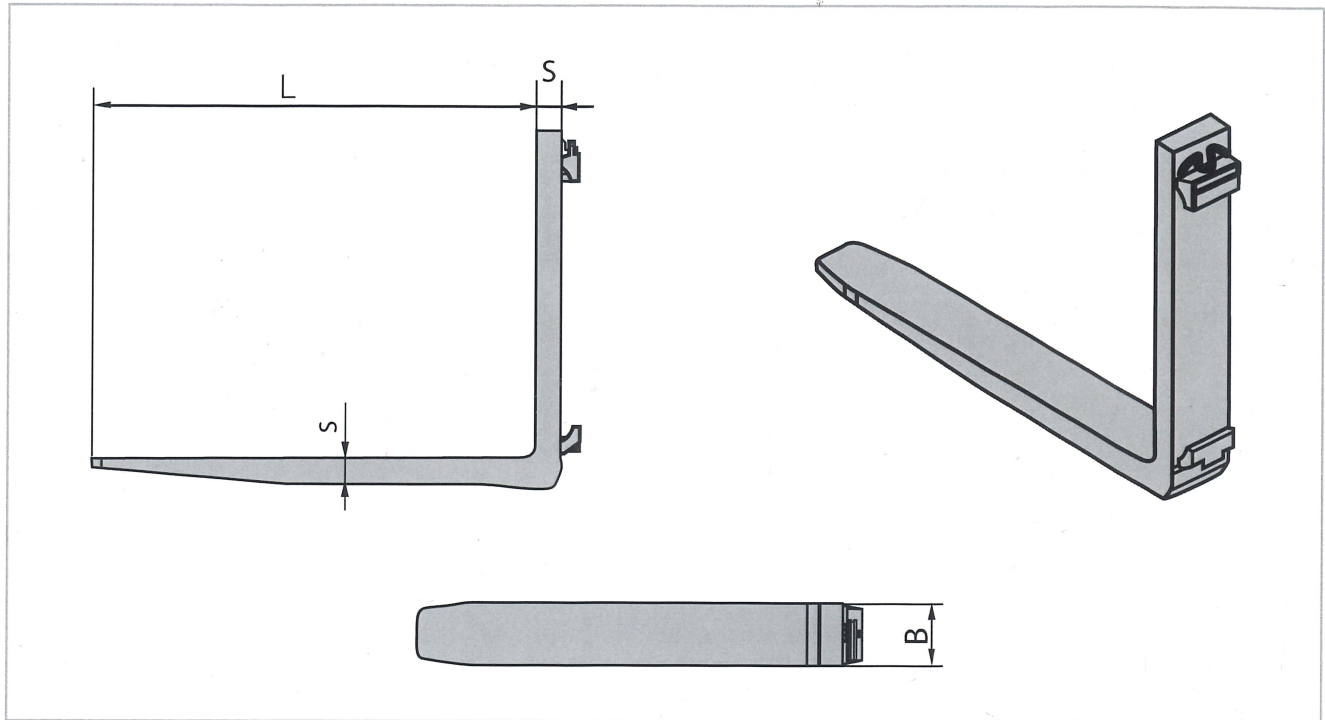


Forks having the top of the blade polished to reduce friction when handling a load.



04

Customer reference

Company:

Address:

Phone-office:

Fax:

Mobile:

E-mail address:

Contact:

Other info:

Technical Data

Length (L) mm

Width (B) mm

Thickness (S) mm

ISO 2328 Class