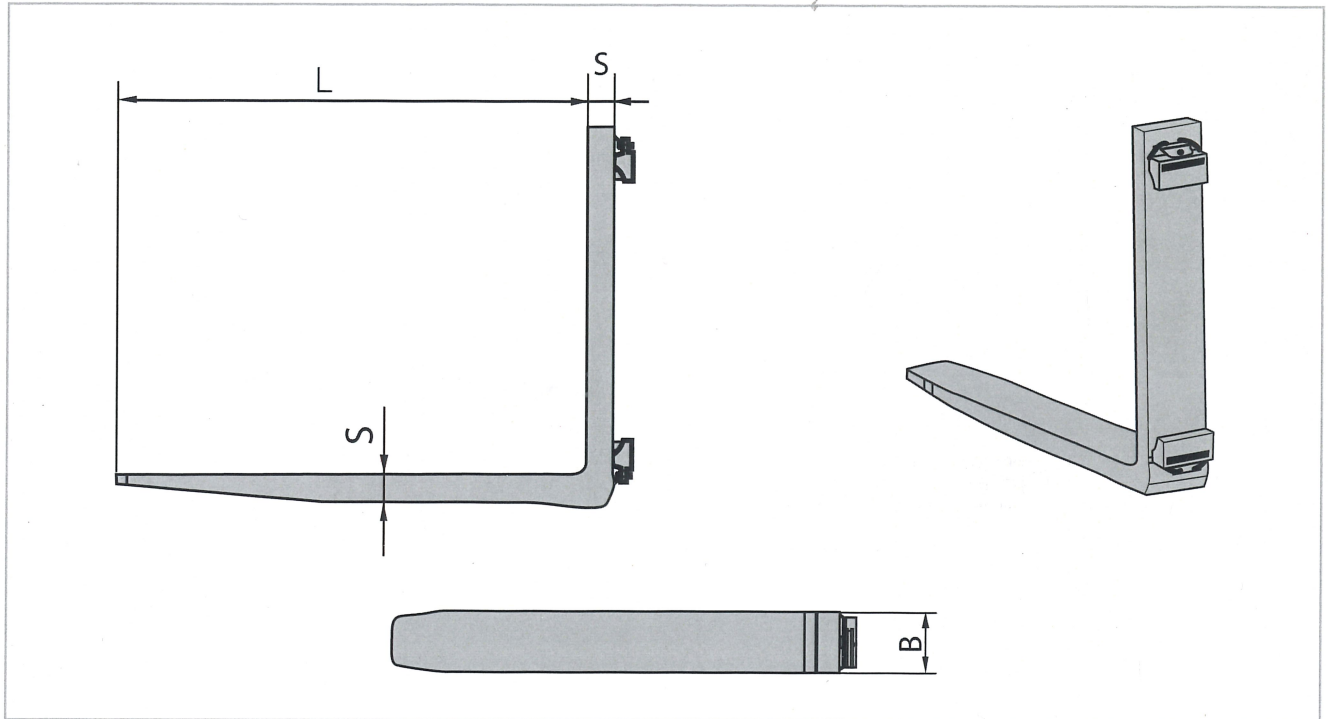


Forks with load-bearing lower hook are used with a rotator for container rotating or emptying.

04



Customer reference

Company:

Address:

Phone-office:

Fax:

Mobile:

E-mail address:

Contact:

Other info:

Technical Data

| | | |
|----------------|----|--|
| Length (L) | mm | |
| Width (B) | mm | |
| Thickness (S) | mm | |
| ISO 2328 Class | | |