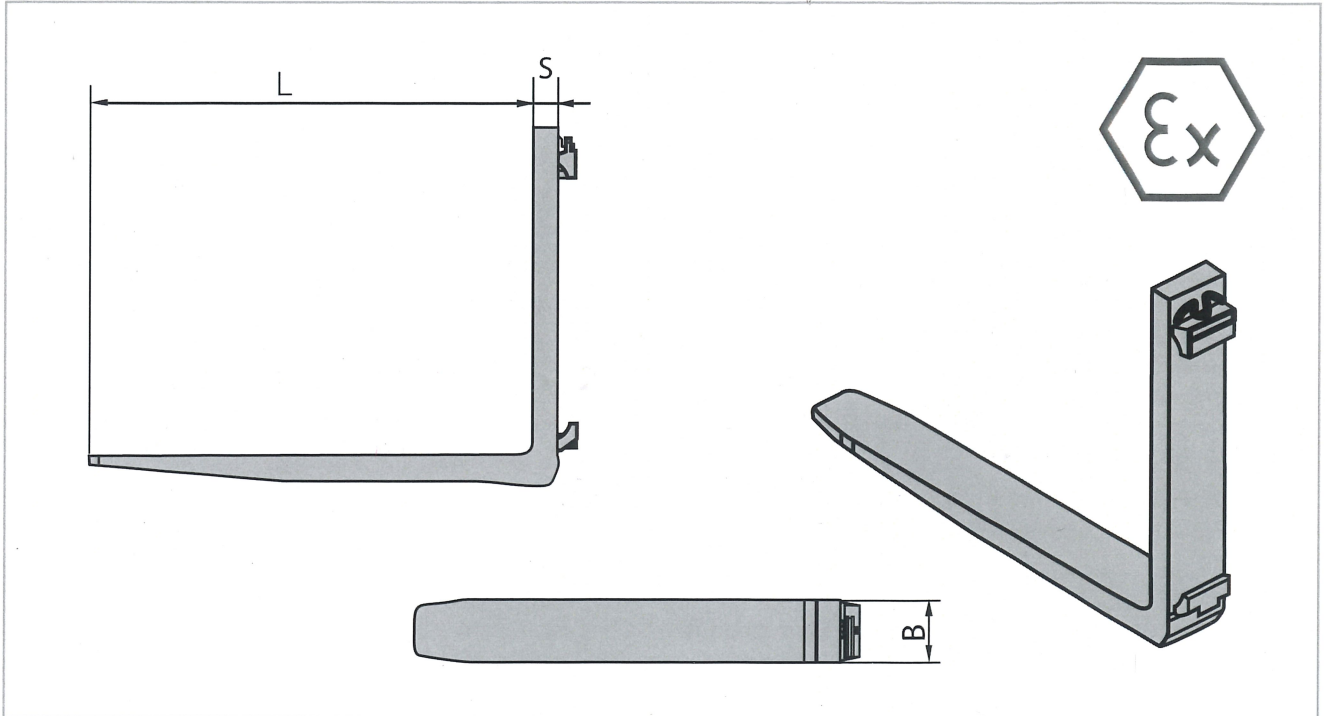


Forks with explosion proof stainless steel cladding are used on lift trucks operating in dangerous environments that must be kept spark free such as chemical and painting plants, weapons and munitions manufacturing plants, mines etc.. Fixed cladding of fork blade and / or fork shank. Stainless steel coating 2 mm.

04



Customer reference
Company:
Address:
Phone-office:
Fax:
Mobile:
E-mail address:
Contact:
Other info:

Technical Data		
Length (L)	mm	
Width (B)	mm	
Thickness (S)	mm	
ISO 2328 Class		