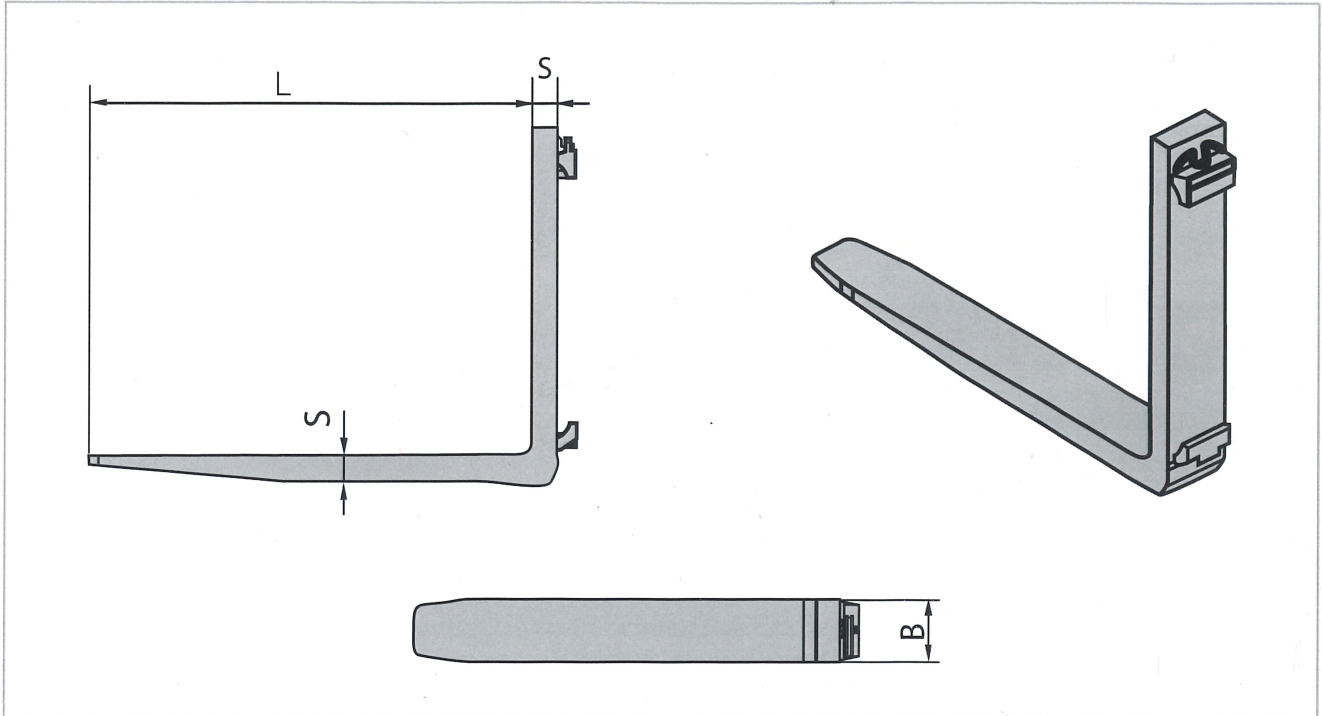


Forks with stainless steel cladding for food industry are used on lift trucks for applications requiring sanitary wash down for constant cleanliness typical in food and pharmaceutical industries. Fixed cladding of fork blade and / or fork shank. Stainless steel coating 2 mm.



04

Customer reference

Company:

Address:

Phone-office:

Fax:

Mobile:

E-mail address:

Contact:

Other info:

Technical Data

Length (L) mm

Width (B) mm

Thickness (S) mm

ISO 2328 Class