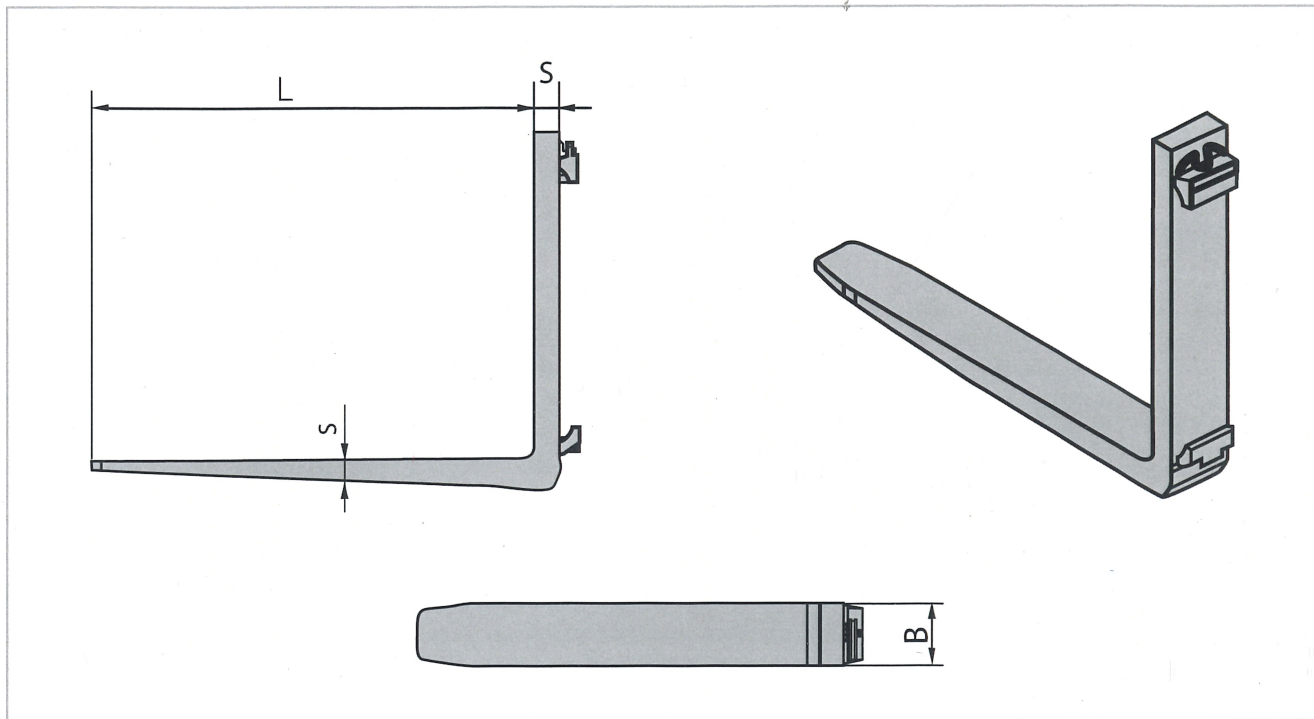


Forks having the top of the blade polished to reduce friction when handling a load, and full bottom taper for easier insertion into a load.



04

**Customer reference**

Company:

Address:

Phone-office:

Fax:

Mobile:

E-mail address:

Contact:

Other info:

**Technical Data**

Length (L)	mm	
Width (B)	mm	
Thickness (S)	mm	
ISO 2328 Class		