

Fork Positioners

with Reach Forks Model 6-26 GT



The fork positioner with reach forks model 6-26GT provides an effective time saving solution to optimize space.

Thanks to the well proven combination between the 6-26 fork positioner and the RS telescopic forks, it is possible to handle loads having different sizes, to stack goods in double deep shelves and to load and unload vehicles from one side only.

The **shaft guided fork positioner** is mainly adopted in the automotive industry, in the airport logistic areas, at forwarders and during logistic processes in general.

The shaft guided fork positioner offers an extremely accurate fork movement, omogeneous and fast. The cylinders have differentiated diameters to ensure perfect synchronization of the forks movement.

Furthermore, the necessary maintenance is very reduced: greasers have an internal grease reservoir, bushings are protected by wipers and in general wear parts have the longest life.

The **reach forks** are a solution to all companies operating in logistics centres, food and beverage industries, manufacturing industries, cold stores and in the transport of goods in general.

Reach Forks are suitable for all types of new and existing lift trucks. Their use in combination with the fork positioner increases the application range:

- trucks and trains can be loaded and unloaded from one side,
- double-deep stacking: increase of storage volumes,
- handling of two pallets at the same time, of a variety of pallets with different sizes.

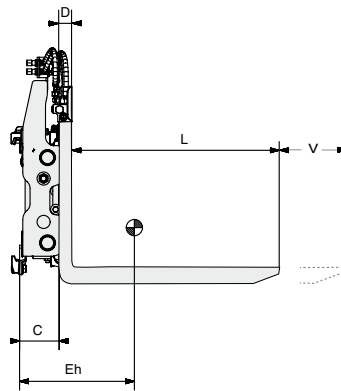
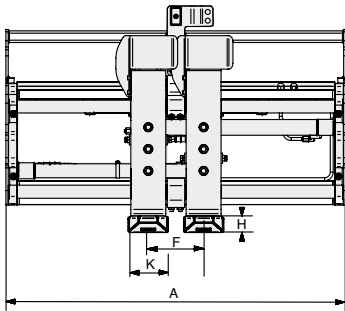
Model RD reach forks are fitted on the round bar of the high precision 6-26 fork positioner.

Reach forks are also available with pallet stop, model RS.



Fork Positioner with Reach Forks

Model 6-26-GT (with Separate Sideshift)



Capacity: 2500 - 4500 Kg

- Fork positioner with separate sideshift.
- Adjust forks within the frame width.
- Excellent visibility, and residual capacity.
- Accurate fork movement as the fork carriers move on a round chromed bar.
- Handling of palletised loads.
- For loading and unloading of vehicles from one side.
- For handling pallets in double deep racking.
- Pallets of different sizes can be handled.
- Integral cylinders, the length of forks can be changed from the driver's seat.

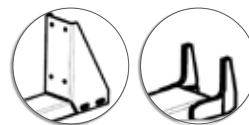
Model	Capacity/ Load Centre	Capacity/ Load Centre	Frame Width	Minimum Carriage Width	Opening Range to Centre of Fork Arm Carrier	Fork Section	Fork Length	Stroke Fork Extension	Thickness	Horizontal Centre of Gravity	Centre of Gravity extended	Weight	Mounting Class
	Q kg/mm	Q' kg/mm	A mm	mm	F mm	K x H mm	L mm	mm	C mm	Eh mm	Eh mm	M kg	ISO 2328
6-2604G-T-a	2.500/500	1.250/1.025	1.040	910	190-850	130x57	1.200	850	179	348	453	341	2A
6-2604G-T-b	2.500/500	1.100/1.175	1.040	910	190-850	130x57	1.350	1.000	179	400	530	357	2A
6-2604G-T-c	2.500/500	1.250/1.025	1.150	960	190-960	130x57	1.200	850	179	339	444	351	2A
6-2604G-T-d	2.500/500	1.100/1.175	1.150	960	190-960	130x57	1.350	1.000	179	389	519	367	2A
6-2604G-T-e	2.500/500	1.250/1.025	1.300	960	190-1.110	130x57	1.200	850	203	318	423	404	2A
6-2604G-T-f	2.500/500	1.100/1.175	1.300	960	190-1.110	130x57	1.350	1.000	203	364	494	420	2A
6-2605G-T-a	2.500/600	1.500/1.025	1.100	910	190-910	130x57	1.200	850	179	342	447	346	2A
6-2605G-T-b	2.500/600	1.300/1.175	1.100	910	190-910	130x57	1.350	1.000	179	393	523	362	2A
6-2605G-T-c	2.500/600	1.500/1.025	1.300	960	190-1.110	130x57	1.200	850	203	318	423	404	2A
6-2605G-T-d	2.500/600	1.300/1.175	1.300	960	190-1.110	130x57	1.350	1.000	203	364	494	420	2A
6-2606G-T-a	3.600/500	1.750/1.025	1.100	890	190-910	130x57	1.200	850	200	321	426	399	3A
6-2606G-T-b	3.600/500	1.530/1.175	1.100	890	190-910	130x57	1.350	1.000	200	368	498	416	3A
6-2606G-T-c	3.600/500	1.750/1.025	1.350	1.090	190-1.160	130x57	1.200	850	204	300	405	443	3A
6-2606G-T-d	3.00/3500	1.530/1.175	1.350	1.090	190-1.160	130x57	1.350	1.000	204	343	473	460	3A
6-2609G-T-a	4.500/600	2.600/1.025	1.250	900	240-1.010	160x57	1.200	850	223	310	415	555	3A
6-2609G-T-b	4.500/600	2.300/1.175	1.250	900	240-1.010	160x57	1.350	1.000	223	347	477	578	3A
6-2609G-T-c	4.500/600	2.600/1.025	1.350	900	240-1.110	160x57	1.200	850	223	304	409	567	3A
6-2609G-T-d	4.500/600	2.300/1.175	1.350	900	240-1.110	160x57	1.350	1.000	223	340	470	590	3A
6-2609G-T-e	4.500/600	2.600/1.025	1.400	1.200	240-1.160	160x57	1.200	850	230	298	403	591	3A
6-2609G-T-f	4.500/600	2.300/1.175	1.400	1.200	240-1.160	160x57	1.350	1.000	230	333	463	614	3A
6-2609G-T-g	4.500/600	2.600/1.025	1.500	1.200	240-1.260	160x57	1.200	850	230	291	396	606	3A
6-2609G-T-h	4.500/600	2.300/1.175	1.500	1.200	240-1.260	160x57	1.350	1.000	230	325	455	629	3A

Notes:

- Two hydraulic functions, one for the fork positioner and one for the reach forks. The separate sideshift is actuated by the solenoid valve, included into the supply.
- The unit has a separate sideshift, stroke 100 + 100 mm.
- Lower hooks adjustable.
- Q= capacity with closed forks.
- Q'= capacity at forks maximum extension.
- Reach forks are secured with 3 bolts.
- External forks are equipped with lower wear stripes.
- The reach forks are equipped with a flow divider valve for synchronized fork movement.

On request:

- Different fork positioner widths.
- Different reach fork lengths.
- Load backrest.
- Quick disconnect lower hooks.
- Version with pallet stop.



BOLZONI S.p.A.

I CASONI 29027 PODENZANO - PIACENZA (ITALIA) Tel. +39 0523 555511- Fax +39 0523 524087

sales.it@bolzonigroup.com www.bolzonigroup.com

BOLZONI
AURAMO