

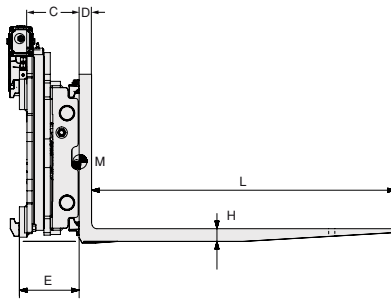
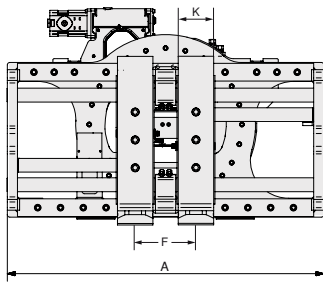


The MEYER high performance fork positioner 360° can hydraulically adjust the fork spread within its chassis width. In addition the 360° continuous rotation enables flexibility and discharge. The Shaft Guide Concept with solid material hard-chromed shafts and long-life bushings ensures a clean working environment and fast operation speed with synchronal fork travel. The optimised design combines highest robustness with an optimum of visibility and residual capacity on the forklift truck.

A separate sideshift is also available. The unit is not suitable for clamping or squeezing.

Fork Positioners, 360° rotating

Model 5-25 G/F-Z (with bolt-on forks)



Range: 1500 kg - 5000 kg

Plus:

- The MEYER fork positioner (bar type) can hydraulically adjust the spacing of the forks within its chassis width. The rotating fork positioner enables the hydraulic adjustment of the forks within the width of the truck. In addition the 360° continuous rotation enables flexibility and discharge. A separate sideshift is also available. The unit is not suitable for clamping or squeezing.

	Model	Capacity	Load Centre	Mounting Class	Chassis Width	Required Truck Carriage Width	Opening Range to Centre of Fork Arm Carrier min.	Opening Range to Centre of Fork Arm Carrier max.	Fork Section	Fork Length	Fork Upright	Load Centre	Horizontal Centre of Gravity	Weight	
															Q kg
	a	5-2515G-Z	1500	500	2A	1000	580	190	810	120x40	1.200	40	208	231	398
	b	5-2515G-Z	1500	500	2A	1100	580	190	910	120x40	1.200	40	208	230	405
	c	5-2515G-Z	1500	500	2A	1200	580	190	1010	120x40	1.200	40	210	226	432
Additional price per 100 mm fork length up to and including 2400 mm															
	a	5-2522G-Z	2200	500	2A	1100	580	190	910	120x45	1.200	45	208	244	424
	b	5-2522G-Z	2200	500	2A	1200	580	190	1010	120x45	1.200	45	208	240	447
	c	5-2522G-Z	2200	500	2A	1300	580	190	1110	120x45	1.200	45	210	238	456
Additional price per 100 mm fork length up to and including 2400 mm															
	a	5-2535G-Z	3500	500	3A	1100	870	190	910	120x50	1.200	50	226	230	549
	b	5-2535G-Z	3500	500	3A	1200	870	190	1010	120x50	1.200	50	229	226	575
	c	5-2535G-Z	3500	500	3A	1300	870	190	1110	120x50	1.200	50	229	224	585
Additional price per 100 mm fork length up to and including 2400 mm															
	a	5-2540G-Z	4000	600	3A	1250	870	240	1010	140x50	1.200	50	236	239	649
	b	5-2540G-Z	4000	600	3A	1350	870	240	1110	140x50	1.200	50	236	237	659
	c	5-2540G-Z	4000	600	3A	1450	870	240	1210	140x50	1.200	50	250	233	697
Additional price per 100 mm fork length up to and including 2400 mm															
	a	5-2512F-Z	5000	600	4A	1300	1100	230	1050	150x60	1.200	60	257	223	1100
	b	5-2512F-Z	5000	600	4A	1400	1100	230	1150	150x60	1.200	60	257	220	1127
	c	5-2512F-Z	5000	600	4A	1500	1100	230	1250	150x60	1.200	60	257	217	1154
	d	5-2512F-Z	5000	600	4A	1600	1100	230	1350	150x60	1.200	60	257	214	1181
Additional price per 100 mm fork length up to and including 2400 mm															

Notes:

- Additional Hydraulics required
- >two for use of positioning and rotating functions
- Hydraulic flow and operating pressure

Options:

- Separate, sideshift valve with rear plate (further add-on hydraulics or solenoid valve required)
 - ISO II
 - ISO III
- Solenoid valve
- Solenoid valve control kit (cable drum, push button, relay)
- Quick disconnect lower hooks
 - ISO II / III
- Motor and brake protection
- Fisheries Specifications
- Anti-slip surface coating of the forks