

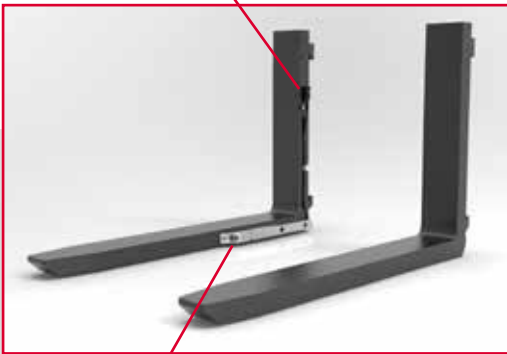
Easy-FORK Vision Systems

Fork mounted side camera

DESIGNED FOR ALL FORKLIFT TRUCKS

ROBUST DESIGN BOLZONI FORKS,
AVAILABLE IN DIFFERENT SECTIONS AND
LENGTHS

Well protected cabling inside the fork



Waterproof and shock resistant camera



Easy-FORK Vision Systems significantly increase safety in the storage areas.

The high quality fork mounted side camera is a great help to the forklift truck driver during loading, unloading and warehousing operations, in particular when moving pallets at high levels on shelves.

Thanks to the camera position, the driver can have a clear view on both forks, with a horizontal 52° viewing angle, while maintaining the correct ergonomic position on the seat.

Camera images are displayed on a 7 inch. monitor installed inside the driver cabin. The connection between camera and monitor can be wireless (standard) or through a reinforced cable and cable-reel.

Easy-FORK are factory and aftersales solutions, available in customized and adapted configurations (cable reel as option).

BOLZONI

Technical features



Camera:

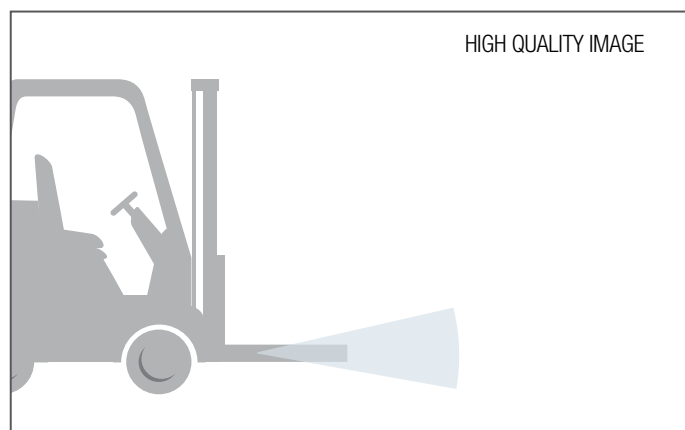
- Waterproof IP69K
- Vibration 10G & Shock 100G
- Operating temperature
-40°C to +85°C
-40°F to +185 F.
- Mounted on the inner side of the right fork with a 52° angle



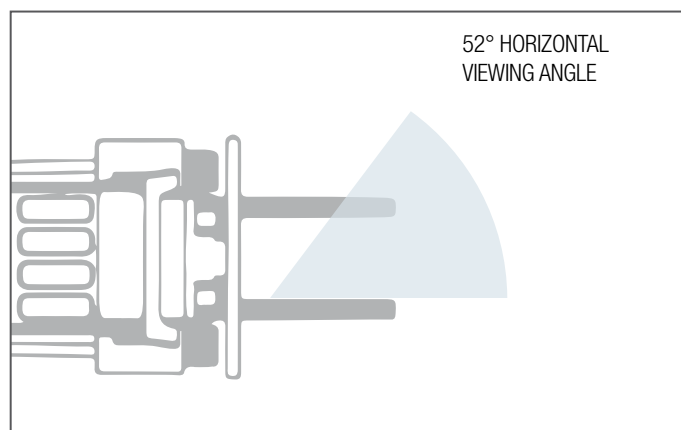
Monitor:

- High-resolution 7" TFT LCD screen
- 16:9 display
- Supplied with metallic support
- 5 language display selection
- Operating temperature:
- 30°C to +70°C / 22°F to +158°F

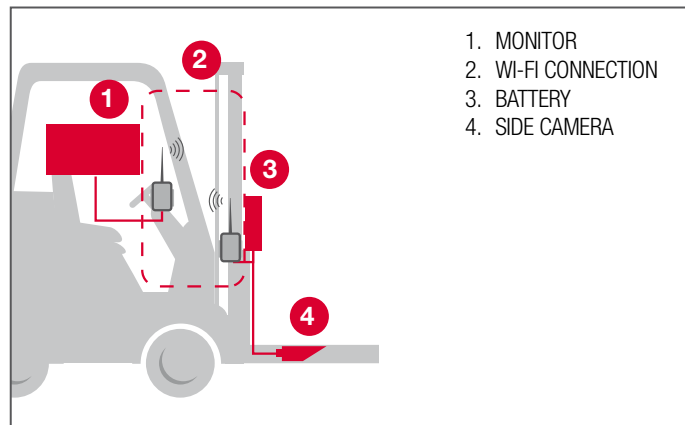
VIEWING ANGLE



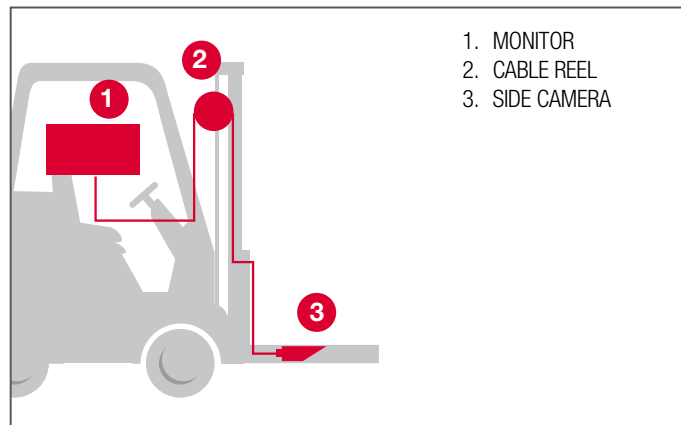
SIDE FORK CAMERA VISIBILITY



CONNECTION SYSTEM: WI-FI



CONNECTION SYSTEM: CABLE REEL



The Easy-Fork Vision Systems range includes the Side fork camera, the Tip fork camera, and a modular solution to be installed on the fork carriage including Front camera and laser.

Options:

- Cable reel for wired application (wireless system as standard)
- Different cable lengths
- Digital video recorder with signal splitter.

BOLZONI S.p.A.

VIA I MAGGIO, 103 - CASONI DI PODENZANO -
29027 PIACENZA (ITALIA)

Tel. +39 0523 55 55 11 - Fax +39 0523 52 40 87

www.bolzonigroup.com - sales@bolzonigroup.com