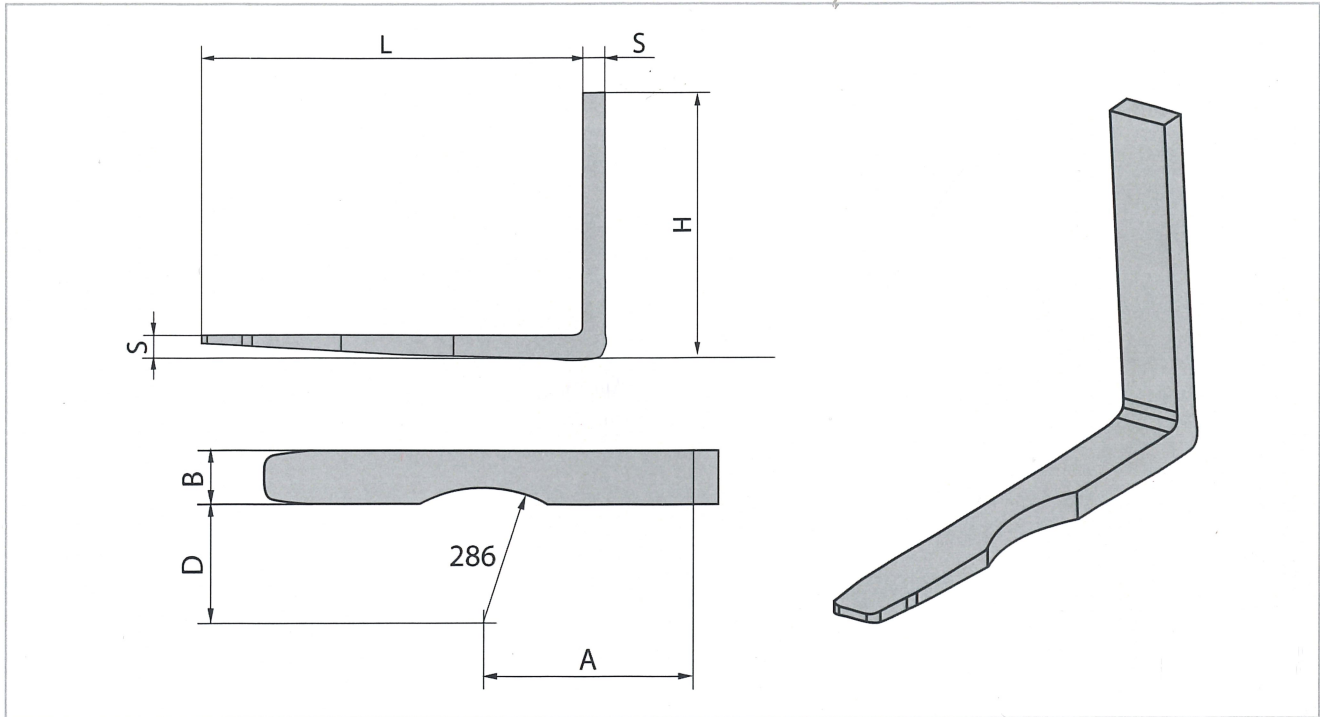


Drum handling forks are used for lifting one or two drums at one time.



04

Customer reference

Company:

Address:

Phone-office:

Fax:

Mobile:

E-mail address:

Contact:

Other info:

Technical Data

Length (L) mm

Width (B) mm

Thickness (S) mm

Back height (H) mm

Drum position in depth (A) mm

Drum inset in the fork blade (D) mm