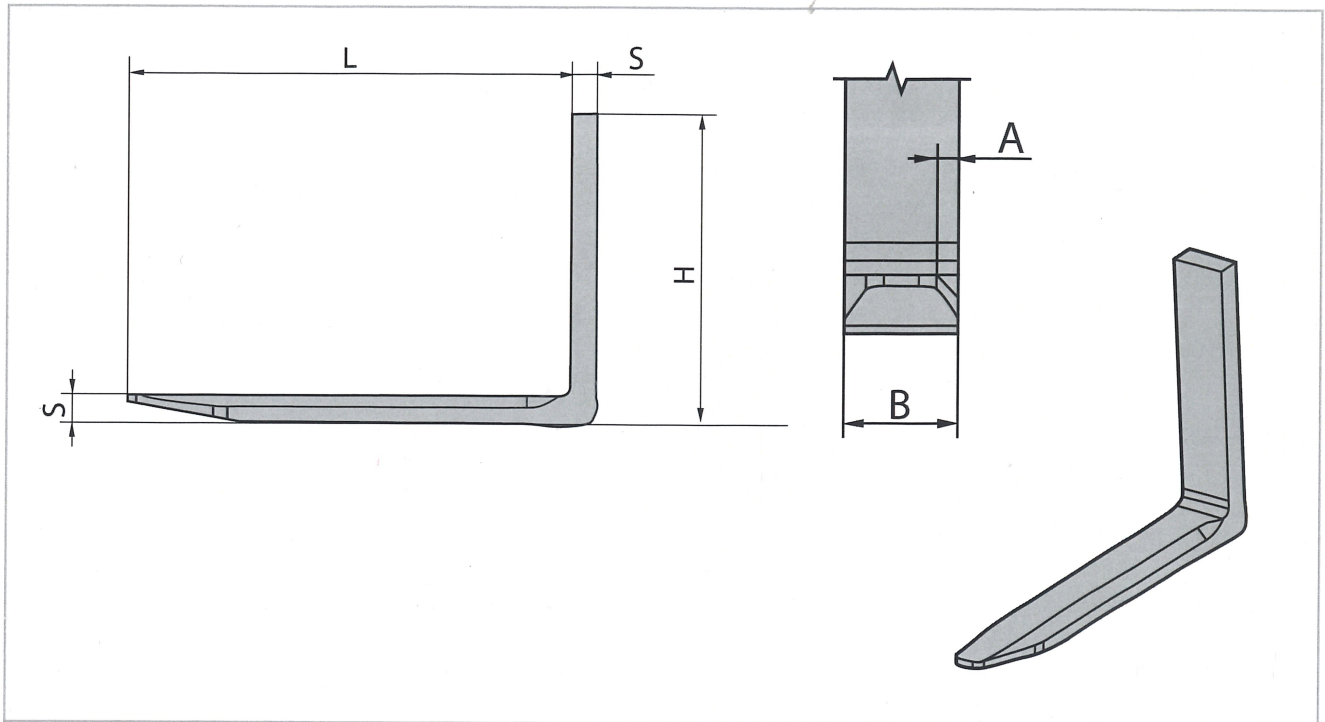


Coil handling forks are used to handle steel coils, reels etc

04



### Customer reference

Company:

Address:

Phone-office:

Fax:

Mobile:

E-mail address:

Contact:

Other info:

### Technical Data

Length (L)	mm	
Width (B)	mm	
Thickness (S)	mm	
Back Height (H)	mm	
Chamfer depth 45 degree (A)	mm	