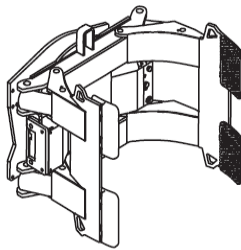
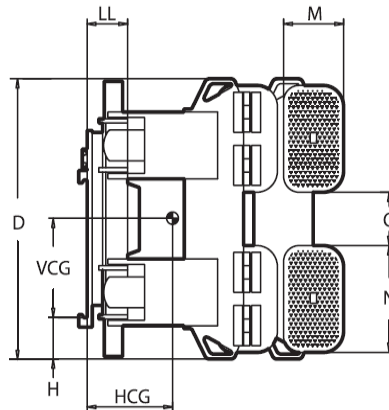
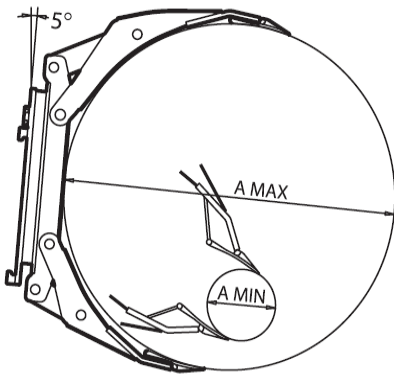


(see also page 1-47)



Range: 2200 Kg - 5600 Kg

Plus:

- 180-degree rotation paper roll clamp for vertical and horizontal handling of single rolls.
- Microprocessor control system to control the clamping force. Minimized clamping force prevents paper roll out-of-roundness.
- Pivoting arm movement. Short and long arms. Several arm and contact pad options in standard series.

Model	Capacity	Load Centre	Roll Range	Height	Weight	Horizontal Centre of Gravity	Vertical Centre of Gravity	Effective Thickness	Contact Pads	Contact Pad Gap	Mounting Height	Mounting Class
	Q kg	BP mm	A mm	D mm	W Kg	HCG mm	VCG mm	LL mm	M x N mm	O mm	H mm	ISO 2328
CTXAR-22RH-13	2.200	650	250-1.300	830	635	247	360	180	220x300	200	60	2 / 3 A
CTXAR-30RH-13	3.000	650	250-1.300	1.035	790	253	360	190	240x400	200	160	2 / 3 A
CTXAR-37RH-16	3.700	800	250-1.600	1.135	1.000	310	435	190	280x400	300	130	3 / 4 A
CTXAR-40RH-16	4.000	800	250-1.600	1.240	1.175	330	405	210	280x500	200	205	3 / 4 A
CTXAR-40RH-13	4.600	650	250-1.300	1.240	1.145	300	405	210	280x500	200	205	3 / 4 A
CTXAR-45RH-13	5.000	650	250-1.300	1.240	1.205	290	395	212	280x500	200	220	3 / 4 A
CTXAR-53RH-13	5.600	650	400-1.300	1.240	1.445	290	520	240	280x500	200	100	4 A

Notes:

- Two hydraulic functions required.
- Consult Bolzoni for hydraulic pressure and flow rate recommendations.
- Standard contact pads: rubber-faced.
- For bilge handling, 5-degree forward tilt on upright is required.
- CTXR Series clamps require special installation. Consult Bolzoni for details. Please note that the CTX clamping force control system is also available for several other Bolzoni pivot arm paper roll clamp models. Also for jumbo and multiple paper roll clamps. See page 1-47.
- Following information required when ordering the clamp: lift truck voltage, mast specifications, hydraulic specifications.
- Contact Bolzoni for more information.

Options:

- Special roll ranges.
- Special arms for 0-degree tilt.
- Contact pad options:
 - steel-sprayed
 - polyurethane-faced
 - rubber faced