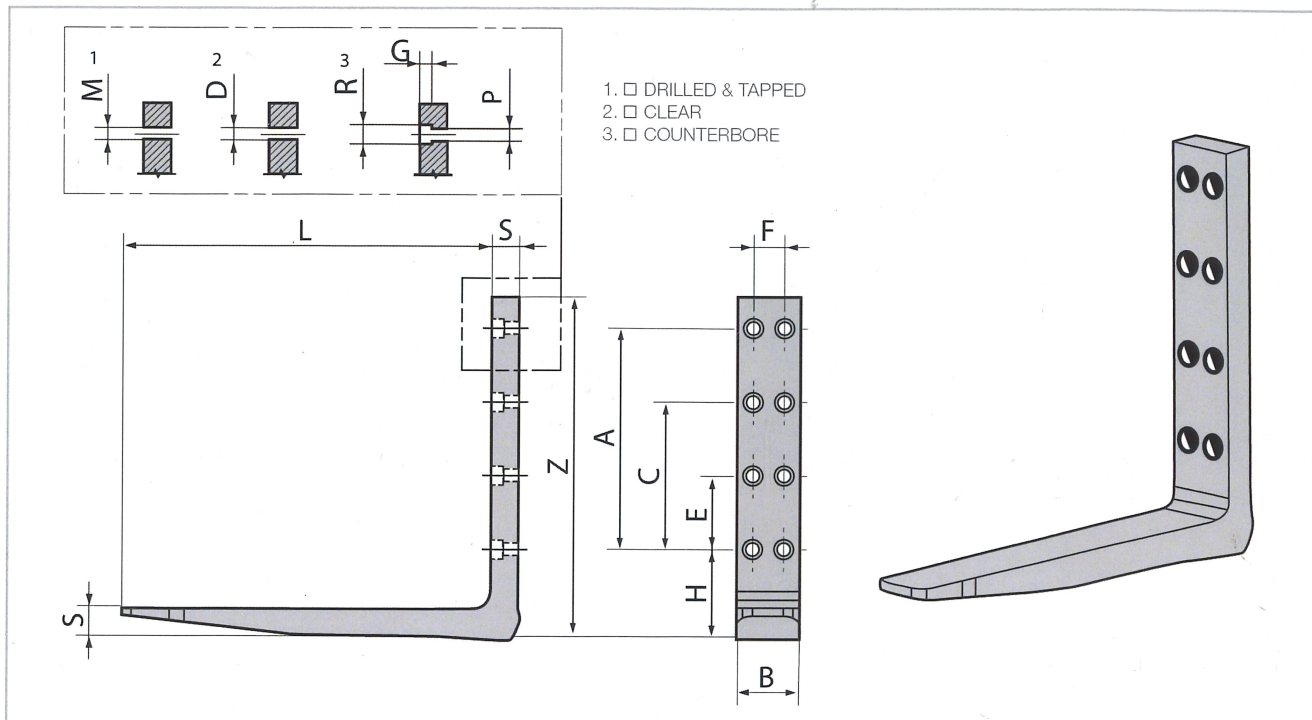


Bolt-on forks are fixed to the lift truck carriage/fork carrier with bolts.



04

Customer reference

Company:

Address:

Phone-office:

Fax:

Mobile:

E-mail address:

Contact:

Other info:

Technical Data

Length (L)	mm	
Width (B)	mm	
Thickness (S)	mm	
Back height (Z)	mm	
Drilling height (H)	mm	
Drilling height (E)	mm	
Drilling height (C)	mm	
Drilling height (A)	mm	
Drilling c/c position (F)	mm	
Thread (M)	mm	
Drilling diameter (D)	mm	
Head diameter (R)	mm	
Head height (G)	mm	
Drilling diameter (P)	mm	