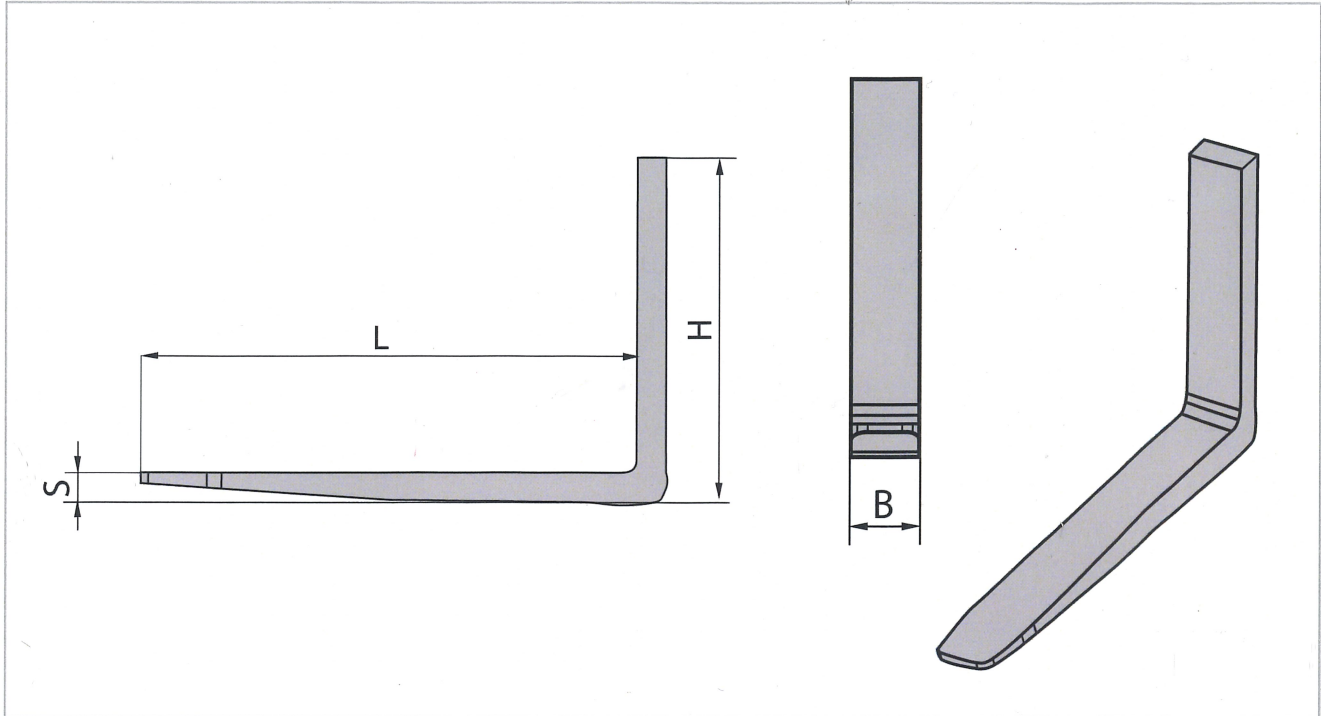


Blank forks are without hooks. Welded or bolt-on, they are used on clamping or fork positioning attachment or for special mounting applications.



04

Customer reference

Company:

Address:

Phone-office:

Fax:

Mobile:

E-mail address:

Contact:

Other info:

Technical Data

Length (L) mm

Width (B) mm

Thickness (S) mm

Back height (H) mm