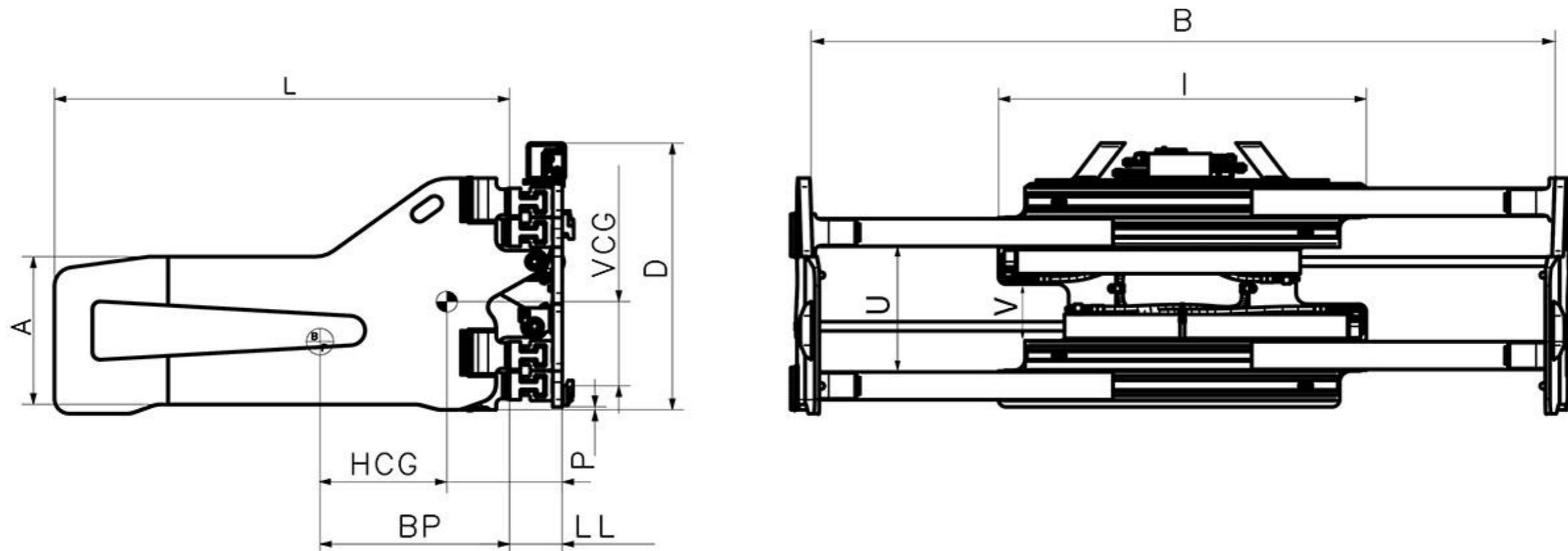




Notes:

- Two hydraulic functions required.
- E = arm thickness without rib.
- T = arm thickness at base without rib.
- Arms welded to the guides
- Check valve and pressure adjustment valve.
- Integral side shift.

Bale Clamp – Side Shifting



Model	Code	Capacity	Load Centre	Opening Range in to in	Arm Dimensions	Frame Width	Weight	Mounting Class
		Q kg	BP mm	B mm	LxAxE-T mm	I mm	W kg	ISO 2328
LC 14 G6A	58-181	1400	500	580-1810	1200x400x30x45	930	418	II A
LC 22 G6A	64-197	2200	500	640-1970	1200x400x30x45	970	478	II A
LC 22 G6A	47-176	2200	500	470-1760	1200x400x30x45	1100	495	II A
LC 28 G6B	64-197	2800	500	640-1970	1200x400x40x47	1020	560	III A
LC 32 G8B	64-237	3200	600	640-2370	1500x450x45x75	1420	1000	III A