

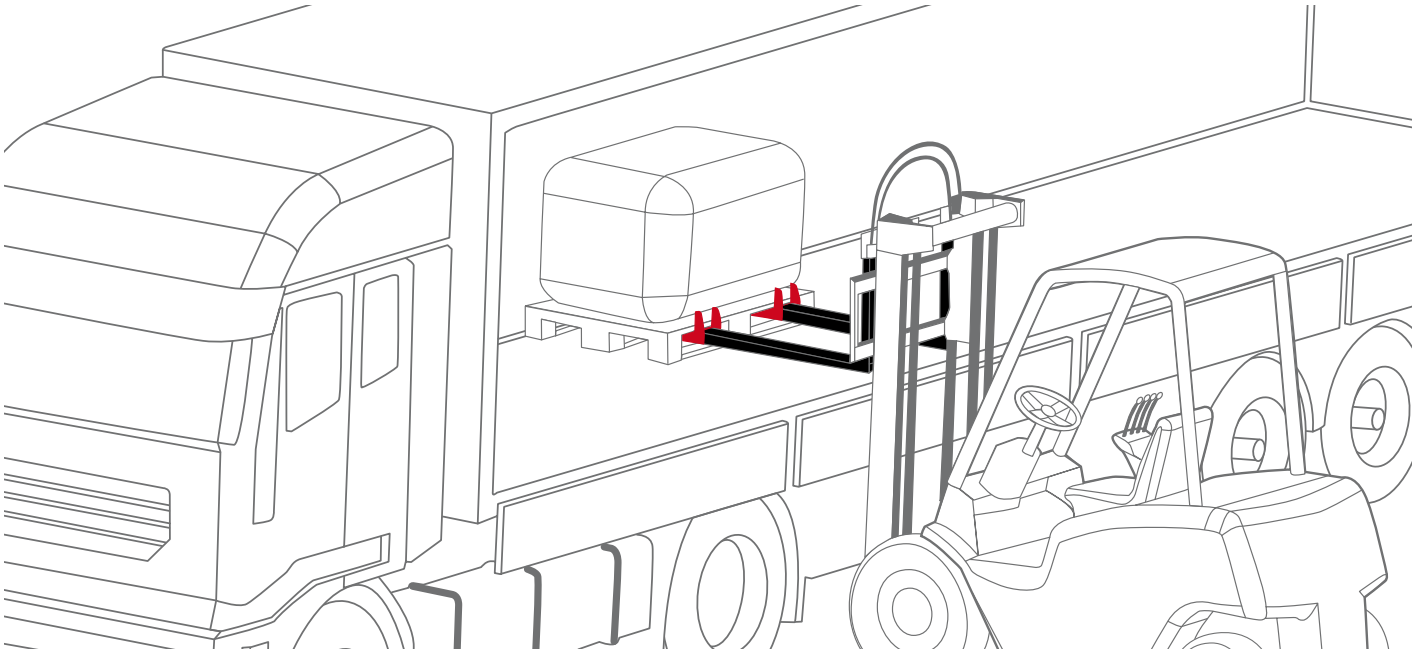
Reach Forks

Models RS / RD



Reach your goals

Increase productivity and save money



Applications

The Bolzoni Auramo Reach Forks provide an effective time-saving and space optimisation solution to all companies operating in logistics centers, food and beverage industries, manufacturing industries, cold stores, storage of goods on multiple pallets and in transport of goods in general.

Reach Forks are suitable for all types of new and existing lift trucks. Their use in combination with fork positioners increases the application range.



Trucks and trains can be loaded and unloaded from one side: reduction in turnaround space with increase of storage space, saving in time, saving in fuel/battery consumption, manoeuvring reduction with safety improvement.



Double-deep stacking: increase of storage volumes and remarkable space saving, particularly when combining the Bolzoni Auramo Reach Forks with a reach truck able to work in narrow aisles.



Pallet handling safe handling of a variety of pallets with different sizes without damages to pallets or goods.

Features

Smoothness and damage-free handling

- Friction has been reduced to a minimum by the use of replaceable sliding pads in special nylon material mounted on the tip of the fixed fork.
- Outer fork with rounded edges.

Strength and longer lifetime

- Strong structure thanks to a single cylinder fitted in the fixed element.
- Chromed cylinder rod with reinforced bolt-on head.
- Drilled and polished cylinder chamber in the fork.
- Outer forks reinforced with a bottom 6 mm Hardox plate.
- Fixed fork with reinforced heel.
- Main components included in the forks avoiding risk of damage.

Easy-to-service

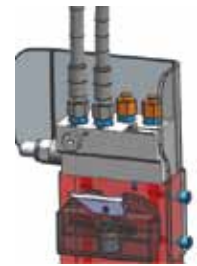
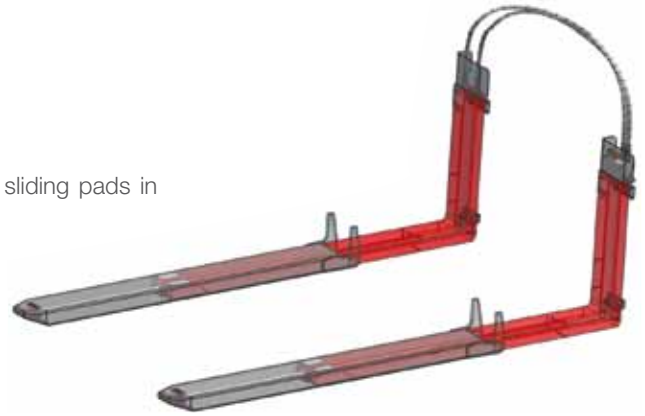
- Easy-to-dismantle mobile part by simply removing a retaining pin.
- Hydraulic feeding circuit drilled in the fork up to the top of the shank.
- Less hydraulic components thanks to one single cylinder in each fork for the sliding movement.
- Valve block directly flanged on left or right fork.
- Valve and hose fitting protection.

Synchronized fork movement

- Guaranteed by different diameter cylinders on class ISO2 and by flow divider valve on class ISO3.

Features of use

- Minimum thickness suitable for any type of pallet.
- Fork length is adjustable from the driver's seat.
- Thanks to hydraulic operation, increased safety and time saving compared to the use of manual forks extensions.
- Maximum truck manoeuvrability when forks are in retracted position.



Models



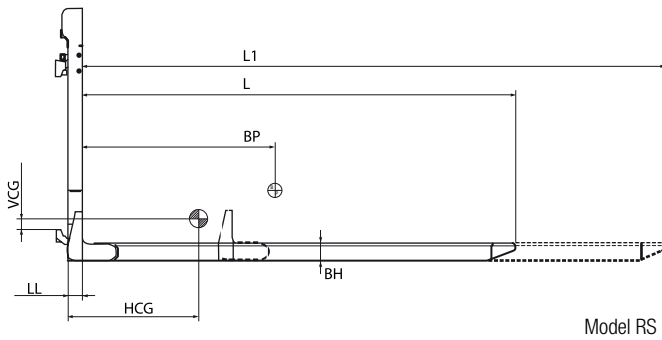
RS Models

- With pallet stop;
- Loading/unloading of vehicles from one side is remarkably time-saving;
- Handling pallets in two deep stacks, or facilitates access when there are obstacles in front of racks;
- Pallet stop provides accurate positioning of the loads, and adapts the fork's support surface to the pallet length. Standard version has vertical pallet stop aligned with fork shoulder.

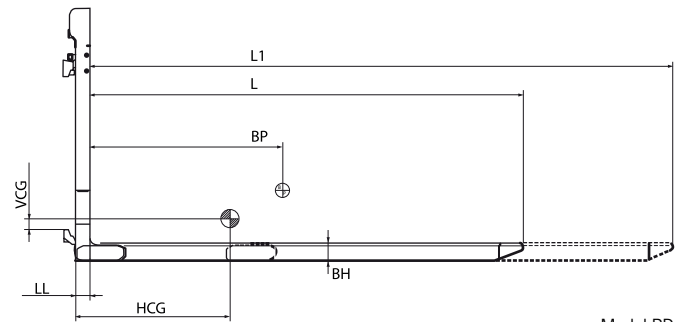


RD Models

- Without pallet stop;
- Handling two pallets at a time reduces the number of lift truck journeys and handling time by 50%;
- Ideal for bulky loads and different size pallets



Model RS



Model RD

Model	Capacity/ Load Centre	Capacity/ Load Centre	Length Closed	Length Extended	Stroke	Section	Weight	Effective Thickness	Contact Pads	Vertical Centre of Gravity	Contact Pad Gap
	Q kg	Q' kg	L mm	L' mm	S mm	BA x BH mm	W Kg	LL mm	HCG mm	VCG mm	ISO 2328

Models for loads in double depth

RS20E0A - 1100	2000/600	800/1450	1100	1850	750	130 x 57	152	45	395/565	31	2 A
RS20E0A - 1200	2000/600	800/1450	1200	2050	850	130 x 57	161	45	440/645	19	2 A
RS20E0A - 1350	2000/600	650/1750	1350	2350	1000	130 x 57	175	45	515/755	11	2 A
RS25E0A - 1100	2500/600	1100/1450	1100	1850	750	130 x 57	152	45	395/565	31	2 A
RS25E0A - 1200	2500/600	1100/1450	1200	2050	850	130 x 57	161	45	440/645	19	2 A
RS25E0A - 1350	2500/600	900/1750	1350	2350	1000	130 x 57	175	45	515/755	11	2 A
RS35E0B - 1100	3500/600	1400/1450	1100	1850	750	130 x 57	162	45	370/535	70	3 A
RS35E0B - 1200	3500/600	1400/1450	1200	2050	850	130 x 57	171	45	419/610	64	3 A
RS35E0B - 1350	3500/600	1250/1750	1350	2350	1000	130 x 57	185	45	490/720	54	3 A
RS45E0B - 1100	4500/600	1600/1450	1100	1850	750	160 x 57	191	45	370/545	31	3 A
RS45E0B - 1200	4500/600	1600/1450	1200	2050	850	160 x 57	202	45	415/615	26	3 A
RS45E0B - 1350	4500/600	1500/1750	1350	2350	1000	160 x 57	218	45	485/730	18	3 A

Models for two pallets

RD20E0A - 0800	2000/600	2000/600	800	1200	400	130 x 57	115	45	315/475	67	2 A
RD20ENA - 1100	2000/600	1500/800	1100	1600	500	130 x 57	147	45	395/555	31	2 A
RD20E0A - 1100	2000/600	1300/925	1100	1850	750	130 x 57	147	45	395/565	31	2 A
RD20E0A - 1200	2000/600	1200/1025	1200	2050	850	130 x 57	156	45	440/645	19	2 A
RD20E0A - 1350	2000/600	1100/1175	1350	2350	1000	130 x 57	170	45	515/755	11	2 A
RD25E0A - 1100	2500/600	1650/925	1100	1850	750	130 x 57	152	45	395/565	31	2 A
RD25E0A - 1200	2500/600	1500/1025	1200	2050	850	130 x 57	161	45	440/645	19	2 A
RD25E0A - 1350	2500/600	1300/1175	1350	2350	1000	130 x 57	175	45	515/755	11	2 A
RD35E0B - 0800	3500/600	3500/600	800	1200	400	130 x 57	125	45	305/465	85	3 A
RD35ENB - 1100	3500/600	2600/800	1100	1600	500	130 x 57	157	45	370/525	70	3 A
RD35E0B - 1100	3500/600	2300/925	1100	1850	750	130 x 57	157	45	370/535	70	3 A
RD35E0B - 1200	3500/600	2100/1025	1200	2050	850	130 x 57	166	45	419/610	64	3 A
RD35E0B - 1350	3500/600	1800/1175	1350	2350	1000	130 x 57	180	45	490/720	54	3 A
RD45E0B - 1100	4500/600	2900/925	1100	1850	750	160 x 57	186	45	370/545	31	3 A
RD45E0B - 1200	4500/600	2600/1025	1200	2050	850	160 x 57	197	45	415/615	26	3 A
RD45E0B - 1350	4500/600	2300/1175	1350	2350	1000	160 x 57	213	45	485/730	18	3 A

Model	Oil Flow Rate		Oil Pressure		Hydraulic Functions
	min. l/min	max. l/min	min. MPa	max. MPa	
RS / RD 20 - 25 - 35 - 45	15	25	12.0	25.0	1

Notes:

- One hydraulic function.
- Q = Capacity when closed.
- Q' = Capacity at maximum extension.
- Models RS/RD 20 are equipped with cylinders having different diameters for synchronized fork movement.
- Models RS/RD 35 and 45 are equipped with a flow divider valve for synchronized fork movement.

Options:

- Different lengths
- Different strokes
- Vertical 150 mm thick pallet stop in the upper part of the sliding fork, giving a greater pallet support.
- Load backrest, to support the load during extension and retraction operations.
- ISO 2328 mounting, class B.

