

Fork Positioners

Models SF-Fi



The Bolzoni Auramo SF-Fi model fork positioners are designed for heavy-duty use. They combine two fork-lift functions - fork positioning and sideshifting - into single integrated tools for all pallet handling applications.

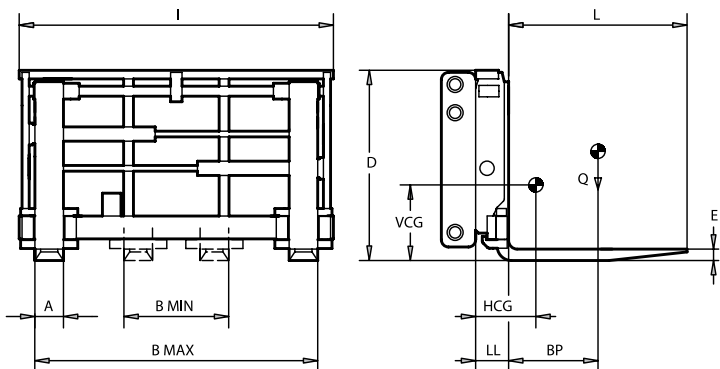
Hydraulic fork positioning offers an easy way to adjust fork opening to varying pallet sizes. The integrated sideshift reduces the need for lift truck manoeuvring. The simultaneous operation of the forks is secured by a special hydraulic system equipped with a flow divider valve.

SF-Fi model fork positioners have bar-mounted forks sliding on special steel bar.

Rigid construction and easily maintained, greasable fork bearings provide long life for the attachment.

This model includes an integral mounting adapted to the lift truck as standard equipment. This ensures the best possible visibility and minimized overall dimensions. Other special mounting models, such as Pin Type and Terminal West are available on request.





Range: 4000 Kg - 7000 Kg

Plus:

- Sideshifting heavy-duty fork positioner with bar mounted forks.
- Integral sideshift.
- Integral mounting adapted to the lift truck. Minimal lost load distance ensures maximum residual lifting capacity.
- Built-in sideshift improves handling.

Model	Capacity	Load Centre	Opening Range	Fork Length x Section	Sideshift Stroke	Frame Width	Height	Weight	Horizontal Centre of Gravity	Vertical Centre of Gravity	Effective Thickness	Mounting Class
	Q kg	BP mm	B mm	L x A x E mm	S mm	I mm	D mm	W Kg ②	HCG mm ②	VCG mm ②	LL mm	ISO 2328
SF40Fi12	4000	600	370-1070	1200x125x50	③	1200	793	362	190	299	145	①
SF40Fi13	4000	600	370-1170	1200x125x50	③	1300	793	373	187	304	145	①
SF40Fi14	4000	600	370-1270	1200x125x50	③	1400	793	384	183	308	145	①
SF40Fi15	4000	600	370-1370	1200x125x50	③	1500	793	395	179	313	145	①
SF40Fi16	4000	600	370-1470	1200x125x50	③	1600	793	407	176	318	145	①
SF40Fi17	4000	600	370-1570	1200x125x50	③	1700	793	419	173	321	145	①
SF40Fi18	4000	600	370-1670	1200x125x50	③	1800	793	445	170	325	145	①
Forks: Max. length 1600 mm. Add-on price per each 100 mm length increase												
SF50Fi14	5000	600	410-1270	1200x150x50	③	1400	844	425	201	360	145	①
SF50Fi15	5000	600	410-1370	1200x150x50	③	1500	844	437	197	364	145	①
SF50Fi16	5000	600	410-1470	1200x150x50	③	1600	844	449	193	368	145	①
SF50Fi17	5000	600	410-1570	1200x150x50	③	1700	844	459	190	372	145	①
SF50Fi18	5000	600	410-1670	1200x150x50	③	1800	844	470	187	375	145	①
Forks: Max. length 1600 mm. Add-on price per each 100 mm length increase												
SF70Fi18	7000	600	480-1620	1200x150x60	③	1800	862	658	151	418	175	①
SF70Fi19	7000	600	480-1720	1200x150x60	③	1900	862	676	149	421	175	①
SF70Fi20	7000	600	480-1820	1200x150x60	③	2000	862	694	147	424	175	①
SF70Fi21	7000	600	480-1920	1200x150x60	③	2100	862	711	146	427	175	①
SF70Fi22	7000	600	480-2020	1200x150x60	③	2200	862	730	144	430	175	①
SF70Fi23	7000	600	480-2120	1200x150x60	③	2300	862	749	142	433	175	①
SF70Fi24	7000	600	480-2220	1200x150x60	③	2400	862	768	140	436	175	①
Forks: Max. length 2000 mm. Add-on price per each 100 mm length increase												
SF80Fi19	8000	600	480-1720	1200x150x70	③	1900	862	698	179	420	185	①
SF80Fi20	8000	600	480-1820	1200x150x70	③	2000	862	716	176	423	185	①
SF80Fi21	8000	600	480-1920	1200x150x70	③	2100	862	733	174	426	185	①
SF80Fi22	8000	600	480-2020	1200x150x70	③	2200	862	752	171	428	185	①
SF80Fi23	8000	600	480-2120	1200x150x70	③	2300	862	772	170	430	185	①
SF80Fi24	8000	600	480-2220	1200x150x70	③	2400	862	790	168	432	185	①
Forks: Max. length 2000 mm. Add-on price per each 100 mm length increase												
SF120Fi20	12000	600	780-1810	1200x200x75	③	2000	1160	1220	190	362	220	①
SF120Fi21	12000	600	780-1910	1200x200x75	③	2100	1160	1260	187	366	220	①
SF120Fi22	12000	600	780-2010	1200x200x75	③	2200	1160	1300	184	370	220	①
SF120Fi23	12000	600	780-2110	1200x200x75	③	2300	1160	1340	181	373	220	①
SF120Fi24	12000	600	780-2210	1200x200x75	③	2400	1160	1380	178	377	220	①
SF120Fi25	12000	600	780-2310	1200x200x75	③	2500	1160	1420	176	380	220	①
Forks: Max. length 2000 mm. Add-on price per each 100 mm length increase												

Notes:

- Two hydraulic functions required.
- ① Attachment price includes an integral mounting without mast rollers. A complete technical description of the mounting is required. Consult Bolzoni regarding specifications.
- ② Weight and center of gravity (vertical and horizontal) are given without the integral mounting.
- ③ Depending on fork opening position.

Options:

- Special widths.
- Load backrest.
- Available also with fork adapter, at no add-on price (become SFxxAixx). Model SF1020 excluded. Consult Bolzoni regarding specifications.

