

# Fork Positioners

## Models MP



The Bolzoni Auramo MP Series fork positioner provides fast and accurate fork positioning as the forks operate on a round chromed bar with self-lubricating bushings.

In addition to handling the usual palletised loads this unit allows to pick up cylindrical products such as drums and coils to be handled safely by ensuring stability.

Forks are directly welded to the slides, and its perfect

synchronisation movement is given by differentiate diameter cylinders.

The MP fork positioner range provides exceptional visibility thanks to the wide central window and to the sloped shape of the upper frame.

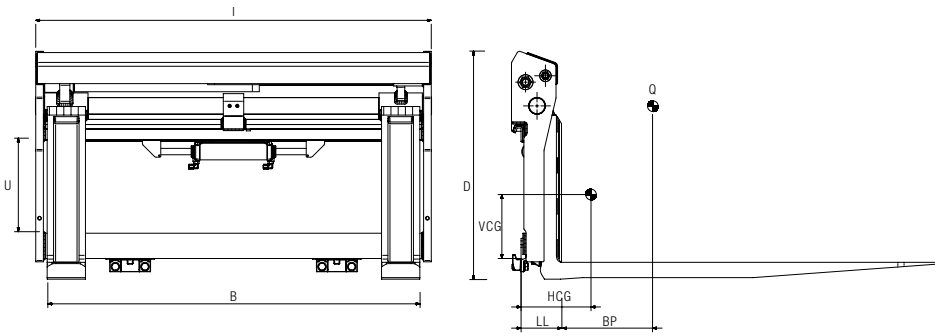
Also available in non sideshifting version, MN model.



**Range:** 2500 - 5000 Kg

**Plus:**

- Separate sideshift.
- Bar mounted forks.
- Accurate fork positioning, operated on a round chromed bar with bushings.
- For handling of palletized loads.
- For handling of horizontal drums and coils with the addition of a check valve.
- Excellent visibility, strength and versatility.
- Forks are included in the supply.



Model	Capacity		Load Centre BP mm	Opening Range B mm	Frame Width I mm	Forks mm	Minimum Carriage Width FL mm	Height D mm	Weight W Kg	Horizontal Centre of Gravity HCG mm	Vertical Centre of Gravity VCG mm	Effective Thickness LL mm	Mounting Class ISO 2328
	Q kg	BP mm											
MP 25 X7A	2.500	500		340-680	750	1.200x120x40	720	730	206	241	184	133	2 A
MP 25 X9A	2.500	500		340-870	940	1.200x120x40	830	730	219	235	190	133	2 A
MP 25 10A	2.500	500		340-970	1.040	1.200x120x40	910	730	225	231	195	133	2 A
MP 25 11A	2.500	500		340-1.080	1.150	1.200x120x40	960	730	233	226	198	133	2 A
MP 25 12A	2.500	500		340-1.175	1.245	1.200x120x40	960	730	268	205	201	139	2 A
MP 25 14A	2.500	500		340-1.330	1.400	1.200x120x40	1.050	730	281	200	203	139	2 A
Forks: max. length 2400 mm. Add-on price per each 100 mm length increase.													
MP 35 10B	3.500	500		345-1.025	1.100	1.200x120x45	890	840	281	221	254	139	3 A
MP 35 11B	3.500	500		345-1.075	1.150	1.200x120x45	890	840	283	220	255	139	3 A
MP 35 12B	3.500	500		345-1.170	1.245	1.200x120x45	1.090	840	288	217	256	139	3 A
MP 35 13B	3.500	500		345-1.275	1.350	1.200x120x45	1.090	840	296	215	257	139	3 A
Forks: max. length 2400 mm. Add-on price per each 100 mm length increase.													
MP 49 11B	4.900	500		410-1.060	1.150	1.200x150x50	850	890	430	220	272	149	3 A
MP 49 12B	4.900	500		410-1.155	1.245	1.200x150x50	900	890	442	217	273	149	3 A
MP 49 13B	4.900	500		410-1.260	1.350	1.200x150x50	970	890	453	214	273	149	3 A
MP 49 15B	4.900	500		410-1.460	1.550	1.200x150x50	1.200	890	478	205	283	149	3 A
MP 49 16B	4.900	500		410-1.570	1.660	1.200x150x50	1.260	890	490	201	286	149	3 A
Forks: max. length 2400 mm. Add-on price per each 100 mm length increase.													
MP 50 11B	5.000	600		410-1.060	1.150	1.200x150x60	850	890	464	227	272	159	3 A
MP 50 12B	5.000	600		410-1.155	1.245	1.200x150x60	900	890	476	223	273	159	3 A
MP 50 13B	5.000	600		410-1.260	1.350	1.200x150x60	1.100	890	487	219	273	159	3 A
Forks: max. length 2400 mm. Add-on price per each 100 mm length increase.													

**Notes:**

- Two hydraulic functions required.
- Sideshift stroke always 100 + 100 mm.
- Weight, effective thickness and centre of gravity are given with forks.

**Options:**

- Special widths.
- Different fork lengths.
- Check valve for low clamping pressure (5,0 MPa).
- Load backrest.
- Model without sideshift (model MN).

