

Fork Positioners

Models MMP



The Bolzoni Auramo MMP Series fork positioner provides fast and accurate fork positioning as the fork carriers are sliding on a chromed bar, with self-lubricating bushings.

Standard lift truck forks perfectly fit the fork carriers, without any modification.

The forks perfect synchronisation movement is given by differentiate diameter cylinders. Furthermore, the fork carriers show an oversized structure and consequently this model can

be considered the right attachment for "heavy duty" handling needs.

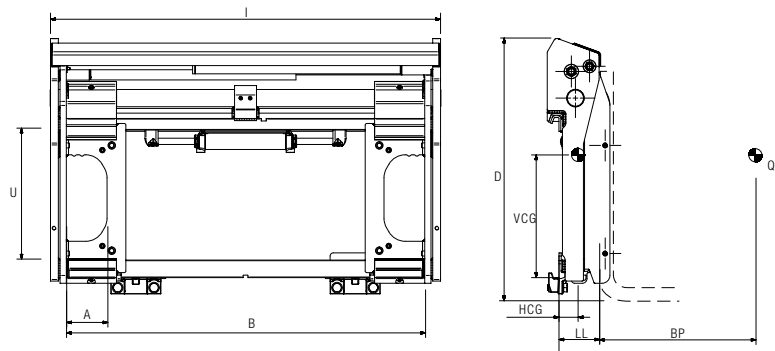
Together with fork positioner typical advantages of operator safety, productivity increase and product damage reduction, the MMP Series fork positioner is easy to use. With an excellent visibility, it offers great advantages for the lift truck operator.

Also available in non sideshifting version, MMN model.



**BOLZONI
AURAMO**





Range: 2500 - 4900 Kg

Plus:

- Separate sideshift.
- Standard forks of the truck can be used without modification.
- Fork carriers sliding on a chromed bar with bushings.
- Excellent visibility, strength and versatility.

Model	Capacity	Load Centre	Opening Range	Frame Width	Minimum Carriage Width	Height	Weight	Horizontal Centre of Gravity	Vertical Centre of Gravity	Effective Thickness	Support Width	Mounting Class
	Q kg	BP mm	B mm	I mm	FL mm	D mm	W Kg	HCG mm	VCG mm	LL mm	A mm	ISO 2328
MMP 25 X8A	2.500	500	365-695	800	720	730	126	54	330	111	133	2 A
MMP 25 X9A	2.500	500	365-835	940	830	730	137	53	331	111	133	2 A
MMP 25 10A	2.500	500	365-935	1.040	910	730	143	53	331	111	133	2 A
MMP 25 11A	2.500	500	365-1.045	1.150	960	730	151	52	333	111	133	2 A
MMP 25 12A	2.500	500	365-1.135	1.245	960	730	186	53	310	119	133	2 A
MMP 25 14A	2.500	500	365-1.295	1.400	1.050	730	199	53	309	119	133	2 A
MMP 35 10B	3.500	500	405-995	1.100	890	840	198	61	393	135	133	3 A
MMP 35 11B	3.500	500	405-1.045	1.150	890	840	200	61	393	135	133	3 A
MMP 35 12B	3.500	500	405-1.145	1.245	1.090	840	205	61	393	135	133	3 A
MMP 35 13B	3.500	500	405-1.245	1.350	1.090	840	213	60	393	135	133	3 A
MMP 49 11B	4.900	500	410-1.000	1.150	850	890	300	63	408	145	153	3 A
MMP 49 12B	4.900	500	410-1.095	1.245	900	890	312	63	408	145	153	3 A
MMP 49 13B	4.900	500	410-1.200	1.350	970	890	323	62	407	145	153	3 A
MMP 49 15B	4.900	500	410-1.400	1.550	1.200	890	348	61	406	145	153	3 A
MMP 49 16B	4.900	500	410-1.510	1.660	1.260	890	360	61	406	145	153	3 A
MMP 49 17B	4.900	500	410-1.600	1.750	1.550	890	370	60	405	145	153	3 A
MMP 49 18B	4.900	500	410-1.700	1.850	1.550	890	380	60	405	145	153	3 A

Notes:

- Two hydraulic functions required.
- Sideshift stroke always 100 + 100 mm.
- Delivered without forks. Original lift truck forks can be fitted without any modification.

Options:

- Special widths.
- Load backrest.
- Model without sideshift (model MMN).

