



Battery Handling Equipment

Battery Roller Stands

BHS Battery Roller Stands provide the ideal location to charge, store, and exchange lift truck batteries with convenience and ease. Battery Roller Stands are constructed with heavy-duty steel for durability and spark-proof, poly-sleeved rollers to make battery transfers safe and easy. Countless compartment configurations, safety features, and options are available to provide custom solutions.



Seismic Zone 4 Rated

BHS also provides custom battery handling equipment to meet any challenge.

We manufacture original equipment at our 138,000-square-foot manufacturing facility, and we are happy to take special requests. Contact BHS at bhs@bhs1.com to learn about more fully customized solutions for the battery room.

 **1.800.BHS.9500**

 **BHS1.com**

System Stands

OVERVIEW

Heavy-duty, steel-constructed System Stands provide comprehensive battery storage solutions for forklift fleets of any size. All System Stands feature welded steel frames with a durable powder coating that resists scratches and corrosion. In combination with an Operator Aboard Battery Extractor, System Stands provide the central infrastructure for a safe, efficient, and reliable battery room. The complete line of System Stands is available in Single Level, Double Stack, Triple Stack and Quad Stack models to accommodate system requirements.



**Double Stack System Stands
with Operator Aboard Battery Extractor**

FEATURES & BENEFITS

- Spark-proof, poly-sleeved rollers reduce corrosive build-up and extend product life
- Models available in various compartment widths to accommodate batteries from 12" to 48" (305 mm to 1219 mm)
- 40" (1016 mm) standard compartment depth
- Hitch pin-secured roller axles for ease of maintenance
- Rearward-pitched battery slots to assist in battery retention
- Welded system feet
- Six rollers per compartment
- Foot pad dimensions for DS, TS, and QS models: 0.75" x 6" x 8" (19 mm x 152 mm x 203 mm); for SL models: 0.25" x 3" x 5" (6 mm x 76 mm x 127 mm)
- Charger connector mounting holes
- Charger cable routing holes help protect cables from damage*
- Charger anchoring slots for securing most makes of chargers
- Auxiliary backstops for DS, TS, and QS models provide compartment depths from 27.5" to 40" (699 mm to 1016 mm); for SL models: reduce compartment depth to 34" (864 mm)
- Custom designs available to fit all battery changing requirements

** Applies to DS, TS & QS models only*



CABLE ROUTING HOLES



FLIP-UP BATTERY SAFETY STOP




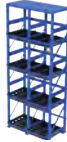


HITCH PINS



WELDED SYSTEM FEET

OPTIONS

				
	SINGLE LEVEL SYSTEM STANDS (BS-SL)	DOUBLE STACK SYSTEM STANDS (BS-DS)	TRIPLE STACK SYSTEM STANDS (BS-TS)	QUAD STACK SYSTEM STANDS (BS-QS)
CATWALK		•	•	•
LADDER		•	•	•
END RAIL		•	•	•
REAR RAIL		•	•	•
CHARGER SHELF FORWARD	•			
CHARGER SHELF REARWARD	•			
EXTENDED COMPARTMENT DEPTH	•	•	•	•
DRIP PAN	•	•	•	•
LEG EXTENSION	•			
POLY LEAD ROLLER	•	•	•	•
RUBBER BACKSTOP	•	•	•	•
SHELF EXTENSION - 6"	•			
SLIDING SB CONNECTOR KIT		•	•	•
REAR STRUT MOUNT		•	•	•
TOP STRUT MOUNT		•	•	•



Catwalk (BS-CW)

Provides walk area for charger maintenance and comes standard with front rail



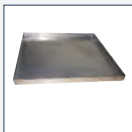
Ladder (BS-LDR)

Provides easy access to catwalk used for charger maintenance



Charger Shelf Rearward (BS-RWD)

Offsets shelf to rear to eliminate obstruction over compartment



Drip Pan (DK, DP)

Contains spills, maintaining a cleaner, safer environment



Leg Extension (BS-LE)

Increases roller height beyond standard 8" (203 mm) height up to 18" (457 mm)

Note: Consult factory for this option



Poly Lead Roller

Replaces the first roller in each compartment with a polyethylene roller to eliminate potential bearing failure in frequent change-out environments



Shelf Extension - 6" (BS-EXT-6)

Adds 6" (152 mm) extension between stands to support larger charger cabinets

Extended Compartment Depth (-46)

Increases roller compartment depth to 46" (1168 mm)

Extended Compartment Depth (-48)

Increases roller compartment depth to 48" (1219 mm)

Extended Compartment Depth (-50)

Increases roller compartment depth to 50" (1270 mm)

Sliding SB Connector Kit (#80892001)

Allows SB connector to be moved and secured anywhere along the length of the SB connector bracket

Rubber Backstop (BS-RBR-STP)

Cushions battery during placement into stand

Note: One per stand required, slightly reduces compartment depth

End Rail (BS-CW-ER)

Encloses charger servicing area on end of system

Rear Rail (BS-CW-RR)

Encloses charger servicing area on rear of system

Charger Shelf Forward (BS-FWD)

Space-saving shelf designed for battery rooms with limited space

Rear Strut Mount (BS-RSM)

Mount vertical style chargers along the rear of multi-level battery stands on a welded strut channel.

Top Strut Mount (BS-TSM)

Mount vertical style chargers above multi-level battery stands on a welded strut channel. Adequate clearance required.

Single Level System Stands

MODELS & SPECIFICATIONS (IMPERIAL/METRIC)

MODEL	ROLLER COMPARTMENT WIDTH	FRAME WIDTH	O.A. WIDTH
BS-12-2-SL	12" / 305 mm	26" / 660 mm	27" / 686 mm
BS-12-3-SL	12" / 305 mm	38.875" / 987 mm	40" / 1016 mm
BS-15-2-SL	15" / 381 mm	32" / 813 mm	33" / 838 mm
BS-15-3-SL	15" / 381 mm	47.875" / 1216 mm	49" / 1245 mm
BS-15-4-SL	15" / 381 mm	63.75" / 1619 mm	65" / 1651 mm
BS-15-6-SL	15" / 381 mm	95.5" / 2426 mm	97" / 2464 mm
BS-18-2-SL	18" / 457 mm	38" / 965 mm	39" / 991 mm
BS-18-3-SL	18" / 457 mm	56.875" / 1445 mm	58" / 1473 mm
BS-18-4-SL	18" / 457 mm	75.75" / 1924 mm	77" / 1956 mm
BS-18-6-SL	18" / 457 mm	113.5" / 2883 mm	115" / 2921 mm
BS-21-2-SL	21" / 533 mm	44" / 1118 mm	45" / 1143 mm
BS-21-3-SL	21" / 533 mm	65.875" / 1673 mm	67" / 1702 mm
BS-21-4-SL	21" / 533 mm	87.75" / 2229 mm	89" / 2261 mm
BS-24-2-SL	24" / 610 mm	50" / 1270 mm	51" / 1295 mm
BS-24-3-SL	24" / 610 mm	74.875" / 1902 mm	76" / 1930 mm
BS-27-2-SL	27" / 686 mm	56" / 1422 mm	57" / 1448 mm
BS-27-3-SL	27" / 686 mm	83.875" / 2130 mm	85" / 2159 mm
BS-30-2-SL	30" / 762 mm	63.75" / 1619 mm	65" / 1651 mm
BS-30-3-SL	30" / 762 mm	95.5" / 2426 mm	97" / 2464 mm
BS-33-2-SL	33" / 838 mm	68" / 1727 mm	69" / 1753 mm
BS-33-3-SL	33" / 838 mm	101.875" / 2588 mm	103" / 2616 mm
BS-36-2-SL	36" / 914 mm	75.75" / 1924 mm	77" / 1956 mm
BS-36-3-SL	36" / 914 mm	113.5" / 2883 mm	115" / 2921 mm
BS-42-2-SL	42" / 1067 mm	87.75" / 2229 mm	89" / 2261 mm

Note: If charger shelf is not required, use suffix (-1). For example BS-15-2-SL-1

Double Stack System Stands

MODELS & SPECIFICATIONS (IMPERIAL/METRIC)

MODEL	ROLLER COMPARTMENT WIDTH	FRAME WIDTH
BS-15-4-DS	15" / 381 mm	38" / 965 mm
BS-15-8-DS	15" / 381 mm	73" / 1854 mm
BS-18-4-DS	18" / 457 mm	44" / 1118 mm
BS-18-8-DS	18" / 457 mm	85" / 2159 mm
BS-21-4-DS	21" / 533 mm	50" / 1270 mm
BS-21-8-DS	21" / 533 mm	97" / 2464 mm
BS-24-4-DS	24" / 610 mm	56" / 1422 mm
BS-24-8-DS	24" / 610 mm	109" / 2769 mm
BS-30-2-DS	30" / 762 mm	38" / 965 mm
BS-30-4-DS	30" / 762 mm	73" / 1854 mm
BS-36-2-DS	36" / 914 mm	44" / 1118 mm
BS-36-4-DS	36" / 914 mm	85" / 2159 mm
BS-42-2-DS	42" / 1067 mm	50" / 1270 mm
BS-42-4-DS	42" / 1067 mm	97" / 2464 mm
BS-48-2-DS	48" / 1219 mm	56" x 1422 mm
BS-48-4-DS	48" / 1219 mm	109" / 2769 mm

BS Model Number Key: BS-XX-Y-ZZ-AA
XX = Roller Compartment Width
Y = Number of Compartments
ZZ = Single Level, Double Stack, Triple Stack, or Quad Stack
AA = Roller Compartment Depth, Standard is 40" (1016 mm)



BS-SL



BS-DS with optional Catwalk and Ladder

Triple Stack System Stands

MODELS & SPECIFICATIONS (IMPERIAL/METRIC)

MODEL	ROLLER COMPARTMENT WIDTH	FRAME WIDTH
BS-15-6-TS	15" / 381 mm	38" / 965 mm
BS-15-12-TS	15" / 381 mm	73" / 1854 mm
BS-18-6-TS	18" / 457 mm	44" / 1118 mm
BS-18-12-TS	18" / 457 mm	85" / 2159 mm
BS-21-6-TS	21" / 533 mm	50" / 1270 mm
BS-21-12-TS	21" / 533 mm	97" / 2464 mm
BS-24-6-TS	24" / 610 mm	56" / 1422 mm
BS-24-12-TS	24" / 610 mm	109" / 2769 mm
BS-30-3-TS	30" / 762 mm	38" / 965 mm
BS-30-6-TS	30" / 762 mm	73" / 1854 mm
BS-36-3-TS	36" / 914 mm	44" / 1118 mm
BS-36-6-TS	36" / 914 mm	85" / 2159 mm
BS-42-3-TS	42" / 1067 mm	50" / 1270 mm
BS-42-6-TS	42" / 1067 mm	97" / 2464 mm
BS-48-3-TS	48" / 1219 mm	56" / 1422 mm
BS-48-6-TS	48" / 1219 mm	109" / 2769 mm



BS-TS

Quad Stack System Stands

MODELS & SPECIFICATIONS (IMPERIAL/METRIC)

MODEL	ROLLER COMPARTMENT WIDTH	FRAME WIDTH
BS-15-8-QS	15" / 381 mm	38" / 965 mm
BS-15-16-QS	15" / 381 mm	73" / 1854 mm
BS-18-8-QS	18" / 457 mm	44" / 1118 mm
BS-18-16-QS	18" / 457 mm	85" / 2159 mm
BS-21-8-QS	21" / 533 mm	50" / 1270 mm
BS-21-16-QS	21" / 533 mm	97" / 2464 mm
BS-24-8-QS	24" / 610 mm	56" / 1422 mm
BS-24-16-QS	24" / 610 mm	109" / 2769 mm
BS-30-4-QS	30" / 762 mm	38" / 965 mm
BS-30-8-QS	30" / 762 mm	73" / 1854 mm
BS-36-4-QS	36" / 914 mm	44" / 1118 mm
BS-36-8-QS	36" / 914 mm	85" / 2159 mm
BS-42-4-QS	42" / 1067 mm	50" / 1270 mm
BS-42-8-QS	42" / 1067 mm	97" / 2464 mm
BS-48-4-QS	48" / 1219 mm	56" / 1422 mm
BS-48-8-QS	48" / 1219 mm	109" / 2769 mm



BS-QS with Operator Aboard Battery Extractor

Battery Roller Stand

The BHS Battery Roller Stands (BS) provide convenient storage for industrial lift truck batteries. Constructed with heavy-duty steel, the BS is available in various widths and compartment sizes to meet specific requirements. BS models come with charger shelf and poly-coated rollers for spark-proof protection. Note: Roller height required when ordering.

FEATURES & BENEFITS

- ± 0.5" (± 13 mm) adjustable legs for added convenience
- Charger shelf comes standard
- Spark-proof, poly-sleeved rollers reduce corrosive build-up and extend product life
- Standard roller height available from 4.5" to 10" (114 mm to 254 mm)
Note: roller height required when ordering
- CR-1 cable retractor mounting holes
- Charger shelves come slotted, allowing for optional 6" (152 mm) shelf extension between stands
- Custom-built models also available to meet unique specifications

OPTIONS

Charger Shelf Forward (BS-FWD)

Space-saving shelf designed for battery rooms with limited space

Charger Shelf Rearward (BS-RWD)

Offsets shelf to rear to eliminate obstruction over compartment

Extended Compartment Depth (-46)*

Increases roller compartment depth to 46" (1168 mm)

Extended Compartment Depth (-48)*

Increases roller compartment depth to 48" (1219 mm)

Extended Compartment Depth (-50)*

Increases roller compartment depth to 50" (1270 mm)

Leg Extension (BS-LE)*

Increases roller height beyond standard height up to 25.9" (658 mm)

Rubber Backstop (BS-RBR-STP)

Cushions battery during placement into stand

Note: One per stand required, slightly reduces compartment depth

Shelf Extension - 6" (BS-EXT-6)

Adds 6" (152 mm) extension between stands to support larger charger cabinets

MODELS & SPECIFICATIONS (IMPERIAL / METRIC)

MODEL	ROLLER COMPARTMENT WIDTH	FRAME WIDTH	O.A. WIDTH
BS12-2	12" / 305 mm	26" / 660 mm	27" / 690 mm
BS12-3	12" / 305 mm	38.875" / 987 mm	40" / 1020 mm
BS15-2	15" / 381 mm	32" / 813 mm	33" / 840 mm
BS15-3	15" / 381 mm	47.875" / 1216 mm	49" / 1245 mm
BS15-4	15" / 381 mm	63.75" / 1619 mm	65" / 1655 mm
BS15-6	15" / 381 mm	95.5" / 2426 mm	97" / 2465 mm
BS18-2	18" / 457 mm	38" / 965 mm	39" / 995 mm
BS18-3	18" / 457 mm	56.875" / 1445 mm	58" / 1475 mm
BS18-4	18" / 457 mm	75.75" / 1924 mm	77" / 1960 mm
BS18-6	18" / 457 mm	113.5" / 2883 mm	115" / 2925 mm
BS21-2	21" / 533 mm	44" / 1118 mm	45" / 1145 mm
BS21-3	21" / 533 mm	65.875" / 1673 mm	67" / 1705 mm
BS21-4	21" / 533 mm	87.75" / 2229 mm	89" / 2265 mm
BS24-2	24" / 610 mm	50" / 1270 mm	51" / 1295 mm
BS24-3	24" / 610 mm	74.875" / 1902 mm	76" / 1935 mm
BS27-2	27" / 686 mm	56" / 1422 mm	57" / 1450 mm
BS27-3	27" / 686 mm	83.875" / 2130 mm	85" / 2160 mm
BS30-2	30" / 762 mm	63.75" / 1619 mm	65" / 1655 mm
BS30-3	30" / 762 mm	95.5" / 2426 mm	97" / 2470 mm
BS33-2	33" / 838 mm	68" / 1727 mm	69" / 1752 mm
BS33-3	33" / 838 mm	101.875" / 2588 mm	103" / 2620 mm
BS36-1	36" / 914 mm	38" / 970 mm	39" / 995 mm
BS36-2	36" / 914 mm	75.75" / 1924 mm	77" / 1960 mm
BS36-3	36" / 914 mm	113.5" / 2883 mm	115" / 2925 mm
BS42-1	42" / 1067 mm	44" / 1118 mm	45" / 1145 mm
BS42-2	42" / 1067 mm	87.75" / 2229 mm	89" / 2265 mm

Note: If charger shelf is not required use suffix (-). For example: BS18-3-1

* Consult Factory for this option



BS18-3-1



BS15-3

Fork Access Battery Stand

Lift trucks designed without battery roller beds, requiring non-traditional battery exchange with a pallet truck are the perfect application for the Fork Access Battery Stand (BSFA). The BSFA stores a single battery, accepting a variety of battery sizes, and is available in models compatible with either standard 18" or 27" (457 mm or 686 mm) pallet trucks. BSFA models provide an option in charger storage (charger shelf, vertical-mount, or neither).

FEATURES & BENEFITS

- All models are knock down flat, include (2) pedestals for battery center support, and are supplied with different sized shims for installation levelness
- Durable powder coat finish resists both acid and scratches
- Shelf-mount models include SB connector mounting holes
- Vertical-mount models include SB connector mounting bracket
- Angled front rails to aid in guiding pallet truck into stand
- Welded system feet with anchor holes
- Spark proof UHMW polyethylene battery resting strips prevent direct contact between battery and stand
- UHMW strip on back rail for additional battery isolation
- Charger anchoring slots for securing most makes of chargers
- Accommodates batteries up to 50" (1270 mm) long
- 5.125" (130 mm) top of battery slides for battery transfer with most pallet trucks



BSFA-526

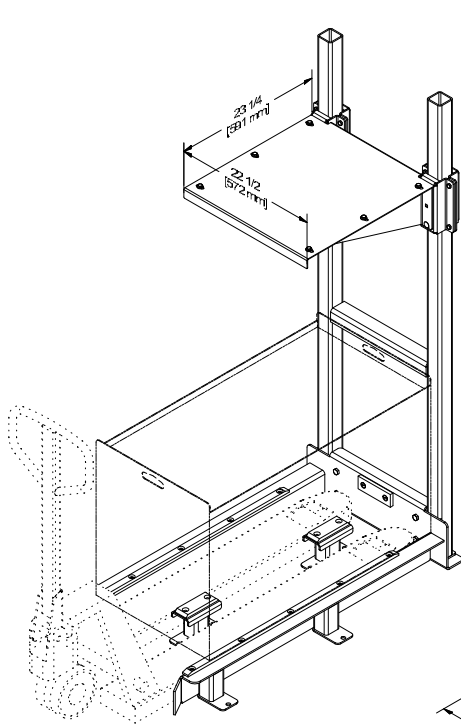
MODELS & SPECIFICATIONS (IMPERIAL / METRIC)

	BSFA-526		BSFA-526-1		BSFA-857		BSFA-857-1	
CHARGER MOUNT TYPE	Shelf Mount/Vertical Mount		No Charger Mount		Shelf Mount/Vertical Mount		No Charger Mount	
MIN BATTERY WIDTH	20.688" / 526 mm				33.75" / 857 mm			
MAX BATTERY HEIGHT*	38" / 966 mm				38" / 966 mm			
MAX BATTERY LENGTH	50" / 1270 mm				50" / 1270 mm			
BATTERY DECK HEIGHT	5.063" / 129 mm				5.063" / 129 mm			
BATTERY DECK CAPACITY	4,000 lb / 1814 kg				4,000 lb / 1814 kg			
CHARGER MOUNT CAPACITY	250 lb / 113 kg		N/A		250 lb / 113 kg		N/A	
CHARGER SHELF (W X D)	31.5" x 22.5" / 800 mm x 572 mm				31.5" x 26" / 800 mm x 660 mm			
CHARGER WIDTH (-VM ONLY)	3" / 77 mm Min 15.875" / 404 mm Max		N/A		10" / 254 mm Min 24.875" / 632 mm Max		N/A	
CHARGER HEIGHT (-VM ONLY)†	4" / 102 mm Min 38" / 966 mm Max		N/A		4" / 102 mm Min 38" / 966 mm Max		N/A	
CHARGER MOUNTING SLOTS (-VM ONLY)	0.563" x 15.875" 14 mm x 403 mm		N/A		0.563" x 24.875" 14 mm x 632 mm		N/A	
MAX O.A. FORK WIDTH	18" / 458 mm				27" / 686 mm			
MIN FORK SPACING‡	4" / 102 mm				4" / 102 mm			
OVERALL DIMENSIONS (W X D X H)	29.25" x 52" x 72.5" 743 mm x 1321 mm x 1842 mm				39.25" x 52" x 72.5" 997 mm x 1321 mm x 1842 mm			

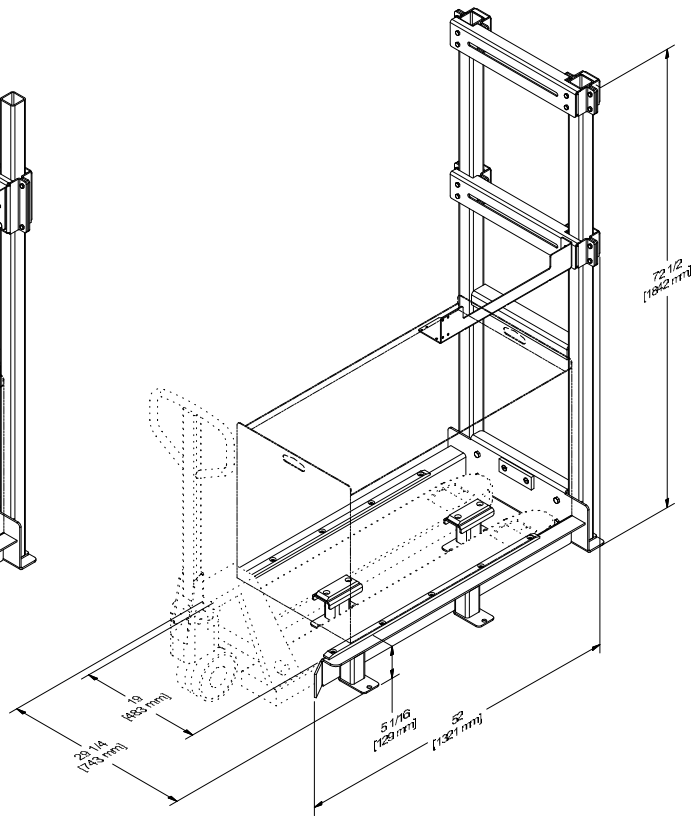
* Max battery height based on -VM option with 24" / 610 mm tall charger.

† Max charger height with 24.688" / 627 mm tall battery

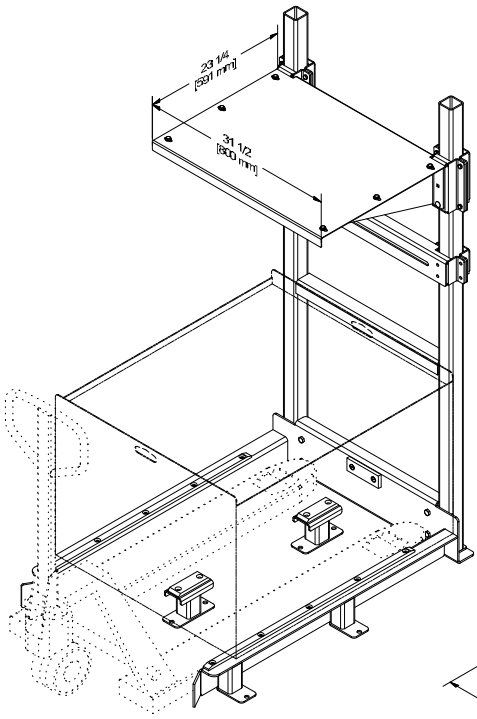
‡ Min fork spacing only applicable with center pedestal supports installed



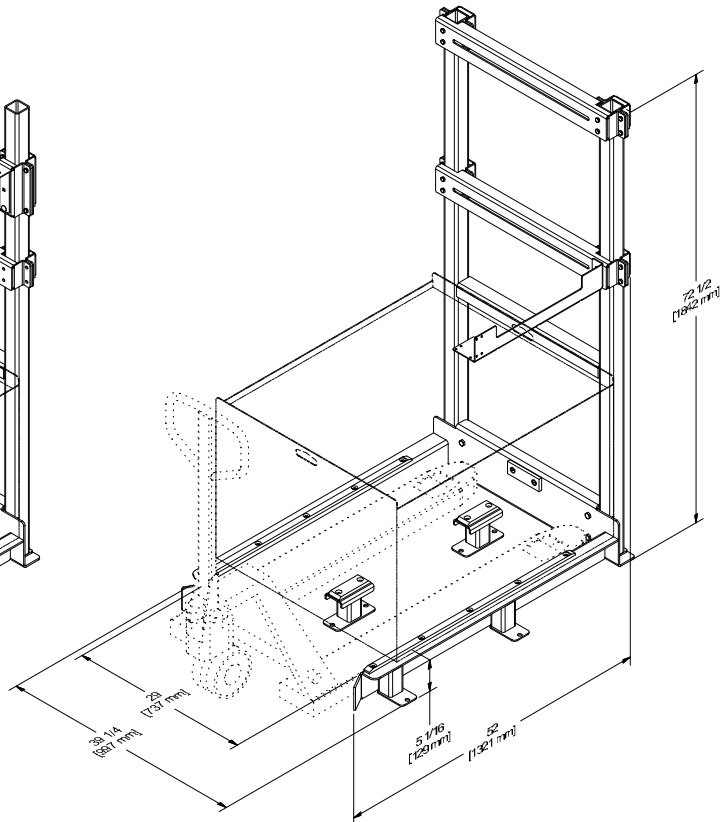
BSFA-526-SM



BSFA-526-VM



BSFA-857-SM



BSFA-857-VM

Adjustable Height Battery Stand

The Adjustable Height Battery Stand (BS-OF) provides a safe and durable storage location for forklift batteries. Constructed with heavy-duty steel, the BS-OF is conveniently built to store up to two batteries. The threaded rod feet are positioned on the outside of the frame, allowing the roller height to be adjusted from 4" to 13" (102 mm to 330 mm). The auxiliary backstop (adjustable in six positions or can be removed) provides compartment depths from 18" to 49.5" (457 mm to 1257 mm). The BS-OF is the perfect solution for battery storage maintenance needs.

FEATURES & BENEFITS

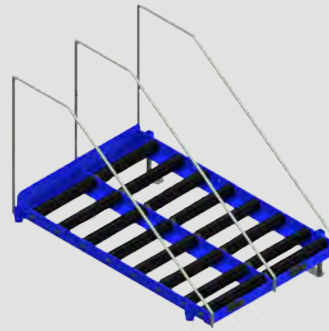
- Two battery compartments
- Spark-proof, poly-sleeved rollers reduce corrosive build-up and extend product life
- Hitch pin-secured roller axles for ease of maintenance
- Threaded rod outboard feet with adjustable roller height from 4" to 13" (102 mm to 330 mm)
- Seven rollers per compartment
- Adjustable backstop provides compartment depths from 18" to 49.5" (457 mm to 1257 mm)
- "-R" models include battery compartment dividers for additional vertical safety

MODELS & SPECIFICATIONS

MODEL	ROLLER COMPARTMENT WIDTH	ROLLER COMPARTMENT DEPTH
BS15-2-OF	15" / 381 mm	18" to 49.5" / 457 mm to 1257 mm
BS15-2-OF-R	15" / 381 mm	18" to 49.5" / 457 mm to 1257 mm
BS18-2-OF	18" / 457 mm	18" to 49.5" / 457 mm to 1257 mm
BS18-2-OF-R	18" / 457 mm	18" to 49.5" / 457 mm to 1257 mm



BS18-2-OF



BS15-2-OF-R

Traveling Battery Stand

The BHS Traveling Battery Stand (TBS) is track-mounted with the capacity to hold both a charged battery and a discharged battery during battery change-out. The TBS also provides a location for the discharged battery to recharge.

FEATURES & BENEFITS

- ± 0.5" (± 13 mm) adjustable legs for added convenience
- Spark-proof, poly-sleeved rollers reduce corrosive build-up and extend product life
- Efficient one-person changing system
- Easy-grip push handles
- Available with two (2TBS) or three (3TBS) compartments
- 6" (152 mm) minimum roller height (only 6" height is non-adjustable, anchored to floor)
Note: roller height required when ordering
- 3,600 lb (1633 kg) total capacity
- Custom-built models also available to meet unique specifications

MODELS & SPECIFICATIONS

MODEL	COMPARTMENT WIDTH	COMPARTMENT DEPTH	TRACK DIMENSION
2TBS-1040	10" / 254 mm	40" / 1016 mm	48" x 40" / 1219 mm x 1016 mm
2TBS-1540	15" / 381 mm	40" / 1016 mm	64" x 40" / 1626 mm x 1016 mm
2TBS-2140	21" / 533 mm	40" / 1016 mm	80" x 40" / 2032 mm x 1016 mm
3TBS-1040	10" / 254 mm	40" / 1016 mm	70" x 40" / 1778 mm x 1016 mm
3TBS-1540	15" / 381 mm	40" / 1016 mm	96" x 40" / 2438 mm x 1016 mm
3TBS-1850	18" / 457 mm	50" / 1270 mm	105" x 50" / 2667 mm x 1270 mm



TBS shown with optional Charger Wall Bracket (CWB)

Battery Service Stand

The BHS Battery Service Stand (BSS) is constructed with heavy-duty steel and provides a convenient place to temporarily store an industrial battery during lift truck service. The BSS is also ideal for storing a Drop-In Roller while not in use.

FEATURES & BENEFITS

- ± 0.5" (± 13 mm) adjustable legs for added convenience
- Spark-proof, poly-sleeved rollers reduce corrosive build-up and extend product life
- Standard roller height available from 4.5" to 10" (114 mm to 254 mm)
Note: roller height required when ordering
- 40" (1016 mm) standard roller bed depth
- Custom-built models also available to meet unique specifications

OPTIONS

Leg Extension (BS-LE)

Increases roller height beyond standard height up to 25.9" (658 mm)

Note: Consult Factory on this option

Extended Compartment Depth (-46)

Increases roller compartment depth to 46" (1168 mm)

Extended Compartment Depth (-50)

Increases roller compartment depth to 50" (1270 mm)

MODELS & SPECIFICATIONS

MODEL	ROLLER COMPARTMENT DEPTH	ROLLER COMPARTMENT WIDTH	FRAME WIDTH	O.A. STAND WIDTH
BSS-15	40" 1016 mm	15" 381 mm	16.125" 410 mm	17" 432 mm
BSS-18	40" 1016 mm	18" 457 mm	19.125" 486 mm	20" 508 mm
BSS-21	40" 1016 mm	21" 533 mm	22.125" 562 mm	23" 584 mm
BSS-24	40" 1016 mm	24" 610 mm	25.125" 638 mm	26" 660 mm
BSS-30	40" 1016 mm	30" 762 mm	32" 813 mm	33" 838 mm
BSS-15-50-ADJ*	50" 1270 mm	15" 381 mm	16.125" 410 mm	21.125" 537 mm
BSS-18-ADJ-D* †	40" 1016 mm	18" 457 mm	19.125" 486 mm	24.125" 613 mm
BSS-24-50-ADJ*	50" 1270 mm	24" 610 mm	25.125" 638 mm	30.125" 765 mm
BSS-24-ADJ-D*†	40" 1016 mm	24" 610 mm	25.125" 638 mm	30.125" 765 mm

* Adjustable roller height from 4.5" to 14.5" (114 mm to 368 mm)

† Dolly handle and casters allow transport from truck to worksite; not for use while battery loaded.



BSS-18



BSS-24-50-ADJ



BSS-24-ADJ-D



NORTH AMERICA: P.O. Box 28990, St. Louis, MO 63132 USA • 1.800.BHS.9500 • Fax: 314.423.6444 • sales@bhs1.com • BHS1.com

INTERNATIONAL: P.O. Box 12429, St. Louis, MO 63132 USA • +1 314 423 2075 • Fax: +1 314 423 3034 • sales@bhs1global.com

Specifications are subject to change without notice. ©2008-2019 BHS, Inc. St. Louis, MO. Data Sheet: PL-2000 10/19

