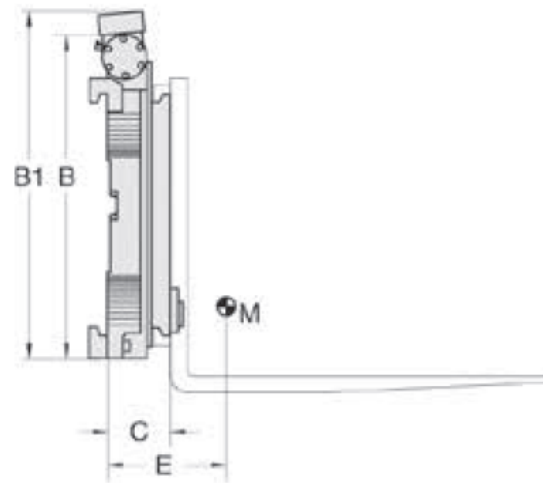
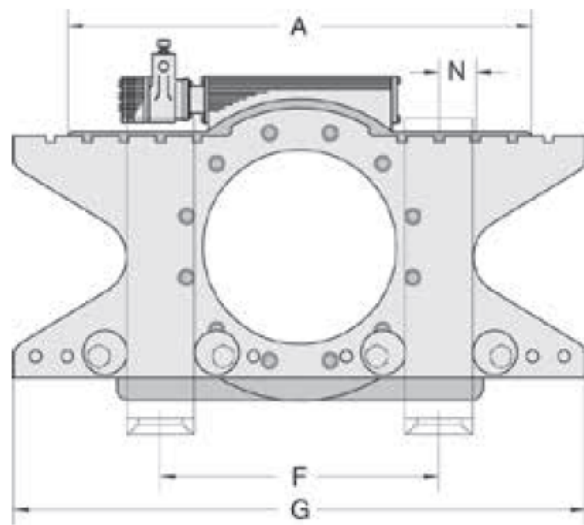


**Range:** 1600 Kg - 8000 Kg

**Plus:**

- Heavy duty 360-degree rotator with ISO-2328 fork carriage for all applications requiring rotation. Commonly used in industries where the working cycles require rotation or emptying of boxes or containers.
- Continuous rotation in both ways.
- Direct worm/gear drive and clutch brake system.
- Standard protection against dust and dirt.
- Forks are manually adjustable and can be locked in position.



Model	Capacity	Load Centre	Chassis Width	Chassis Height	Overall Height	Carriage Width	Fork Setting centre to centre	Fork Increments	Torque $\Delta p=120$ bar	Lost Load Centre	Centre of Gravity	Weight	Mounting Class
	Q kg	lc mm	A mm	B mm	B1 mm	G mm	F mm	N mm	Nm	C mm	E mm	M kg	ISO 2328
5-1502N - a	1.600	500	900	541	593	790	110-560	45	4.400	114	50	180	2 A
5-1502N - b	1.600	500	900	541	593	880	110-650	45	4.400	114	54	185	2 A
5-1504N - a	2.000	500	900	541	593	880	110-650	45	7.000	114	55	180	2 A
5-1504N - b	2.000	500	900	541	593	970	110-740	45	7.000	114	60	185	2 A
5-1504N - c	2.000	500	900	541	593	1.060	110-830	45	7.000	114	60	190	2 A
5-1505N - a	2.500	600	950	665	730	830	420-600	45	8.800	119	50	255	2 A
5-1505N - b	2.500	600	950	665	730	920	150-690	45	8.800	144	65	290	2 A
5-1505N - c	2.500	600	950	665	730	920	420-690	45	8.800	119	53	260	2 A
5-1505N - d	2.500	600	950	665	730	1.010	420-780	45	8.800	119	55	265	2 A
5-1505N - e	2.500	600	950	665	730	1.100	420-870	45	8.800	119	55	270	2 A
5-1505N - f	2.500	600	950	665	730	1.190	420-960	45	8.800	119	57	280	2 A
5-1505N - g	2.500	600	950	665	730	1.280	420-1.050	45	8.800	119	59	290	2 A
5-1506N - a	3.000	500	950	665	730	970	320-720	50	8.800	129	60	295	3 A
5-1506N - b	3.000	500	950	665	730	1.070	120-820	50	8.800	154	75	335	3 A
5-1506N - c	3.000	500	950	665	730	1.070	320-820	50	8.800	129	62	305	3 A
5-1506N - d	3.000	500	950	665	730	1.170	320-920	50	8.800	129	63	315	3 A
5-1506N - e	3.000	500	950	665	730	1.270	320-1.020	50	8.800	129	64	325	3 A
5-1507N - a	3.800	500	950	719	773	970	320-720	50	10.800	142	60	350	3 A
5-1507N - b	3.800	500	950	719	773	1.070	120-820	50	10.800	162	75	405	3 A
5-1507N - c	3.800	500	950	719	773	1.070	320-820	50	10.800	142	63	365	3 A
5-1507N - d	3.800	500	950	719	773	1.170	320-920	50	10.800	142	66	380	3 A
5-1507N - e	3.800	500	950	719	773	1.270	320-1.020	50	10.800	142	62	390	3 A
5-1508N - a	4.000	600	1.100	786	850	1.050	500-800	50	13.000	149	62	430	3 A
5-1508N - b	4.000	600	1.100	786	850	1.150	200-900	50	13.000	179	90	496	3 A
5-1508N - c	4.000	600	1.100	786	850	1.150	500-900	50	13.000	149	67	455	3 A
5-1508N - d	4.000	600	1.100	786	850	1.250	500-1.000	50	13.000	149	73	505	3 A
5-1509N - a	4.500	600	1.100	786	850	1.050	500-800	50	13.000	149	65	435	3 A
5-1509N - b	4.500	600	1.100	786	850	1.150	200-900	50	13.000	179	93	498	3 A
5-1509N - c	4.500	600	1.100	786	850	1.150	500-900	50	13.000	149	69	460	3 A
5-1509N - d	4.500	600	1.100	786	850	1.250	500-1.000	50	13.000	149	76	510	3 A
5-1510N - a	5.000	600	1.000	881	930	1.080	480-680	50	13.100	157	70	490	4 A
5-1510N - b	5.000	600	1.000	881	930	1.180	480-780	50	13.100	157	73	520	4 A
5-1510N - c	5.000	600	1.000	881	930	1.280	480-880	50	13.100	157	80	550	4 A
5-1510N - d	5.000	600	1.000	881	930	1.480	480-1.080	50	13.100	157	76	595	4 A