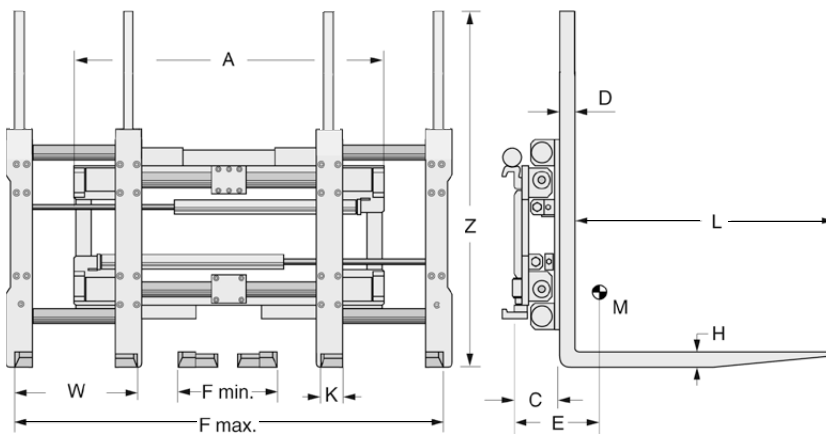




The MEYER 4/2, 4/3/2, 6/4 or 8/6 Pallet Handler for bulk handling provide an optimum of visibility and clean working environment through the unique encapsulated Shaft Guide Concept. The high working speed with synchronised fork travel and the separate sideshift function allow for a safe, ergonomic and efficient operation. The interchangeable bolt-on forks are hydraulically operated from the drivers position. Many special designs, such as customized load backrests, load stabilizers and many more are available.





Range: 1100 kg - 5600 kg

Plus:

- The MEYER 4/2 pallet handler with its precision bar type guidance system can lift either 2 or 4 pallets at a time. The optimum visibility and synchronised movement of the forks guarantees safe and efficient manoeuvring into the pallets. The fork arms are hydraulically adjusted by a single lever from the driver's position. A sideshift is included to position the loads accurately.

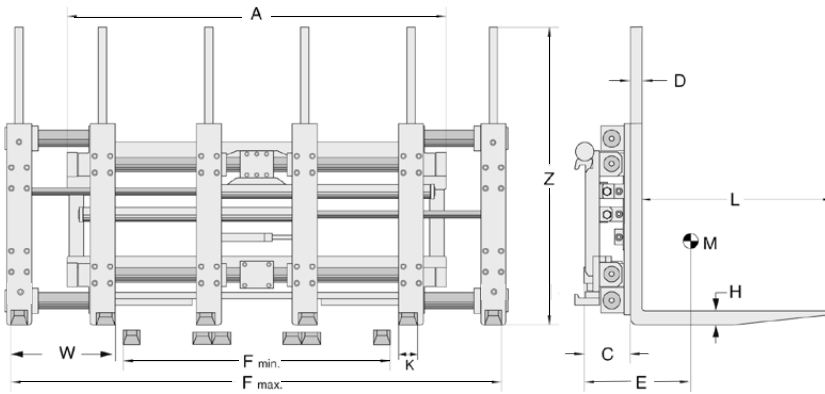
Model	Capacity	Load centre	for FLT capacity max.	Chassis width	Sideshift stroke per side	Opening range	Load guard height	Fork section	Fork spread	Fork length	Fork upright	Lic	Cog	Weight	Mounting class
	Q kg	LSP mm	t/LSP	A mm	S mm	F mm	Z mm	KxH mm	W mm	L mm	D mm	C mm	E mm	M kg	ISO Kl.
6-5404G	1100	1200	2,5/600	1200	100	550-1930	1350	80x50	540	2350	50	192	550	665	2 A
6-5405G	1300	1200	3,0/500	1200	100	550-1930	1350	80x50	540	2350	50	172	530	700	3 A
6-5405F	1500	1200	4,0/500	1200	100	550-1930	1350	80x60/80x50	550	2350	60	157	620	816	3 A
6-5406F	2800	1200	5,0/600	1310	100	540-1920	1350	80x70/80x60	540	2350	70	184	530	998	3 A
6-5406F	2800	1200	5,0/600	1410	150	540-2020	1350	80x70/80x60	540	2350	70	184	530	1008	3 A
6-5407F	3000	1200	5,0/600	1410	100	540-2020	1350	80x70/80x60	540	2350	70	184	505	1075	4 A
6-5408N	3500	1200	7,0/600	1420	160	560-1960	1350	80x60/90x55	560	2350	70	222	435	1325	4 A
6-5409N	4500	1200	8,0/600	1420	160	560-1960	1350	80x70/100x60	560	2350	70	222	460	1380	4 A
6-5410N	5600	1200	8,0/900	1420	160	560-1960	1350	80x75/100x70	560	2350	80	244	490	1520	4 A

Notes:

- Additional hydraulics required
> two
- With separate sideshift
- 10 mm offset between the outer and middle forks.
- 6-5606/12 für 6/4 EURO-Paletten längs (L 1200 x B 800 mm)
- 6-5612N for additional 6/4 pallets (L 1200 x W 1000 mm)
- Min. fork carriage width of the truck
6-5606G 1430 mm
6-5612N 1620 mm
- For not mentioned widths minimum fork carriage width on request.

Options:

- Other tine lengths or cross sections
- **6-56G Additional price for permanent lubrication**
complete for sideshift and fork adjustment
- **6-56N Additional price for permanent lubrication**
complete for sideshift and fork adjustment
- Alternative load guard designs
- Single-arm control



Range: 1500 Kg - 5600 Kg

Plus:

- The MEYER 6/4/(2) pallet handler with the proven bar type guidance system can lift (2), 4 or 6 pallets at a time. The optimum visibility and synchronised movement of the forks guarantees for safe and efficient manoeuvring into the pallets and adds to the increased productivity of the forklift. The fork arms are hydraulically adjusted by a single lever from the driver's position.

Model	Capacity	Load Centre	for FLT capacity max.	Chassis width	Sideshift stroke per side	Opening range over outer forks	load guard height	Fork section	Fork spread	Fork length	Fork upright	Lost Load centre	Centre of gravity	Weight	Mounting class
	Q	LSP	t/LSP	A	S	F	Z	KxH	W	L	D	C	E	M	ISO Kl.
	kg	mm		mm	mm	mm	mm	mm	mm	mm	mm	mm	mm	kg	
6-5606G	3000	1200	6,0/600	1860	150	1340-2280	1350	100x60 80x60	480	2400	60	190	557	1433	3 A
6-5612N	5600	1200	8,0/900	1700	160	1300-2360	1500	100x70 90x60	560	2380	70	220	510	1890	4 A
6-5612N	5600	1200	8,0/900	2200	160	1300-2740	1500	100x70 90x60	500	2380	70	220	495	2015	4 A
6-5612N	5600	1200	8,0/900	2200	160	1300-2860	1500	100x70 90x60	560	2380	70	220	490	2020	4 A

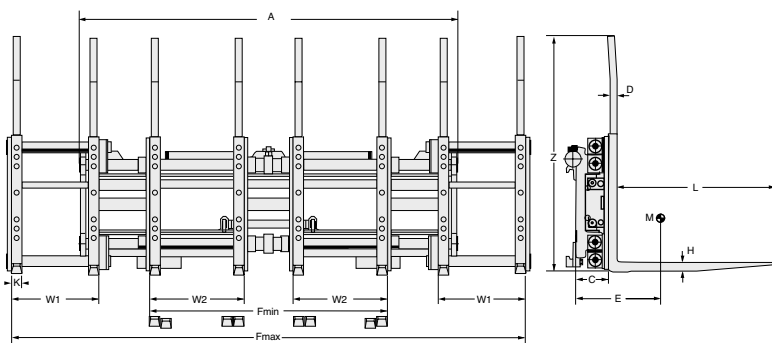
Notes:

- Additional hydraulics required > two
- The unit has a built-on sideshift
- 10 mm Versatz zwischen den äußeren und mittleren Zinken.
- 6-5607N for 6/4/2 Euro pallets lengthwise (L 1200 x B 800 mm)
- 6-5610N is for 6/4/2 standard pallets (L 1000 x B 1200 mm)
- Min. Fork carriage width of the forklift
 - 6-5606G 1430 mm
 - 6-5612N 1620 mm
- For not mentioned widths minimum fork carriage width on request.

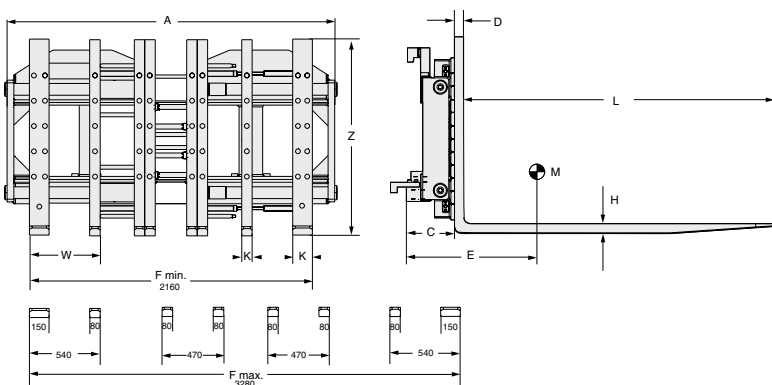
Options:

- Other forks lengths or cross sections
- **6-56G Additional price for permanent lubrication**
complete for sideshift and fork adjustment
- **6-56N Additional price for permanent lubrication**
complete for sideshift and fork adjustment
- Alternative load guard designs
- Single-arm control

Type 6-57



Type 6-58



Range: 3000 kg - 8000 kg

Plus:

- The MEYER 4/3/2 pallet handler with its precision bar type guidance system can lift either 4, 3 or 2 pallets side by side. Optimum visibility guarantees quick and safe positioning of the pallets. The perfect synchronisation of the bolt-on forks enables increased handling performance of the truck. The load forks are adjusted hydraulically from the drivers seat.

Model	Capacity	Load centre	for FLT capacity max.	Chassis width	Sideshift stroke per side	Opening range	Load guard height	Fork section	Fork spread	Fork length	Fork upright	Lic	Cog	Weight	Mounting class
	Q kg	LSP mm	t/LSP	A mm	S mm	F mm	Z mm	KxH mm	W1/W2 mm	L mm	D mm	C mm	E mm	M kg	ISO Kl.
4/3/2 Pallet Handler - Type 6-57N															
6-5706N	3000	600	4,5/600	2150	100	1360-2940	1350	60x50	500/540	1150	50	205	235	1050	3 A
8/6 Pallet Handler - Type 6-58F															
6-5816F	8000	1200	14/600	2500	150	2160-3280	1500	150x70/80x70	540/470	2380	70	258	428	3900	Ⓞ

Notes:

- Additional hydraulics required > two
- With separate sideshift
- 10 mm offset between the outer and middle forks.
- 6-5606/12 for 6/4 EURO pallets lengthwise (L 1200 x W 800 mm)
- 6-5612N for additional 6/4 pallets (L 1200 x W 1000 mm)
- Min. fork carriage width of the truck
 - 6-5606G 1430 mm
 - 6-5612N 1620 mm
- For not mentioned widths minimum fork carriage width on request.

Options:

- Other fork lengths or cross sections
- 6-566G Additional price for permanent lubrication**
complete for sideshift and fork adjustment
- 6-566N Additional price for permanent lubrication**
complete for sideshift and fork adjustment
- Alternative load guard designs
- Single-arm control