

The new MEYER 3/2/1 Pallet Handler combines the unique encapsulated Shaft Guide Concept with a torsion resistant Profile System, which offers an optimum of visibility for all applications at all lift heights. The highly synchronized fork movement and fast opening and closing speed ensure for a safe and efficient handling of either 1, 2 or 3 pallets side by side.

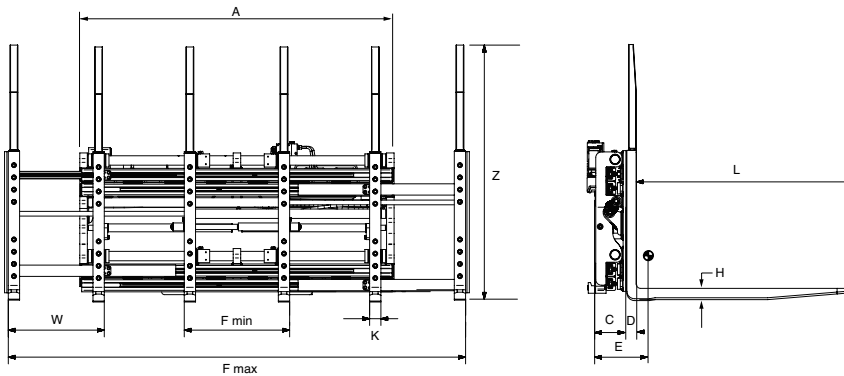
With various options and many special designs, such as load backrests, additional load stabilizers, a load extension or an optional design without sideshift and many more, we offer the optimum customized solution to meet all demands of the beverage industry and pallet logistics.



Range: 2000 kg - 4000 kg

Plus:

- Shaft Guide System.
- To handle up to 3 Pallets in one handling step.
- Excellent visibility to ensure safe working conditions.
- Robust and clean design for a high level of efficiency and reliability.
- Reduced life cycle costs
- Extended maintenance intervals, adapted to the forklift truck service intervals.
- Equipped with separate sideshift.



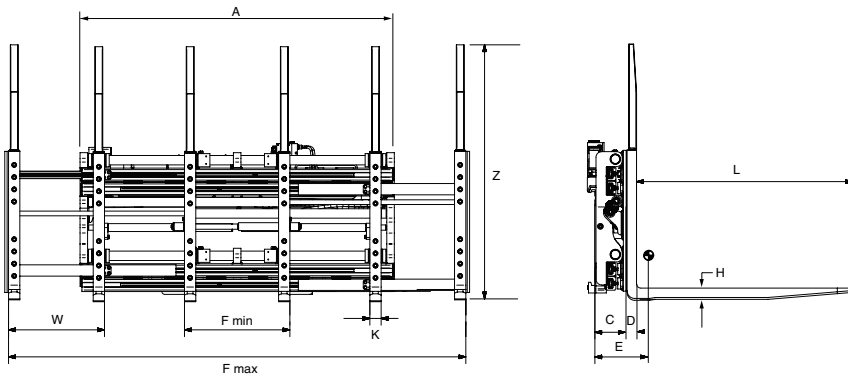
Model	Capacity		Load centre for FLT capacity max.	Chassis width		Opening range	Load guard height	Fork section	Fork spread	Fork length	Fork upright	L/c	Cog	Weight	Mounting class
	Q kg	LSP mm		A mm	S mm										
6-5304F	2000	600	2,5/500	1550	100	560-2240	1350	60x50	500	1150	50	157	216	655	2A
6-5304F	2000	600	2,5/500	1650	100	560-2340	1350	60x50	500	1150	50	157	210	695	2A
6-5304F	2000	600	2,5/500	1750	100	560-2440	1350	60x50	500	1150	50	157	209	710	2A
321PA30A-56SG-3A	3000	600	4,0/500	1470	100	560-2220	1350	60x50	510	1150	50	172	220	755	3A
321PA30B-56SG-3A	3000	600	4,0/500	1570	100	560-2330	1350	60x50	510	1150	50	172	215	775	3A
321PA30C-56SG-3A	3000	600	4,0/500	1670	125	560-2430	1350	60x50	510	1150	50	172	213	795	3A
321PA30D-56SG-3A	3000	600	4,0/500	1770	125	560-2530	1350	60x50	510	1150	50	172	211	815	3A
321PA30E-66SG-3A	3000	600	4,0/500	1970	100	660-2930	1350	60x50	610	1150	50	172	202	855	3A
321PA38A-56SG-3A	3800	600	4,5/600	1470	100	560-2220	1350	60x60	510	1150	60	172	234	800	3A
321PA38B-56SG-3A	3800	600	4,5/600	1570	100	560-2330	1350	60x60	510	1150	60	172	232	820	3A
321PA38C-56SG-3A	3800	600	4,5/600	1670	125	560-2430	1350	60x60	510	1150	60	172	229	840	3A
321PA38D-56SG-3A	3800	600	4,5/600	1770	125	560-2530	1350	60x60	510	1150	60	172	225	860	3A
321PA38E-66SG-3A	3800	600	4,5/600	1970	100	660-2930	1350	60x60	610	1150	60	172	216	925	3A
321PA38F-66SG-3A	3800	600	4,5/600	2170	125	660-3130	1350	60x60	610	1000	60	172	190	900	3A
6-5308F	4000	600	6,0/600	1660	100	560-2340	1350	60x60	500	1150	60	184	230	930	4A
6-5308F	4000	600	6,0/600	1760	100	560-2440	1350	60x60	500	1150	60	184	230	950	4A

Notes:

- Additional hydraulics required:
 > two
- The unit is equipped with separate sideshift
- Interchangeable forks for F- and 321PA- Series
- 10 mm offset between inner and outer pair of forks
- Minimum carriage width of truck:
 • 6-5304F/08F/321PA - 1100 mm
 • \odot Fork spread over inner pair of forks 560 mm
- For different widths, minimum fork carriage width is on request

Options:

- Quick disconnect lower hooks ISO 2328 class 2 & 3
- Automatic Lubrication system
 - F- Series available for sideshift and guiding system
 - 321PA available for sideshift
- Standard fork length 1150 mm, 1000 or 1200 mm without extra cost
- Alternative forks lengths or sections
- All forks on equal level
- Separate sideshift +/- 150 mm
- Alternative load backrests
- Single arm control



Range: 2000 kg - 4000 kg

Plus:

- Shaft Guide System.
- To handle up to 3 Pallets in one handling step.
- Excellent visibility to ensure safe working conditions.
- Robust and clean design for a high level of efficiency and reliability.
- Reduced life cycle costs
- Extended maintenance intervals, adapted to the forklift truck service intervals.
- Non-sideshifting.

Model	Capacity		Load centre for FLT capacity max.	Chassis width A	Sideshift per side S	Opening range F	Load guard height Z	Fork section KxH	Fork spread W ^①	Fork length L	Fork upright D	Lic C	Cog E	Weight M	Mounting class ISO
	Q kg	LSP mm													
6-6904F	2000	600	2,5/500	1550	-	560-2240	1350	60x50	500	1150	50	157	215	650	2A
6-6904F	2000	600	2,5/500	1650	-	560-2340	1350	60x50	500	1150	50	157	209	690	2A
6-6904F	2000	600	2,5/500	1750	-	560-2440	1350	60x50	500	1150	50	157	208	705	2A
321PA30A-56WG-3A	3000	600	4,0/500	1470	-	560-2220	1350	60x50	510	1150	50	172	220	750	3A
321PA30B-56WG-3A	3000	600	4,0/500	1570	-	560-2330	1350	60x50	510	1150	50	172	215	770	3A
321PA30C-56WG-3A	3000	600	4,0/500	1670	-	560-2430	1350	60x50	510	1150	50	172	213	790	3A
321PA30D-56WG-3A	3000	600	4,0/500	1770	-	560-2530	1350	60x50	510	1150	50	172	211	810	3A
321PA30E-66WG-3A	3000	600	4,0/500	1970	-	660-2930	1350	60x50	610	1150	50	172	202	850	3A
321PA38A-56WG-3A	3800	600	4,5/600	1470	-	560-2220	1350	60x60	510	1150	60	172	234	795	3A
321PA38B-56WG-3A	3800	600	4,5/600	1570	-	560-2330	1350	60x60	510	1150	60	172	232	815	3A
321PA38C-56WG-3A	3800	600	4,5/600	1670	-	560-2430	1350	60x60	510	1150	60	172	229	835	3A
321PA38D-56WG-3A	3800	600	4,5/600	1770	-	560-2530	1350	60x60	510	1150	60	172	225	855	3A
321PA38E-66WG-3A	3800	600	4,5/600	1970	-	660-2930	1350	60x60	610	1150	60	172	216	920	3A
321PA38F-66WG-3A	3800	600	4,5/600	2170	-	660-3130	1350	60x60	610	1000	60	172	190	895	3A
6-6908F	4000	600	6,0/600	1660	-	560-2340	1350	60x60	500	1150	60	184	230	915	4A
6-6908F	4000	600	6,0/600	1760	-	560-2440	1350	60x60	500	1150	60	184	230	935	4A

Notes:

- Additional hydraulics required:
 > one
- Without separate sideshift
- Interchangeable forks for F- and 321PA- Series
- 10 mm offset between inner and outer pair of forks
- Minimum carriage width of truck:
- 6-6904F/08F/321PA 1100 mm
- ^① Fork spread over inner pair of forks 560 mm
- For different widths, minimum fork carriage width is on request

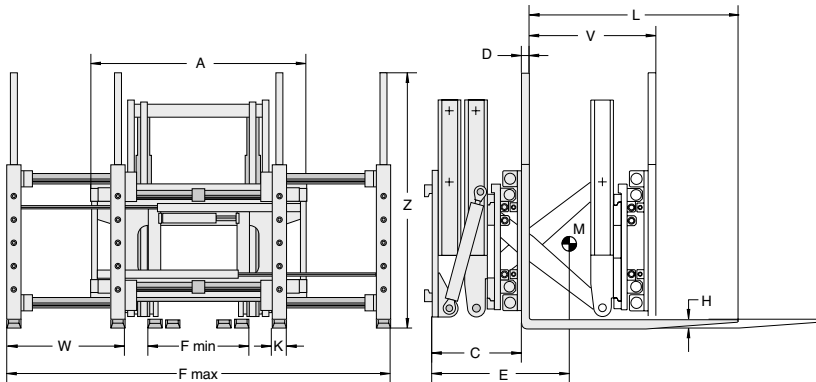
Options:

- Quick disconnect lower hooks ISO 2328 class 2 & 3
- Automatic lubrication system
 (F Series)
- Standard fork length 1150 mm, 1000
 or 1200 mm without extra cost
- Alternative forks lengths or section
- All forks on equal level
- Alternative load backrest.
- Single arm control

Range: 1200 kg - 2000 kg

Plus:

- The MEYER load-extending pallet handlers enables loading and unloading from one side of the road vehicle (further characteristics and function as the 3/2/1 pallet clamps).



Model	Capacity	Load centre	for FLT capacity max.	Chassis width	Sideshift per side	Opening range	Load guard height	Fork section	Fork spread	Fork length	extension	Fork upright	L/c	Cog	Weight	Mounting class
	Q	LSP	t/LSP	A	S	F	Z	KxH	W	L	V	D	C	E	M	ISO
	kg	mm		mm	mm	mm	mm	mm	mm	mm	mm	mm	mm	mm	kg	Kl.
3/2/1 Multi Pallet Handler - Type 6-53F-V																
6-5304F-V	1200	600	4,5/600	1550	100	560-2340	1350	60x50	500/560	1150	735	50	460	950	1180	3 A

Notes:

- Additional hydraulics required
> three for use of sideshift, extension and fork positioning function
- All forks are interchangeable
- 10 mm offset between the outer and middle forks.
- 6-53F-V
Spreading distance of the inner pair of tines in the open state 560 mm

Options:

- Automatic permanent lubrication (only for F and G series)
6-53F-V
- G-Series heavy-duty wear bars on the upper sideshift (abrasive stress, e.g. glass or cement industry)
- Solenoid valve
- Solenoid valve control kit (cable drum, push button, relay)
- Fork lengths 1150 mm, 1000 or 1200 mm without extra costs
- Other fork lengths or cross sections
- All forks aligned on one level
6-53F-V
6-53F-V sideshift +/- 150 mm
- Alternative load guard designs