



Be Crafty.

Technique Tutorial

How to Apply Two-Part Grommets with a Tool Kit

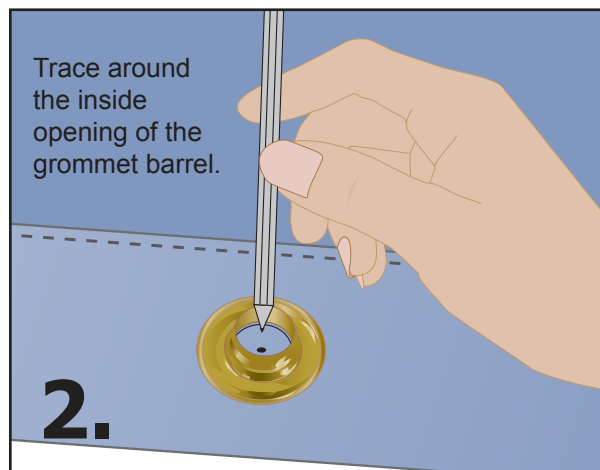
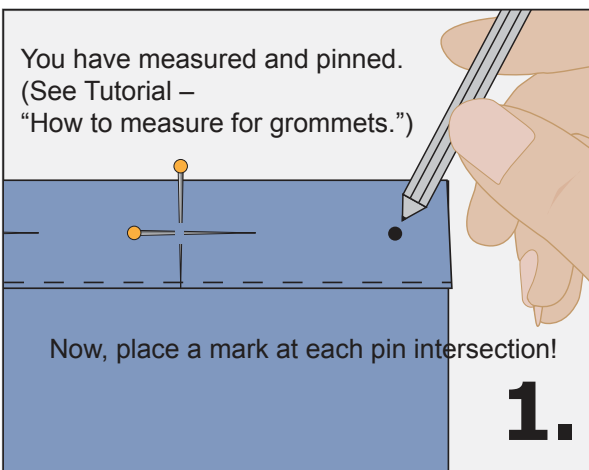
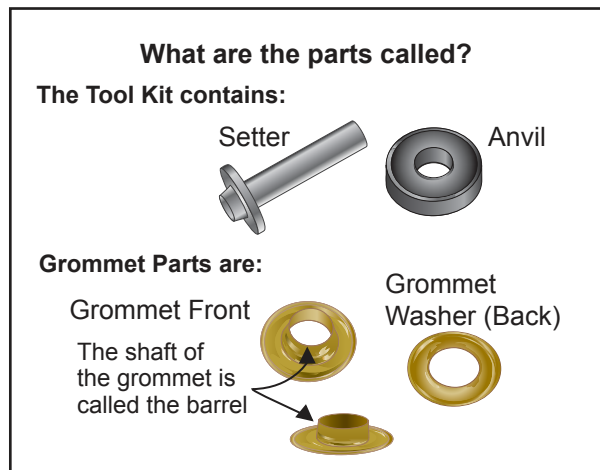
Grommets! You can use them on so many projects – curtains, bags or to lace up clothing. Who can resist? But how are they applied? What do you need? Find out below!

There are many sizes of grommets and many finishes. They even have two interchangeable names – Grommets or Eyelets. Construction can also vary. This tutorial shows you how to apply those with two parts. Packages will tell you what tools can be used.

Supplies:

Your fabric, hemmed
Dritz® 5/32" 1/4", 3/8", 7/16" Grommets
or Eyelets*
Check to be sure they are 2-part.
Dritz® Tool for Grommets / Eyelets specified
on the package
Straight Pins - any style
Dritz® Marking Pencil
Hammer
Sharp Scissors

*NOTE: The size is the center opening
of the eyelet or grommet.

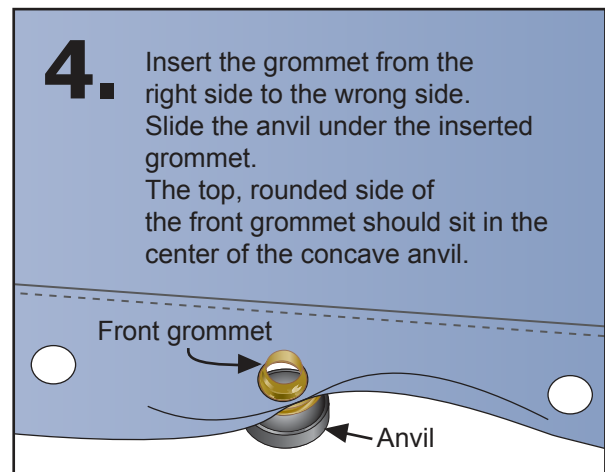
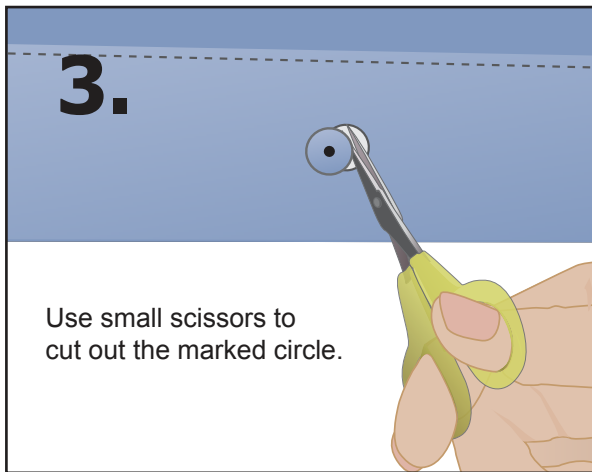




Be Crafty.

Technique Tutorial

How to Apply Two-Part Grommets with a Tool (continued)



Set the scene: Underside up, grommet extending through hole, and anvil underneath.

