



THANK YOU FOR PURCHASING A 100% "MADE IN CANADA" PRODUCT

Premier Skis are designed to be used with 3- or 4-wheel strollers (single or double wheels). Installation is the same for any type of wheel; however, for double wheels, the ski is attached to the outer wheel. For 3-wheel strollers with a double wheel on the front, the ski can be attached to either wheel.

An initial setup is required for each ski in order to match the ski to the size of wheels on the stroller. Further use of the skis simply requires you to strap/unstrap the skis.

Assembly Instructions:

Tools required:

- 1 large square or Phillips (star) screwdriver
- 1 marker
- 1 child to help, laugh and make fun of you.

Step 1:

Open the box and verify contents:

- | | |
|-------------------|-------------------|
| 3-Ski | 4-Ski |
| • 3 skis | • 4 skis |
| • 6 supports | • 8 supports |
| • 6 bolts | • 8 bolts |
| • 6 nuts | • 8 nuts |
| • 6 washers | • 8 washers |
| • 6 velcro straps | • 8 velcro straps |

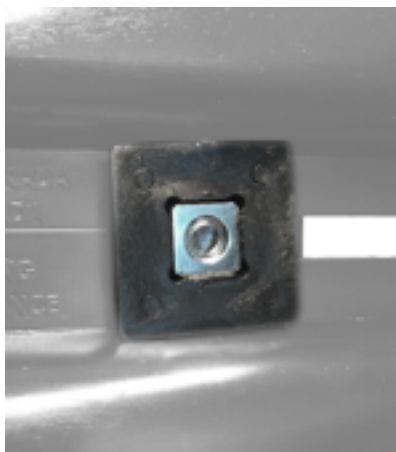


Step 2:

Loosely attach 2 supports to each ski. Use 1 bolt, 1 washer and 1 nut per support. First slide the washer onto the bolt. Then screw the bolt into the support. With the support on top of the ski, place the nut underneath, ensuring that the metal part of the nut is visible under the ski, and then tighten the bolt further. Do not tighten completely.

SUPER IMPORTANT!!!

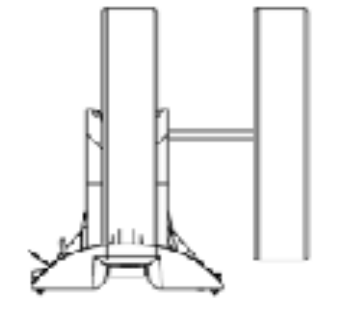
The metal square nut must be visible from the bottom and face the ground when the ski is upright.



Step 3:

For each wheel, place the wheel in the center of the ski, on the curve. For double wheels, place the outside wheel on the ski. The inside ski will simply be suspended.

TIP: For deeper snow or larger wheels, place the wheel further back on the ski, so that there is more ski on the front than on the back.



Step 4:

Slide each of the supports along the ski so that they sit snugly against each side of the wheel. Use the marker to mark the position of the supports.

For smaller wheels (4" to 8"), you can tighten the screws with the wheel in place. Simply pass your screwdriver between the support and the wheel to access the bolt. For larger wheels (8"+), remove the ski.

TIP: If all the wheels are of the same diameter, adjust the other skis to the same position and tighten.

Step 5:

For larger wheels, remove the ski and reposition the supports at the marks. Tighten the bolts so that the supports can no longer slide along the ski.

How to Use:

Step 1:

Re-position the skis under each wheel.

Step 2:

Use two velcro straps per ski.

Tighten each strap around each vertical support and through the wheel.



Step 3:

Repeat the same process with the remaining wheels. Now go glide!

Step 4:

To remove the skis, simply remove the velcro straps.

FURTHER TIPS:

- It is recommended to lock the direction of the front wheels in order to keep the skis going in a straight line.
- For deeper snow or larger wheels, slide the supports back so that the wheels sit further back on the ski. This will help move more easily through the loose or fresh snow.
- For larger wheels, it is recommended to apply the brake on the back wheels for a better glide.

For further tips, advice and videos, please go to www.premierski.ca or email us at info@premierski.ca

SAFETY

Your child's safety is your responsibility. Never leave your child or stroller unattended. Supervision required at all times. Skis do not come equipped with brakes. Only use skis on flat surfaces. Not recommended for deep snow.