

ZOHD

DRIFT

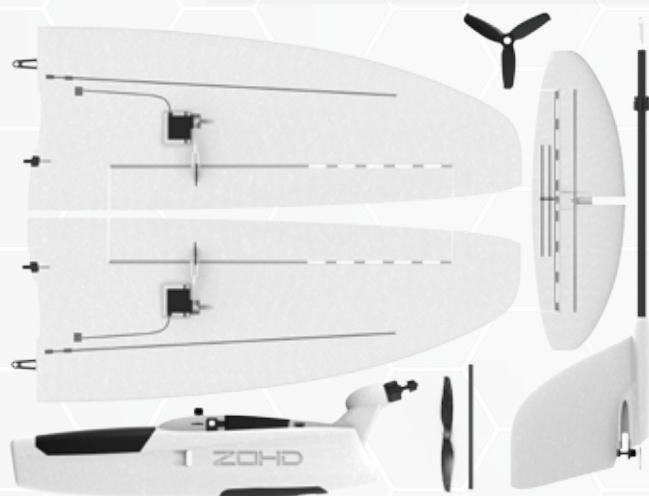
User Guide

Thank you for supporting us
buying a ZOHD DRIFT

Stay connected with us through our social media channels:



Contact us: info@sonicmodell.com sales@sonicmodell.com
Customer service: cs@sonicmodell.com
www.zohd.net



Description of ZOHD DRIFT:

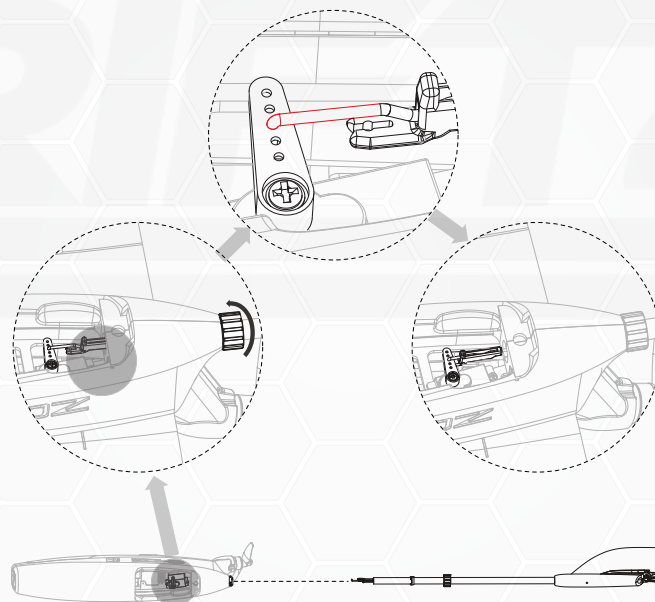
Brand Name: ZOHD
Item Name: DRIFT
Material: High Quality EPP
Wingspan: 877mm (34.52")
Length: 688mm (27.08")
Recommended take off weight: 240-320g

OPTION A (2S Version)

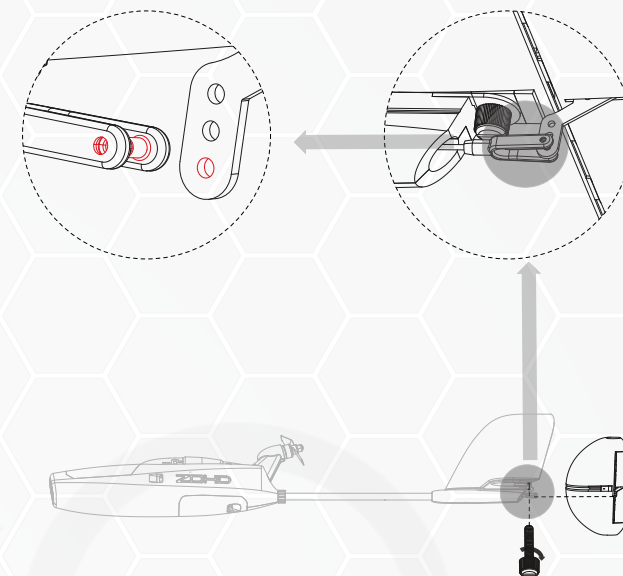
Motor: 1406-2600KV
ESC: 30A w/5V 2A BEC
Servos: 4.3g*2, 8g*1
Propeller: 2 blade 5x5
Recommended Battery:
Lipo 2S 900-1500mAh
ZOHD Lionpack 18650 2S1P 3500mAh

OPTION B (3S Version)

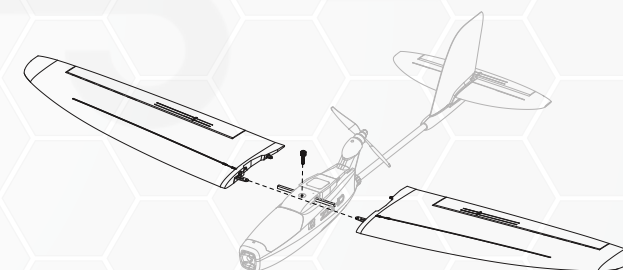
Motor: 1406-2600KV
ESC: 30A w/5V 2A BEC
Servos: 4.3g*2, 8g*1
Propeller: 3 blade 3x5x3
Recommended Battery:
Lipo 3S 800-1100mAh



1. Install the tail boom following the graphics. The pushrod goes in the middle hole of the servo arm. Don't forget to lock the clevis against the pushrod when you're set. The tail should align perfectly with the motor. Once all is connected, twist the plastic wheel to lock the boom in position.



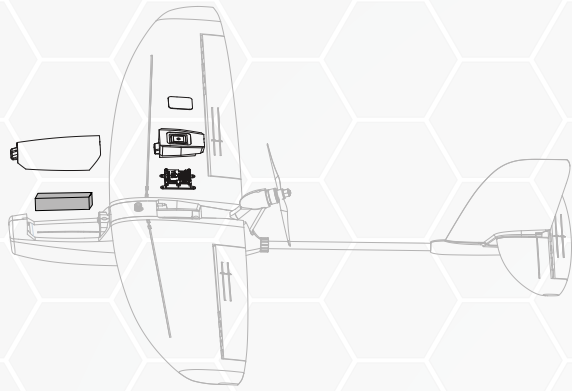
2. Install the horizontal stabilizer and make sure you're matching the hole on the tail section. Use the provided thumbscrew to lock the horizontal stabilizer in place. Connect the clevis to the last hole of the control horn.



3. Unscrew the provided thumbscrew for the main wings. Connect the main wings, making sure both are touching the fuselage. Install the thumbscrew again to lock the main wings in position.

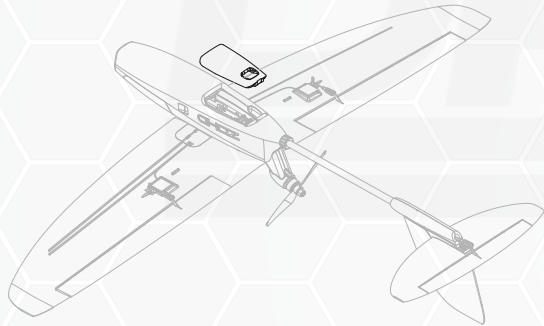
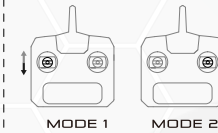
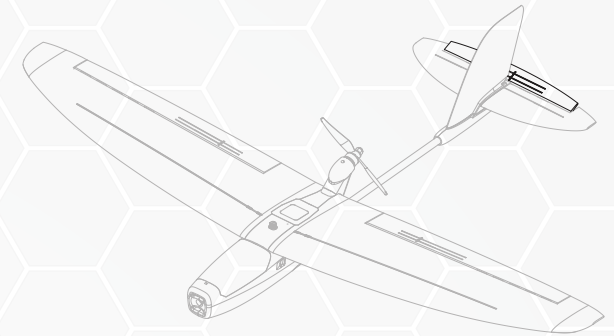
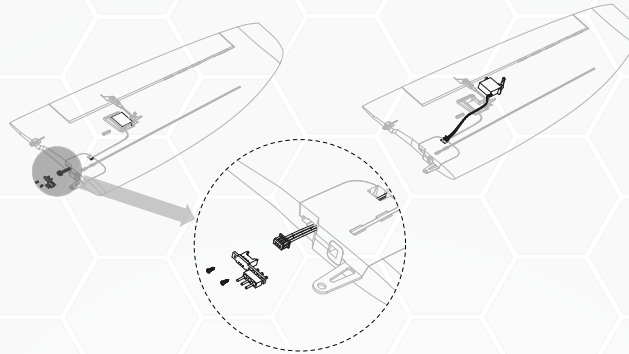
ZOHD

Inspiring The Future

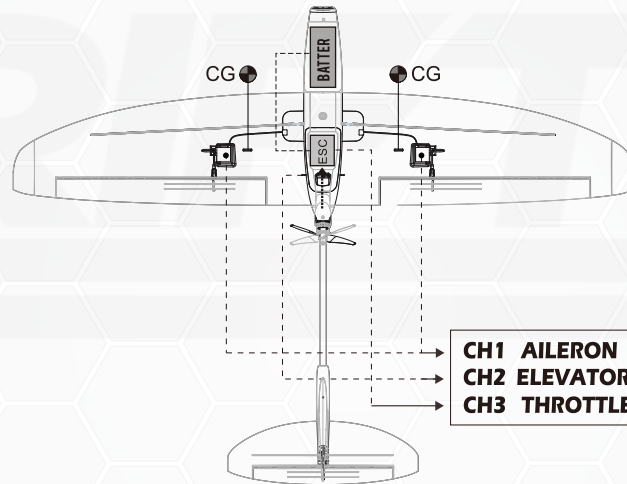


4. Install all your gear: Radio RX, flight controllers, battery, etc. Check that all your surfaces are moving correctly before going to fly.

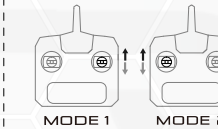
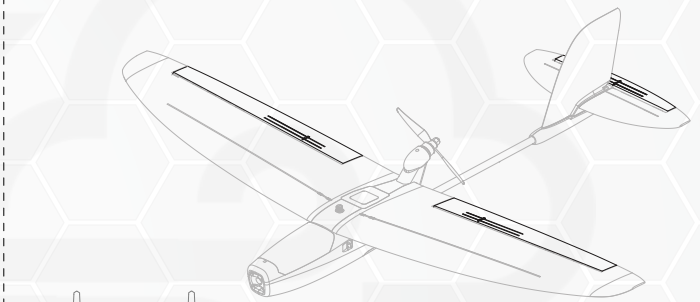
7. In case you need to change a servo: Simply remove the screws that hold the servo connectors on the wings, disconnect the old servo and connect the new one, re-routing the cable in the same way it was before. Screw the assembly back on and you're ready!



5. Close the bottom hatch.



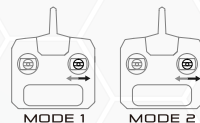
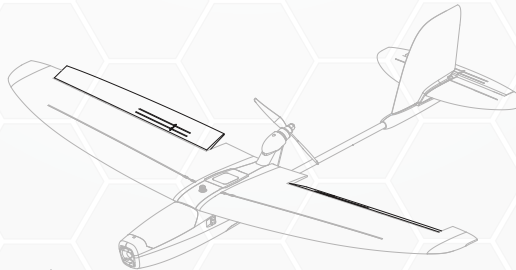
CG: 81.5mm from the leading edge



For the ESC manual, please download the PDF version from our website: www.zohd.net



6. ZOHDrifter can host most AIO cams on the market and micro HD as well (whoop style).



VERY IMPORTANT: Please read!

- * ZOHDrifter is meant to be a slow cruiser. IT'S NOT a RACING/ AEROBATIC plane
- * Per design, the model performs better under 50km/h, do not exceed that limit
- * Use the recommended props for 3S or 2S. Any other option is at the pilot's risk
- * This plane is optimized for lift, gliding, soaring and gentle turns. Do not perform aerobatics
- * Any use of the model outside the mentioned points may finish with damage to the unit