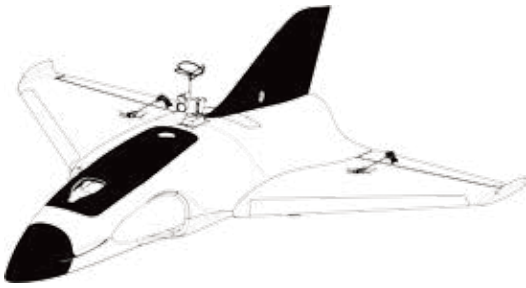


ZOHD MKIII SERIES

DELTA STRIKE



User Guide

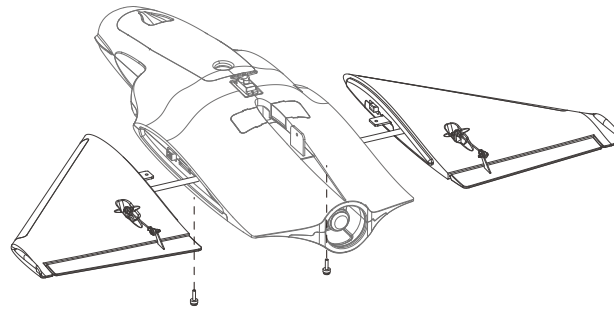
Thank you for supporting us
buying a ZOHD Delta Strike

Stay connected with us through our social media channels:

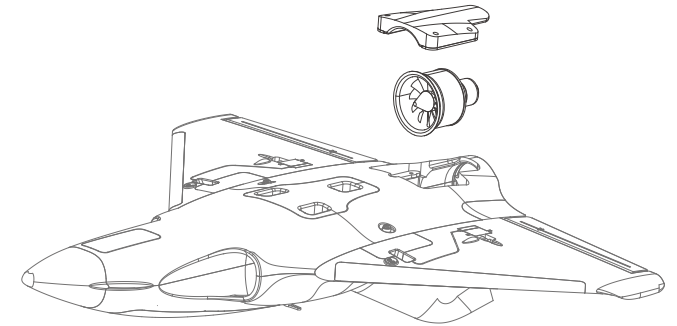


Contact us: info@sonicmodell.com sales@sonicmodell.com
Customer service: cs@sonicmodell.com

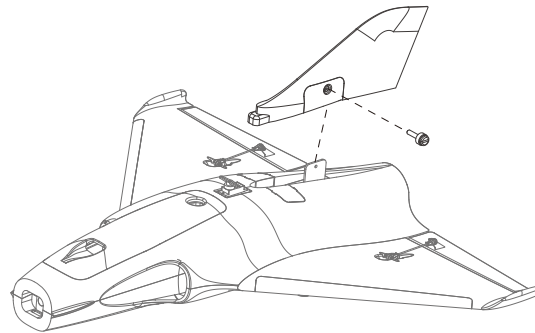
www.zohd.net



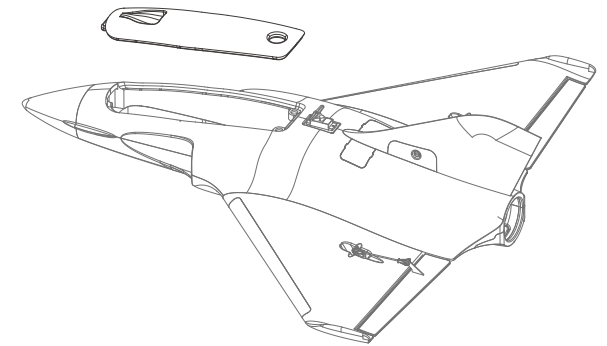
Install the main spar. Attach the wings and secure them with the provided thumbscrews



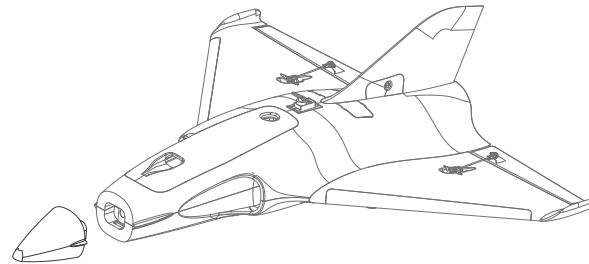
The EDF unit can be accessed through the dedicated hatch. Always firmly secure that hatch with the provided screws.



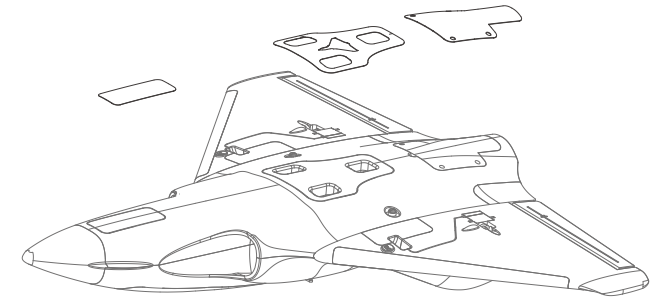
Install the vertical stabilizer with the provided thumbscrew.



Once all your gear is in place you can close the main hatch



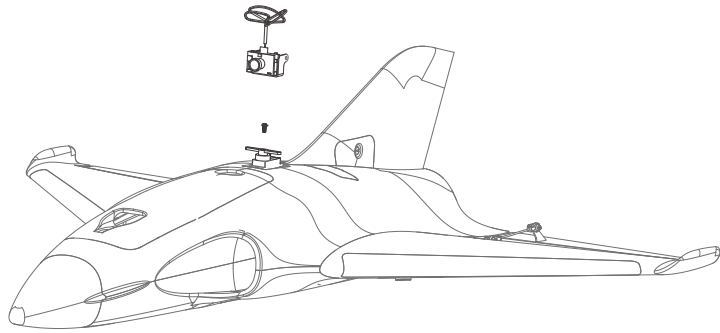
The nose cone is attached by magnets, providing a quick release, avoiding damage during hard landings.



Install the Teflon landing skin according to the graphic.

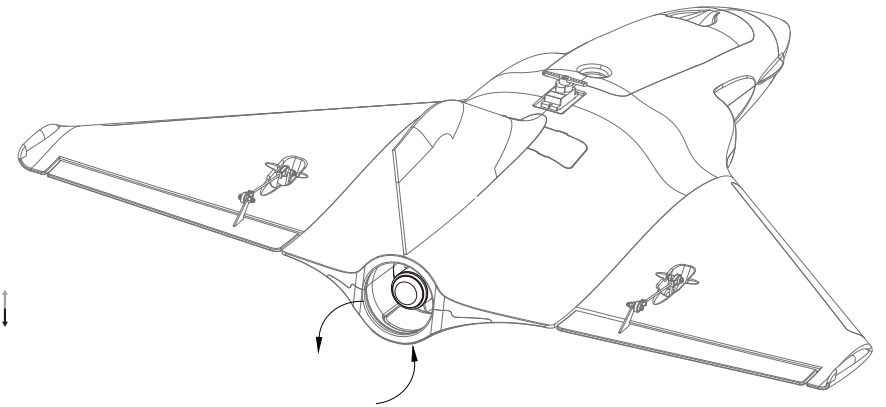
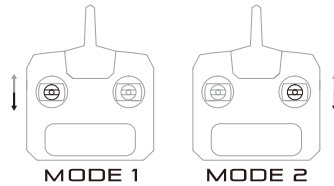
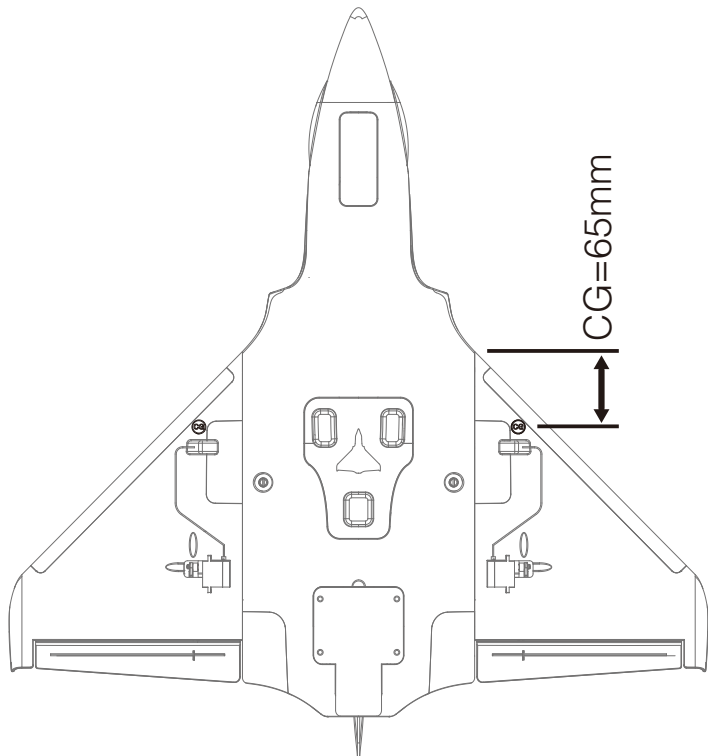
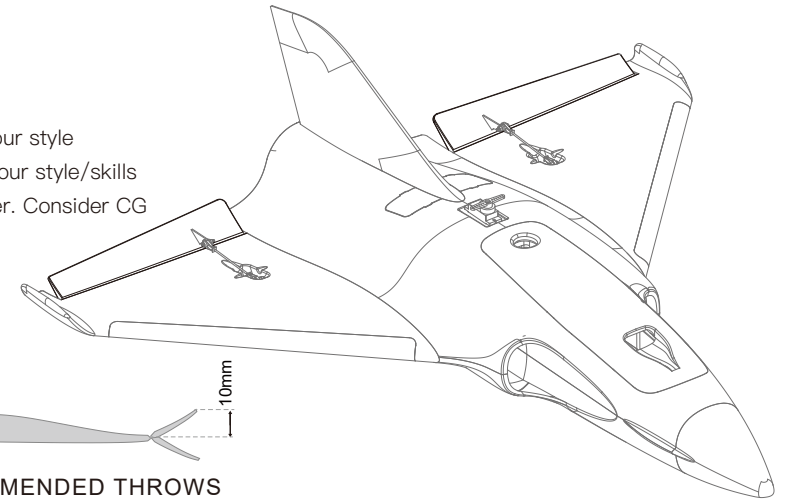
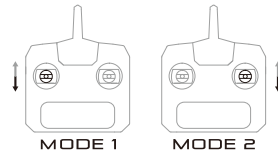
ZOHD

Inspiring The Future



Install your FPV camera of choice on top of the 180° pan servo.

Min. recommended speed: 30km/h
 Max. Speed (with default power combo): 120+km/h
 Recommended takeoff weight: 750g
 Reflex on elevons: 1.5–2mm at level
 Recommended max. Throws: 10mm depending on your style
 Recommended expo for manual: 55–70 depending your style/skills
 Recommended Battery: 4S 1500–2200 50C or higher. Consider CG



This model requires experience to setup and fly. It's by no means designed for beginners. If you're starting in the hobby, please check some of our other products that will be more suitable for beginners. This is a powerful unit considering the size and weight and will require you to have strong orientation abilities, specially flying line of sight. We also recommend you to fly this unit with stabilization (flight controller) unless you're extremely skilled with the sticks.

Finally consider adding lead weights to achieve a perfect CG balance. Enjoy!