

[Skip to content](#)

Manuals+

User Manuals Simplified.

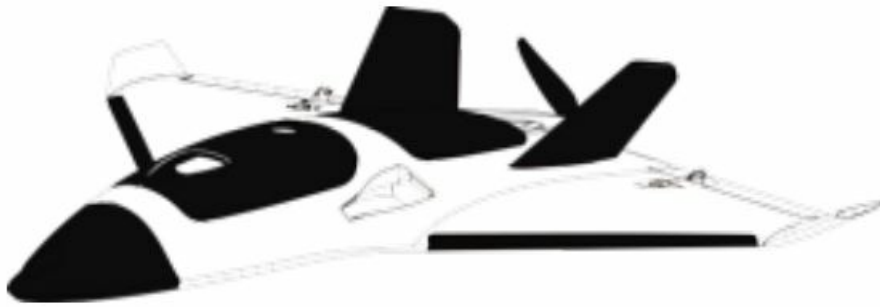


ZOHD MK III Alpha strike User Guide

Home » [ZOHD](#) » ZOHD MK III Alpha strike User Guide 

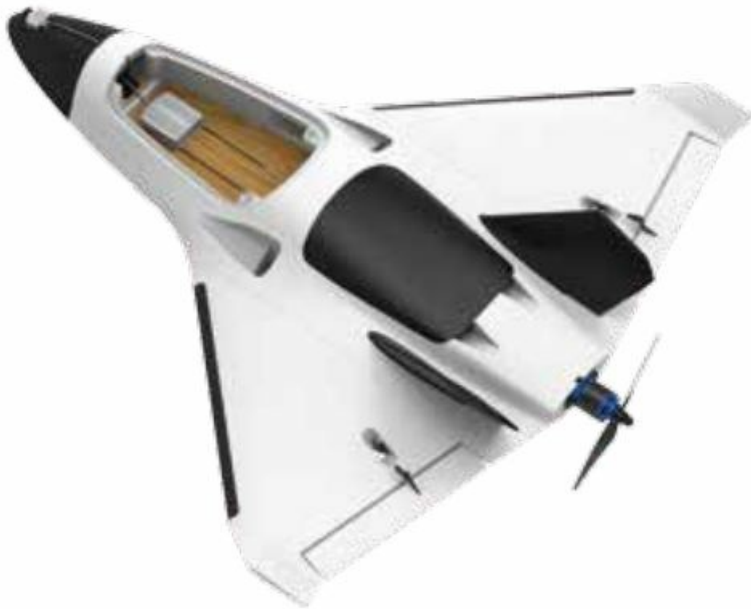
ZOHD MK III Alpha strike User Guide

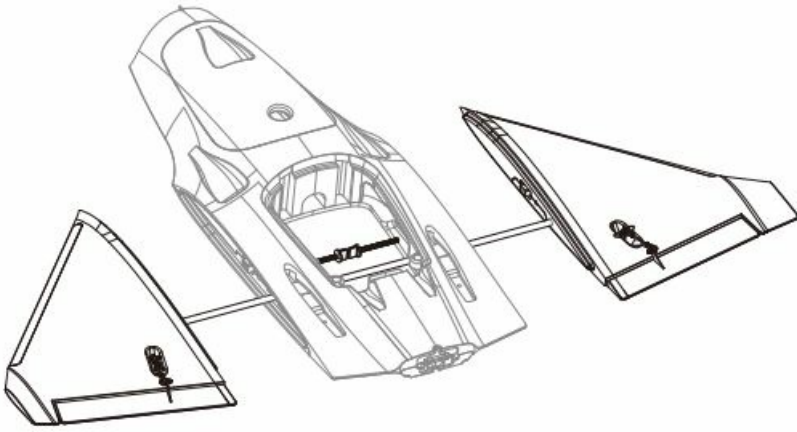
ZOHD
MIKIII
SERIES



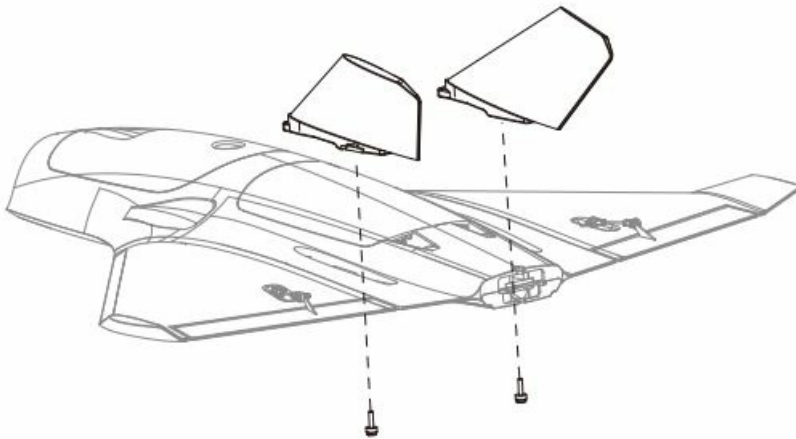
User Guide

Thank you for supporting us
buying a ZOHD Alpha Strike

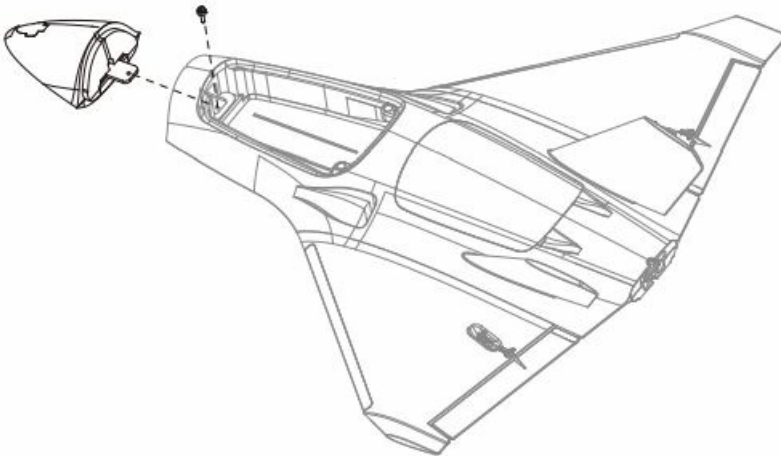




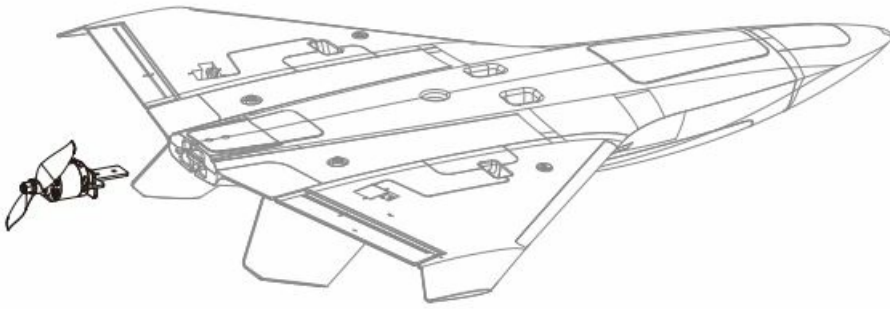
Mount the main wings with the provided thumbscrews. Don't forget to place the main spar first.



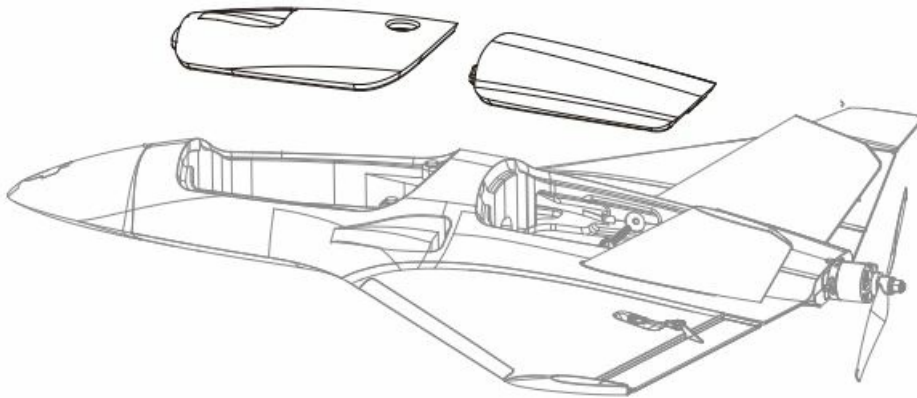
The vertical fins are removable and can be fixed by the 2 provided thumbscrews.



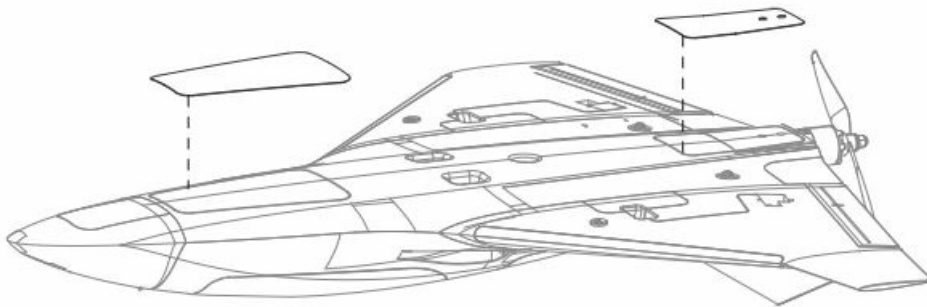
You can add the nose of your choice using the provided screw.



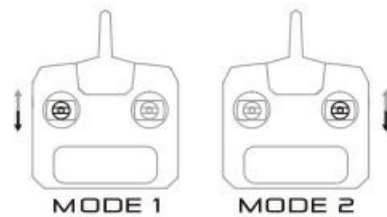
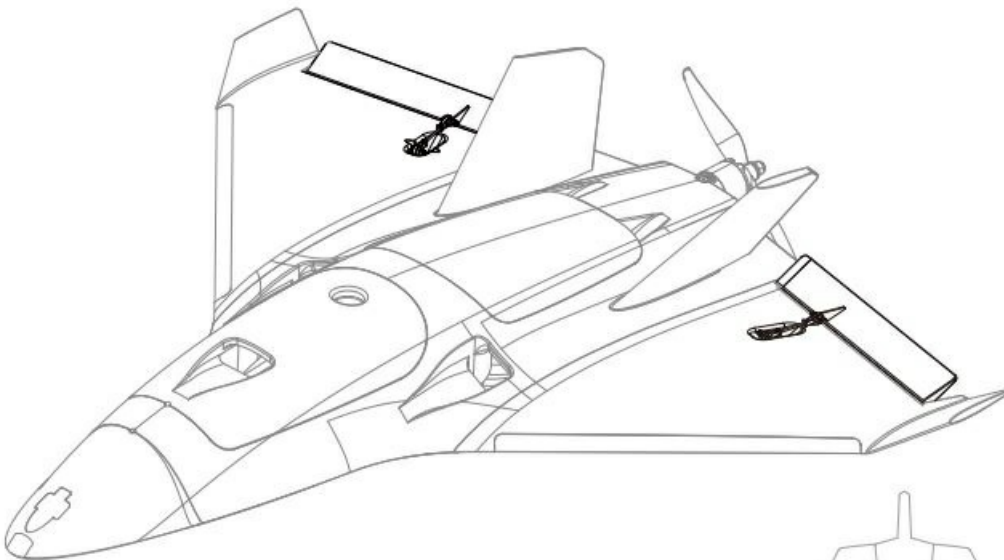
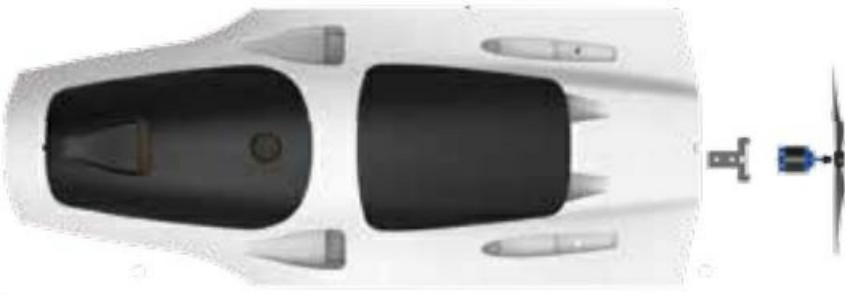
You will fix the motor seat with the 2 provided screws. Be sure is aligned and firmly tighten.



Once you placed all your FPV gear, be sure both hatches fit flushed against the fuse.



Attach the Teflon skin protection for landings according to the figure.



Empty weight (PNP): 441g

Min. recommended speed: 25-33km/h

Max. Speed (with default power combo): 185+km/h

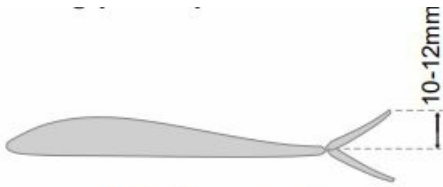
Cruise speed (with default power combo): 86km/h @ 5A

Max Speed tested without structural failure: 192km/h with no structural damage or twist on elevons

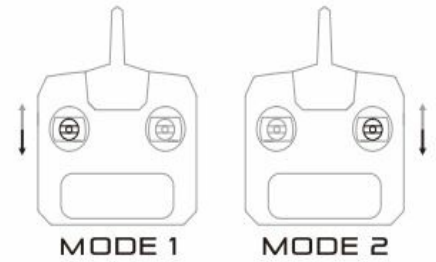
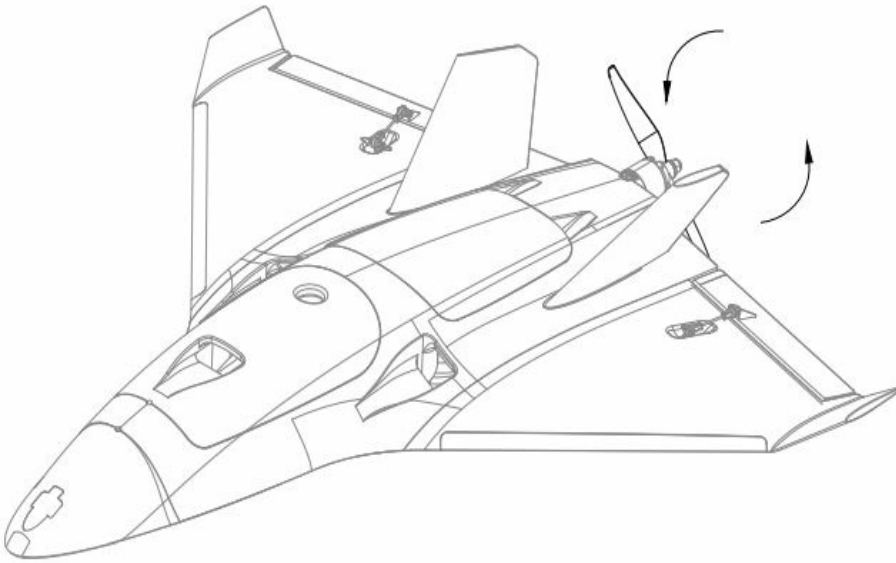
Max recommended takeoff weight: 900 grams (with default power combo)

Reflex on elevons: 3mm at level

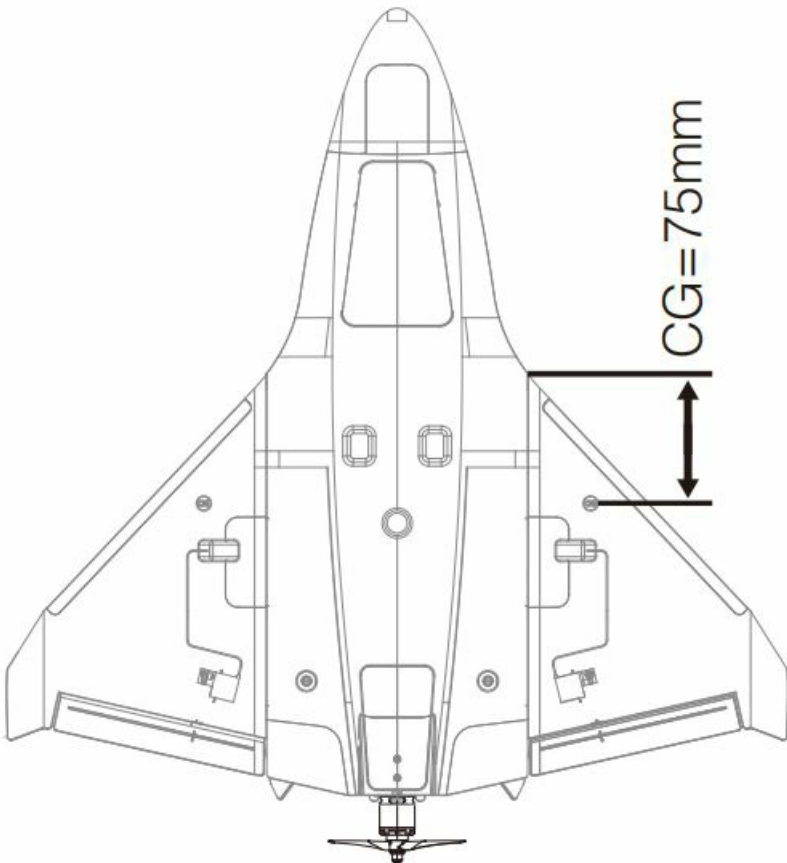
Recommended max. Throws: 10-12mm depending on your style Recommended expo for manual: 55-75 depending your style/skills



RECOMMENDED THROWS



This model requires experience to setup and fly. It's by no means designed for beginners. If you're starting in the hobby, please check some of our other products that will be more suitable for beginners. This is a powerful unit considering the size and weight and will require you to have strong orientation abilities, specially flying line of sight. We also recommend you to fly this unit with stabilization (flight controller) unless you're extremely skilled with the sticks. Finally consider adding lead weights to achieve a perfect CG balance. Enjoy!



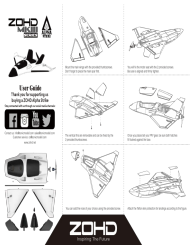
Stay connected with us through our social media channels



Contact us: info@sonicmodell.com
sales@sonicmodell.com
Customer service: cs@sonicmodell.com
www.zohd.net

Contents [[hide](#)]
[1 File Downloads](#)
[2 References](#)
[3 Related Manuals](#)

File Downloads



ZOHD User Guide [Download](#) [optimized]
MK III Alpha strike [Download](#)

References

- [FPV | ZOHD](#)

Related Manuals

1. [ZOHD Talon 250G User Guide](#) User Guide ZOHD Talon 250G Thank you for supporting us...
2. [ZOHD Drift FPV Glider User Guide](#) ZOHD Drift FPV Glider User Guide Description of ZOHD DRIFT:...
3. [ZOHD Talon GT Rebel Aircraft Ultimate FPV Machine User Guide](#) The Ultimate FPV Machine Not just another Talon At ZOHD...
4. [ZOHD Orbit Neon User Manual](#) User Manual ZOHD Orbit Neon A bit of History.....
5. [DART SL Extreme ZOHD User Guide](#) User Guide Thank you for supporting us buying a Dart...
6. [hulkman Alpha 85S Jump Starter User Guide](#) hulkman Alpha 85S Jump Starter User Guide Model: Alpha 85...