

TURBO[®]
RACING

1:76 RC CAR

TURBO RACING, TABLE RACING, TOP RACING

100% RTR (READY-TO-RUN) MODEL

C75

INSTRUCTION MANUAL



14+
AGES

Age-appropriate tips

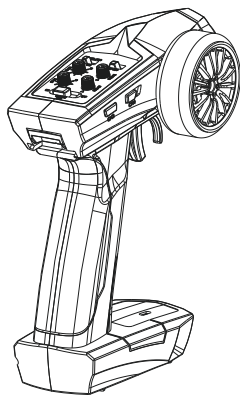
www.turboracing.net

Please read the manual before using the product and keep the manual for future use.

SAFETY INFORMATION

- Movable parts are dangerous, so it is forbidden to put fingers、hair、clothes and other things into the space between the tire and the car body, to avoid being clamped by the rotating parts.
- Please play the car with the following scene:
Please don't play in places where the car is running or near children, then avoid the risk of collision.
Please don't play it in sand、water or dust, then avoid trouble.
Please don't play towards people or animal, then avoid accident.
- For functional requirements, this product contains sharp parts, please follow the correct steps and use methods, pay attention to eye safety.
- Please don't bend or throw the product or play it with rough ways, then avoid an accidents.
- Please don't put this product into water or fire source(such as stove、gas stove,etc.), then avoid accidents.

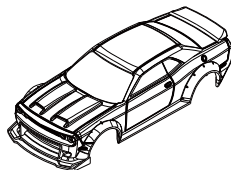
THE PACKAGE CONTAINS



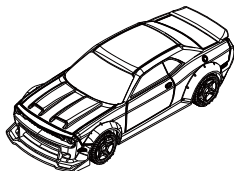
1*Transmitter



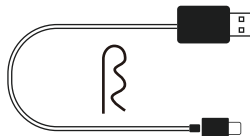
1*Manual



2*Material bodyshell

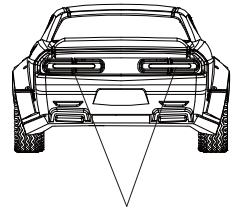
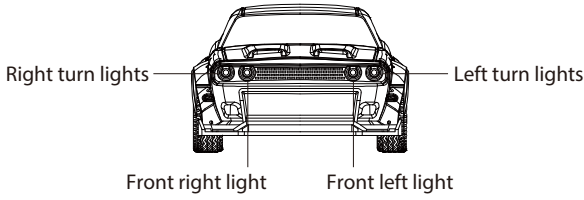


1*Car

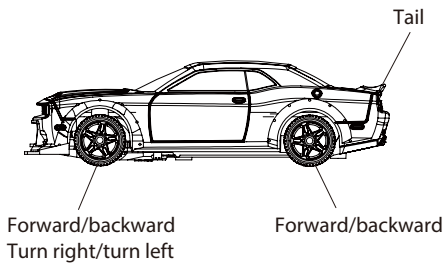


1*Type-C line + 1*Bind

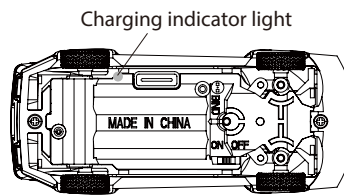
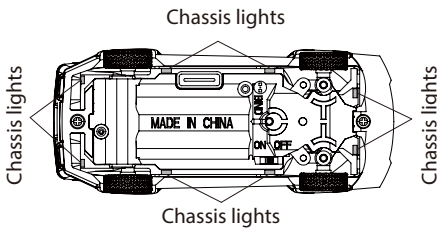
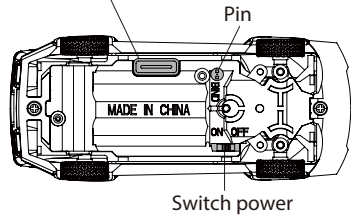
FUNCTION DESCRIPTION



Taillights/Highlighted brake lights/left and right turn signal



Recharging hole: connect Type-C line



PREPARE FOR RUN

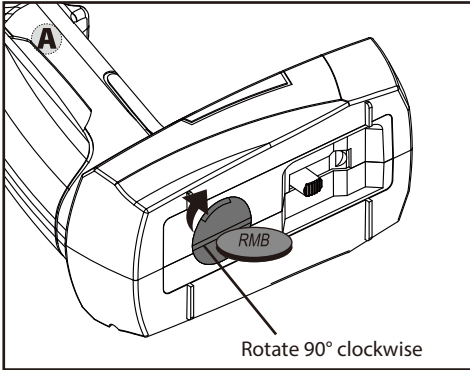
1 Transmitter battery installation

This remote uses AAA battery or Ni MH battery, when the voltage is lower than $4.5V \pm 0.2V$, the LED starts flashing.

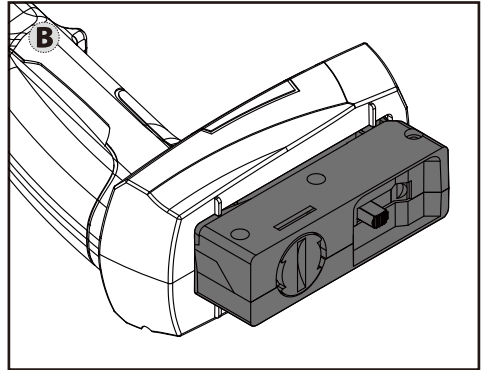
Note: instructions for safe use of the replaceable battery of the remote control:

1. non rechargeable batteries cannot be charged; rechargeable batteries can only be charged under the supervision of adults.
2. the rechargeable battery shall be removed from the remote control before charging; different types of batteries or old and new batteries cannot Mixed use.
3. the battery shall be placed in the correct polarity; the exhausted battery shall be taken out from the remote control; the power terminal shall not Short circuit to.

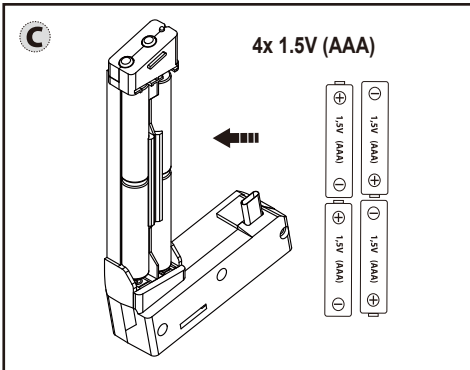
1. Transmitter battery installation. (Picture A-D)



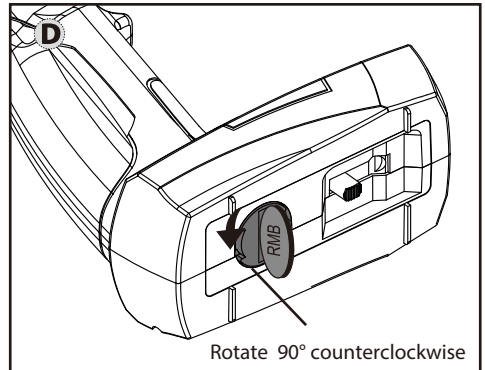
A. Turn the coin button clockwise 90°



B. Take out the battery box from the bottom of the remote



C. Install four AAA batteries according to the polarity mark on the battery case bracket



D. Install the battery box. Insert the battery box into the handle and rotate coin button 90° counterclockwise. The battery box is installed.

Note: Type-C port is aligned with the bottom hole

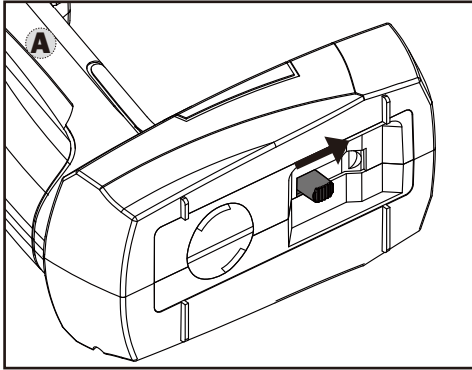
⚠ WARNING : DO NOT KEEP THE BATTERY IN THE BATTERY COMPARTMENT FOR A LONG TIME TO AVOID BATTERY OXIDATION AND DAMAGE THE PRODUCT.

2 Charging

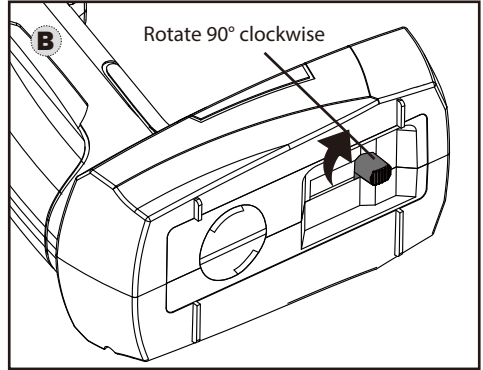
When the car is in power off status, it can be charged in the following two ways; (Please charge the RC car for the first time you use.)

Tip: When the car is power on, it will not be charged when charging power is inserted. If need charge the car, the car's power switch must be turned "OFF".

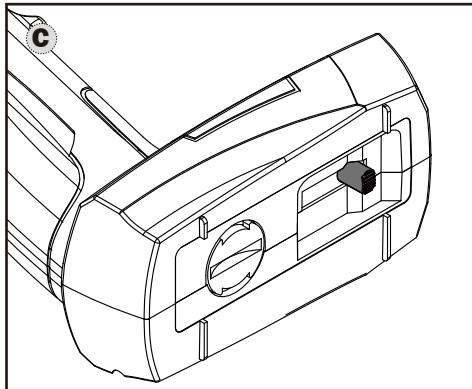
1. Use the hidden Type-C port on the remote to charge the car. (Picture A-F)



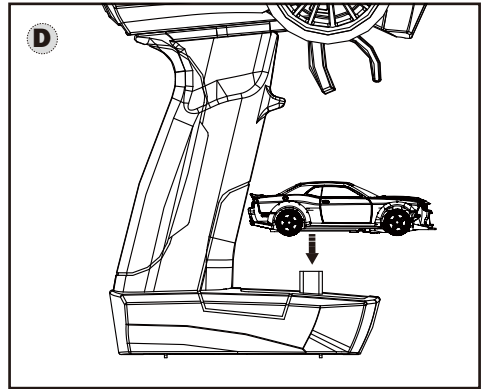
A. Push the charging rod forward to the bottom.



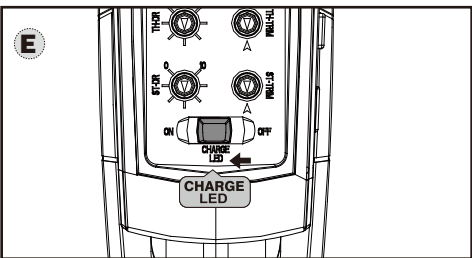
B. When the push rod on the bottom, then rotate the push rod 90° clockwise



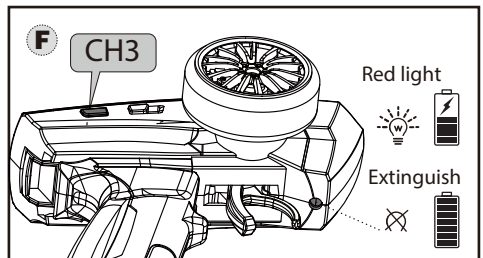
C. The push rod rotate 90° clockwise done, launch port finished.



D. The remote and the car must be off at the same time, and then plug the car into the remote charging port for charging.



E. After the vehicle is plugged into the charging port, switch the remote switch to the charging mode.



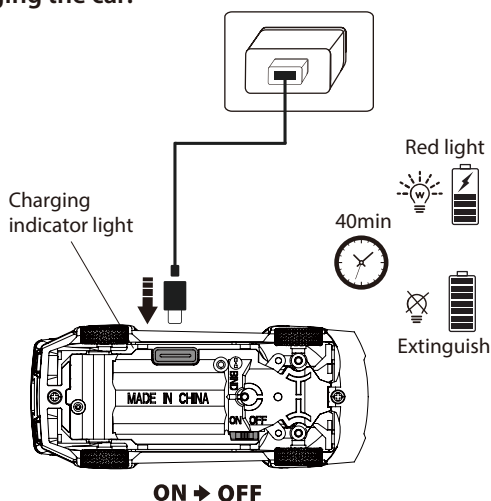
F. Then the default red led of the remote is long light. If the charging led light of the remote is off, means the charging is completed. (Short press channel 3 to switch the color of the multi-color light, long press channel 3 to switch the breathing light).

2. Insert the attached charging cable into the charging port of the car and connect the power supply for charging. (as picture shows)

Tip: When the car is power on, it will not be charged when charging power is inserted. If need charge the car, the car's power switch must be turned "OFF".

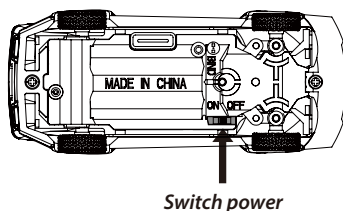
The remote control vehicle should be charged by an adult; The charger is not a toy, The remote control vehicle can only use the recommended charger (5V/1A); Disconnect the remote control vehicle from the charger before cleaning.

Note: Before charging the car, make sure the charging plug is dry.
Do not leave when charging the car.



3 Turn on/off the power of the car

Vehicle startup: in the shutdown state, turn on the power switch (push to the "on" position), The vehicle starts up after the LED lights up for 1 second.

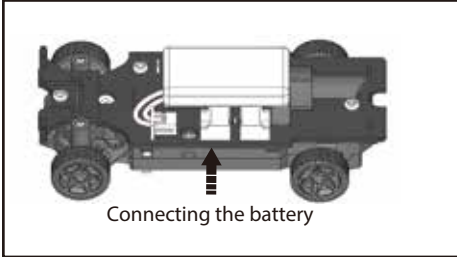


If the front light of the car stays on, it indicates that it's connected with the remote control.
If the front light of the car is flashing, please check whether the power of remote control has been turned on. If yes, you need to re-code the remote control with the car. (See page 10 for details)

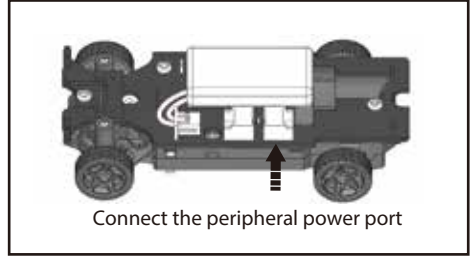
Turn off the car: Turn off the power switch, (switch to "OFF" position), the LED goes off and the the car is power off.

4 Vehicle battery replacement/peripheral power supply

If it is necessary to disassemble or replace the battery, please pay attention to the correct plug position. If the battery is connected to the external power port, the vehicle will be directly powered on, and plugging it in backwards will cause the power switch to be inoperable, and the vehicle will not be able to charge. Please connect the battery correctly.



Connect the battery socket



Connect to external power port, voltage 3.2-4.2V

OPERATION NOTE

Note: If you're the first time to use the 1:76 RC drift car, please take a few minutes to read this statement carefully to get familiar with different features of this operation system.

1 Functions Transmitter

Multi function indicator LED:
The remote control uses AAA or Ni-MH battery. When the voltage is lower than $4.5V \pm 0.2V$, the multi-function LED indicator light will flash quickly, please replace the battery.

Three section throttle speed limit switch: 20% / 50% / 100%.

Throttle DR:
throttle DR is used to adjust the throttle stroke and set the car speed freely.

Steering DR:
steering DR is used to adjust the steering angle of the front wheels to make the car reach the best turning radius.

Channel 3 button:
control the car chassis light on / off; when is charging, short press channel 3 button to switch the color of multi-color light; Long press channel 3 button to switch breathing light.

Disassemble the remote:
the handle can be disassembled (as shown in picture 1)

Channel 4 button:
Channel 4 is a three section switch, One section switch turns off the front and rear lamps of the vehicle;
The front and rear lights of the two-stage switch remain on for a long time; When it is on for a long time, there are brake lights and turn signal lights.
The front and rear lights of the three section switch flash; In the flashing state, there is no brake light or turn signal.

Steering Rev:
Use the reverse steering switch to reverse the left and right directions.

Throttle trim:
When the throttle trigger is in the middle point, if the car is moving forward or backward, please adjust it with TH/TRIM "+" or "-" button.

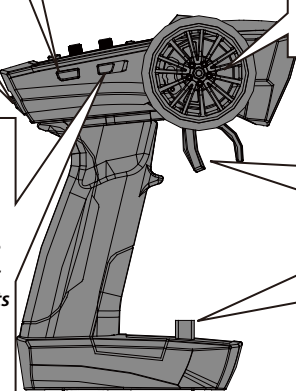
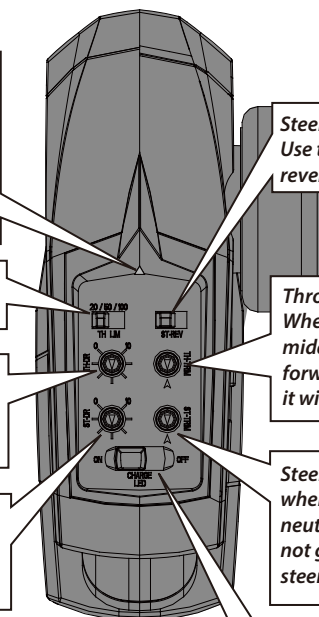
Steering fine adjustment:
when the adjusting wheel is in the neutral position, if the front wheel is not go straight line, please use steering fine adjustment.

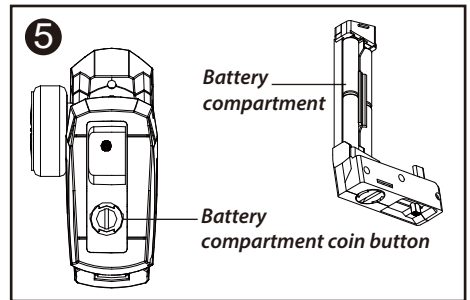
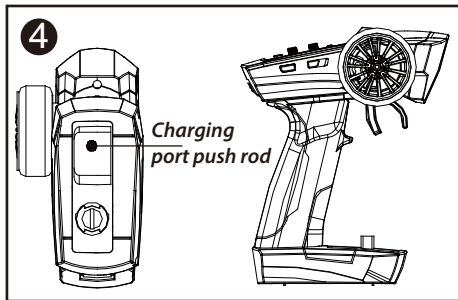
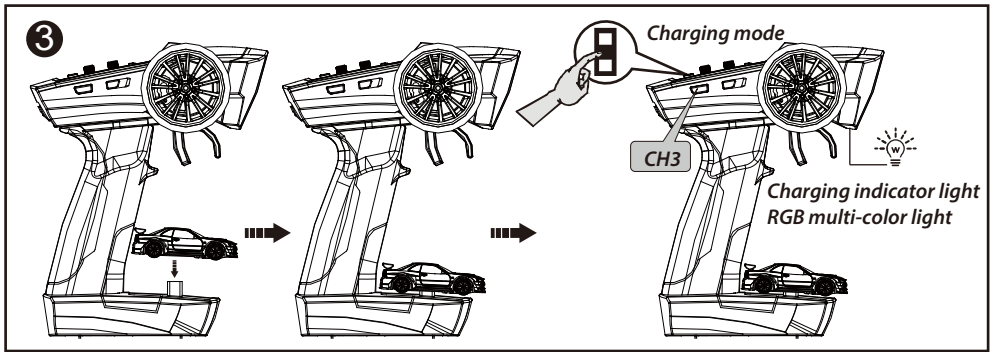
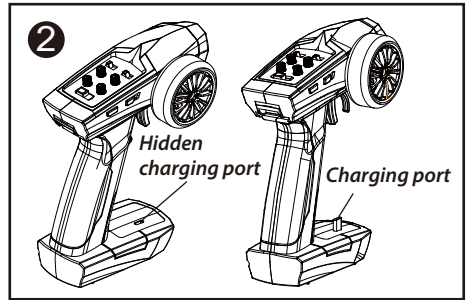
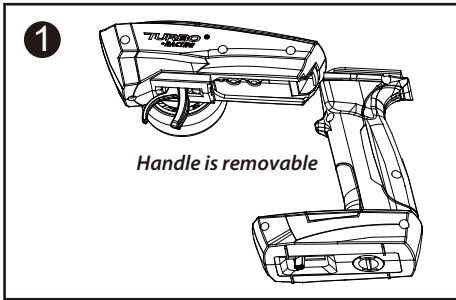
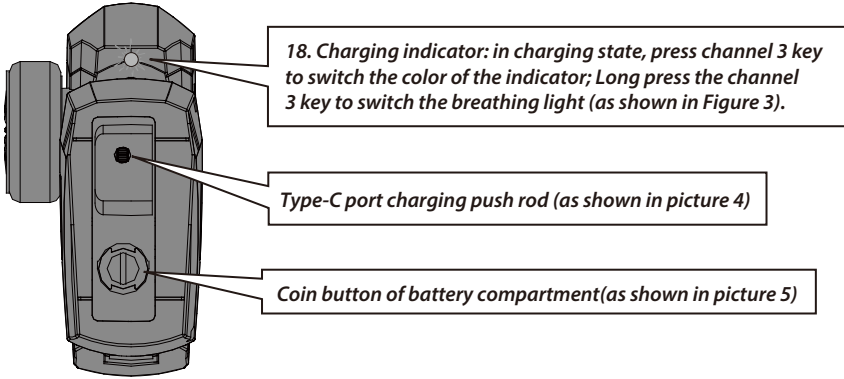
On/Off Switch:
turn on / charge switch / turn off the transmitter

Steering wheel:
control left / right steering

Throttle trigger:
Control forward / brake / backward.

Type-C charging port:
hidden port for charging the car (as shown in picture 2)

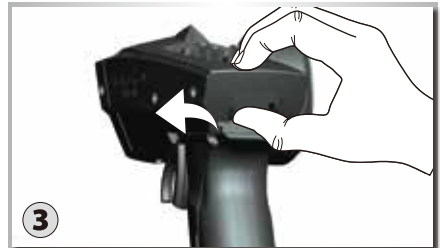
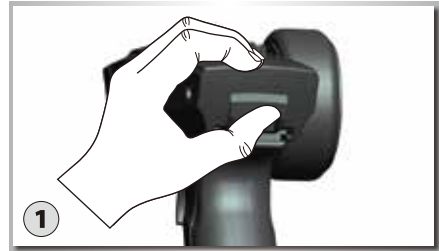




2 Install and remove the remote control handle

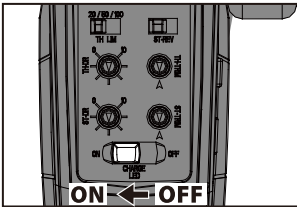
1. Press the button.
2. Remove the handle.
3. Press and hold the remove button and push the handle inside.

Tips: Pay attention to the direction of the handle.

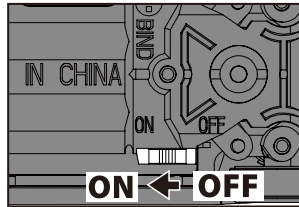


Note: If the handle of remote is in a wrong direction , it will not be powered on. Please install the handle correctly according to the instructions.

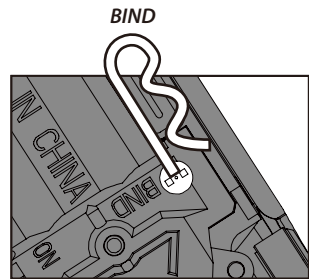
3 Binding



1. Switch on the transmitter.



2. Turn on the power switch on the car, and the front light on the car flashes.



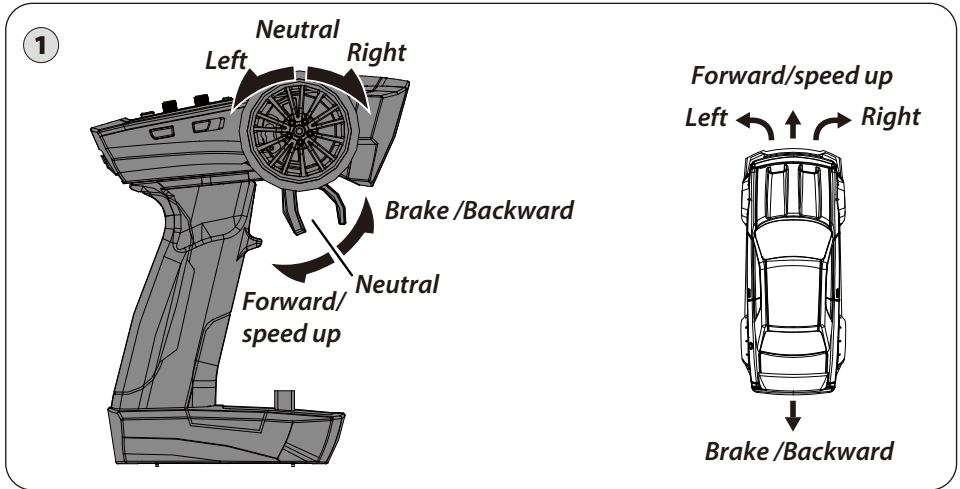
3. Insert the binding plug into the BIND channel slot on the car, if the LED stops flashing, and stays lit permanently, the binding procedure is completed.

Tip: If fail binding , please turn off the power switch of the car and remote , and restart the binding.

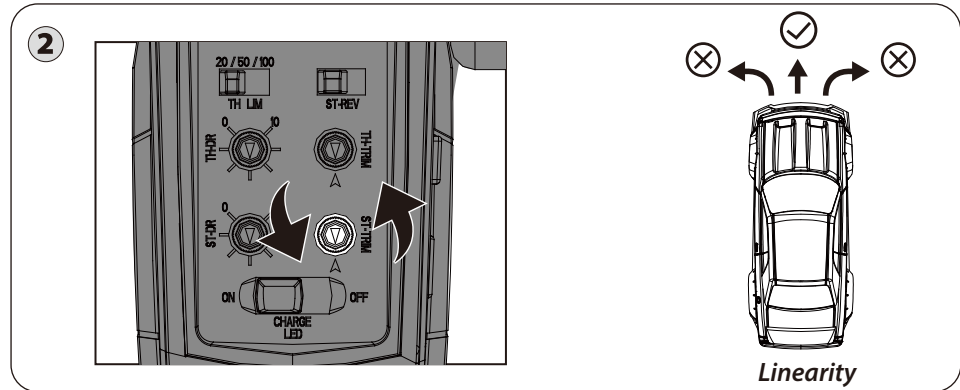
Note: The wireless rc car has been connected to the remote. The above procedure is only necessary when use a new remote or car.

Turn off the car: Please turn off the power switch of the car first, and then turn off the power switch of the remote to prevent the car from losing control.

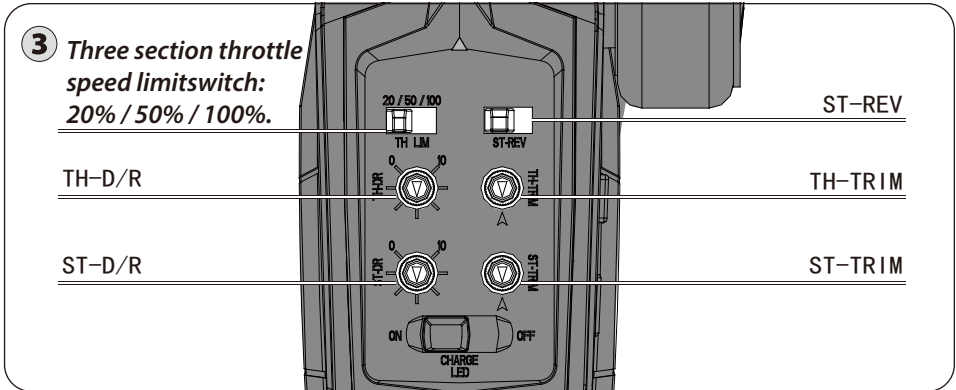
4 Car running settings



- **Throttle trigger:** Control forward / brake /backward.
- **Steering wheel:** Control left / right steering.



- **ST/TRIM:** When the steering wheel in the middle position, if the front wheel is not in a straight line, please adjust it with ST/TRIM "+" or "-" button.



- Three section throttle speed limit switch: 20% / 50% / 100%.
- **REV**
Steering REV: It is used to reverse the left and right directions of the car.
- **TH/DR**
Throttle DR is used to adjust the throttle and car speed freely. (This function can only work when throttle speed limit switch is in 100% position)
- **TH-TRIM**
When the throttle trigger is in the middle point, if the car is moving forward or backward, please adjust it with TH/TRIM "+" or "-" button.
- **ST/DR:**
Steering DR is used to adjust the front wheel steering angle to make the car reach the best turning radius.
Note: Excessive steering angle may cause the front wheel and body parts to affect each other when running, please adjust the steering angle reasonably.
- **ST/TRIM:**
When the steering wheel in the middle position, if the front wheel is not in a straight line, please adjust it with ST/TRIM "+" or "-" button.

SPECIFICATION

Product name	1:76 RC sports car	Model	C75
Driving distance	30m	Scale	1:76
Slope angel	30°	Driving time	30min
Drive mode	Two-wheel drive	Size	67.5x28.8x19.5mm
Proportional steering	Proportional steering	Battery	3.7V、75mAh lithium battery
Weight	17.5g		

LED LIGHT STATUS TABLE

Display	Status
The headlights flash every 2 seconds	Please check whether the power of remote control has been turned on, if yes, you need to re-code the remote control with the car
The front and rear lights of the vehicle are on long ligh	The remote control is connected to the car and can be operated
The red light of tail lamp is bright	Braking status
The front and tail lights are off	The rc car is power off, the power is insufficient, channel 4 and first-stage switche are in the off state

PRODUCT PERFORMANCE FAILURE TABLE

Product Name	Product performance failure
1:76 RC sports car	<ol style="list-style-type: none"> 1. The product cannot be turned on. 2. Cannot charge. 3. Unable to operate. 4. Dysfunction.

MAINTENANCE

1. Before using the product, please ensure that all components have been tightened, check and clear foreign matter in the gap between the wheel and chassis.
2. When the car is to be stored for a long time, it should be kept at 70% of its power to maximize battery life. And charge the battery once every 1-3 months to avoid battery damage. (It is recommended to fully charge the battery and store it after 5-10 minutes of use).
- 3.If the remote control will not be used for a long time, please remove the batteries to avoid oxidation.

TROUBLESHOOTING

Fault symptom	Cause of failure	Solutions
The transmitter connection failed	<ol style="list-style-type: none"> 1. Distance is too far 2. Multicars pairing at the same time 	Make sure that the product is in car receiving mode.(The headlights flash).
Freeze	Foreign object between the wheels	Check the wheels for foreign objects
No reaction when remote control left and right steering / no response when steering	The steering angle is set too small	Reset the steering angle
The steering is in the opposite direction of the remote steering operation	The remote steering reverse switch is not properly set	Set the remote steering reverse switch to the correct direction
When the throttle is in neutral position, the car immediately starts to move forward or backward	The throttle fine-tuning does not set to the center position	Set the remote throttle fine-tuning to the center position
The car cannot move in a straight line/The left and right steering radius is significantly different	Steering fine-tuning is not set to the center position	Set the steering fine-tuning to the center position
The maximum speed cannot be reached	<ol style="list-style-type: none"> 1. The throttle DR setting is too small 2. Battery Low 3. Foreign objects between the wheels 	Set the throttle DR size on the remote throttle DR, and check for foreign objects and battery level
Overheating in the motor part	Ambient temperature is too high	The car should be immediately turned off and placed in a cool, well-ventilated place for cooling to avoid damage to electronic parts
The power-on light is not on	The voltage is less than 3.0V and there is not enough power	Charge in a timely manner
Shutdown		

PRECAUTION

- The car contains lithium batteries. Disassembling, striking, squeezing or throwing the car into the fire is prohibited. If severe swelling occurs, do not continue to use it. Do not place it in high-temperature environment.
- Due to the special feature of lithium batteries, overly high or low temperature will affect the battery charge and discharge performance and battery life, so please do not use or store this product under environments such as high temperature, low temperature, high humidity or direct sunlight.
- The charging cable, plug, body shell, and other parts must be checked regularly for damage. If the damage is found, stop using until the repair is complete.
- The car has low battery voltage protection.
- When the battery voltage is lower than 3.0V, it will automatically cut off the current and the car will seize all functions to protect the battery.
- When using remote control nearby high-voltage power lines, light rails, microwave ovens electric waves of the same frequency will lead to dysfunction of the car. Please change the location or choose another time to operate.
- Our company holds no responsibility if accidents such as injury to others or damage due to operating errors.

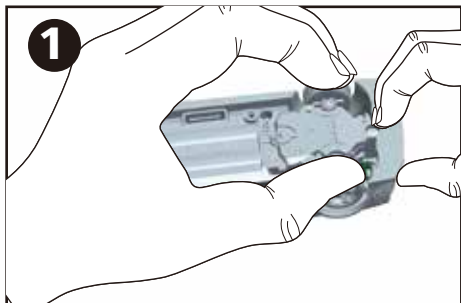
NON-WARRANTY REGULATIONS

- Unauthorized repair, misuse, collision, negligence, abuse, fluid intake, accidents, alterations, incorrect use. Non-product accessories, or tear, alter marks and anti-counterfeiting marks;
- The validity period of "three guarantees" has passed.
- Damage caused by force majeure;
- Does not meet the performance failures listed in "performance failure table of 1:76 RC sports car";
- Performance failure of the product and its accessories that meets the "performance failure table of 1:76 RC sports car" due to human factors.

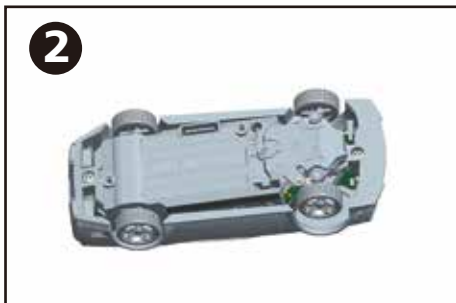
1. Return and exchange services require confirmation.

When the client applies for return and exchange, it is necessary to follow the 1:76 RC sports car warranty instructions and the customer service should confirm whether it meets the after-sales conditions and then arrange relevant service.

Notice: The products, accessories, remote control, etc. in the instruction manual are schematic diagrams and for reference only. Due to product updates and upgrades the physical and schematics of the product may differ slightly, please refer to the actual product.

DISASSEMBLING**1. Disassemble The car body shell:**

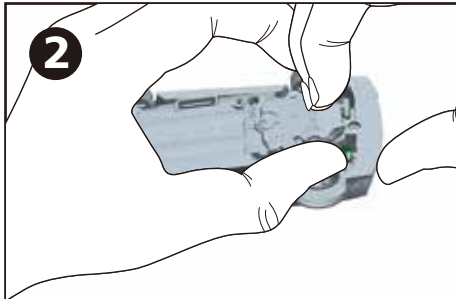
1. Hold the front wheel with one hand , and other hand hold the head of the car



2. Then gently push out and take it out

2. Install the car body shell:

1. An exhaust fixture inserted into the tail of the car chassis



2. Then press and hold the head of the car chassis to install it

INSTALLATION OF SHELL PARTS GROUP

760184
Material bodyshell *1



760185
car window *1



760186
Front light *1



760190
Tail light parts *1



760192
Exhaust pipe *1



760188
Front light holder *1



760189
Low tail wing *1



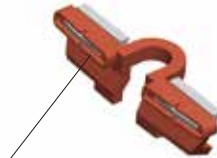
760209
Screw *2



760191
Tail light strip *2

CAR SHELL ASSEMBLY**1**

Installing car windows

2

Installing tail light strip

3



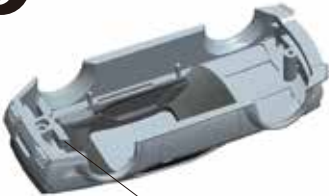
Install the tail wing
(note the direction of installation)

4



Install the taillight

5



Install exhaust pipe

6



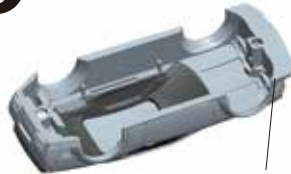
Install the screws for exhaust pipe

7



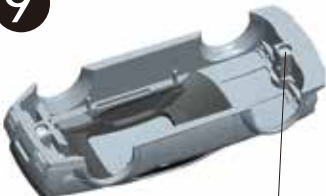
Installing front lights

8



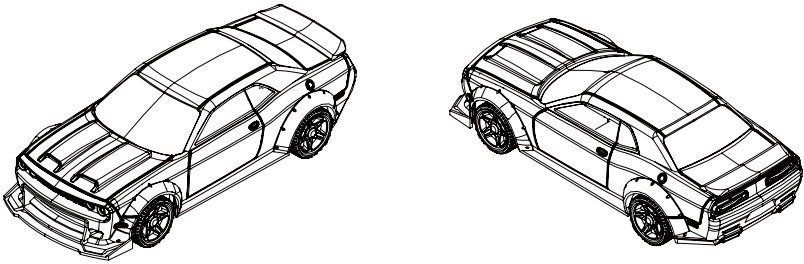
Install the front light holder

9

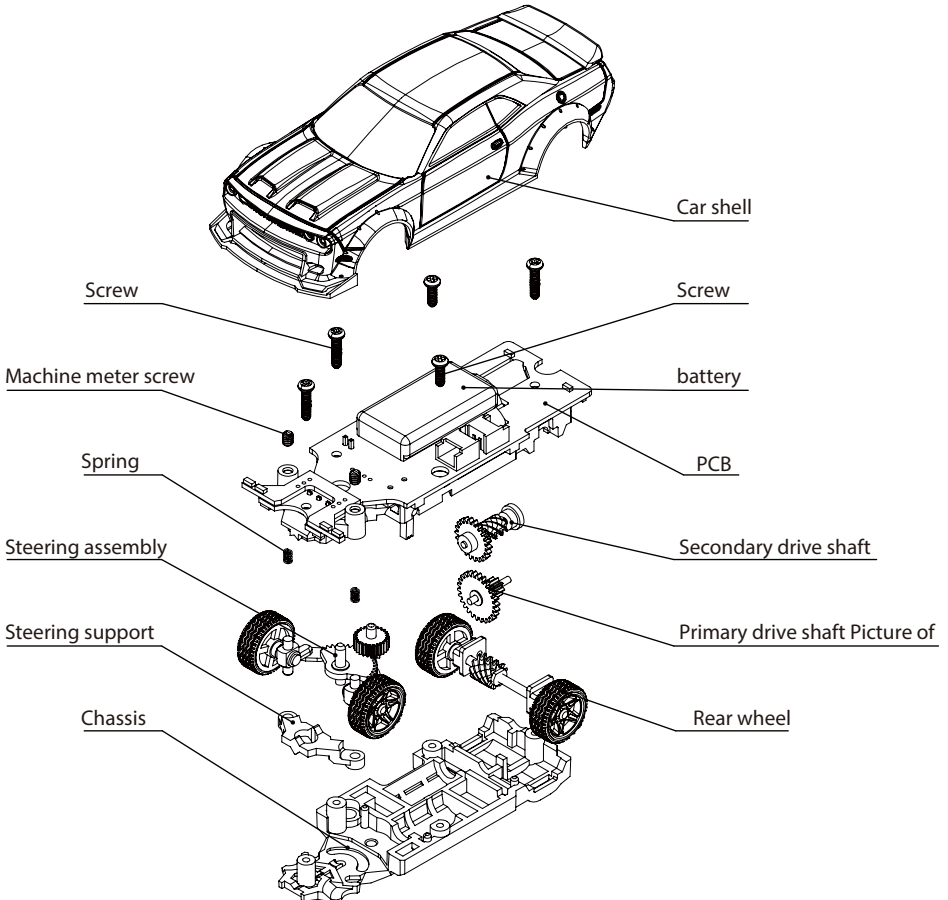


Install the screws for
front light holder Attach

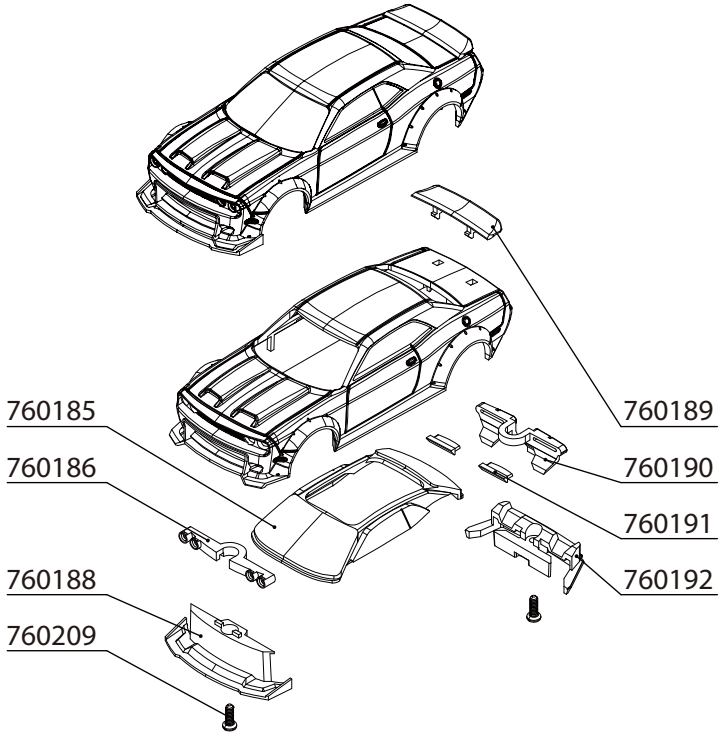
GENERAL ASSEMBLY DRAWING



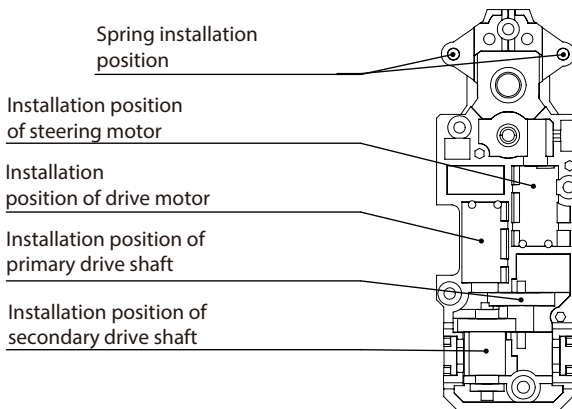
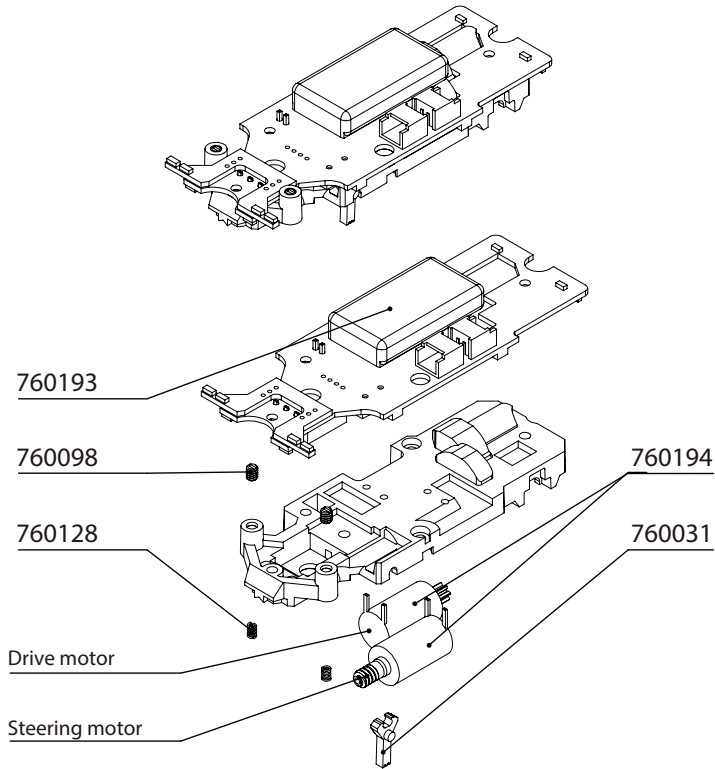
EXPLODED VIEW OF FINAL ASSEMBLY



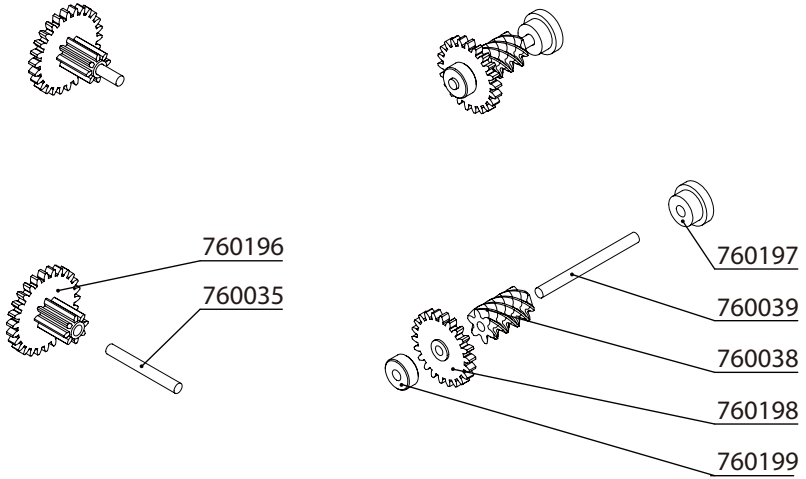
CAR SHELL EXPLOSION



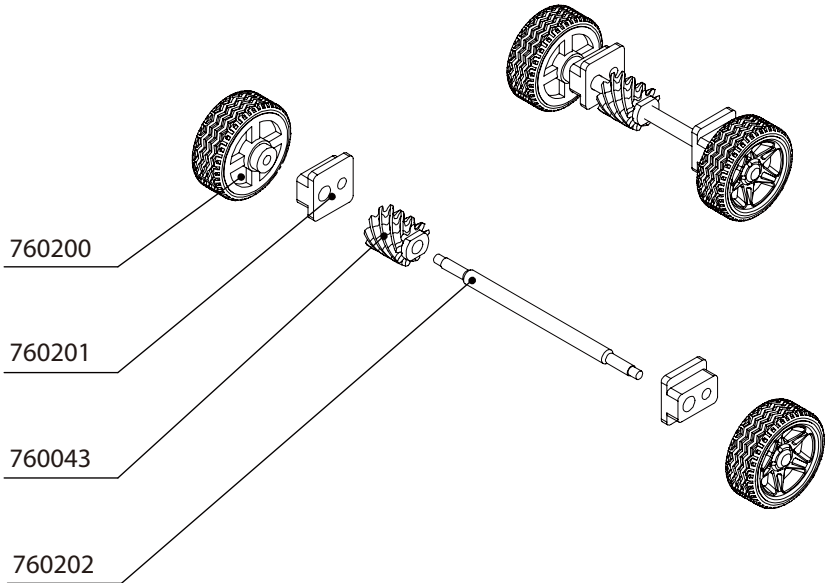
UPPER SHELL



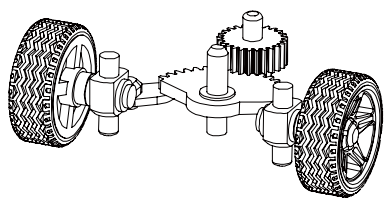
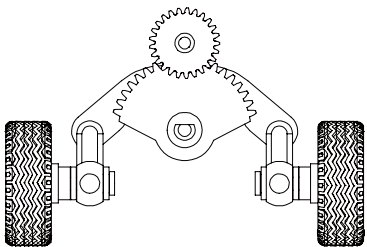
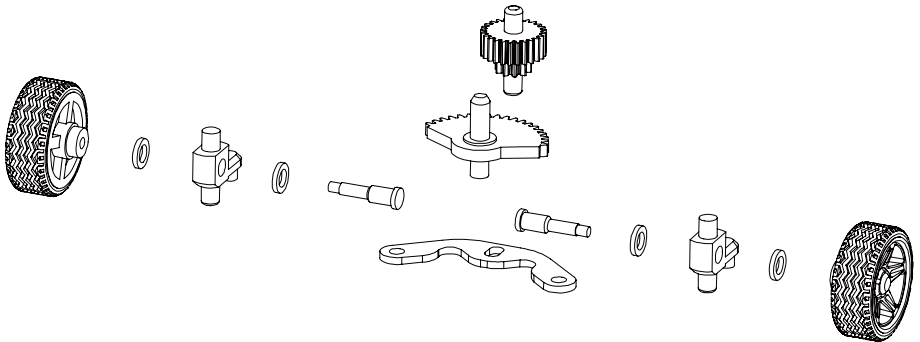
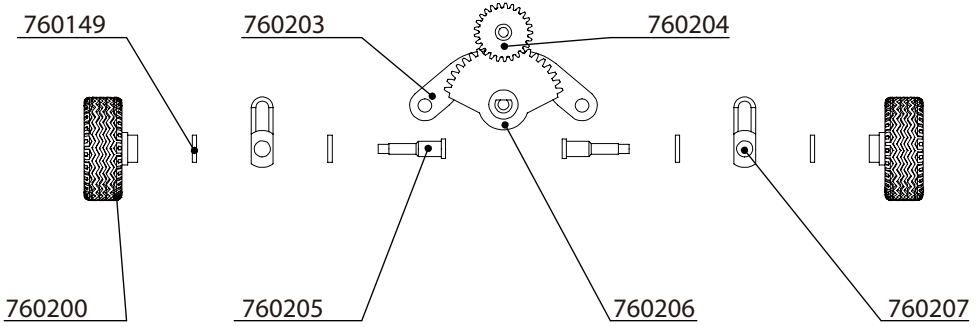
TRANSMISSION SHAFT



REAR WHEEL

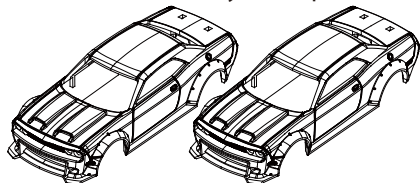


STEERING ASSEMBLY

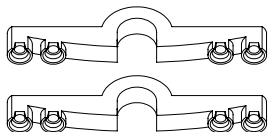


ORIGINAL SPARE PART

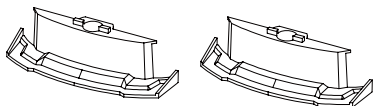
760184
Material bodyshell 2pcs



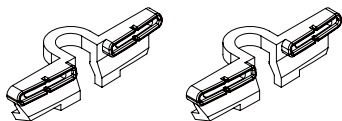
760186
Front light 2pcs



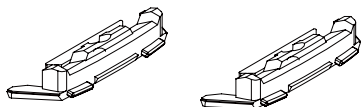
760188
Front light holder 2pcs



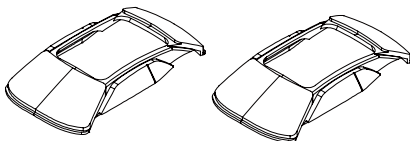
760190
Taillights lights 2pcs



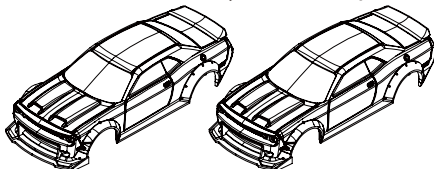
760192
Exhaust pipe 2pcs



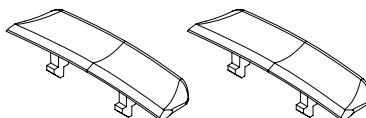
760185
car window 2pcs



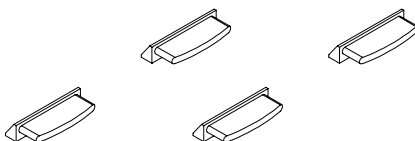
760187
Material bodyshell suit 2pcs



760189
Low tail wing 2pcs



760191
Tail light strip 4pcs



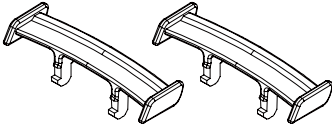
760209
Short screw 6pcs



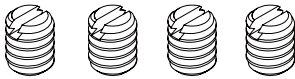
760210
long screw 8pcs



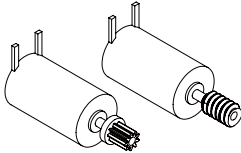
760208
High tail wing 2pcs



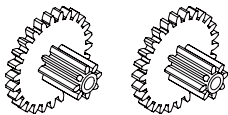
760098
Millimeter screw 4pcs



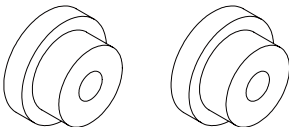
760194
Motor 2pcs



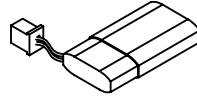
760196
Gear (1st stage drive shaft) 2pcs



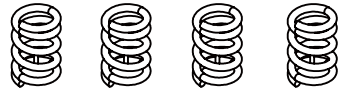
760197
Axle sleeve(Secondary drive shaft)2pcs



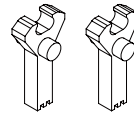
760193
Battery 1pcs



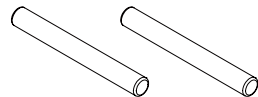
760128
Spring 4pcs



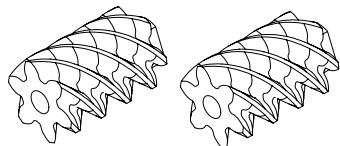
760031
Switch handle 2pcs



760035
Axis(Primary drive shaft)2pcs

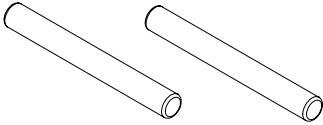


760038
Gear(Secondary drive shaft)2pcs



760039

Axis(Secondary drive shaft)2pcs



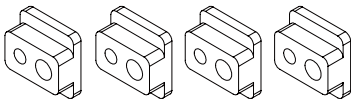
760199

Axle sleeve(Secondary drive shaft)4pcs



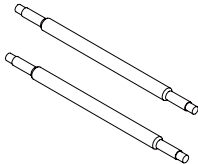
760201

Axle sleeve(Rear wheel)4pcs



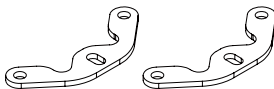
760202

Axis(Rear wheel) 2pcs



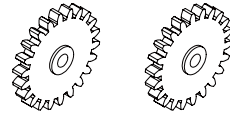
760203

Rocker arm 2pcs



760198

Gear(Secondary drive shaft)2pcs



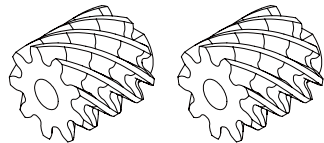
760200

Wheel 4pcs



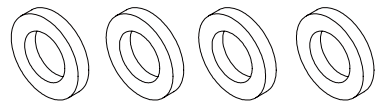
760043

Gear(Rear wheel)2pcs



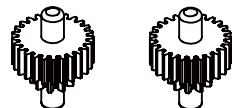
760149

Shim 8pcs

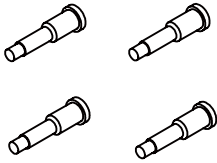


760204

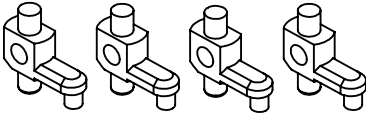
Gear 2pcs



760205
前轮固定轴 4pcs



760207
转向部件 4pcs



760074 Grey
Guardrail Total 50pcs

(Straight 45pcs) (Curved 5pcs)



760076 Red
Guardrail Total 50pcs

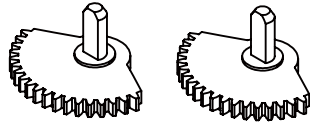
(Straight 45pcs) (Curved 5pcs)



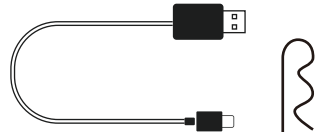
760101
Track(950x500mm)



760206
Fan teeth 2pcs



760021
充电线+对码针



760075 White
Guardrail Total 50pcs

(Straight 45pcs) (Curved 5pcs)



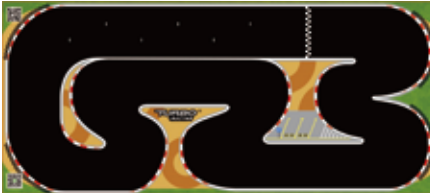
760050
Track(1200x800mm)



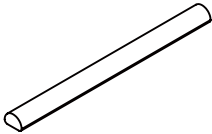
760102
Track(1600x900mm)



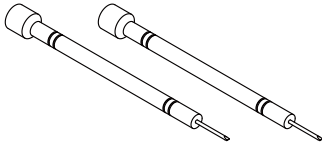
760178
Track(1800x800mm)



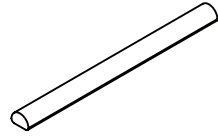
760139
PU guardrail(10m)



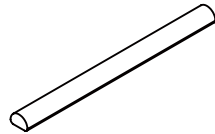
760100
Bolt driver 2pcs



760141
PU guardrail(5m)



760140
PU guardrail(13m)



760019
Transparent Box



CHOOSE A VARIETY OF STYLES

1 RC car



C10
Fluorescent green



C10
Fluorescent red



C10
Cement gray



C10
Dark green



C10
Mint green



C10
Orange



C10
Purple



C10
Light yellow



C10
Light blue



C10
Blue

2 RC Sports car



C71-RD
Red



C71-YE
Yellow



C71-WH
White



C72
Violet



C73
Cement grey



C74-BK
Black



C75 (Hell Black)



C75 (Caramel red)

3 Off Road RC Car



C81-BK
Black



C81-YE
Yellow



C82

4 Drift RC Car



C61



C62



C63



C64-BU
Blue



C64-GN
Green



Shenzhen NewStone Technology Co., Ltd.

Manufacturer: Shenzhen NewStone Technology Co., Ltd.

Address: Yuhong Industrial Park, No.20 Xingye West Road, ShaJing Town, Bao'an District, Shenzhen, Guangdong Province

If this product can not operate normally during the warranty period, please contact the local distributor or manufacturer that sold this product to obtain warranty service. When the product is under warranty, please show the product warranty card and proof of whether it is within the warranty period.

1. If your product was sold by a distributor, please consult with the distributor or manufacturer to resolve it. (It is recommended to negotiate with the local distributor)
2. Manufacturers have the responsibility to "repair" or "replace" the product.
3. The warranty period of all products provided by the manufacturer is 15 days.
4. When the product is under warranty, manufacturers and distributors have the responsibility to "repair" or "replace" the product.