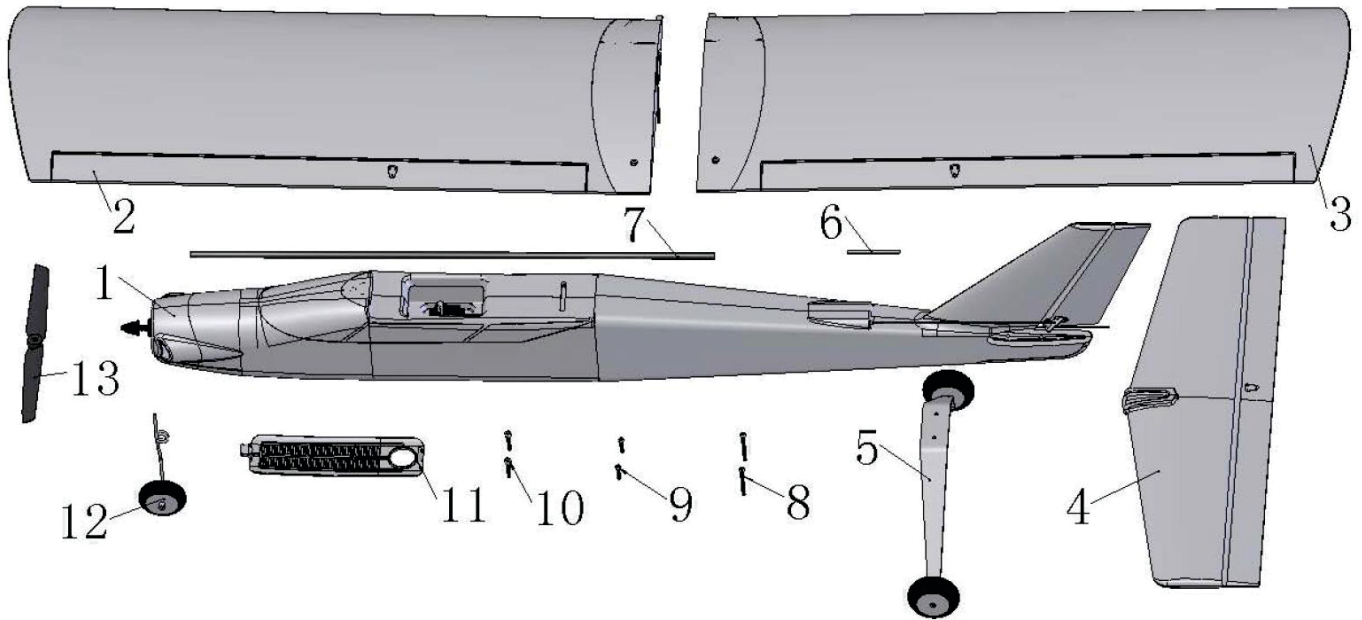


# Skynetic Starling 1230mm (48.4") Wingspan - PNP



- |                                    |                        |
|------------------------------------|------------------------|
| 1. Fuselage                        | 8. M3*40mm             |
| 2-3. Wing Halves                   | 9. M3*15mm             |
| 4. Horizontal Stabilizer /Elevator | 10. M4*20mm            |
| 5. Main Landing Gear               | 11. Canopy             |
| 6. Wing Tube1                      | 12. Front Landing Gear |
| 7. Wing Tube2                      | 13. Propeller          |

## Specifications

Motor: AS2216 – 880Kv Brushless Outrunner

ESC: Skynetic 30A with XT60 connector

Servos: 4 x 9g servos with 360mm leads

Battery: 3 Cell 11.1V 1500 -2200 mAh LiPo battery with XT60 connector (not included)

Propeller: Skynetic 2 blade 10x4.7

Wingspan: 48.4" (1230mm)

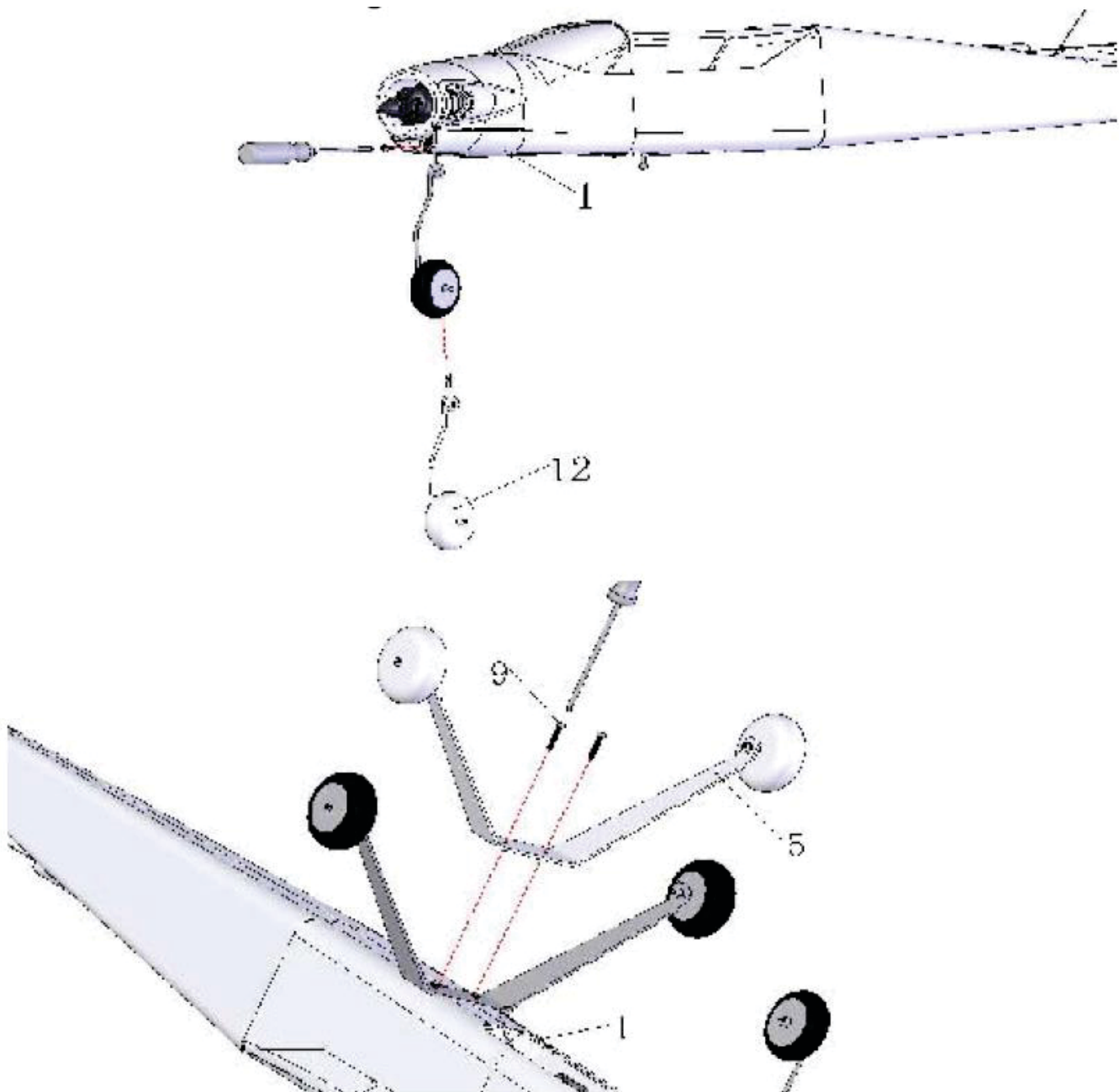
Length: 38.6" (980mm)

Weight: 2 - 2.2 pounds (920g – 1000g)

CG: 75-80mm from the leading edge of the wing

# Skynetic Starling 1230mm (48.4") Wingspan - PNP

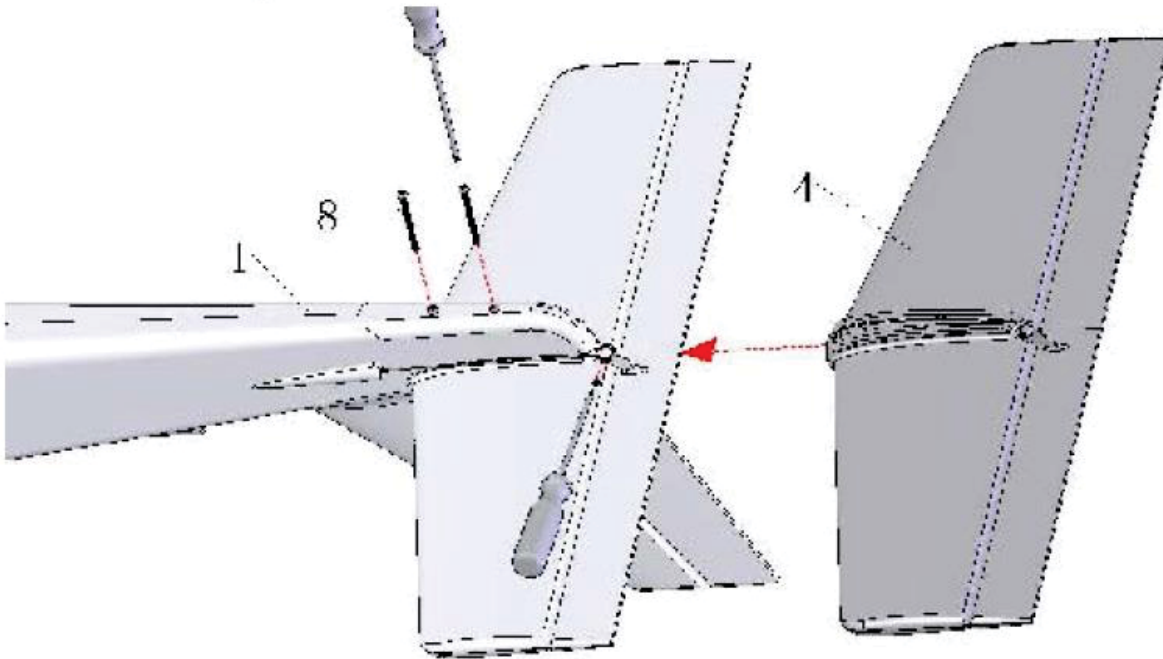
Step 1: Mount the Landing Gear – Mount the nose gear as shown below. Mount the main Gear with 2 M3 x 15mm screws.



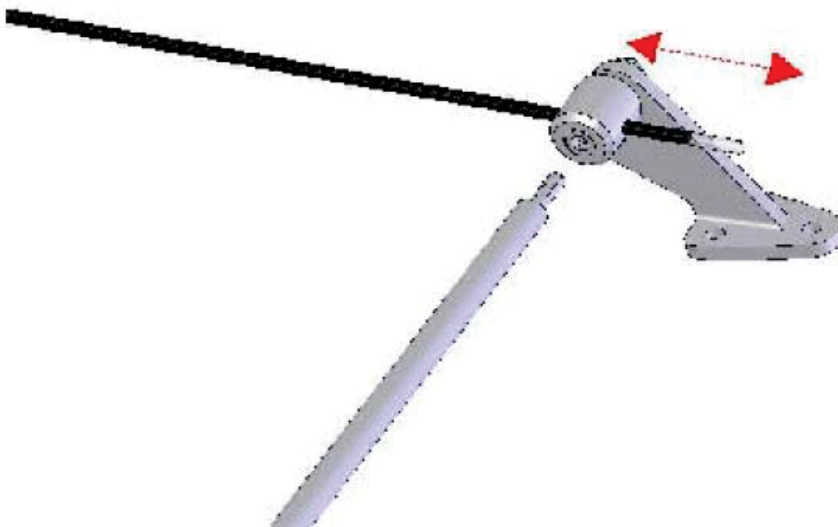
# Skynetic Starling 1230mm (48.4") Wingspan - PNP

Step 2: Install the Horizontal Stabilizer using 2 M3 x 40mm screws. Install the push rods for the elevator and rudder.

## Installing the Tail



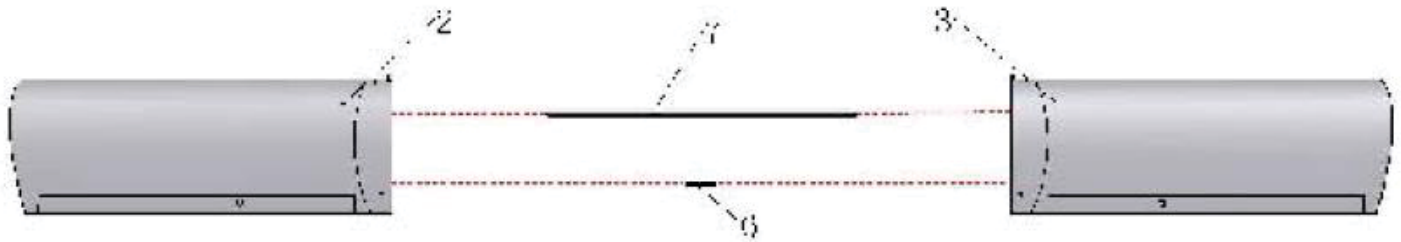
1. Insert Horizontal Stabilizer into the slot between fuselage and rudder, then screw 2 pcs screws by screwdriver to fix the stabilizer.



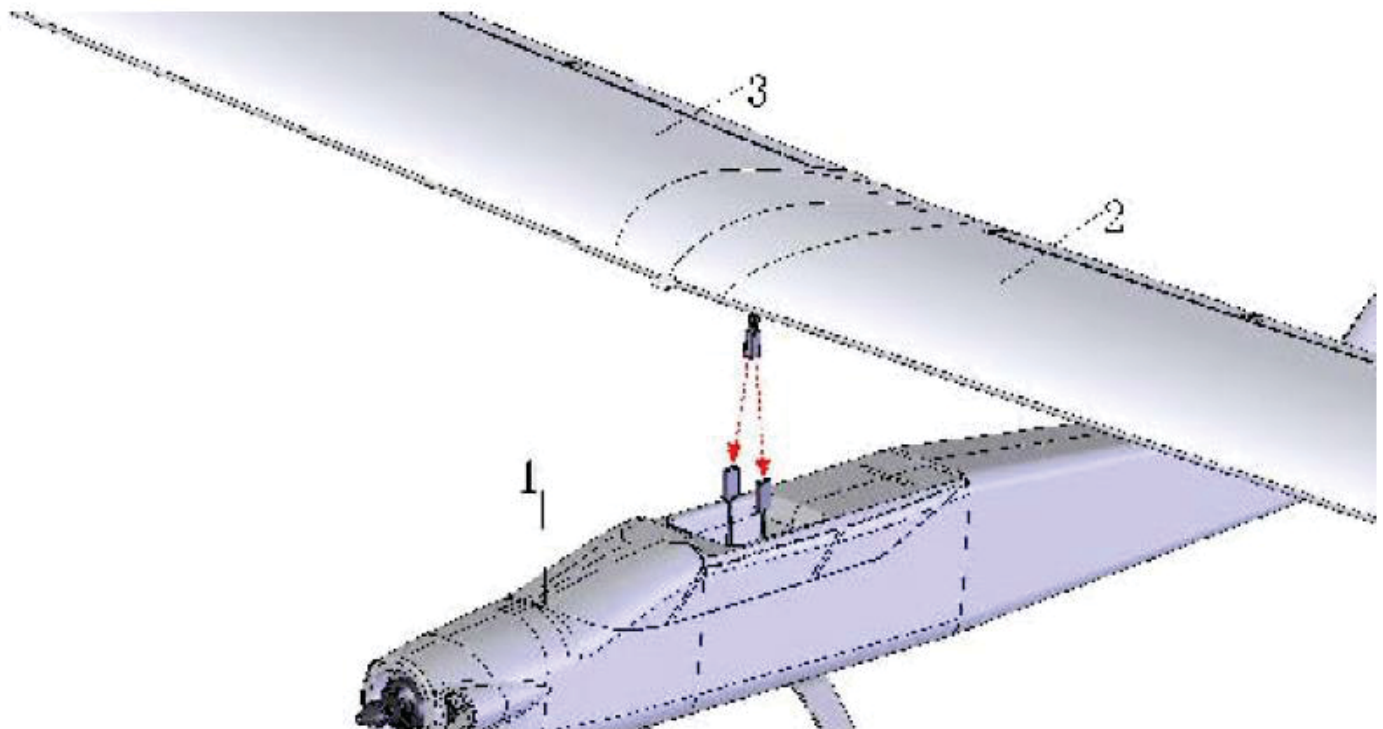
2. Install the linkage in a hole in the control horn using a link cover.

# Skynetic Starling 1230mm (48.4") Wingspan - PNP

Step 3: Install the wing using 2 M2 x 40mm screws



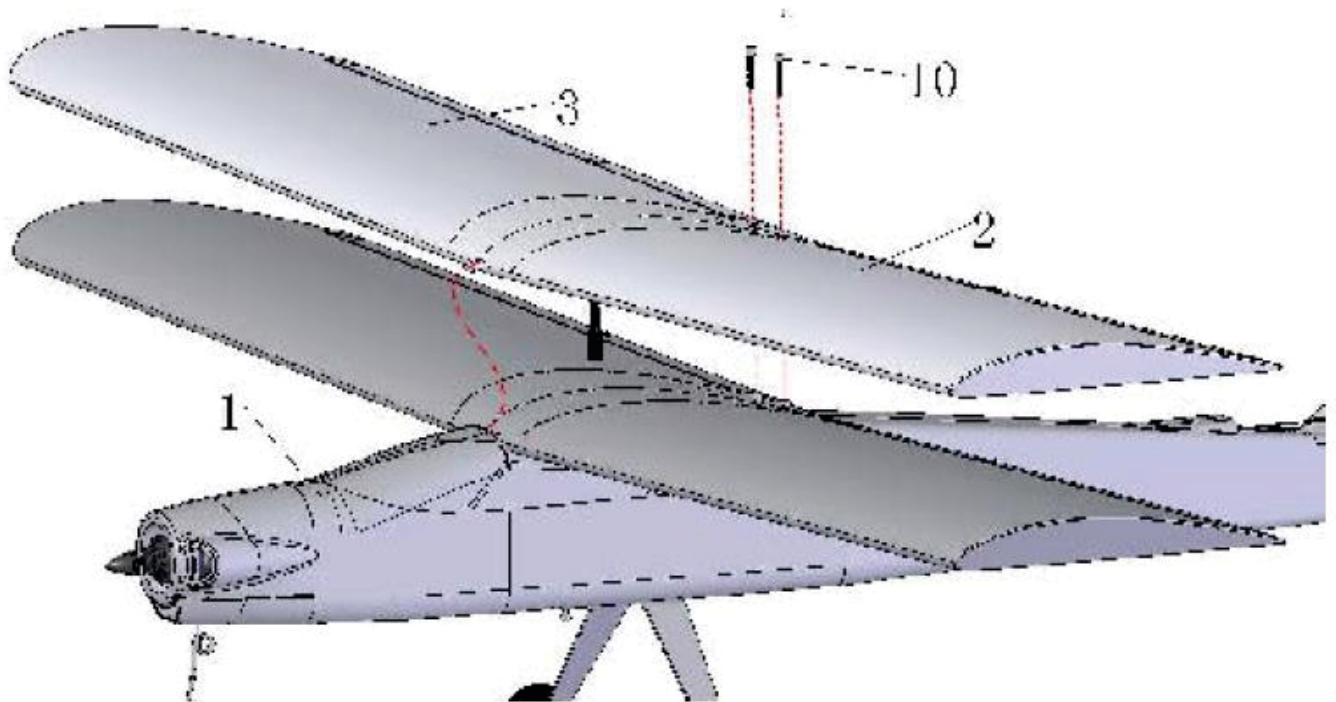
1. Insert wing tube 2 (7) into the hole in the left wing, then slide the right wing onto the tube. And wing tube 1 (6) was fixed on left/right wing in advance to avoid distortion on both wings.



# Skynetic Starling 1230mm (48.4") Wingspan - PNP

Installing the wing (continued):

2. Connect the aileron servo wires connectors from the wing to the Y-harness in the fuselage of the aircraft.



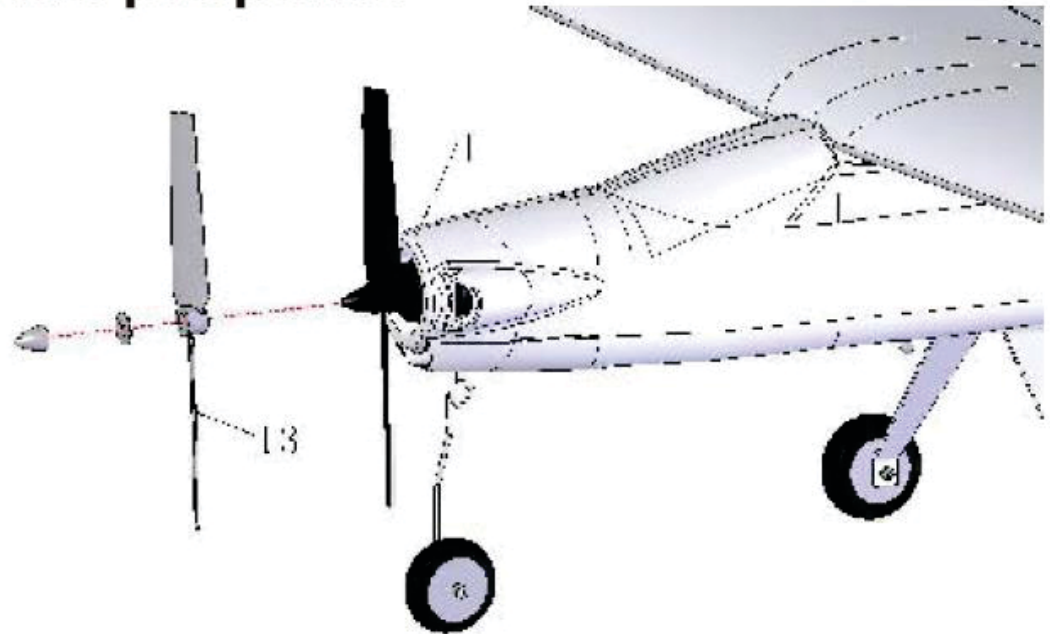
3. Insert the bolt in the front of wing into corresponding hole in fuselage, and align the screws holes on wing and fuselage, then use screwdriver to fix 2pcs M4\*20mm screws into the screw holes.

**CAUTION:** Before each flight, make sure the front and trailing edges of the wing are exactly centered on the fuselage.

# Skynetic Starling 1230mm (48.4") Wingspan - PNP

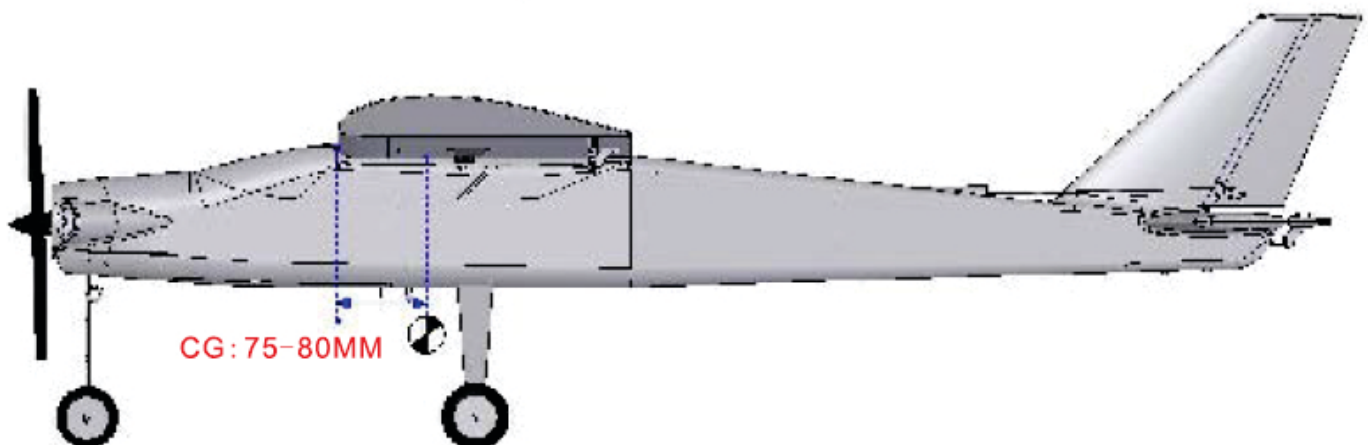
Step 4: Install the Propeller

## Installing the propeller



Step 5: Check the Center of Gravity (CG) with the flight battery installed.

## Centre of Gravity

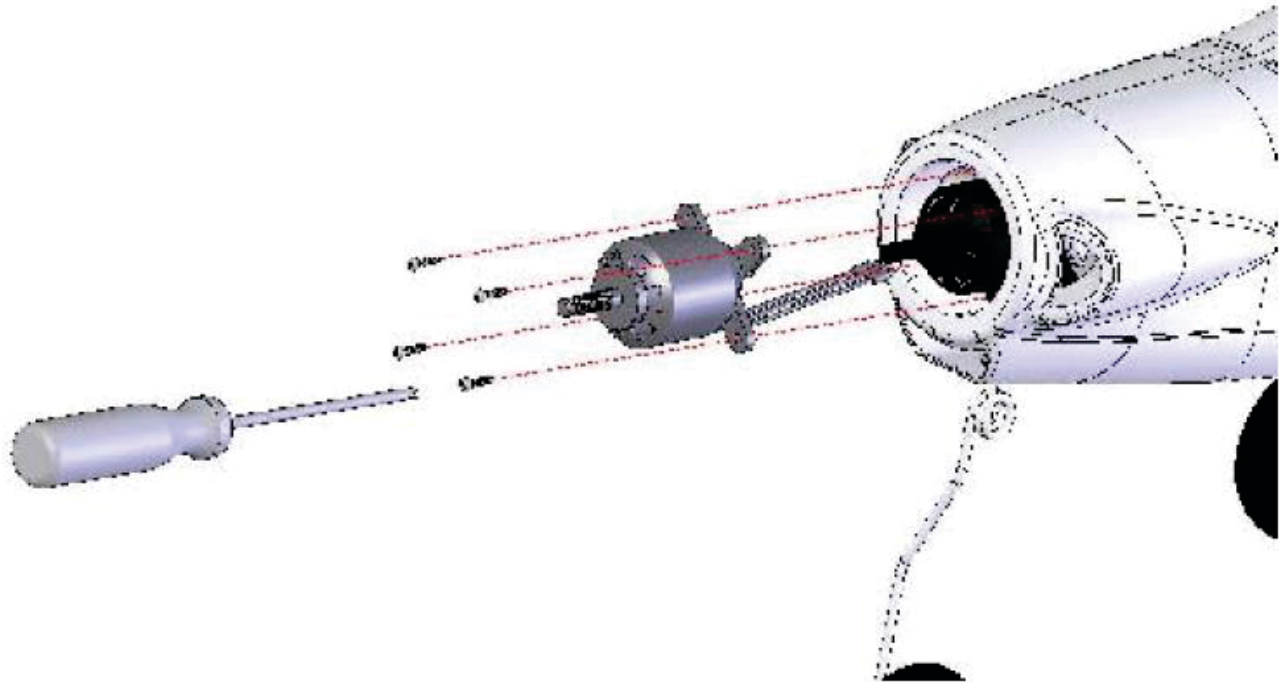


The centre of gravity (CG) should be at a position of 75-80mm away from leading edge, please refer to above picture.

# Skynetic Starling 1230mm (48.4") Wingspan - PNP

How to service installed components

## Motor Service

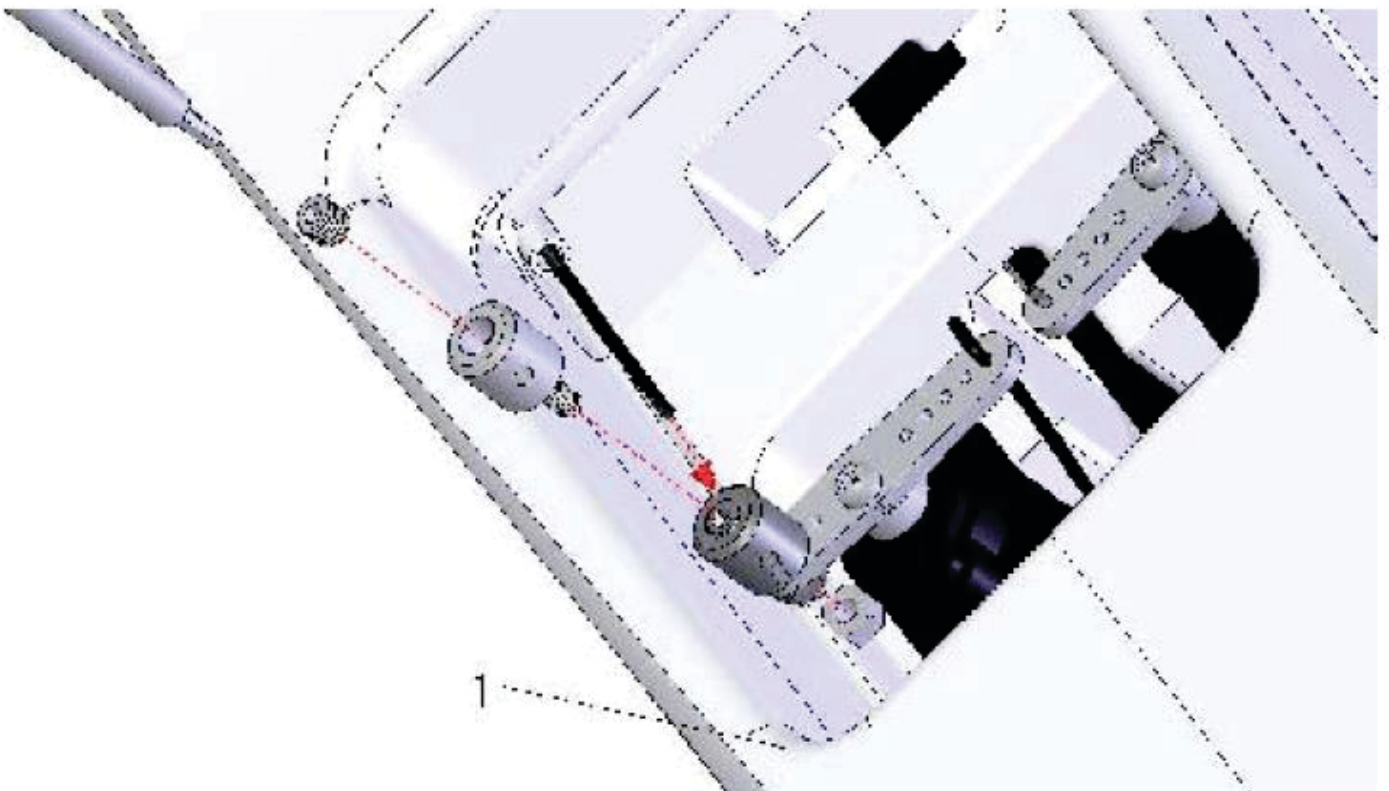
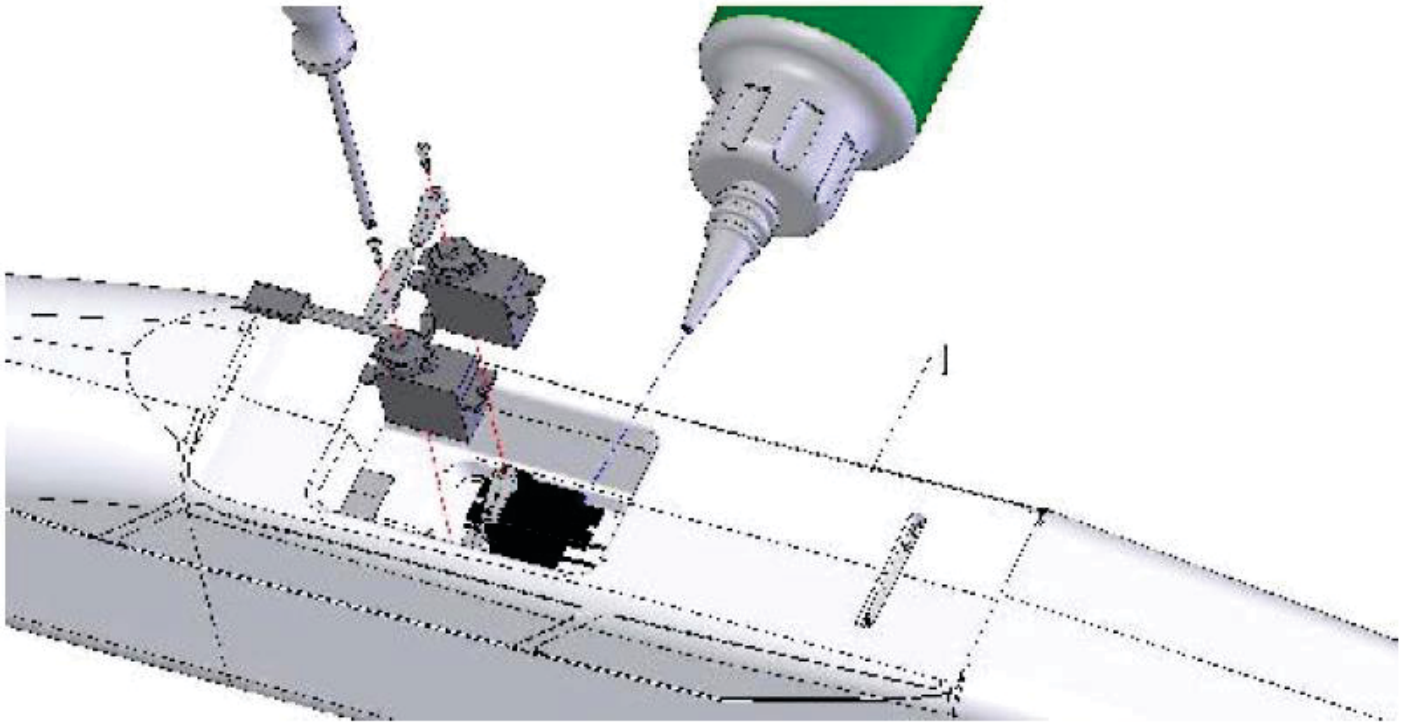


1. Thread motor wires through the holes under motor and into fuselage.
2. Install motor onto motor mount, and use screws to fix.

Servo Service:

# Skynetic Starling 1230mm (48.4") Wingspan - PNP

## Servo Service Tail Servo Service



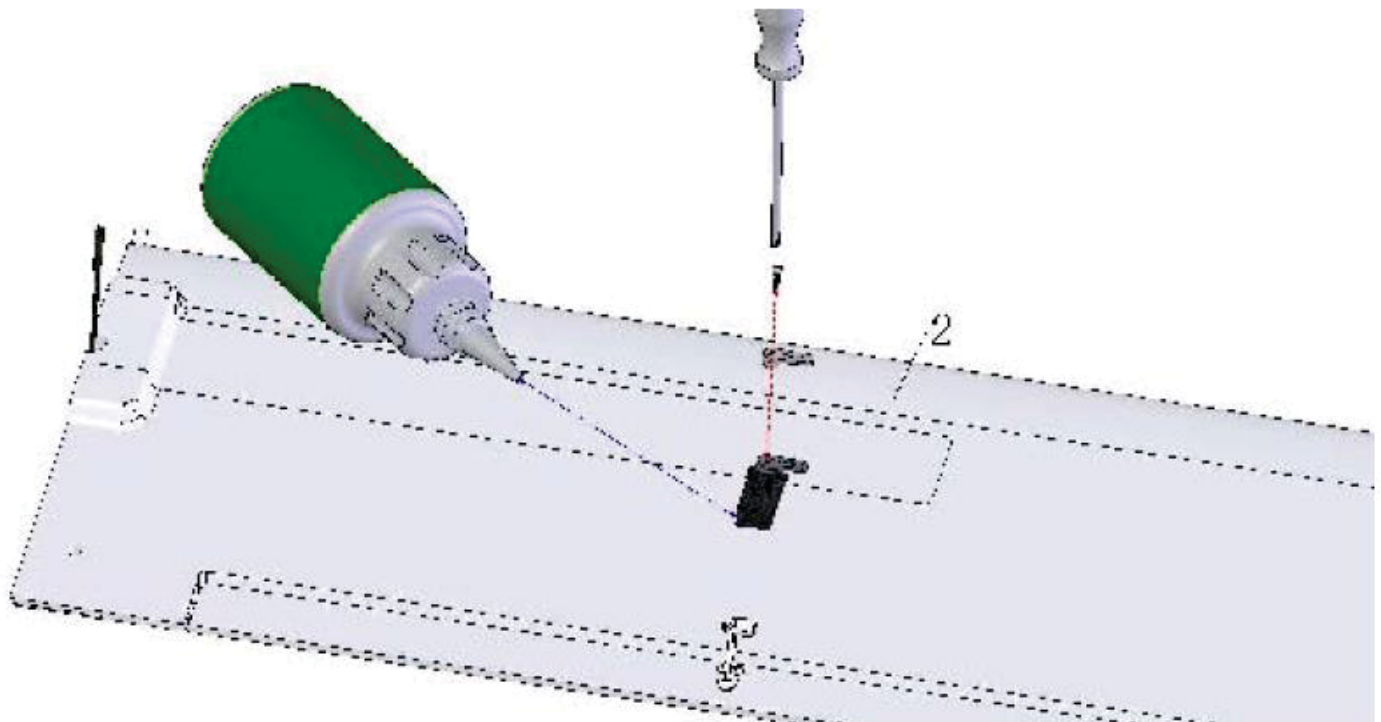
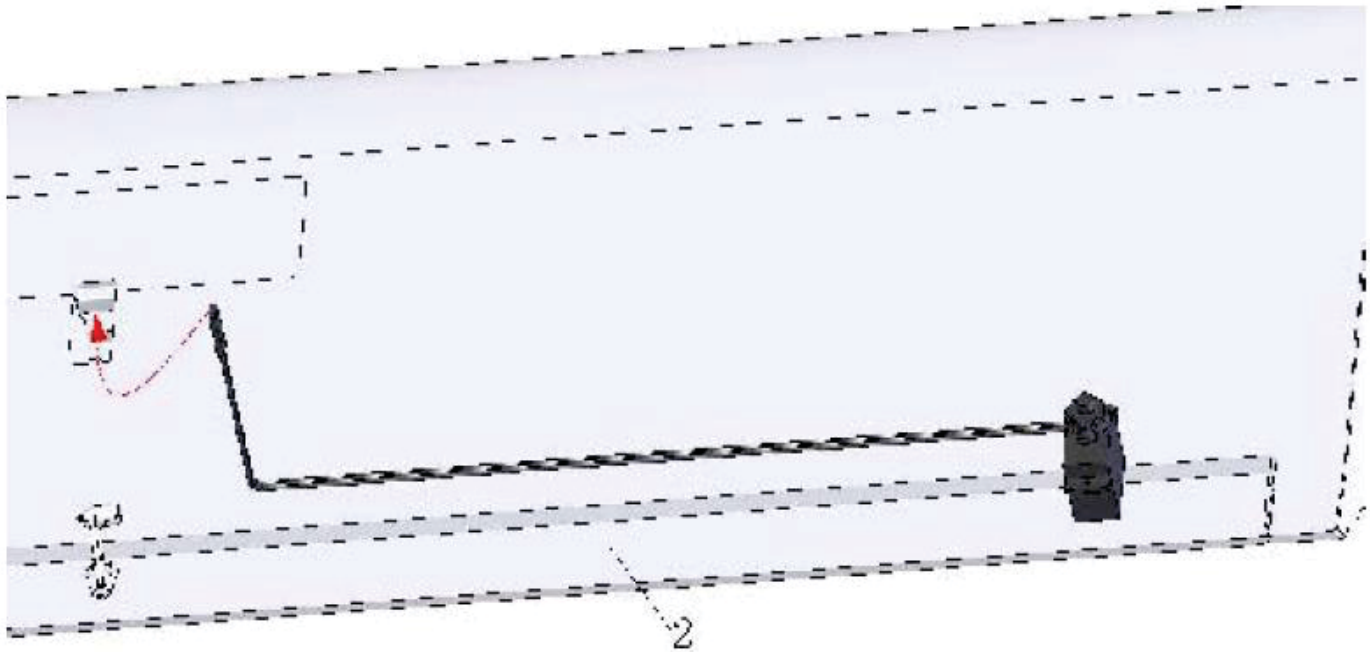


# Skynetic Starling 1230mm (48.4") Wingspan - PNP

Servo service, continued

## Wing Servo Service

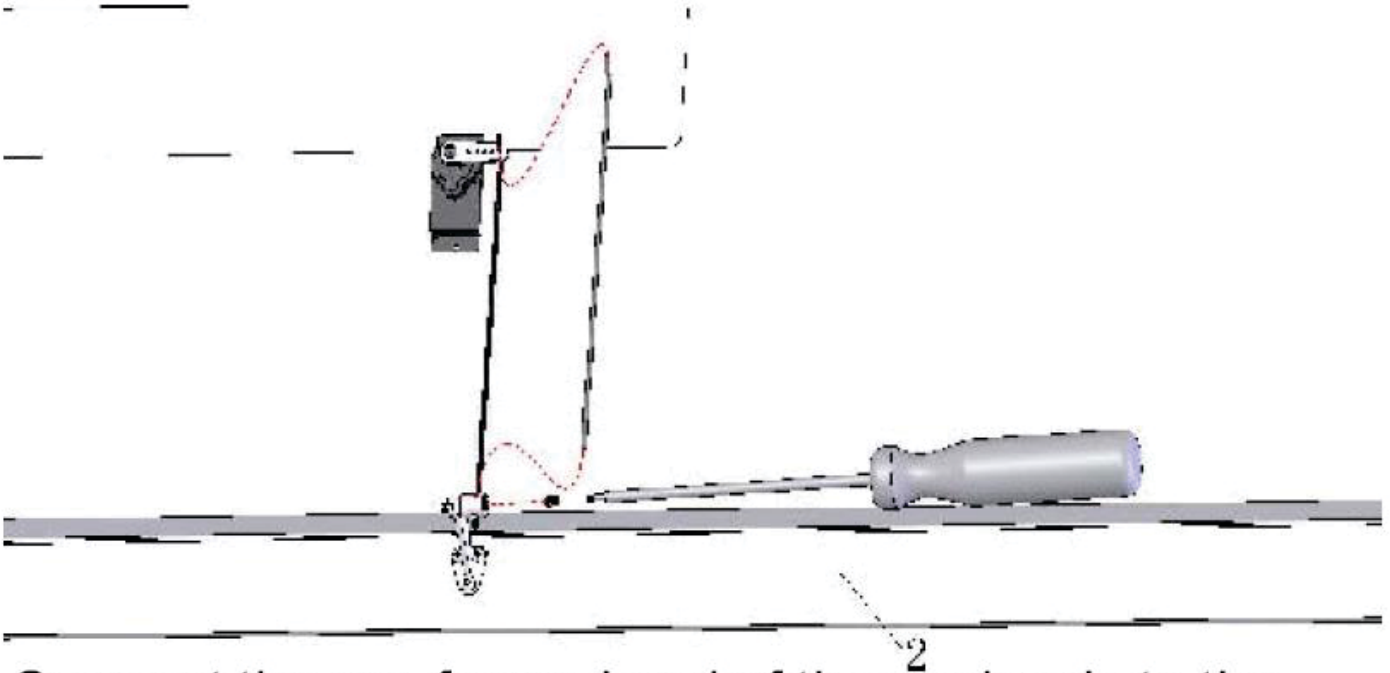
Install the control horns.



# Skynetic Starling 1230mm (48.4") Wingspan - PNP

Servo service, continued:

The servos are installed in the servo house in the wing panels.



Connect the pre-formed end of the pushrods to the servo output arms, and connect the plain end to the swivel connectors on the control horns as shown.

Spare Parts:

- 1) Fuselage SKY1028-101
- 2) Main Wing Set SKY1028-100
- 3) Horizontal Stabilizer SKY1028-102
- 4) Battery Hatch SKY1028-110
- 5) Cowl SKY1028-111
- 6) Nose Gear SKY1028-104
- 7) Main Gear SKY1028-103
- 8) Propeller SKY5000-018
- 9) Decal Sheet SKY1028-106
- 10) 30A ESC SKY6003-006
- 11) AS2216-880Kv motor SKY6000-013
- 12) Motor Mount SKY1028-108
- 13) Propeller Shaft SKY5014-004
- 14) Servo SKY6005-014
- 15) Screw Set SKY1028-109
- 16) Push Rod Set SKY1028-107

# Skynetic Starling 1230mm (48.4") Wingspan - PNP