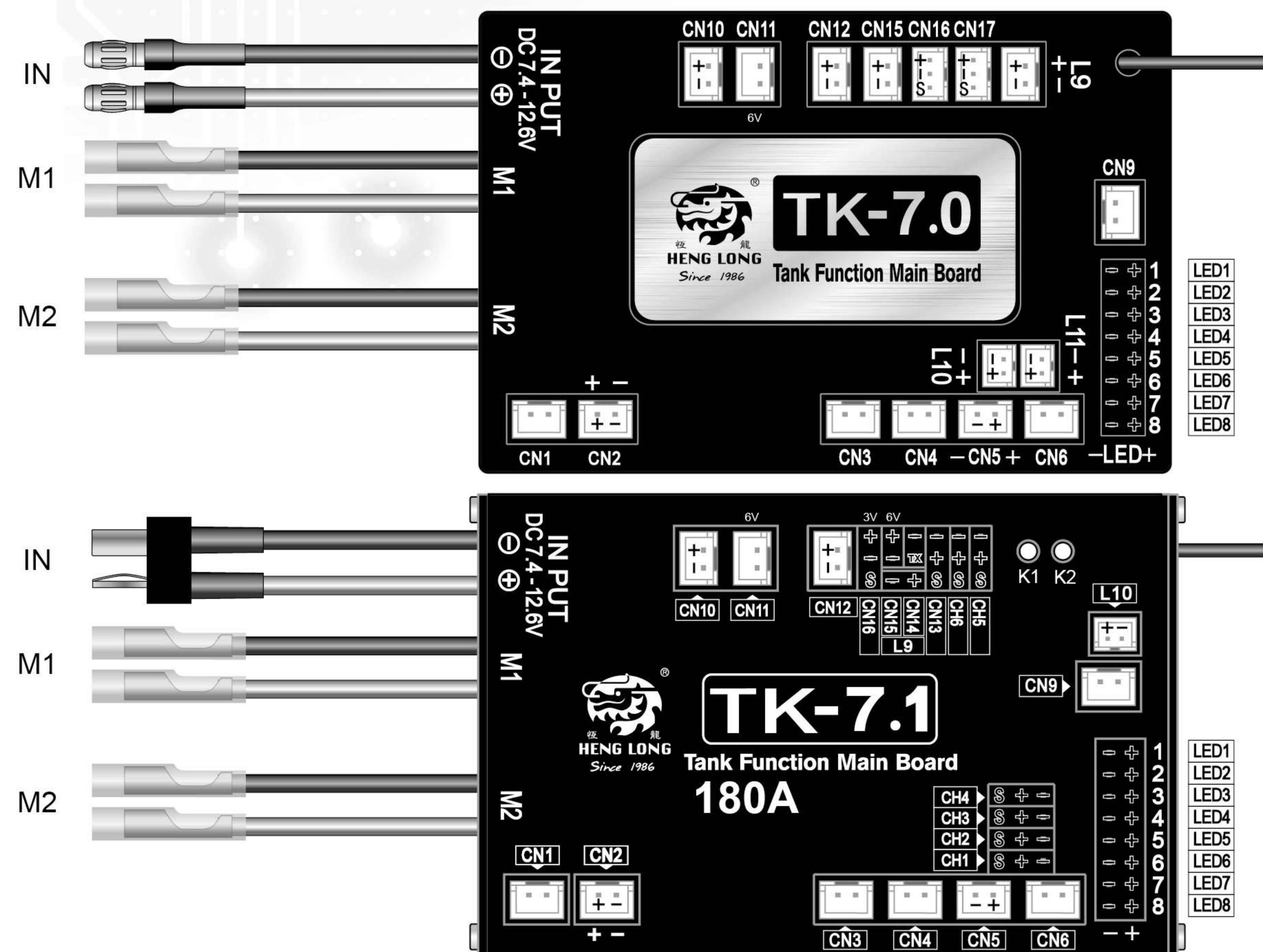


# 7.0/7.1 多功能主板功能操作说明书

## Multifunctional Mainboard Operation Instructions



### 电子板插口对照表 (Electric board socket comparison table)



- |  |  |
|--|--|
| <b>CN1</b> 电源开关(Power switch)                    | <b>CH3</b> 外接主动力电调1 (External main power electric regulator 1)<br>双流模式油门主马达 (Dual current driving main motor)  |
| <b>CN2</b> 散热风扇(Radiator fan)                    | <b>CH4</b> 外接主动力电调2 (External main power electric regulator 2)<br>双流模式转向主马达 (Dual current steering main motor) |
| <b>CN3</b> 炮台旋转(Turret turning)                  | <b>CH5</b> 车长周视镜舵机/360度舵机(Periscope servo / 360°servo)   |
| <b>CN4</b> 炮管俯仰(Cannon lifting)                  | <b>CH6</b> 警示灯模式调节/舵机信号(Waring flashing lights mode / servo signal)  |
| <b>CN5</b> WiFi图传(WiFi image transmission)       | <b>LED1</b> 开炮闪烁灯(Launch flashing light)   |
| <b>CN6</b> 触发开关(Trigger switch)                  | <b>LED2</b> 瞄准灯(Aiming light)  |
| <b>CN9</b> 声效喇叭(Loud speaker)                    | <b>LED3</b> 后灯(Taillights)   |
| <b>CN10</b> BB弹波箱(BB Launch system)              | <b>LED4</b> 前灯(Headlights)   |
| <b>CN11</b> 发热丝(Heating wires)                   | <b>LED5</b> 机枪灯(Machine gun flashing light)  |
| <b>CN12</b> 冒烟波箱马达(Smoke generator motor)        | <b>LED6</b> 刹车灯(Brake lights)  |
| <b>CN13</b> 光电系统开关(Light sensor system switch)   | <b>LED7</b> 左转灯(Left signal)   |
| <b>CN14</b> 功能扩展接口(Extension function interface) | <b>LED8</b> 右转灯(Right signal)  |
| <b>CN15</b> 红外线发射(Infrared emitter)              | <b>L9</b> 第二机枪灯 (2 <sup>nd</sup> Machine gun flashing light)   |
| <b>CN16</b> 红外线接收(Infrared receiver)             | <b>L10</b> 独立可控LED灯(Independent control multiple tank LED lights)  |
| <b>CN17</b> 生命灯(Life value lights)               | <b>L11</b> 红外线闪烁灯(Infrared flashing light)   |
| <b>CH1</b> 炮管伸缩舵机(Cannon recoil servo)           | <b>K1</b> 炮管伸缩/俯仰舵机反向切换(Cannon recoil servo reverse direction / Cannon lifting servo reverse direction switch) |
| <b>CH2</b> 炮管俯仰舵机(Cannon lifting servo)          | <b>K2</b> 炮管俯仰舵机角度设置 (Cannon lifting servo lifting angle setting)  |

1:16比例坦克遥控操作说明书 (7.0 / 7.1)

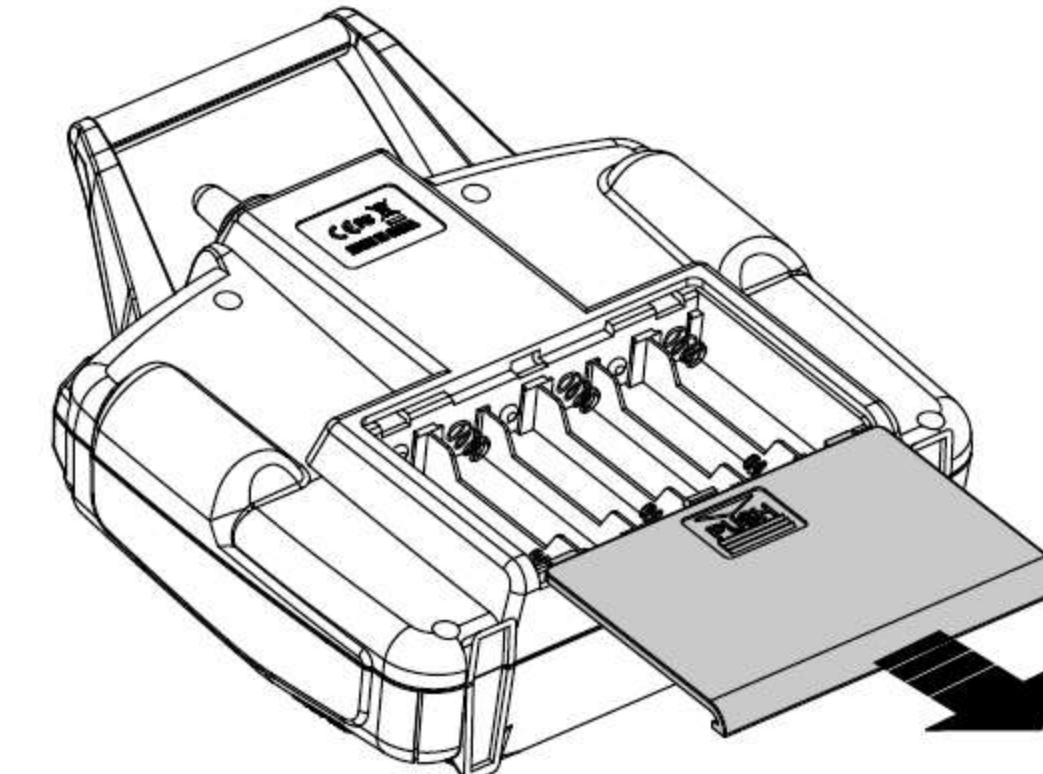
1:16 Scale tank remote control instruction manual (7.0 / 7.1)



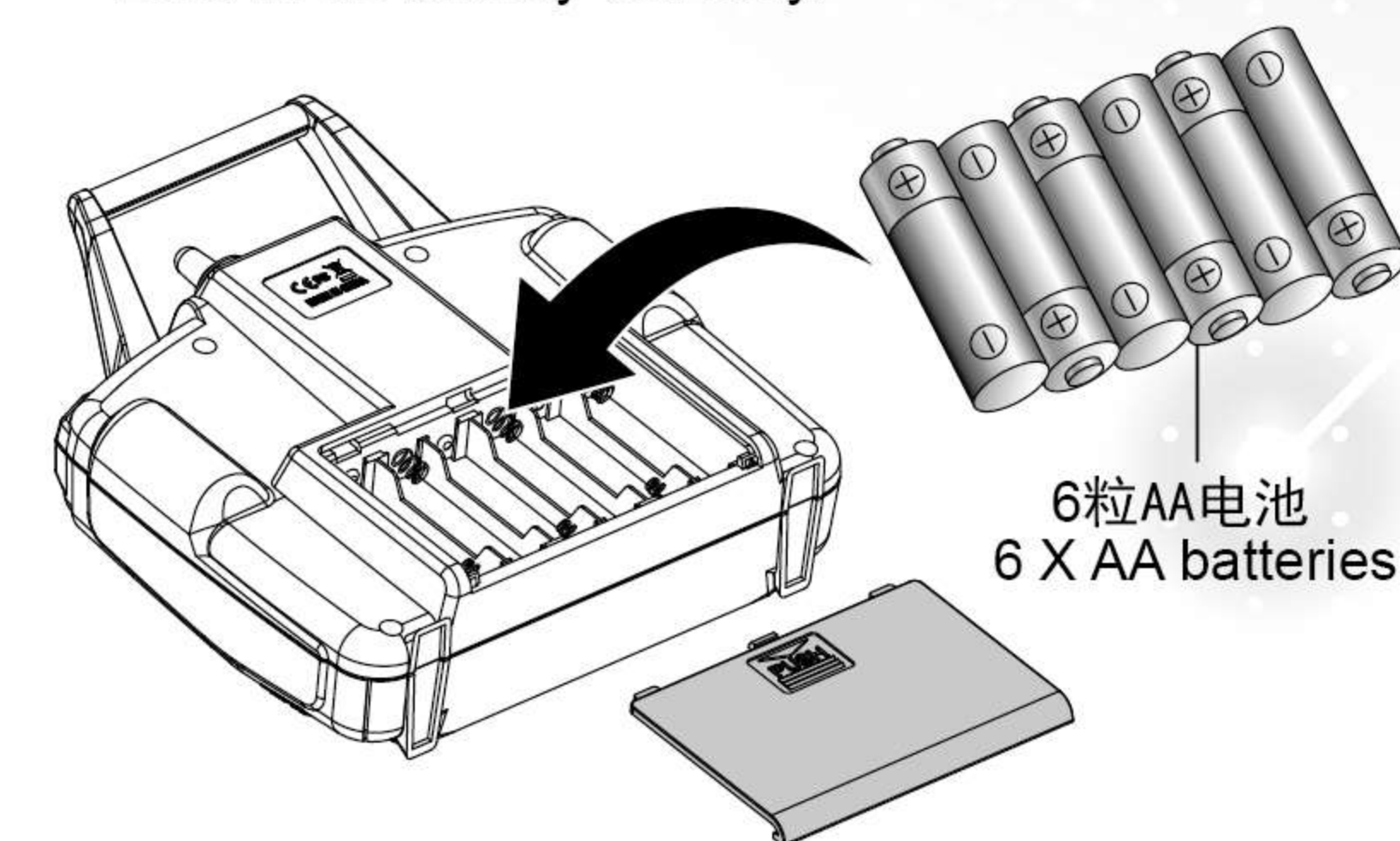
### 遥控器电池安装和操作说明 Batteries installing and operate instruction of the remote controller

#### 1 电池(遥控器) Battery (Transmitter)

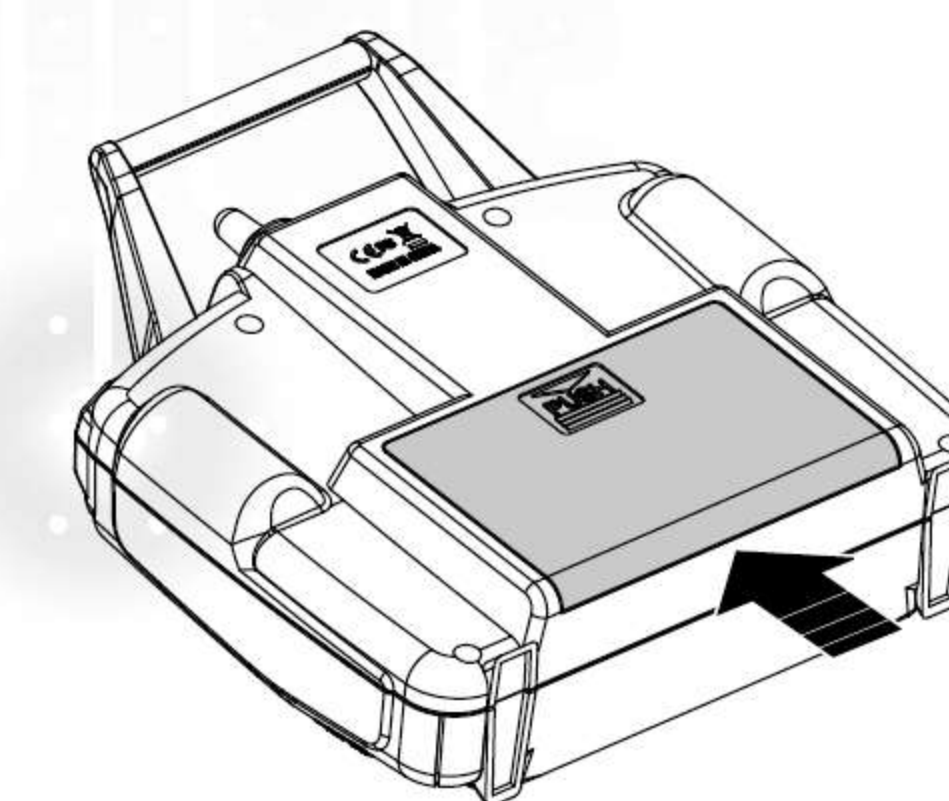
① 按下电池盖的PUSH, 把它拆下。(把开关拨在OFF)  
Press down the PUSH on the battery cover and remove it at the same ime. (Make sure the switch is on OFF position.)



② 正确装好电池。  
Load in the battery correctly.



③ 关上电池盖  
Replace the cover.



注意

Cautions:

打开车体开关时务必先把遥控器开关置于ON, 关掉开关时先将车体开关置于OFF, 若次序搞错会引起坦克突然冲出去。

When turning on power, the remote controller should be first turned ON. When turning off power, the tank should be first turned OFF. If the sequence is not followed, the tank may suddenly rush forward.

#### 2 遥控器功能说明 Transmitter instructions

遥控器各个部分的名称 Controller Parts Identification

指示灯 (ON则亮) (Light)

左信地旋转 Left spin

炮塔右转+炮管上升  
Turret right turn + Gun up

前进+左转 Forward + turn left

机枪扫荡仿真声音 / 发射BB弹(同时长按“B”键)  
Machine-gun simulated switch emulational music / Shoot BB bullet (Press and hold “B”)

发弹模式安全按钮/激光瞄准  
Shooting mode safety button/laser aiming

炮管上升 Gun up

前进 Forward

炮塔左转+炮管上升  
Turret left turn + Gun up

前进+右转 Forward + turn right

炮塔左转 Turret left turn

右信地旋转 Right spin

炮塔左转 + 炮管下降  
Turret left turn + Gun down

后退+右转 Backward + turn right

炮管下降 Gun down

后退 Backward

炮塔右转 + 炮管下降  
Turret right turn + Gun down

后退+左转 Backward + turn left

炮塔右转 Turret right turn

冒烟开关 Smoke switch

电源开关 Power switch

启动/熄灭按钮  
Start-up / extinguish set

V 键: 音量调节设定键

V key: Volume adjustment setting key

G (Fn1) 键: 功能设定键1

G (Fn1) key: Function setting key 1

K (Fn2) 键: 功能设定键2

K (Fn2) key: Function setting key 2

温馨提示  
Kindly reminder

红外线对战系统兼容田宫对战系统。  
HENG LONG infrared battle system can battle on the same field with TAMIYA.

## 遥控器功能操作说明 Transmitter operating instructions

- G** 键 + **控制杆1** ----- 前大灯开关, 同时蜂鸣器发出声音“嘀”  
Button **G** + **Control stick 1** ----- Front light switch, the buzzer sounded "Di" in the same time.
- G** 键 + **控制杆1** ----- 后尾灯开关, 同时蜂鸣器发出声音“嘀”  
Button **G** + **Control stick 1** ----- Rear light switch, the buzzer sounded "Di" in the same time.
- G** 键 + **控制杆1** ----- 坦克后退左微调, 同时蜂鸣器发出声音“嘀”  
Button **G** + **Control stick 1** ----- Tank backward left fine-tuning, the buzzer sounded "Di" in the same time.
- G** 键 + **控制杆1** ----- 坦克后退右微调, 同时蜂鸣器发出声音“嘀”  
Button **G** + **Control stick 1** ----- Tank backward right fine-tuning, the buzzer sounded "Di" in the same time.
- G** 键 + **控制杆2** ----- 坦克前进左微调, 同时蜂鸣器发出声音“嘀”  
Button **G** + **Control stick 2** ----- Tank forward left fine-tuning, the buzzer sounded "Di" in the same time.
- G** 键 + **控制杆2** ----- 坦克前进右微调, 同时蜂鸣器发出声音“嘀”  
Button **G** + **Control stick 2** ----- Tank forward right fine-tuning, the buzzer sounded "Di" in the same time.
- G** 键 + **控制杆2** ----- 高速模式, 蜂鸣器发出声音“嘀”, 同时坦克发出声音“咚”  
Button **G** + **Control stick 2** ----- Operate mode 1 (High speed mode), The buzzer sounded "Di", In the same time the tank sounded "Don".
- G** 键 + **控制杆2** ----- 低速模式70%, 切换成功同时坦克发出声音“咚”  
Button **G** + **Control stick 2** ----- Low speed 70% mode, The tank sounded "Don" when it switch succeed.
- A** 键 ----- 机枪声及灯光  
Button **A** ----- Machine gun sound & flashing light
- B** 键 ----- 激光瞄准灯  
Button **B** ----- Laser aiming light.
- B** 键 + **A** 键 ----- BB弹发射功能和坦克后座力, 同时发射红外信号并伴随声效  
Button **B** + Button **A** ----- Launching BB bullets & tank body recoiling. Launch infrared battle signal & Firing sound effect in the same time.
- G** 键 + **A** 键 ----- 坦克陀螺仪系统开/关, 同时坦克发出声音“咚” (后续升级预用, 7.1专用)  
Button **G** + Button **A** ----- Tank gyroscope system switch ON/OFF, The tank sounded "Don" in the same time. (Preparing for subsequent upgrading, V7.1 Special)
- G** 键 + **S** 键 ----- WIFI开/关, 同时坦克发出声音“咚”  
Button **G** + Button **S** ----- Wi-Fi switch ON/OFF, The tank sounded "Don" in the same time.
- G** 键 + **K** 键 ----- 坦克声效切换 **特别注意: 切换成功时坦克自动熄火!**  
Button **G** + Button **K** ----- Tank sound effects switch **Attention: The tank will automatic stop when it switch succeed.**
- V** 键 + **控制杆1** ----- 喇叭音量增大, 同时蜂鸣器发出声音“嘀”  
Button **V** + **Control stick 1** ----- Volume up, the buzzer sounded "Di" in the same time.
- V** 键 + **控制杆1** ----- 喇叭音量减小, 同时蜂鸣器发出声音“嘀”  
Button **V** + **Control stick 1** ----- Volume down, the buzzer sounded "Di" in the same time.
- A** 键 ----- 坦克启动/熄火, 或对码  
Button **A** ----- Tank turn On/Off, Or Frequency preparing
- S** 键 ----- 冒烟开关  
Button **S** ----- Smoke function switch
- K** 键 + **S** 键 ----- 坦克后座力四档强度循环调节, 同时坦克发出声音“轰轰”(最小档为关闭后座力)  
Button **K** + Button **S** ----- Tank body recoiling four Levels cyclic adjustment, The tank sounded "HongHong" in the same time (Minimum level is off.)
- G** 键 + **B** 键 ----- BB发射功能开/关, 切换成功同时坦克发出声音“咚”  
Button **G** + Button **B** ----- BB bullets launching switch, The tank sounded "Don" when it switch succeed.



- G** 键 + **V** 键 ----- 刹车强度调节 (三个刹车档)  
Button **G** + Button **V** ----- Braking strength adjustment. ( three braking Levels cyclic adjustment. )  
备注: 主板发出“咚”一声为第一档刹车, 连续“咚咚”两声为第二档刹车, 连续“咚咚咚”三声为第三档刹车  
Remarks: Control board sound "Don" once is the 1st level braking, Sound "DonDon" twice is the 2nd level braking. "DonDonDon" three times is the 3rd level braking.  
第一档刹车为: 弱 1<sup>st</sup> level braking: Weak  
第二档刹车为: 标准 2<sup>nd</sup> level braking: Standard  
第三档刹车为: 强 3<sup>rd</sup> level braking: Strong
- K** 键 + **控制杆1** ----- 左手油门模式, 同时蜂鸣器发出声音“嘀”  
Button **K** + **Control stick 1** ----- Left hand control mode, the buzzer sounded "Di" in the same time.
- K** 键 + **控制杆1** ----- 右手油门模式, 同时蜂鸣器发出声音“嘀”  
Button **K** + **Control stick 1** ----- Right hand control mode, the buzzer sounded "Di" in the same time.
- K** 键 + **控制杆1** ----- 超信地旋转最高速增加, 同时蜂鸣器发出声音“嘀”  
Button **K** + **Control stick 1** ----- Raise the tank self-rotate speed, the buzzer sounded "Di" in the same time.
- K** 键 + **控制杆1** ----- 超信地旋转最高速减小, 同时蜂鸣器发出声音“嘀”  
Button **K** + **Control stick 1** ----- Slow down the tank self-rotate speed, the buzzer sounded "Di" in the same time.
- K** 键 + **控制杆2** ----- 转弯比率减小, 同时坦克发出声音“咚”  
Button **K** + **Control stick 2** ----- Reduces the turning circle, The tank sounded "Don" in the same time.
- K** 键 + **控制杆2** ----- 转弯比率增大, 同时坦克发出声音“咚”  
Button **K** + **Control stick 2** ----- Increase the turning circle, The tank sounded "Don" in the same time.
- K** 键 + **A** 键 ----- 机枪声效切换, 切换成功坦克发出第二机枪声  
Button **K** + Button **A** ----- Machine gun sound effects switch, The tank sounded 2<sup>nd</sup> Machine gun sound when it switch succeed
- K** 键 + **控制杆2** ----- 自动装填炮弹动作的开/关, 同时坦克发出声音“咚” (7.1专用)  
Button **K** + **Control stick 2** ----- Auto loading shells switch, The tank sounded "Don" in the same time. (V7.1 Special)
- K** 键 + **控制杆2** ----- 警示灯开/关 或 警示灯闪烁模式调节 (循环调节, 7.1专用) / 舵机信号1.0至2.0切换 (7.1专用), 同时坦克发出声音“咚”  
Button **K** + **Control stick 2** ----- Police flashing lights switch or Warning flashing lights mode adjustment (Circulation Adjustment, V7.1 Special) / Servo Signal switch between V1.0 & V2.0 (V7.1 Special), The tank sounded "Don" in the same time.
- K** 键 + **B** 键 ----- 超信地旋转的开/关, 同时坦克发出声音“咚”  
Button **K** + Button **B** ----- Super self-rotate switch, The tank sounded "Don" in the same time.
- G** 键 + **A** 键 (需按住5秒) ----- 双流模式与混控模式切换, 切换成功同时坦克发出声音“咚”  
Button **G** + Button **A** (Holding for 5 sec) ----- Double current mode & Mix control mode switch, The tank sounded "Don" when it switch succeed.

### 特别注意 Attention

坦克车底驱动波箱必须先更换为双流变速箱后才能切换成双流模式, 否则坦克将变成单边履带运转, 无法操控, 此时务必再按下 **G** 键 + **A** 键5秒来切换回混控模式。

The tank must change to double current driving system first then can be switched. Otherwise the tank will become uncontrollable one-side running. At this time have to press button **G** + Button **A** to switch back to the mix control mode.

混控模式时使用  
Used in mix control mode



双流模式时使用  
Used in double current mode



- A** 键 + **G** 键 + **K** 键 ----- 恢复出厂默认设置  
Button **A** + Button **G** + Button **K** ----- Restore the factory settings

恢复出厂默认设置方法: 先关闭遥控器电源后, 再同时按下此三个按键不放再打开遥控器电源开关至蜂鸣器发出“滴滴”两声提示声, 即可松开此三个按键, 此时出厂默认重置成功。

Operating method: Turn off the transmitter's power first, now press & hold these 3 buttons then turn on the transmitter's power again until hear "DiDi" sound from the buzzer. At this time these 3 buttons can be released. Restore the factory settings succeed.