

产品仅适合14岁以上儿童使用
 Not suitable for children under 14 years old
 使用前详阅本说明书
 Please read through this manual before use.



1/16 SCALE 2.4GHz REAL RADIO CONTROL BATTLE TANK

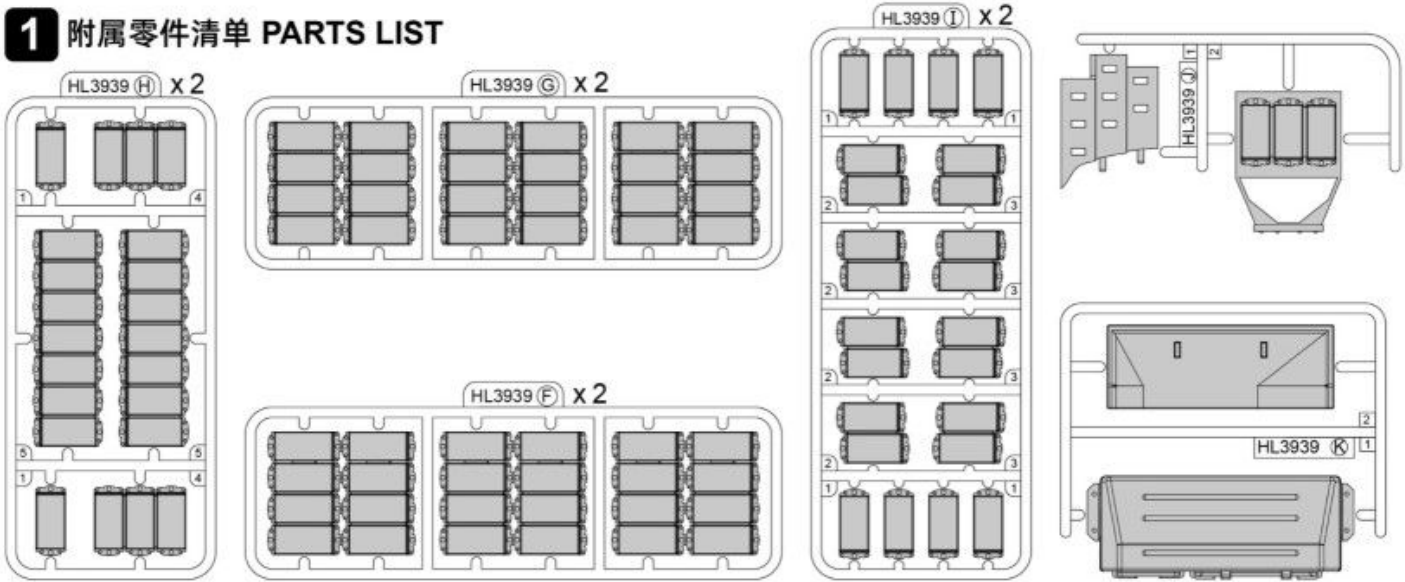
RUSSIAN T-72 MBT

AUTOMATIC ELECTRIC GUN SYSTEM INSTALLED. PERFECT ACTIONS RADIO CONTROL BATTLE TANK.

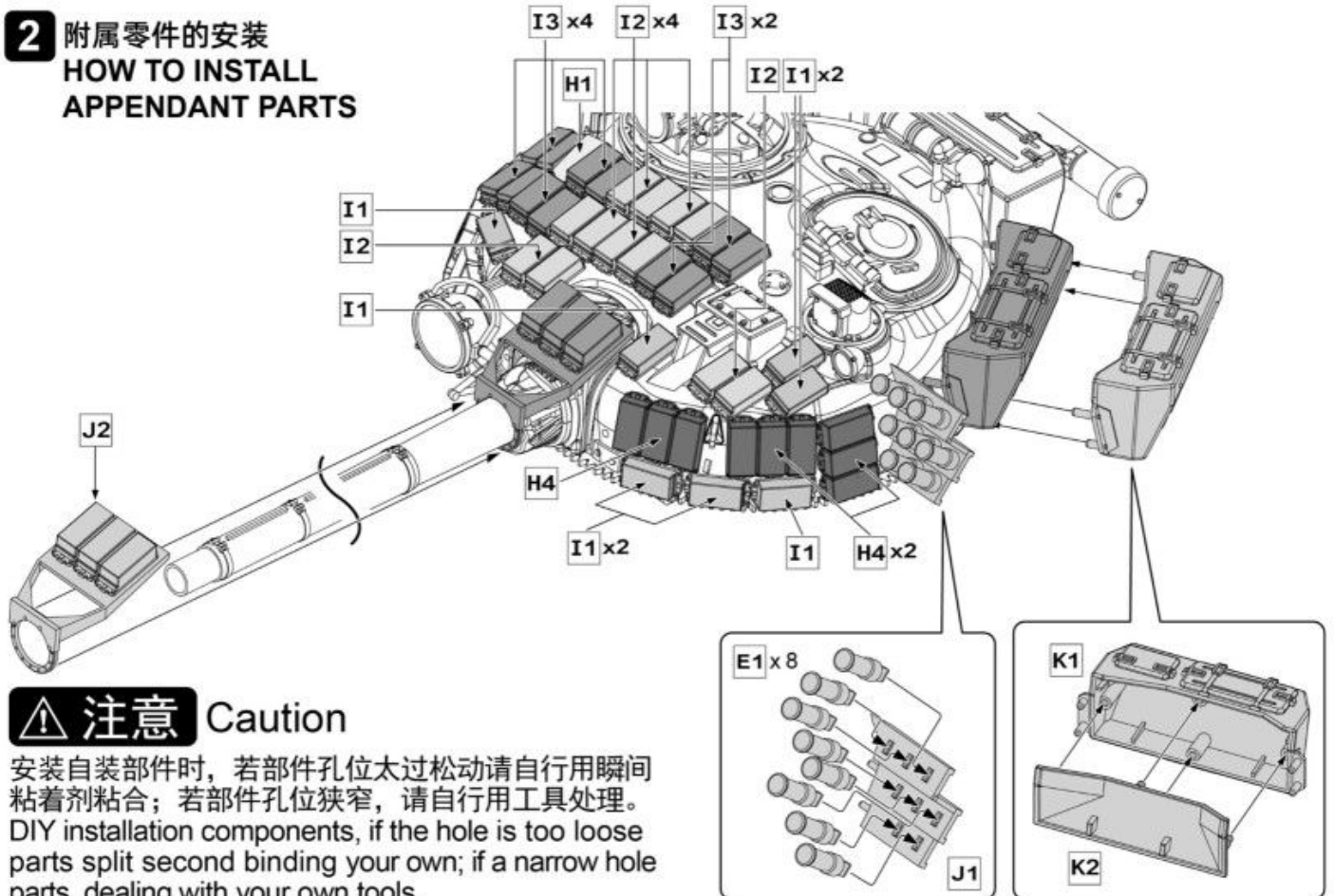
坦克装甲安装方法 Tank Armor install method

NO.3939-1

1 附属零件清单 PARTS LIST



2 附属零件的安装 HOW TO INSTALL APPENDANT PARTS



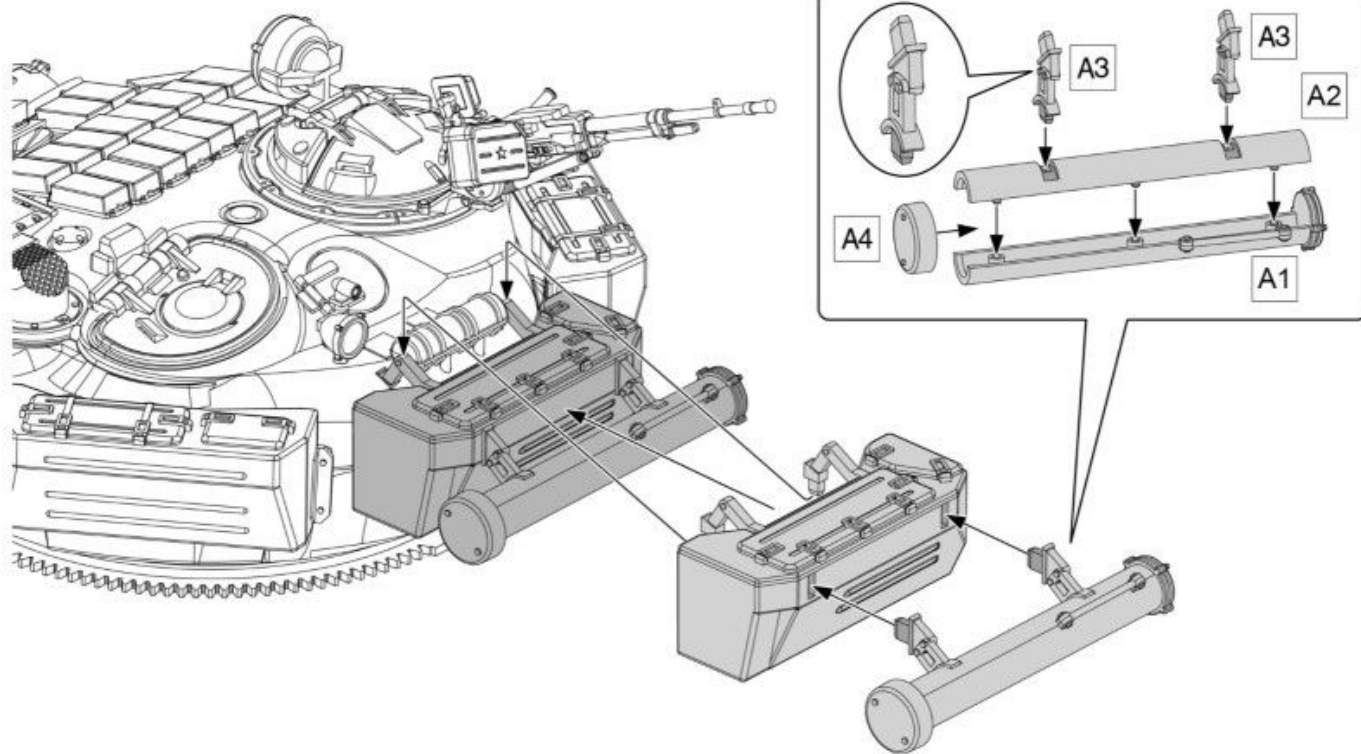
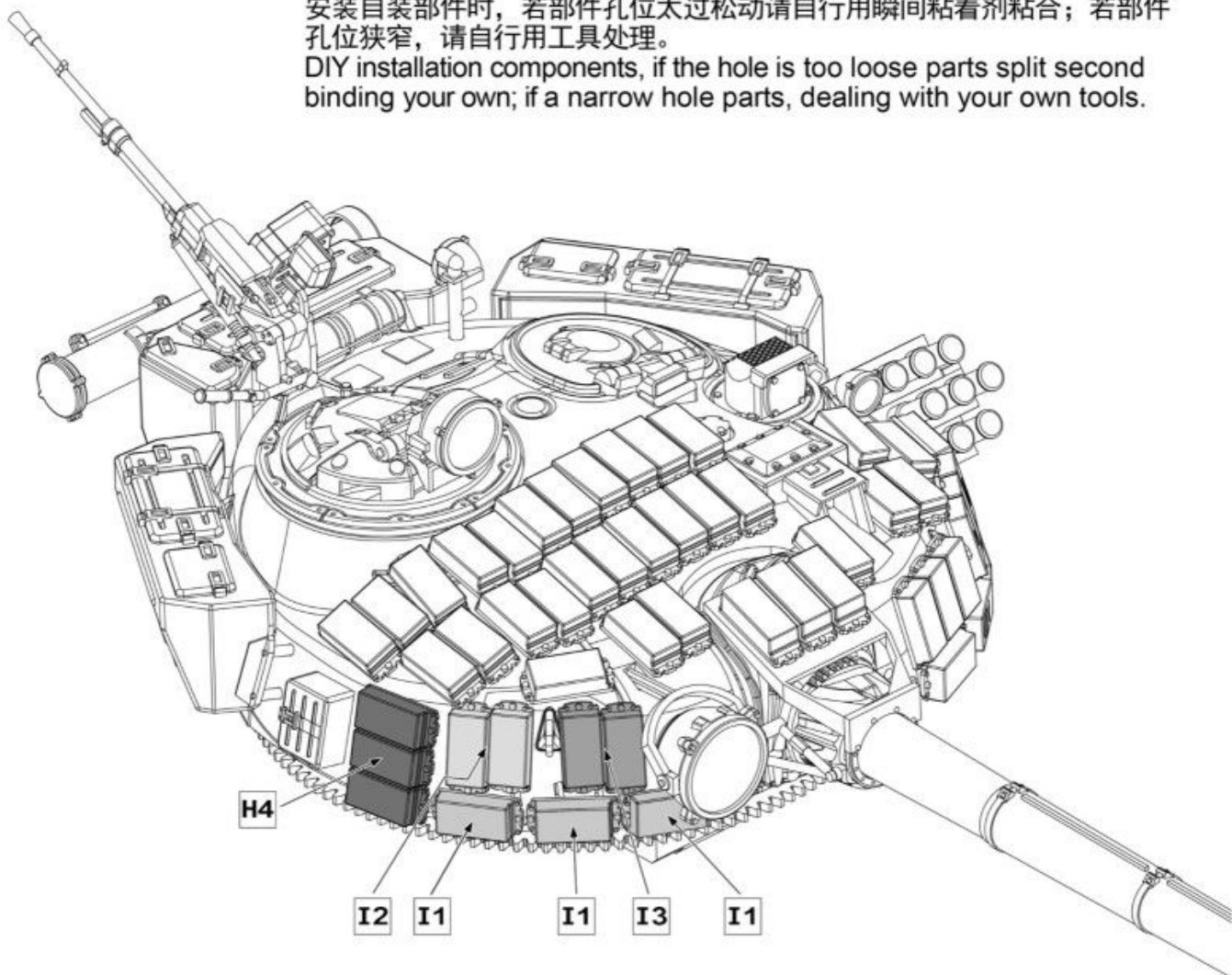
⚠ 注意 Caution

安装自装部件时，若部件孔位太过松动请自行用瞬间粘着剂粘合；若部件孔位狭窄，请自行用工具处理。
 DIY installation components, if the hole is too loose parts split second binding your own; if a narrow hole parts, dealing with your own tools.

⚠ 注意 Caution

安装自装部件时，若部件孔位太过松动请自行用瞬间粘着剂粘合；若部件孔位狭窄，请自行用工具处理。

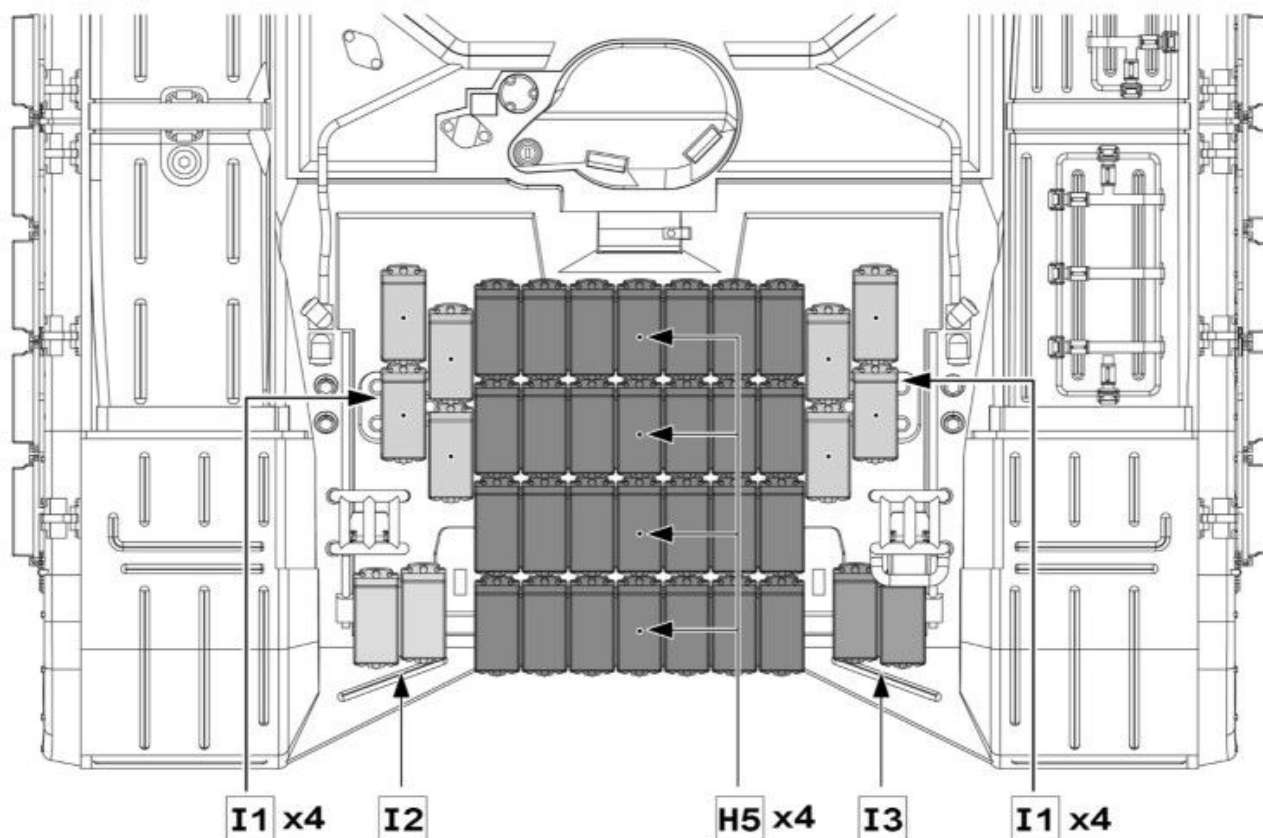
DIY installation components, if the hole is too loose parts split second binding your own; if a narrow hole parts, dealing with your own tools.



⚠ 注意 Caution

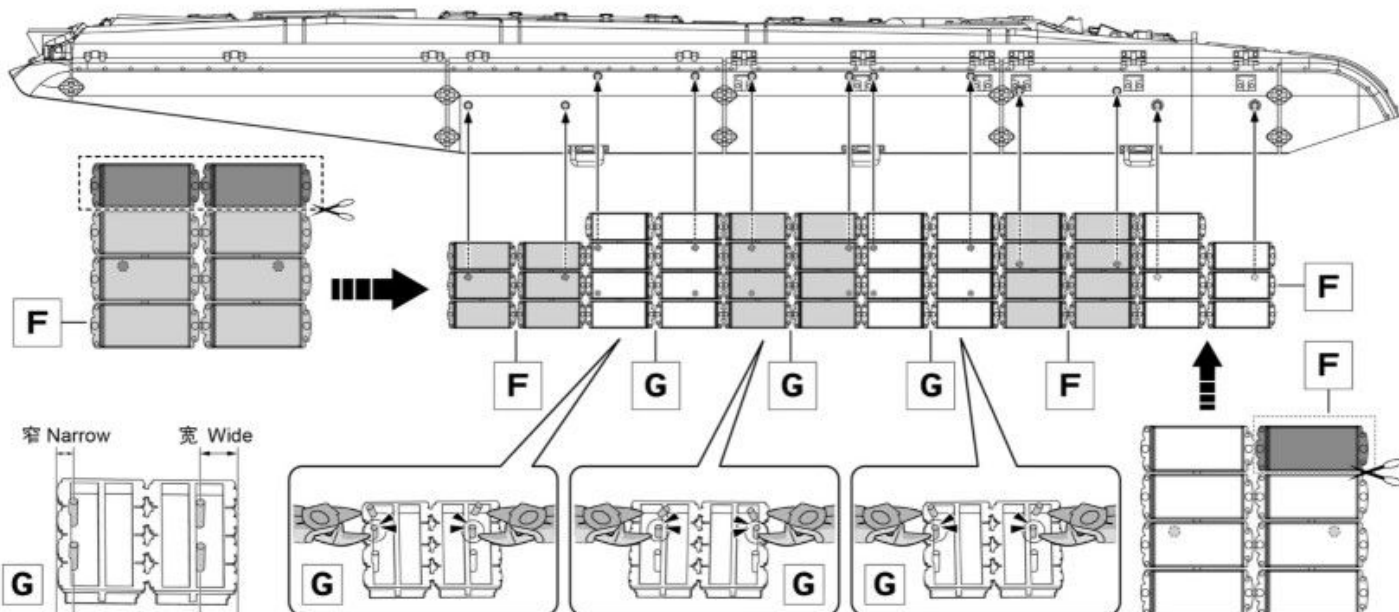
安装自装部件时，若部件孔位太过松动请自行用瞬间粘着剂粘合；若部件孔位狭窄，请自行用工具处理。

DIY installation components, if the hole is too loose parts split second binding your own; if a narrow hole parts, dealing with your own tools.



1. 如下图所示，先将装甲片 **F** 被方框“□”圈住的胶片除去，然后再按正确方向将装甲片 **F** 安装到车壳侧面相应的孔位上。
2. 如下图所示，先将装甲片 **G** 按照图示被圆圈“○”圈住的胶柱剪平，然后再按正确方向将装甲片 **G** 安装到车壳侧面相应的孔位上。

1. As the shown below, First remove the part off from the Armor **F** which encircle by the frame "□". Then install it to the corresponding hole on the side of the shell according to the correct direction.
2. As the shown below, First cut the plastic column flat from the Armor **G** which encircle by the circle "○" in the figure. Then install it to the corresponding hole on the side of the shell according to the correct direction.



⚠ 注意 Caution

安装自装部件时，若部件孔位太过松动请自行用瞬间粘着剂粘合；若部件孔位狭窄，请自行用工具处理。

DIY installation components, if the hole is too loose parts split second binding your own; if a narrow hole parts, dealing with your own tools.

