

U.S. RADAR VEHICLE

1/12 SCALE SIMULATION MODEL

- BEARING TYPE TRAILER BODY, THE WHOLE CAR ALLOY MATERIAL HEAVY CHASSIS.
- SHOCK TUBE+DOUBLE PLATE SPRING NON INDEPENDENT DAMPING SYSTEM.
- INDEPENDENT REMOTE CONTROL AND TRACTOR REMOTE CONTROL.
- HIGH-POWER ELECTRIC PUSH AND PULL ROD IT CAN LIFT THE WHOLE CAR OFF THE GROUND.
- THE MISSILE LAUNCH TOWER AND RADAR CAN BE ROTATED 360° CLOCKWISE AND ANTICLOCKWISE CONTINUOUSLY.



1:12
SCALE
MODEL

MULTI-FUNCTION
REMOTE CONTROL

SUCH AS
ROUNDER
ASSEMBLY

ALL-TERRAIN
SUSPENSION

SLOW DOWN
MOTOR

DIY
ASSEMBLY



NO. HG-P804

2.4 GHz
CONTROL SYSTEM

14+
AGES II

产品仅适合14岁以上年龄使用
(Not suitable for under 14 years old)

(使用说明书)
(Instruction manual)

安全措施 Safety precautions

此遥控模型并非普通玩具，操作前先按说明书步骤完成组装。

This remote control model is not an ordinary toy. It should be assembled according to the instructions before operation.

操作遥控模型时注意事项 Cautions to observe when operating R/C models

1. 请选择不妨碍他人的地方完成模型组装，组装完成后请在空旷无人的地方操控模型；
 2. 切勿在路上使用遥控模型车。
 3. 切勿在人多的地方或靠近小孩的地方驾驶遥控模型车
 4. 请勿在拥挤的地方或室内操作遥控模型车。
 5. 请勿在其他不适当的区域操控遥控模型。
1. Please select a place that will not interfere with others to complete the model assembly. After the assembly is completed, please control the model in an empty place.
 2. Do not use remote-controlled model cars on the road.
 3. Do not drive the remote control model car in crowded places or near children.
 4. Do not operate the remote control model car in crowded places or indoors.
 5. Do not operate the remote control model in other inappropriate areas.

雷达车连接拖头车时注意事项 Cautions when connect radar vehicle connect to tractor

连接拖头操作时，请遵循下面列出的正确的遥控模型开启/关闭程序，否则遥控模型可能失控导致严重事故。

When connecting the tractor, please follow the correct opening/closing procedure for the remote control model listed below, otherwise the remote control model may get out of control and cause serious accident.

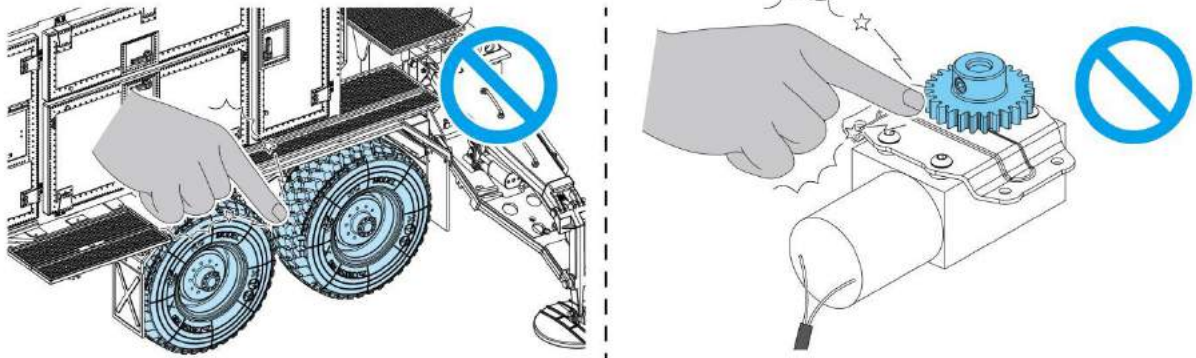
1. 将遥控模型放置在支架上，使其车轮悬空；
 2. 将信号线（延长线）连接到拖头内的接收机上；
 3. 另一端再连接UBEC电源（注意不得反接正负极）；
 4. 连接电池，打开电源开关，接收机通电；
 5. 打开发射器电源开关。
1. Place the remote control model on the bracket with the wheels suspended;
 2. Connect the signal wire (extension wire) to the receiver in the tractor head;
 3. The other end is then connected to UBEC power supply (pay attention not to reverse connection of positive and negative poles);
 4. Connect the battery, turn on the power switch and energize the receiver;
 5. Turn on the transmitter.

遥控模型关闭顺序相反 Opposite sequence for shutting down R/C model

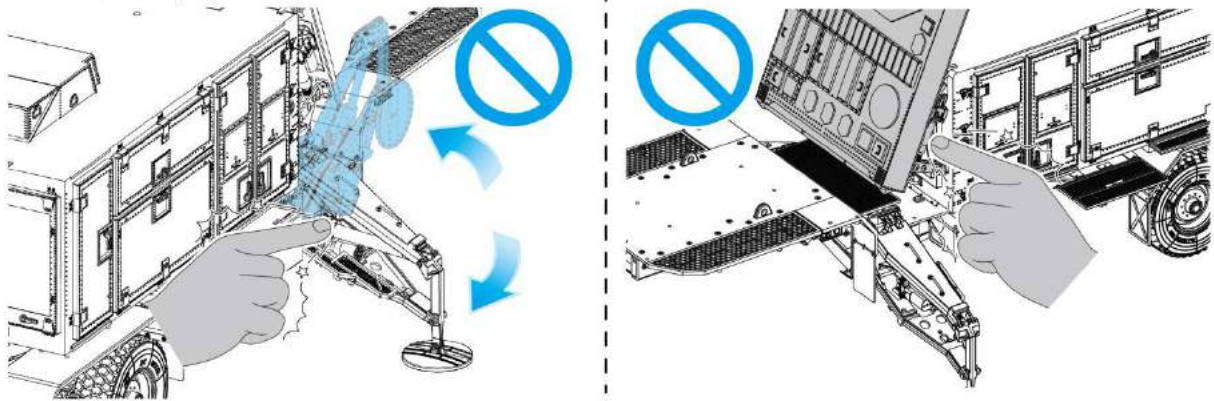
1. 关闭接收机电源；
 2. 关闭发射器(遥控器)；
 3. 断开并拿出电池。
1. Turn off receiver power;
 2. Turn off the emitter(transmitter);
 3. Disconnect and remove the battery.

⚠ 警告 (Warning):

1. 切勿让手指、头发、衣服等触摸到任何转动部件，如轮子、传动轴或齿轮，可能会导致严重的伤害。
Do not allow fingers, hair, clothing, etc. to touch any moving parts such as wheels, shafts or gears, which may cause serious injury.



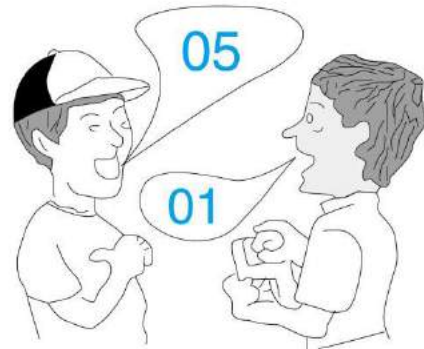
2. 切勿将手(指)伸入到摆臂(支撑脚)、旋转底座或升降塔台，以防意外伤害。
Do not put your fingers into the swing arms (supporting foot), rotating base or tower to prevent accidental injury.



3. 小心另一个遥控频率的干扰。请使用本厂专用的发射机操作遥控模型。
Watch out for interference from another remote frequency, please use our special transmitter to operate the remote control model.



4. 确保在你的操作区域没有其他人使用与你相同的频率。同时使用相同的频率，都可能导致遥控模型失去控制，导致严重事故。
Make sure that no one else in your area of operation is using the same frequency as you. Using the same frequency at the same time can cause the remote control model to lose control, leading to a serious accident.



5. 在布线、连接和绝缘电缆时要格外小心。
 6. 确保电线连接牢固，组装前请仔细检查连接线是否破损，切勿使用损坏的电线，损坏的电线是非常危险的，会引起短路导致火灾。请在您当地的专业商店修理电线。
 7. 运行到极限或卡死（受阻）时，应立即按停止键或断开电源，不得长时间处于卡死状态，长时间的受阻会使旋转部件的电机过热或部件损坏。
 8. 禁止擅自改装该模型产品，和不按规定操作模型由此引发的事故，后果自负！
5. Extreme care should be taken when wiring, connecting, and insulating cables.
 6. Make sure the wires are firmly connected. Please carefully check whether the wires are damaged before assembly. Do not use damaged wires, as damaged wires are very dangerous and may cause short circuit and fire. Please repair the wires at your local specialty store.
 7. When running to the limit or stuck (blocked), should immediately press the stop button or disconnect the power supply, shall not be stuck for a long time, long time blocked will make the motor of the rotating parts overheating or parts damage.
 8. Unauthorized modification of the model products is prohibited, and do not operate the model according to the provisions of the accident caused by the consequences!

电池 (Battery):

1. 发射机或接收机的电池电量不足，可能会导致模型失去控制。
 2. 长时间弱运行电池也可能导致电池损毁或电子配件设备损坏
 3. 当不使用遥控模型时，请务必及时断开并取出电池。
 4. 请勿私自拆卸电池或随意切断电池电线
 5. 运行电池短路，大约至少300w的电可以释放，导致火灾或烧伤。
1. Low battery power in the transmitter or receiver could cause the model to go out of control.
 2. Running the battery weakly for a long time can also lead to battery damage or damage to electronic components
 3. When the remote control model is not in use, be sure to disconnect and remove the battery in time.
 4. Do not remove the battery or cut off the battery wires without permission.
 5. Running battery short circuit. Approximately at least 300 watts of electricity can be released, causing a fire or burn.

正确充电 (The correct charging):

1. 持续充电可能会损坏电池，在最坏的情况下，可能会积累热量导致火灾。
 2. 如果电池在充电过程中变得非常热，请咨询您当地的爱好商店检查/维修。
 3. 禁止私自改装和维修充电器
 4. 不要在电池还热的时候给电池充电。
 5. 充电完毕后，请及时拔出充电器
 6. 如果你的遥控模型湿了，立即停止运行，因为可能导致短路。
 7. 请妥善处理电池。不要把电池放在火里。
1. Constant charging can damage the battery and, in the worst case, can build up heat and cause a fire.
 2. If the battery gets very hot during charging, please ask your local hobby store for a check/repair.
 3. Do not modify or repair the charger without permission.
 4. Do not charge the battery while it is still hot.
 5. Please pull out the charger in time after charging.
 6. If your remote control model gets wet, stop running it immediately, as it may cause a short circuit.
 7. Please dispose of the battery properly. Don't put the battery in the fire.

 **注意 (Warning):**



1. 在开始装配前仔细阅读并充分理解说明书。
Read the instructions carefully and fully understand them before starting the assembly.



禁止14岁以下儿童使用。
Forbid a child under 14 years of age an usage.

2. 禁止14岁以下年龄段人群使用该产品。
People under the age of 14 are prohibited from using the product.



3. 首次装配模型者应请教有操作经验的人作相关指导。
The first time assembler should consult the person with operation experience for relevant instructions



4. 在装配此套件时，需要使用刀具等工具，请小心处理刀具等工具；
When assembling this kit, you need to use tools such as cutting tools, please handle with care;



5. 产品含有小且尖锐的零件，请放在儿童接触不到的地方。
The product contains small sharp parts. Keep out of reach of children.



6. 不能让小孩把任何东西放进嘴里，也不能把塑料袋套在头上。
Children should not be allowed to put anything in their mouths or put plastic bags over their heads.

特别警告 Especially warning



激光不可直视眼睛
不可作为儿童玩具
WORRY ABOUT LASER
DON'T LOOK DIRECTLY

7. 产品含有激光照射，不可直视眼睛，更不可作为儿童玩具！
Do not look directly into the eyes of the laser and cannot be used as a children's toy!



噪声有害
NOISE IS
HARMFUL

8. 组装模型或操控模型时可能会产生有害噪声，请注意作好防护！
The assembly or control of the model may produce harmful noise, please pay attention to the protection!

遥控器功能介绍 Transmitter function introduce

8通 遥控器

8 Channels transmitter

左后摆臂往上摆
Left rear swing up the arm

停止 ● CH9 左后摆臂控制
Stop ● CH9 Left back swing arm control

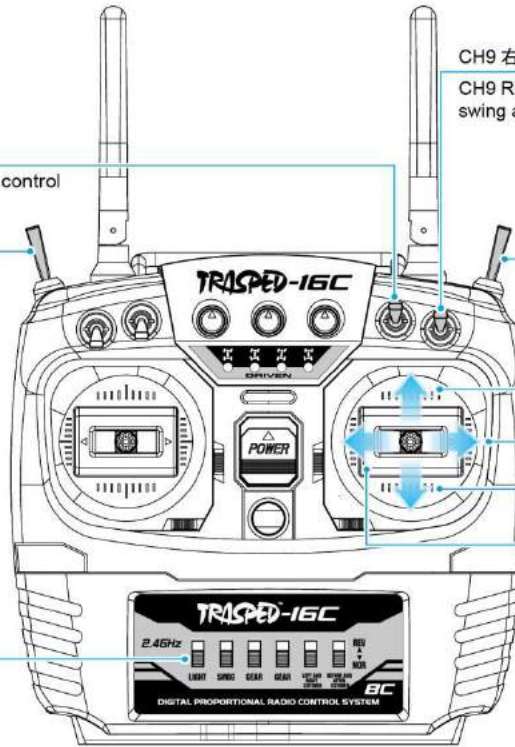
左后摆臂往下摆
Left rear swing arm down

左前摆臂往上摆
Left front swing arm up

停止 ● CH9 左前摆臂控制
Stop ● CH9 Left front swing arm control

左前摆臂往下摆
Left front swing arm down

雾灯开关
Fog lamp switch



CH9 右后摆臂控制

CH9 Right rear swing arm control

右后摆臂往上摆

Right rear swing arm up

● 停止 Stop

右后摆臂往下摆

Right rear swing down the arm

右前摆臂往上摆

Right front swing up the arm

CH9 右前摆臂控制

CH9 Right front swing arm control

● 停止 Stop

右前摆臂往下摆

Right front swing arm down

雷达往上摆动 The radar swings up

雷达往右转动

The radar swings to the right

雷达往下摆动

The radar swings down

雷达往左转动

The radar swings to the left

注:

1. 该产品仅限使用本厂生产的8通方形遥控器操控。

2. 这是连接HG-P802牵引拖头的8通接收机时遥控操作功能指示, 本产品包装不配置该遥控器。

Remark

1. This product can only be operated by the 8ch square transmitter produced by our factory.

2. This is the remote control operation function indication when connecting the 8ch receiver of tractor HG-P802, This transmitter not configured in the packaging of this product.

YK005 通用小遥控器 YK005 Small universal remote controller

工作指示灯 Work indicator light

选择左前 Choose left front

选择4个支撑摆臂同时运转
Choose the four supporting arms operate at the same time

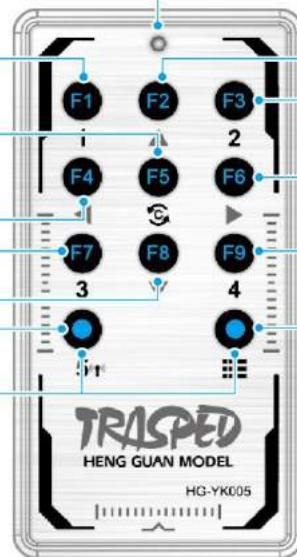
主体左旋 Body rotation to the left

选择左后 Choose left rear

操作向下 Operation down

选择升降 Choose up and down

同时按下为重新对频
press at the same time to reset the frequency



操作向上 Operation up

选择右前 Choose right front

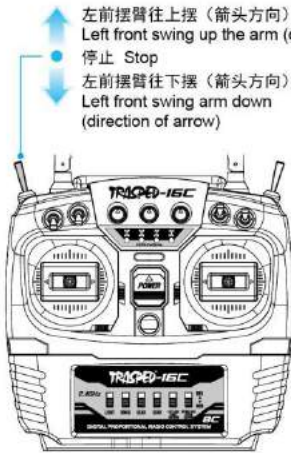
主体右旋 Body rotation to the right

选择右后 Choose backward

M菜单功能键/雾灯开关
M menu function button / Fog lamp switch

基本操作 Basic Operation

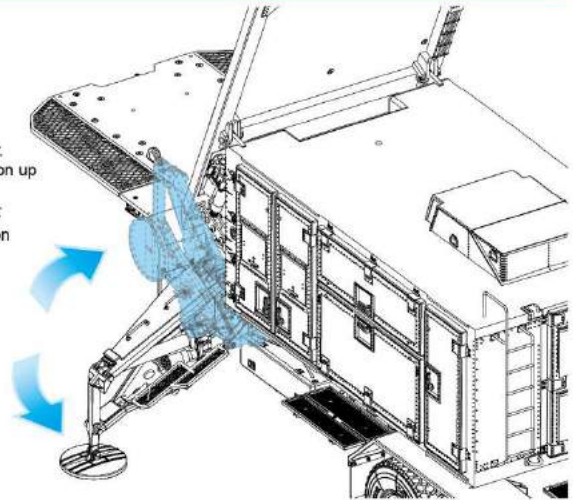
1. 左前摆臂控制 Left front swing arm control



- ↑ 左前摆臂往上摆 (箭头方向)
Left front swing up the arm (direction of arrow)
- 停止 Stop
- ↓ 左前摆臂往下摆 (箭头方向)
Left front swing arm down (direction of arrow)



先按一下“F1选择左前”，用“F2操作向上”和“F8操作向下”控制左前摆臂上升和下降。
Firstly press "F1 choose left front", and then use "F2 operation up" and "F8 operation down" to control the left front swing arm up and down.



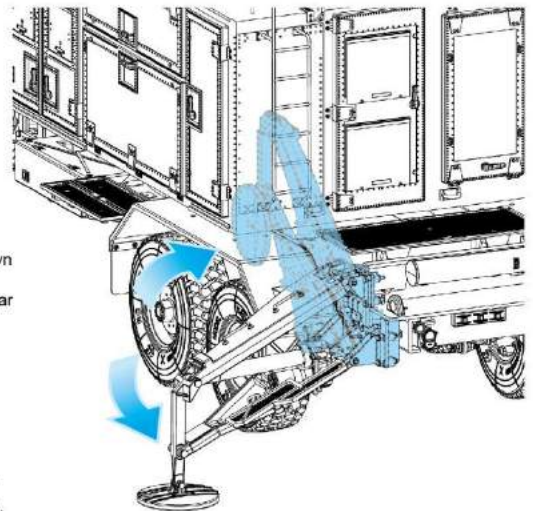
2. 左后摆臂控制 Left back swing arm control



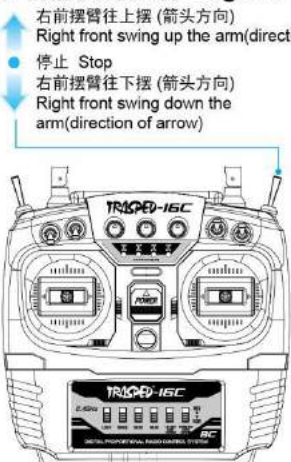
- ↑ 左后摆臂往上摆 (箭头方向)
Left back swing up the arm (direction of arrow)
- 停止 Stop
- ↓ 左后摆臂往下摆 (箭头方向)
Left back swing arm down (direction of arrow)



先按一下“F7选择左后”，再按用“F2操作向上”和“F8操作向下”控制左后摆臂上升和下降。
Firstly press "F7 choose left rear", and then use "F2 operation up" and "F8 operation down" to control the left back swing arm up and down.



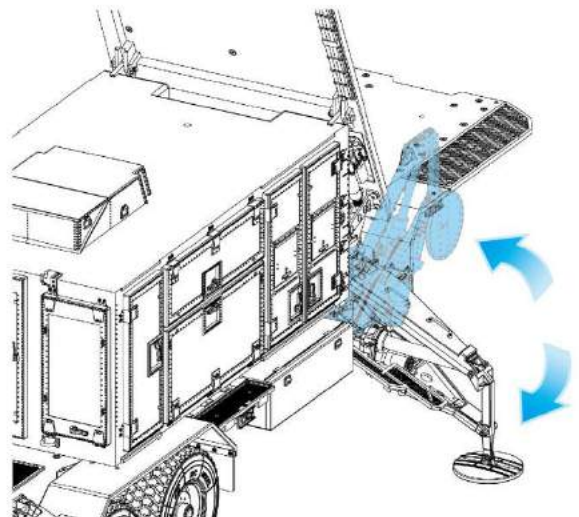
3. 右前摆臂控制 Right front swing arm control



- ↑ 右前摆臂往上摆 (箭头方向)
Right front swing up the arm (direction of arrow)
- 停止 Stop
- ↓ 右前摆臂往下摆 (箭头方向)
Right front swing down the arm (direction of arrow)

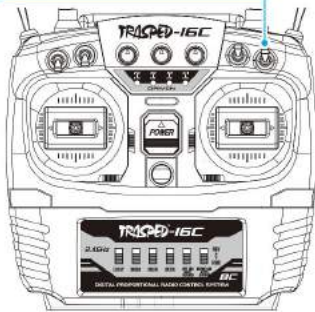


先按一下“F3选择右前”，用“F2操作向上”和“F8操作向下”控制右前摆臂上升和下降。
Firstly press "F3 choose right front", and then use "F2 operation up" and "F8 operation down" to control the right front swing arm up and down.

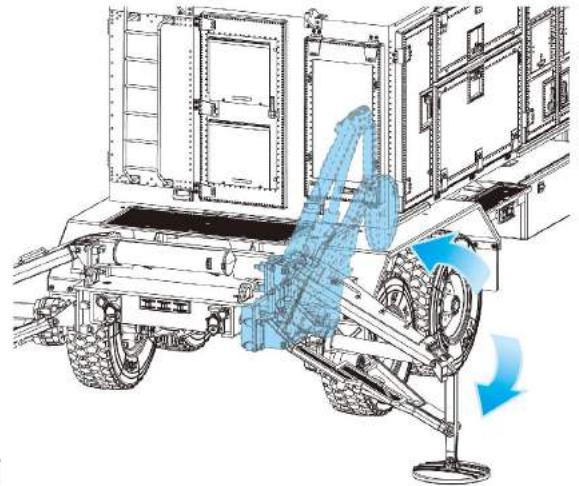


4. 右后摆臂控制 Right back swing arm control

- ↑ 右后摆臂往上摆 (箭头方向)
Right back swing arm up (direction of arrow)
- 停止 Stop
- ↓ 右后摆臂往下摆 (箭头方向)
Right back swing arm down (direction of arrow)



- F2操作向上
F2 operation up
- F8操作向下
F8 operation down
- F9选择右后
F9 choose right rear

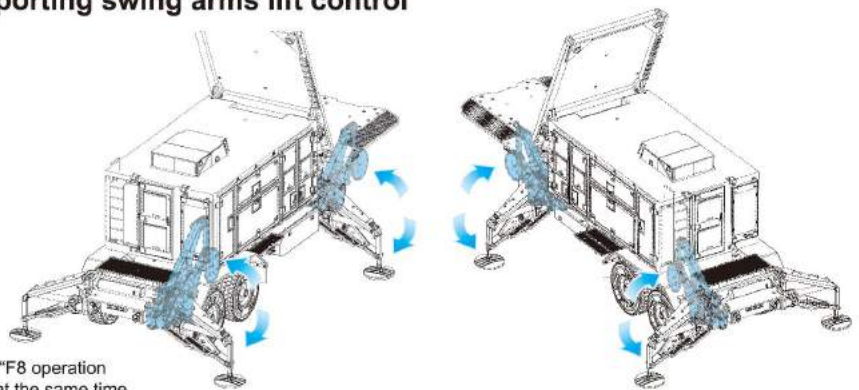


先按一下“F9选择右后”，再按“F2操作向上”和“F8操作向下”控制右后摆臂上升和下降。
Firstly press "F9 choose right rear", and then press "F2 operation up" and "F8 operation down" to control the right back swing arm up and down.

5. 4个支撑摆臂升降控制 Four supporting swing arms lift control

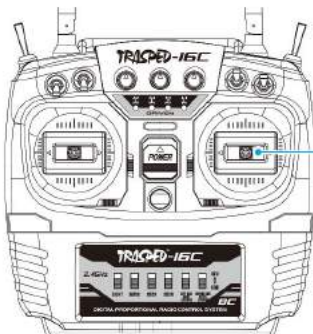


- F2操作向上 F2 operation up
- F5选择4个支撑摆臂同时运转
F5 choose the four supporting arms operate at the same time
- F8操作向下
F8 operation down



先按一下“F5选择4个支撑摆臂同时运转”，再按“F2操作向上”和“F8操作向下”控制4个支撑摆臂同时上升和下降。
Firstly press "choose the four supporting arms operate at the same time", and then press "F2 operation up" and "F8 operation down" to control the four supporting arms up and down at the same time.

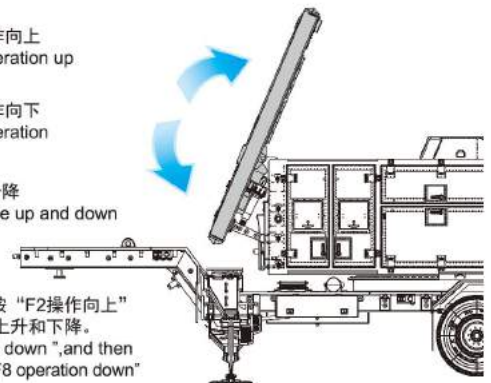
6. 雷达升降控制 Radar lift control



- ↑ 雷达往上摆动 (箭头方向)
The radar swings up (direction of arrow)
- 停止 Stop
- ↓ 雷达往下摆动 (箭头方向)
The radar swings down (direction of arrow)

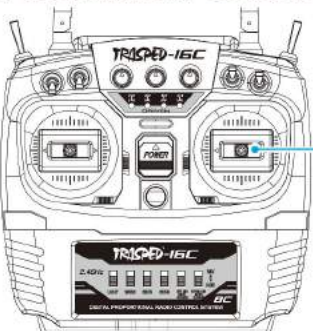


- F2操作向上
F2 operation up
- F8操作向下
F8 operation down
- 选择升降
Choose up and down



先按一下“选择升降”，再按“F2操作向上”和“F8操作向下”控制雷达上升和下降。
Firstly press "choose up and down", and then press "F2 operation up" and "F8 operation down" to control the radar up and down.

7. 雷达转动控制 Radar rotation control

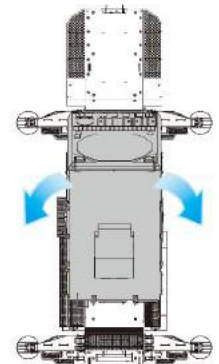


- ← 雷达往左摆动
The radar swings to the left
- 停止 Stop
- 雷达往右摆动
the radar swings to the right



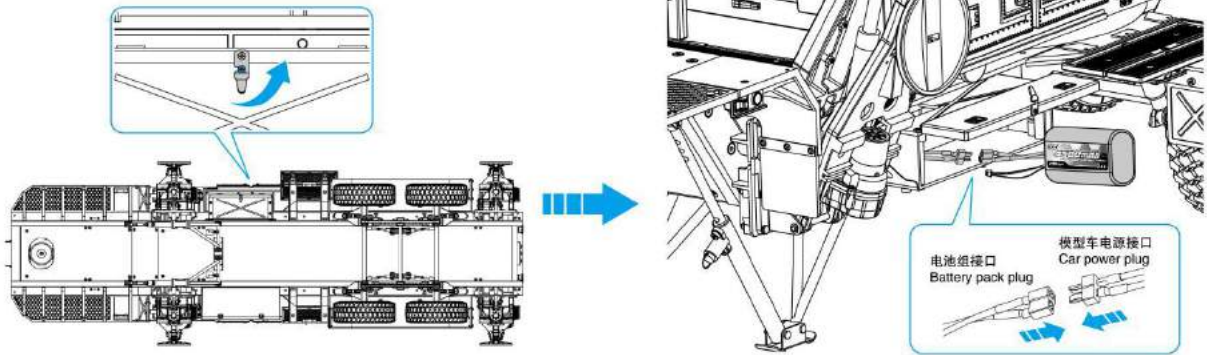
- F4主体左旋
F4 body rotation to the left
- F6主体右旋
F6 body rotation to the right

按一下“F4主体左旋”或“F6主体右旋”控制主体左/右旋转。
Press "F4 body rotation to the left" or "F6 body rotation to the right" to control the radar rotation to the left or right.



模型电池的装配(另购) Assembly of the model battery(Optional)

打开模型电池盖，安装电池。
Open the battery cover of the model and install the battery.



如产品长时间不使用，请立即将电池插头从产品中拔出，取出电池！

If not to use the product for a long time, please immediately unplug the plug from the product and take out batteries.

推荐工具 Tools recommended

产品包装自带工具 Product package include the tools as below

- 内六角螺丝刀 Inner hexagon screwdriver
 - H2.5 2.5mm
 - H2.0 2.0mm
 - H1.5 1.5mm
- 螺丝刀 Screwdriver
- 开口扳手(小) Open-end spanner(small)
- 十字六角筒(小) Cross hexagon cylinder (small)
- 尼龙扎带 Nylon cable tie

自备工具 Self provided tools

- 十字螺丝刀(小) Cross screwdriver(Small)
 - 剪钳 Side cutters
 - 长尖嘴钳 Long nose pliers
 - 塑料粘合剂 Plastic cement
 - 剪刀 Scissors
 - 模型刀 Modeling knife
 - 镊子 Tweezers
 - 瞬间粘合剂 Instant cement
 - 橡胶锤 Rubber hammer
 - 锉刀 File
 - 手钻 Hand drill
 - 润滑油 Lube
 - 游标卡尺 Vernier caliper
- 锉刀和软布也有助于安装。
File and soft cloth will also assist in construction.



部件组装图 (Parts assembly diagram)

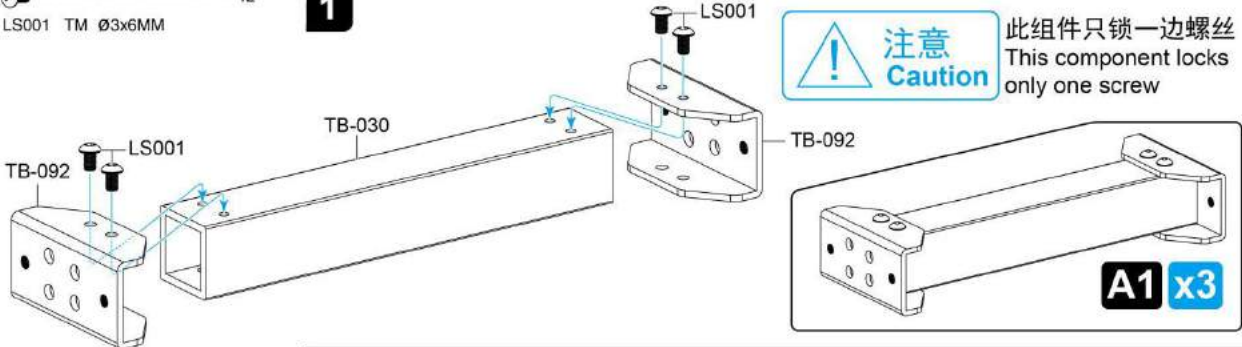
说明
Explanation

下列组装步骤中的阴影部分为已经组装完成，说明书提供组装过程，以便于用户深刻了解详细步骤和产品结构，方便日常的维修及保养

The following assembly steps are shaded to indicate that the assembly has been completed. The manual provides the assembly process instructions so that the user can understand the detailed steps and the product.

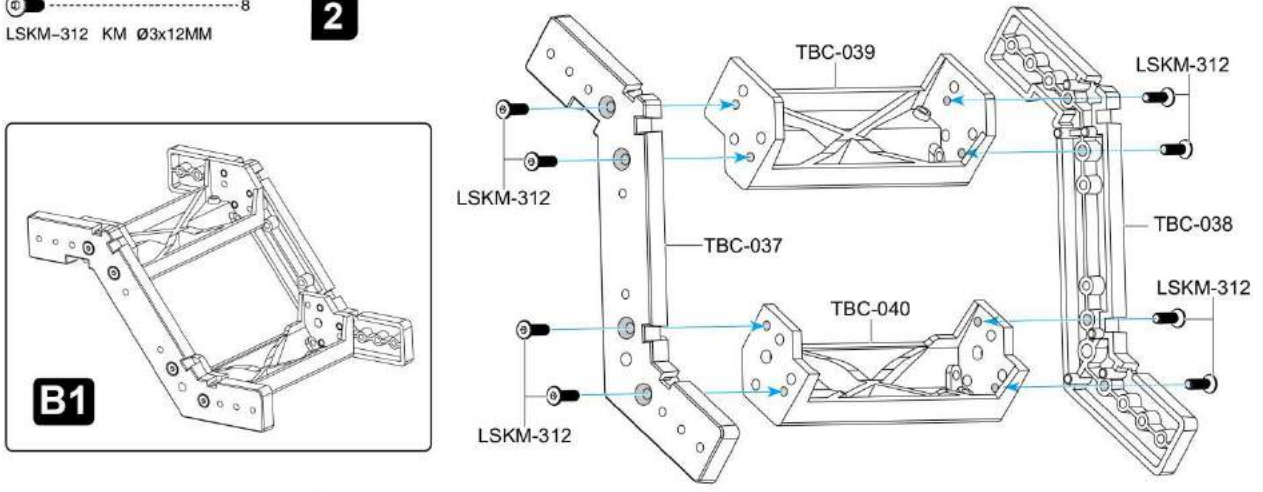
12
LS001 TM Ø3x6MM

1



8
LSKM-312 KM Ø3x12MM

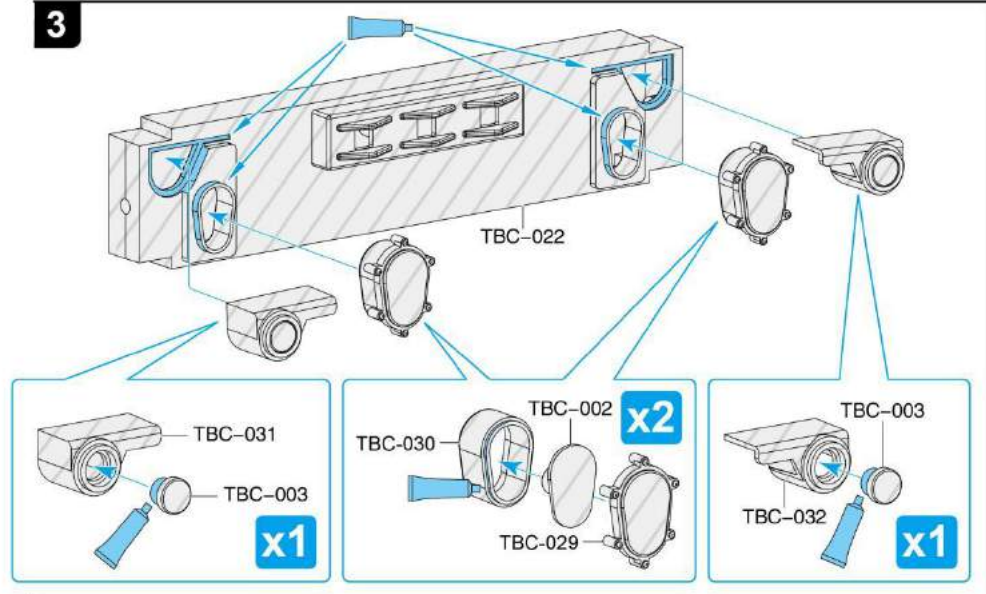
2



2
TBC-003 黄色灯罩
Yellow Lampshade

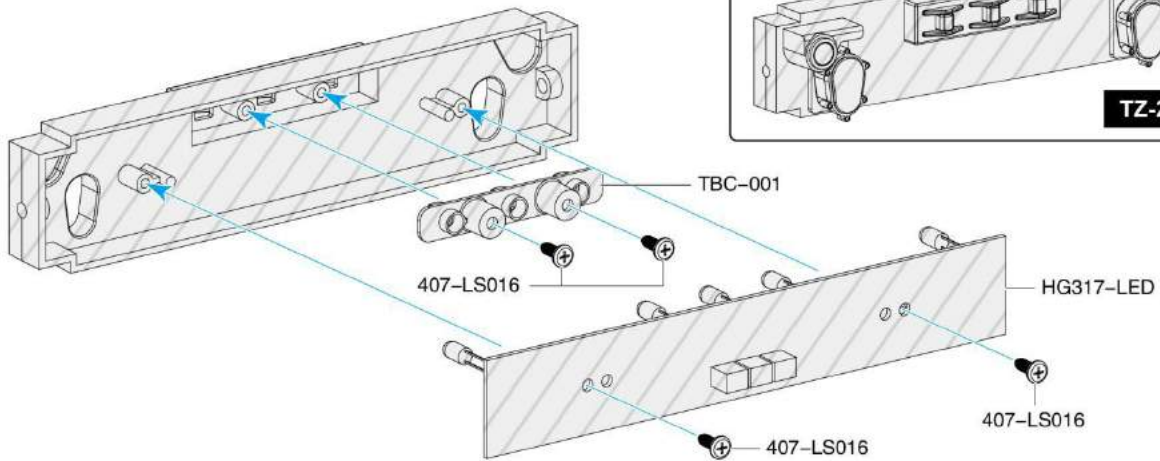
2
TBC-002 红色雾灯罩
Red fog lampshade

3

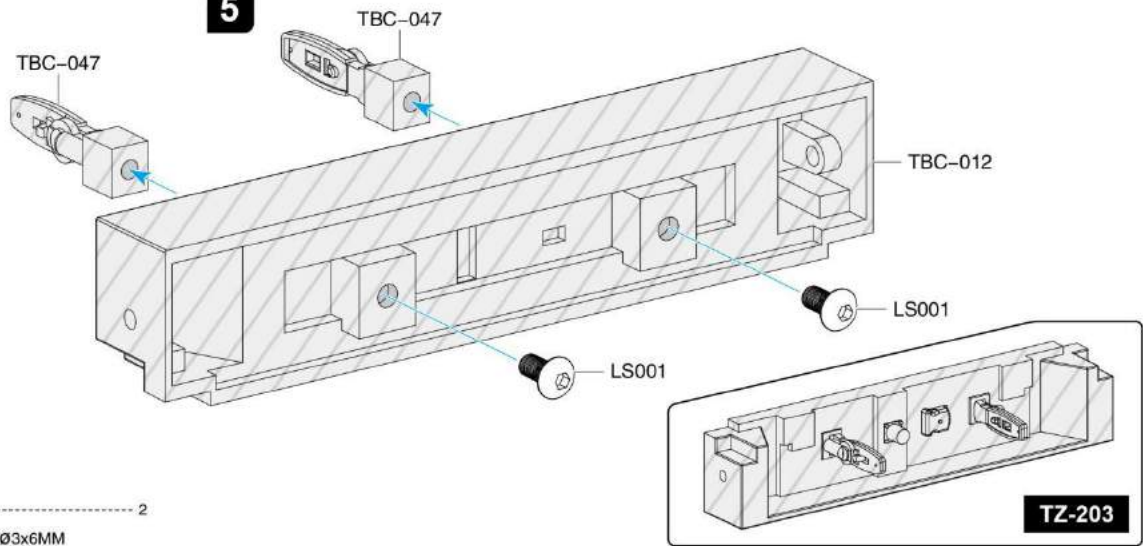


407-LS016 PB Ø2x6MM

4



5



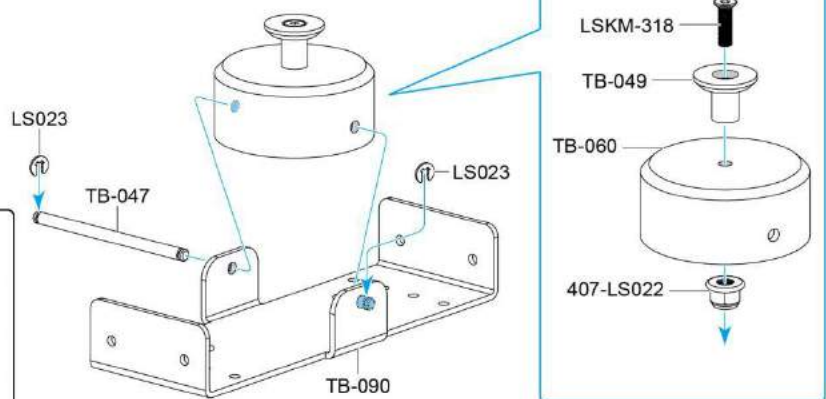
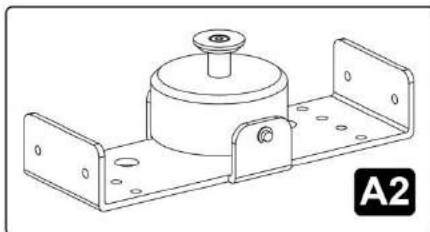
LS001 TM Ø3x6MM

LSKM-318 KM Ø3x18MM

LS023 Ø2mm

LS022 M3

6



注意
Caution

安装A1组件时，锁好螺丝的一边统一向上
When assemble Part A1, lock the side of
the screw uniformly up

P001 KM Ø3x8MM

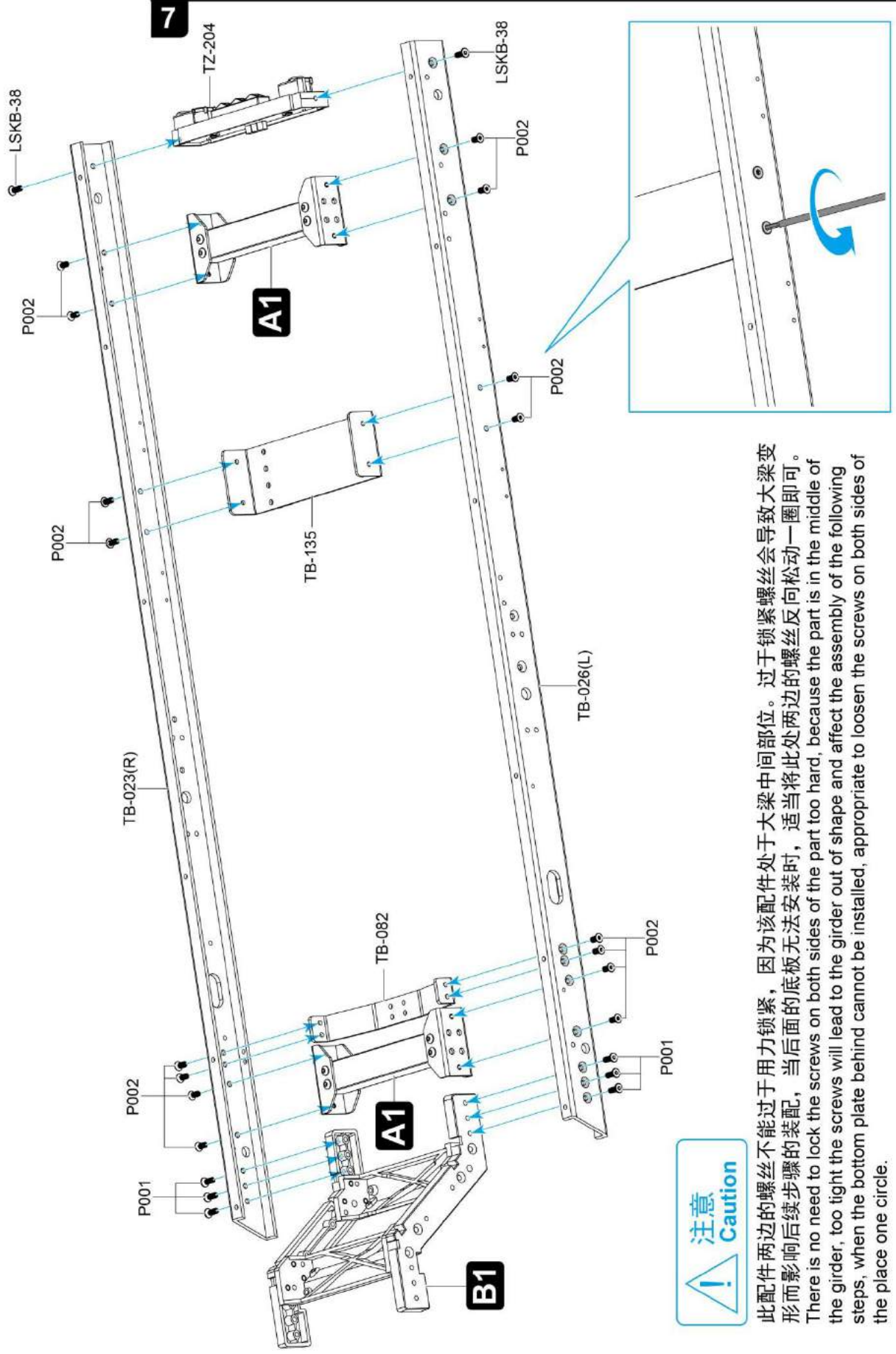
6

P002 KM Ø3x6MM

16

LSKB-38 KB Ø3x8MM

2



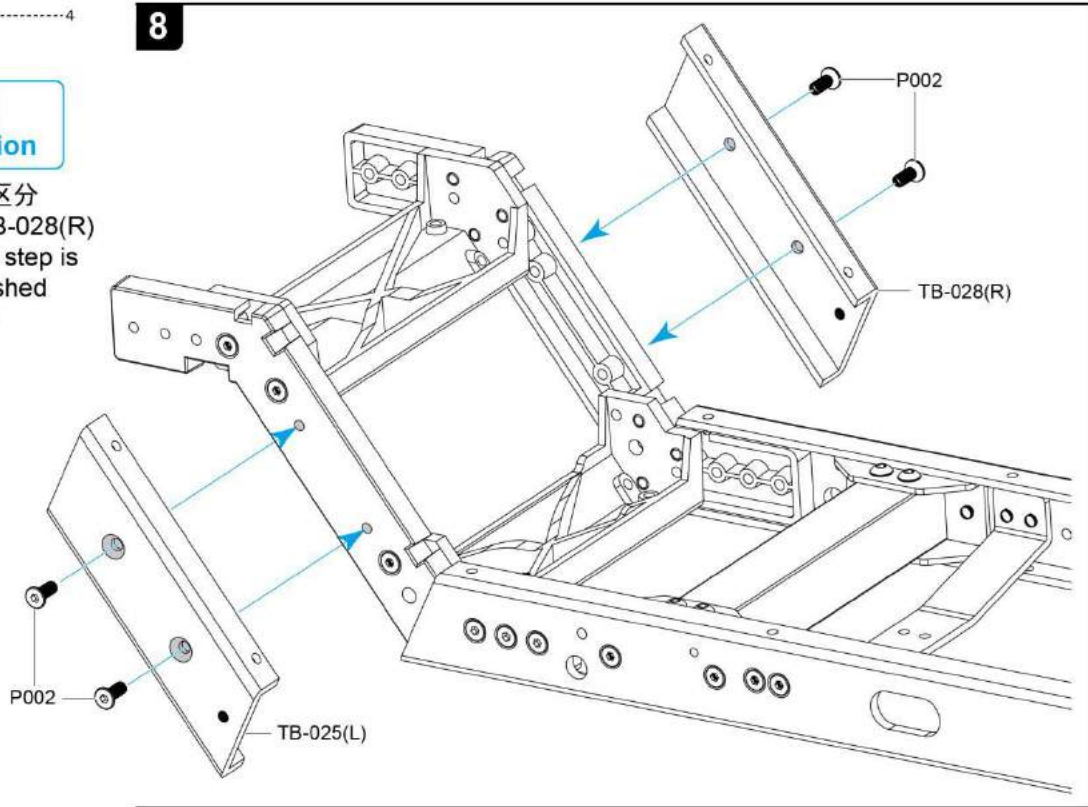
注意
Caution

此配件两边的螺丝不能过于用力锁紧，因为该配件处于大梁中间部位。过于锁紧螺丝会导致大梁变形而影响后续步骤的装配，当后面的底板无法安装时，适当将此处两边的螺丝反向松动一圈即可。
There is no need to lock the screws on both sides of the part too hard, because the part is in the middle of the girder, too tight the screws will lead to the girder out of shape and affect the assembly of the following steps, when the bottom plate behind cannot be installed, appropriate to loosen the screws on both sides of the place one circle.

④4
P002 KM Ø3x6MM



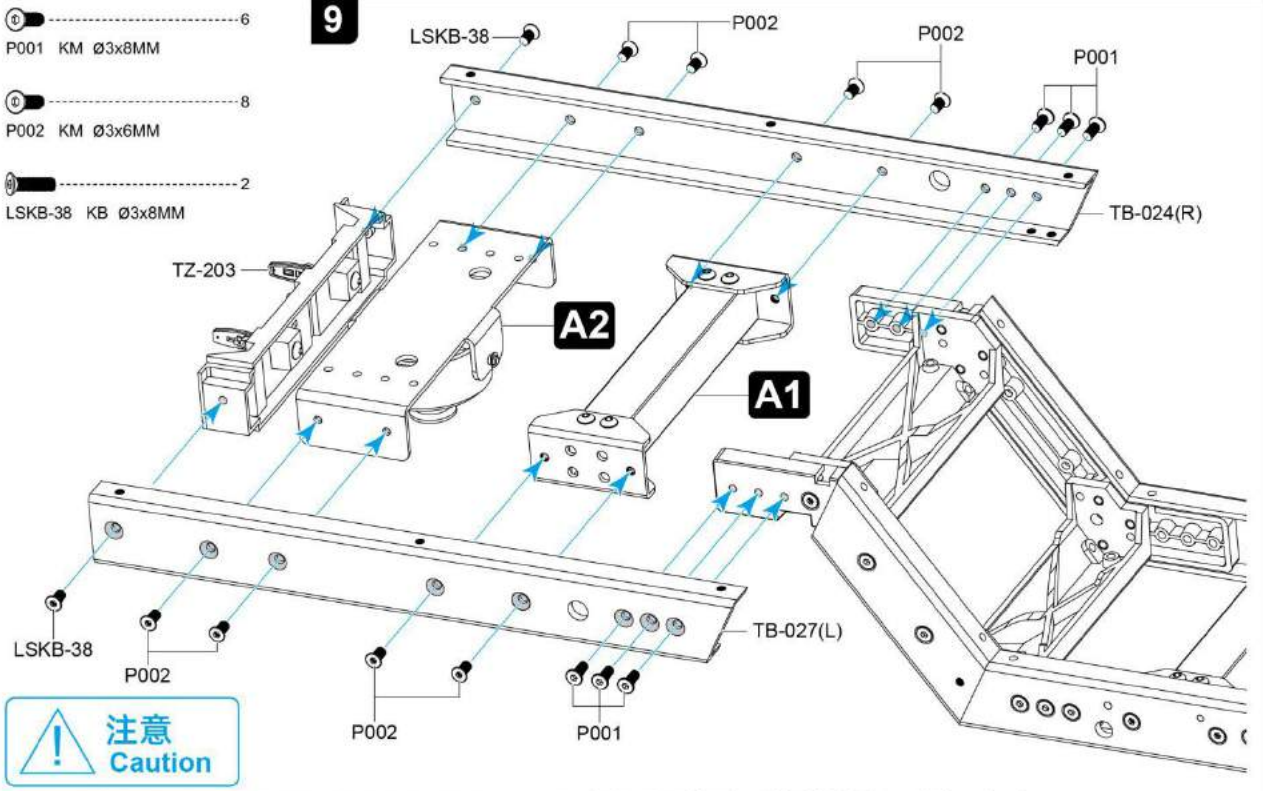
此组装步骤要区分
TB-025(L)和TB-028(R)
This assembly step is
to be distinguished
TB-025(L) and
TB-028(R)



⑤6
P001 KM Ø3x8MM

⑥8
P002 KM Ø3x6MM

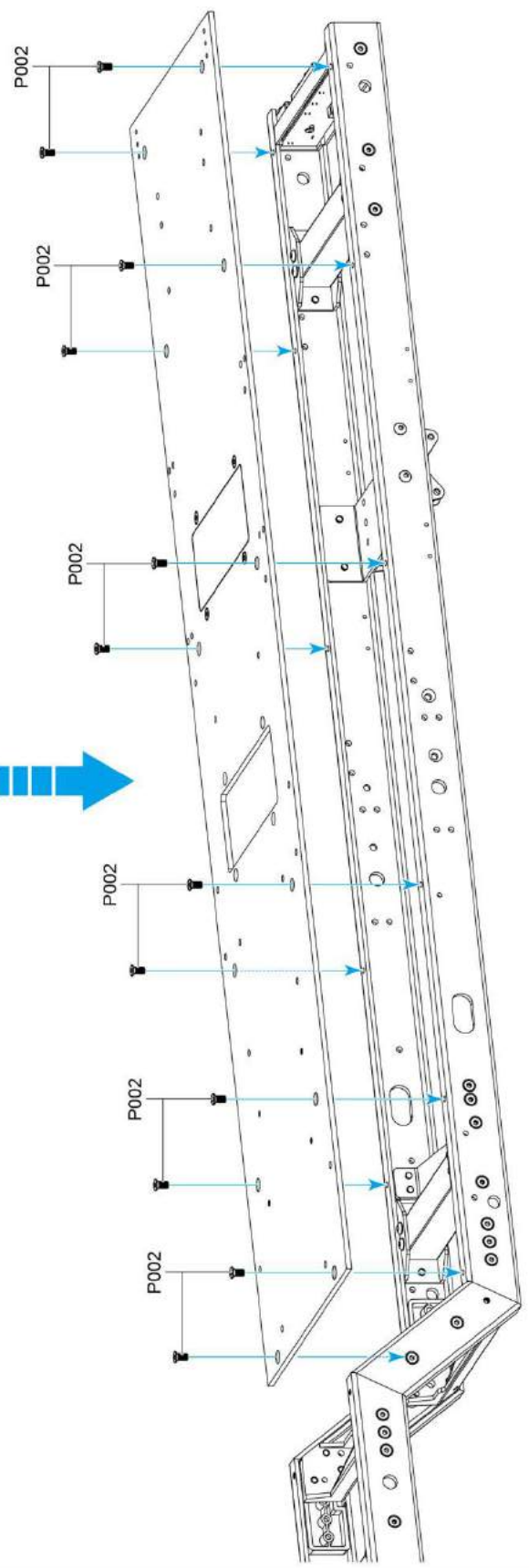
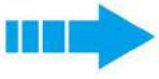
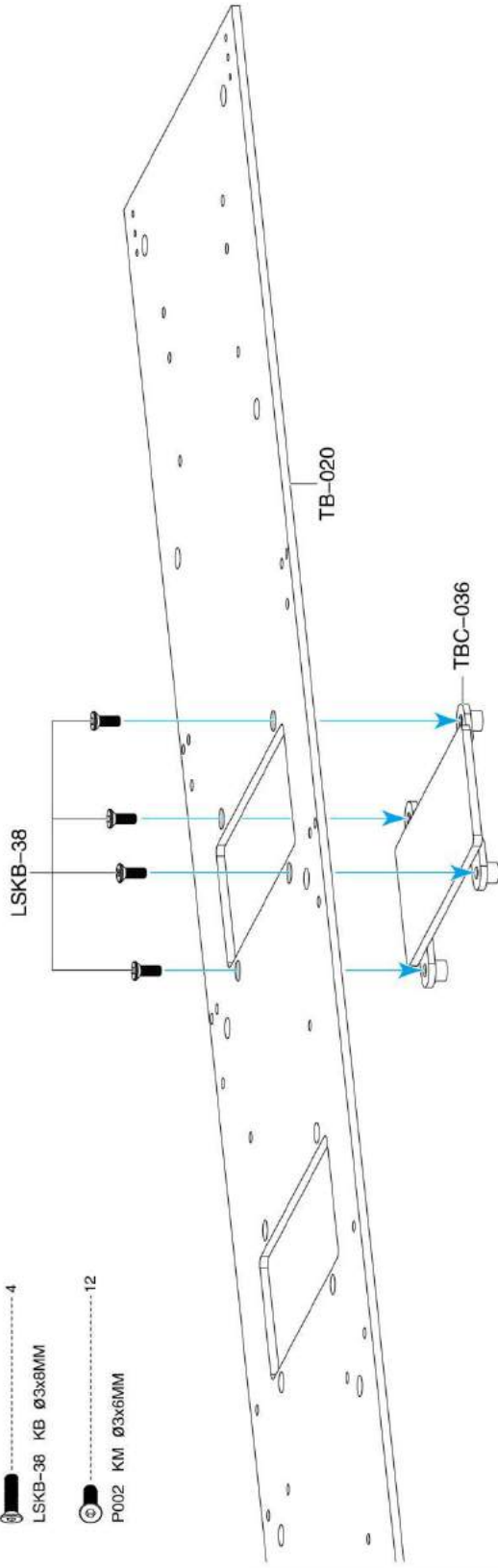
⑦2
LSKB-38 KB Ø3x8MM



1. 此组装步骤要区分TB-027(L)和TB-024(R)。
This assembly step is to be distinguished
TB-027(L) and TB-024(R)

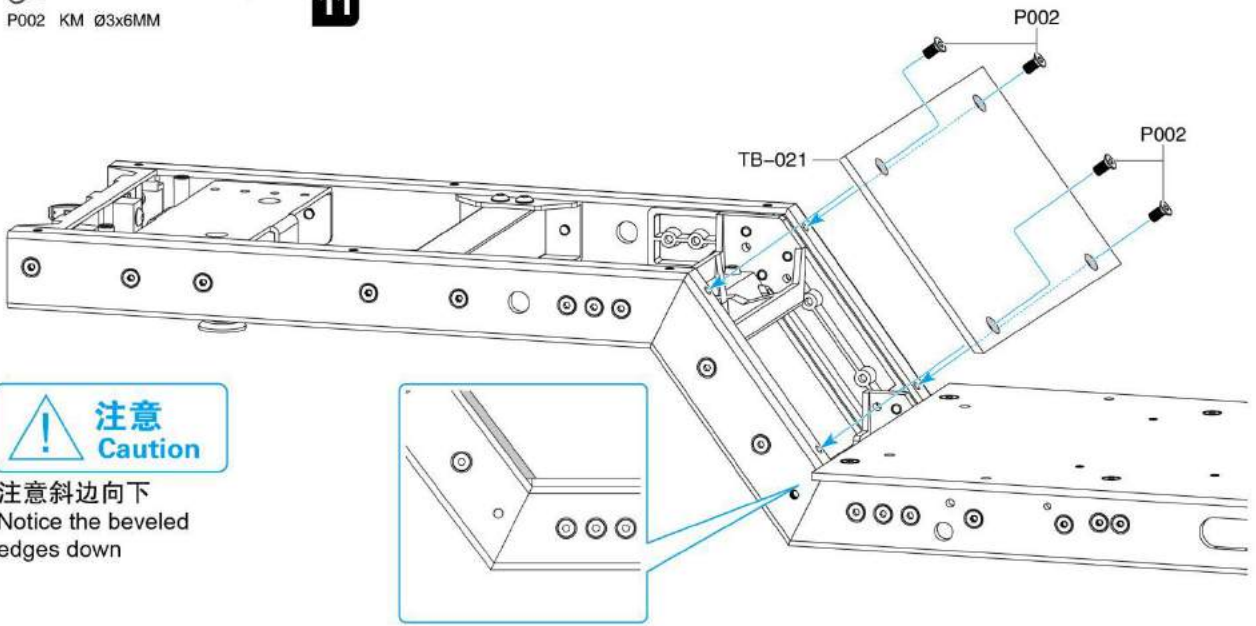
2. 安装A1组件时, 锁好螺丝的一边统一向上。
When assemble part A1, lock the side of the
screw uniformly up.

- LSKB-38 KB Ø3x8MM
- P002 KM Ø3x6MM



④ 4
P002 KM Ø3x6MM

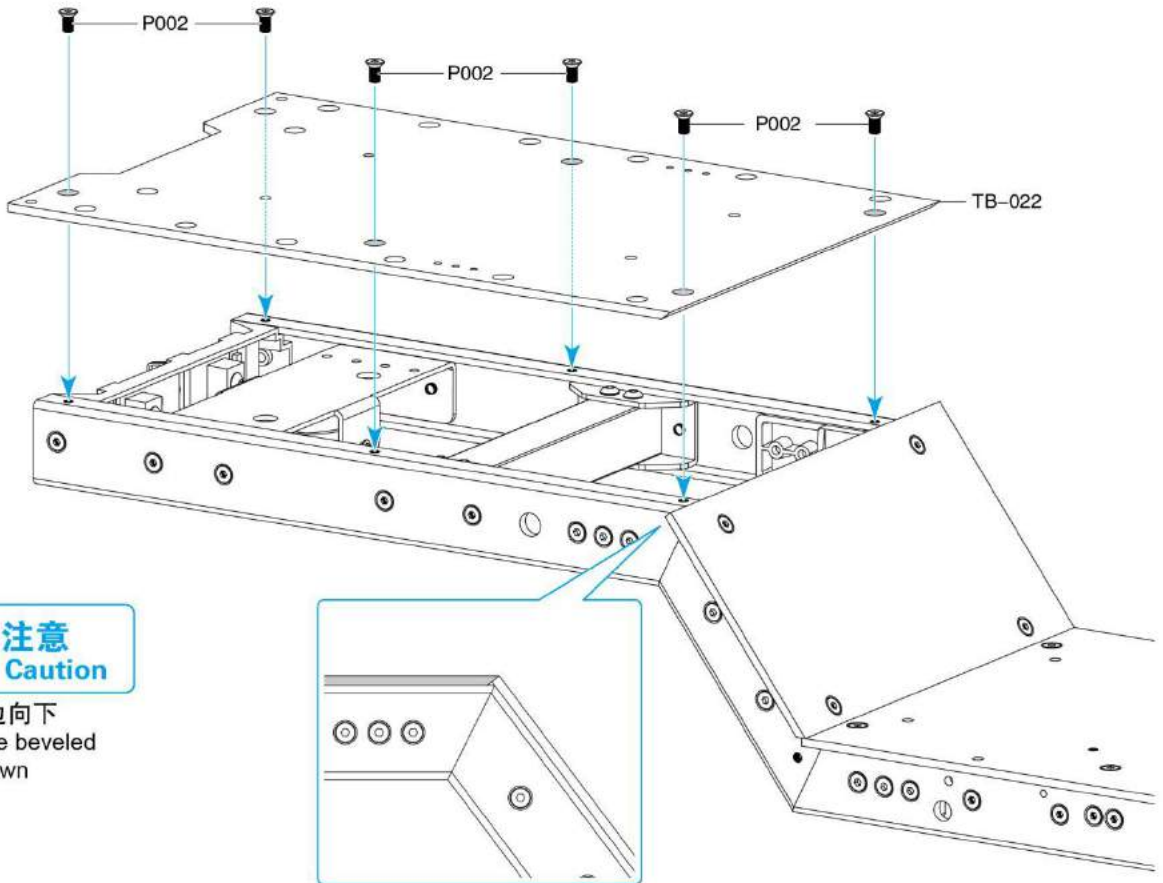
11





注意
Notice the beveled
edges down

⑤ 6
P002 KM Ø3x6MM

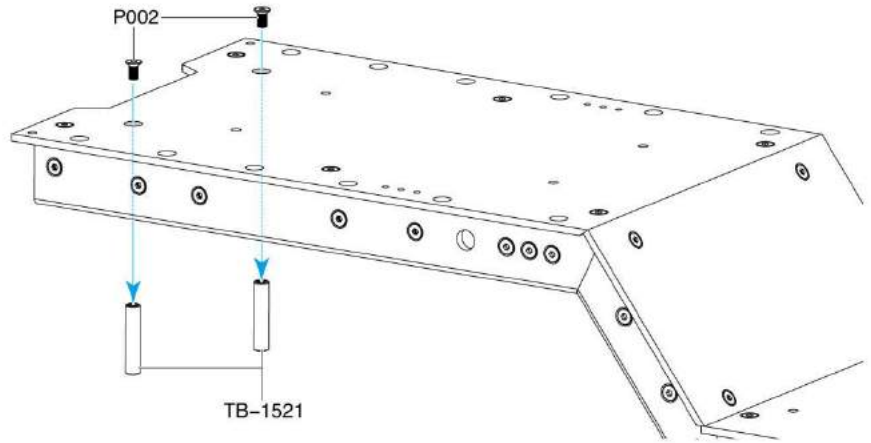
12



注意
Notice the beveled
edges down

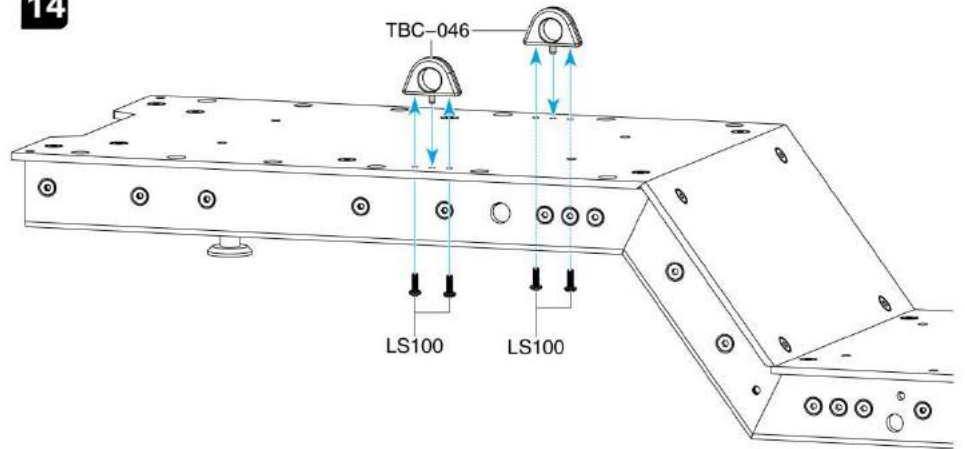
-  2
P002 KM Ø3x6MM
-  2
TB-1521 Ø5x23.5MM


13



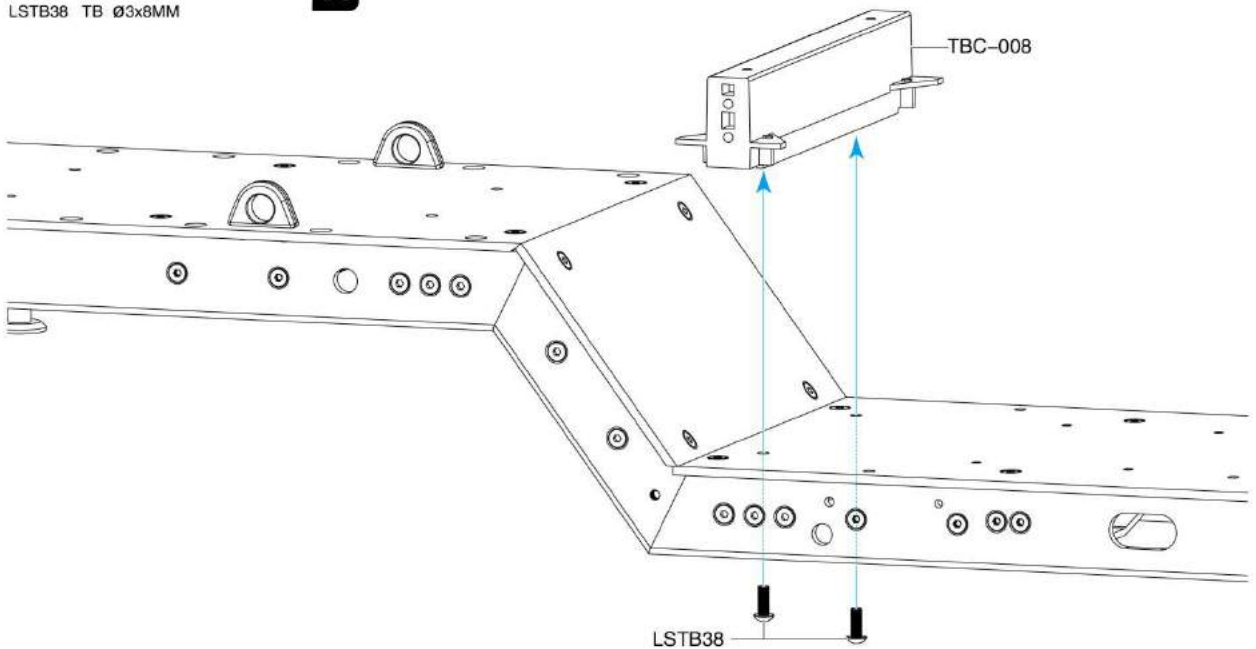
-  4
LS100 TM Ø2x6MM

14

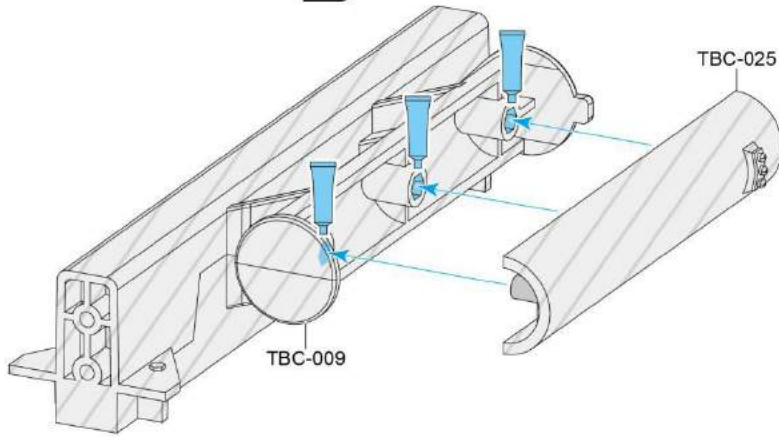


-  2
LSTB38 TB Ø3x8MM

15

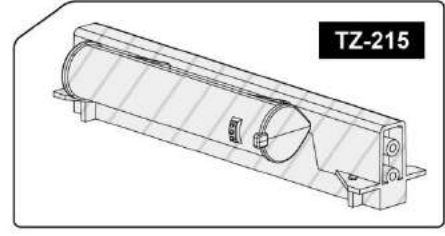


16



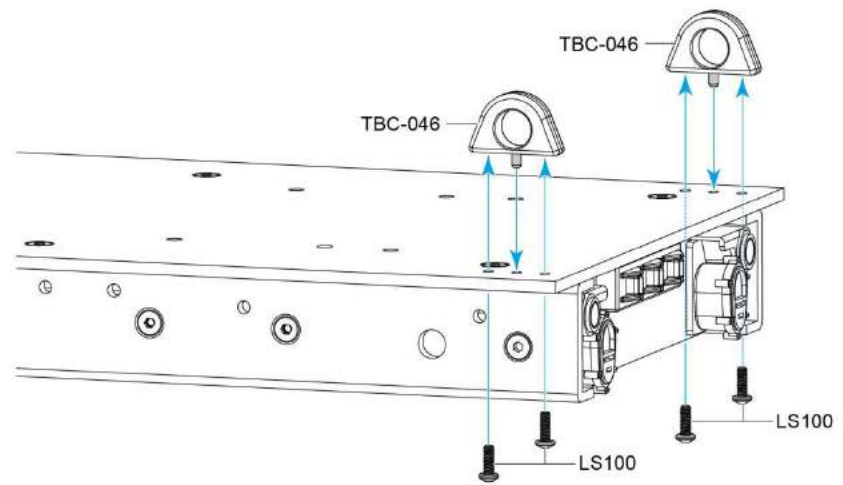
注意
Caution

此配件出厂时已组装完成，组装图只是提供组装过程。
This accessory was assembled at the factory, and the assembly diagram simply provides the assembly process.



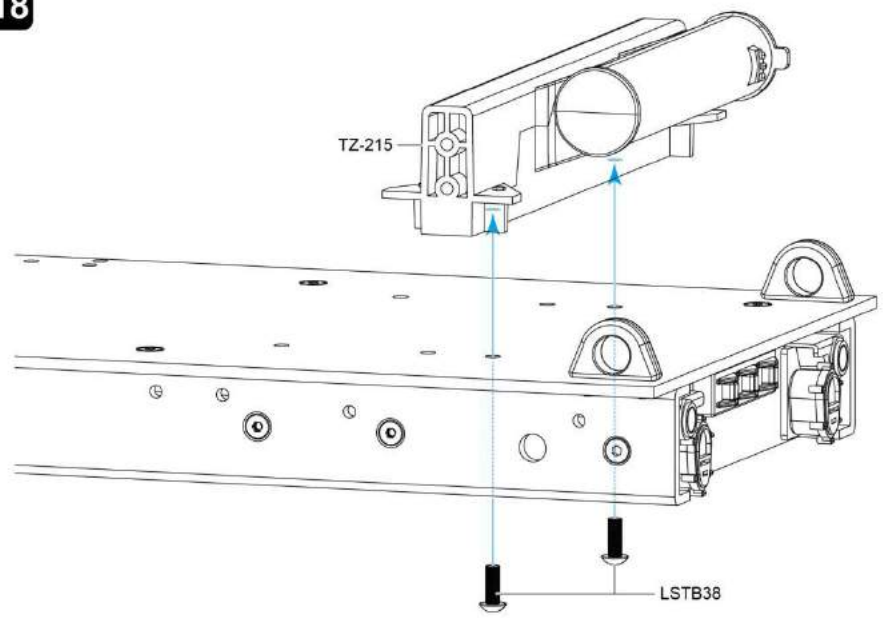
4
LS100 TM $\varnothing 2 \times 6 \text{MM}$

17



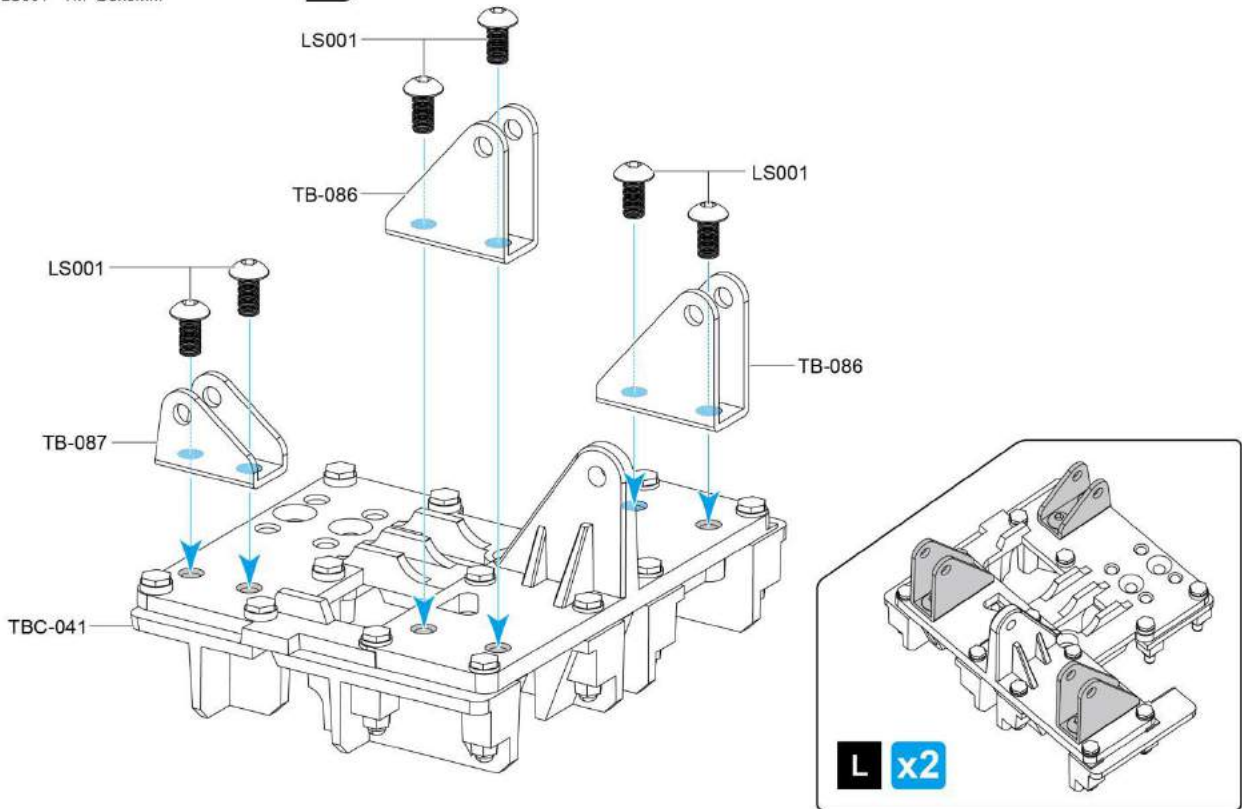
2
LSTB38 TB $\varnothing 3 \times 8 \text{MM}$

18



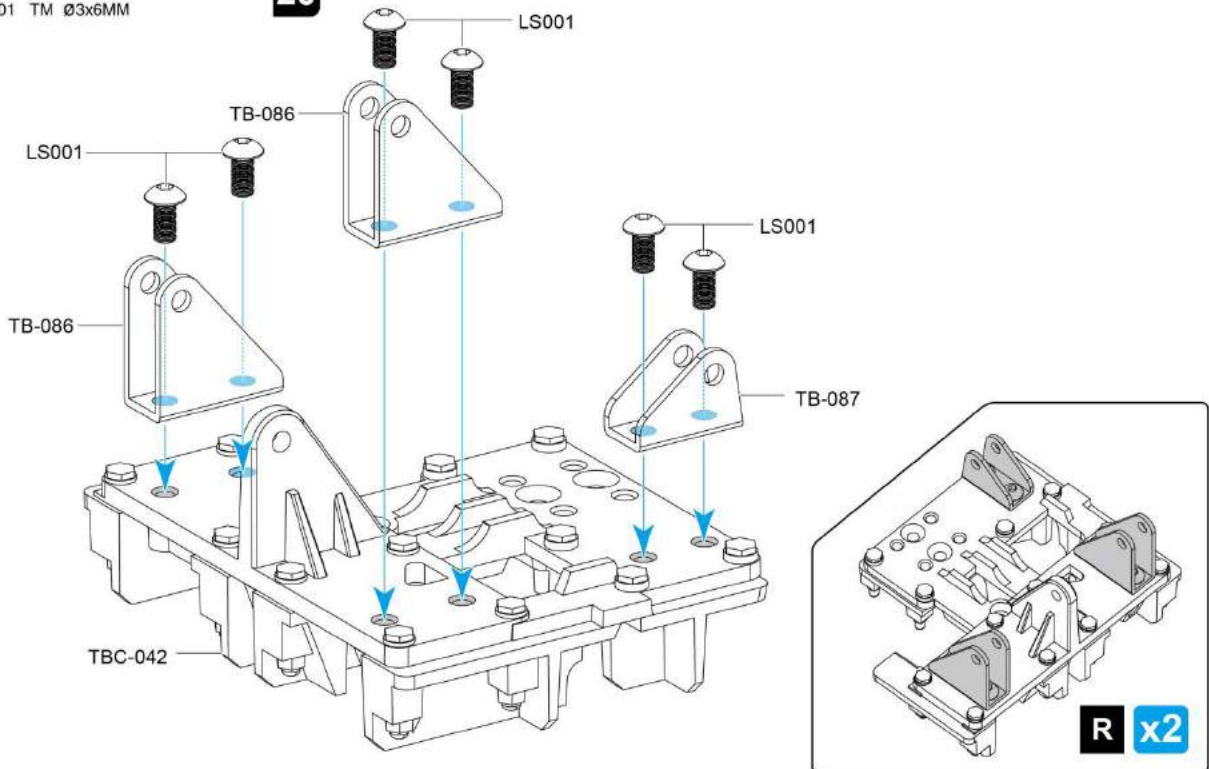
LS001 TM Ø3x6MM

19



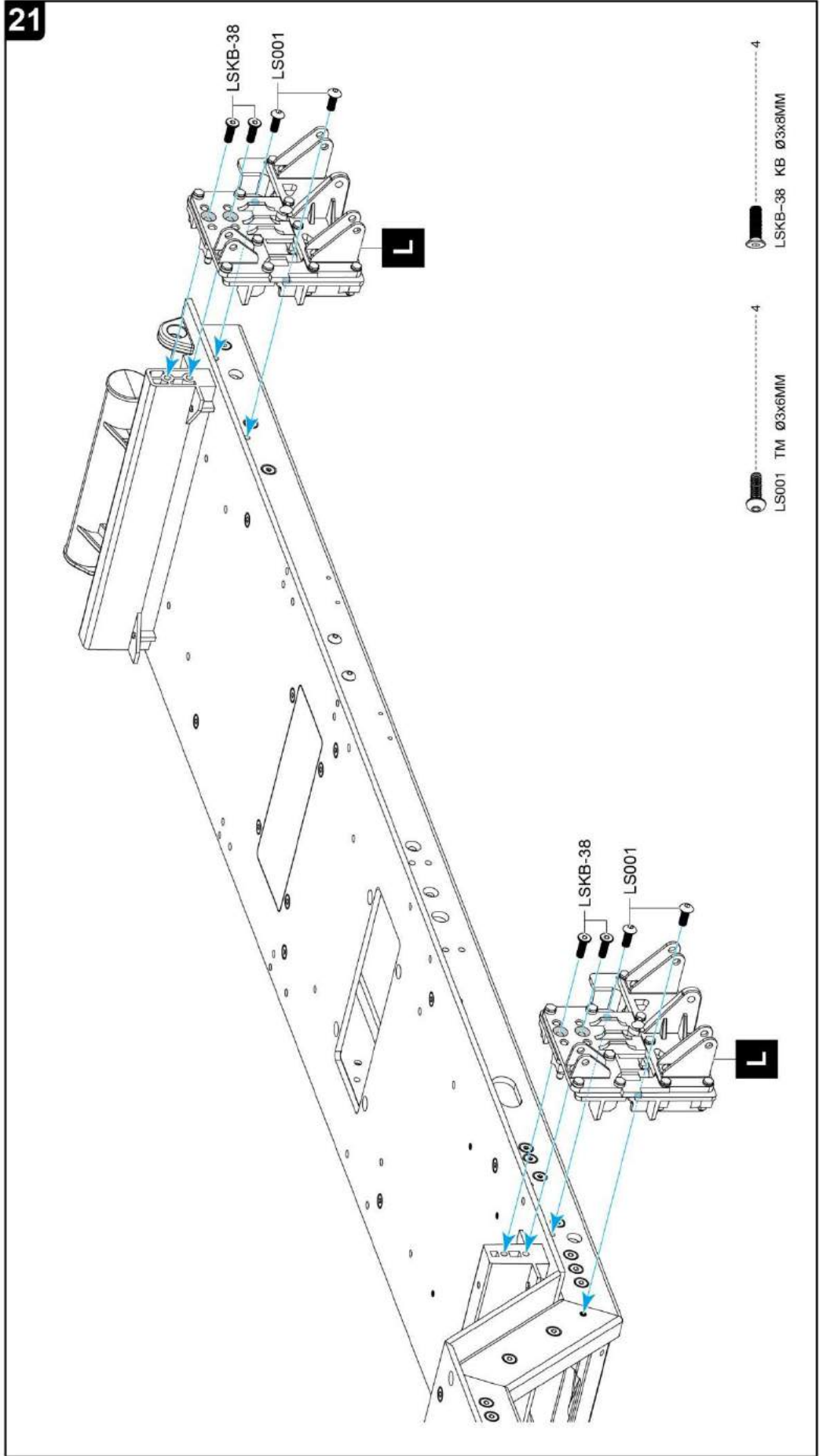
LS001 TM Ø3x6MM

20



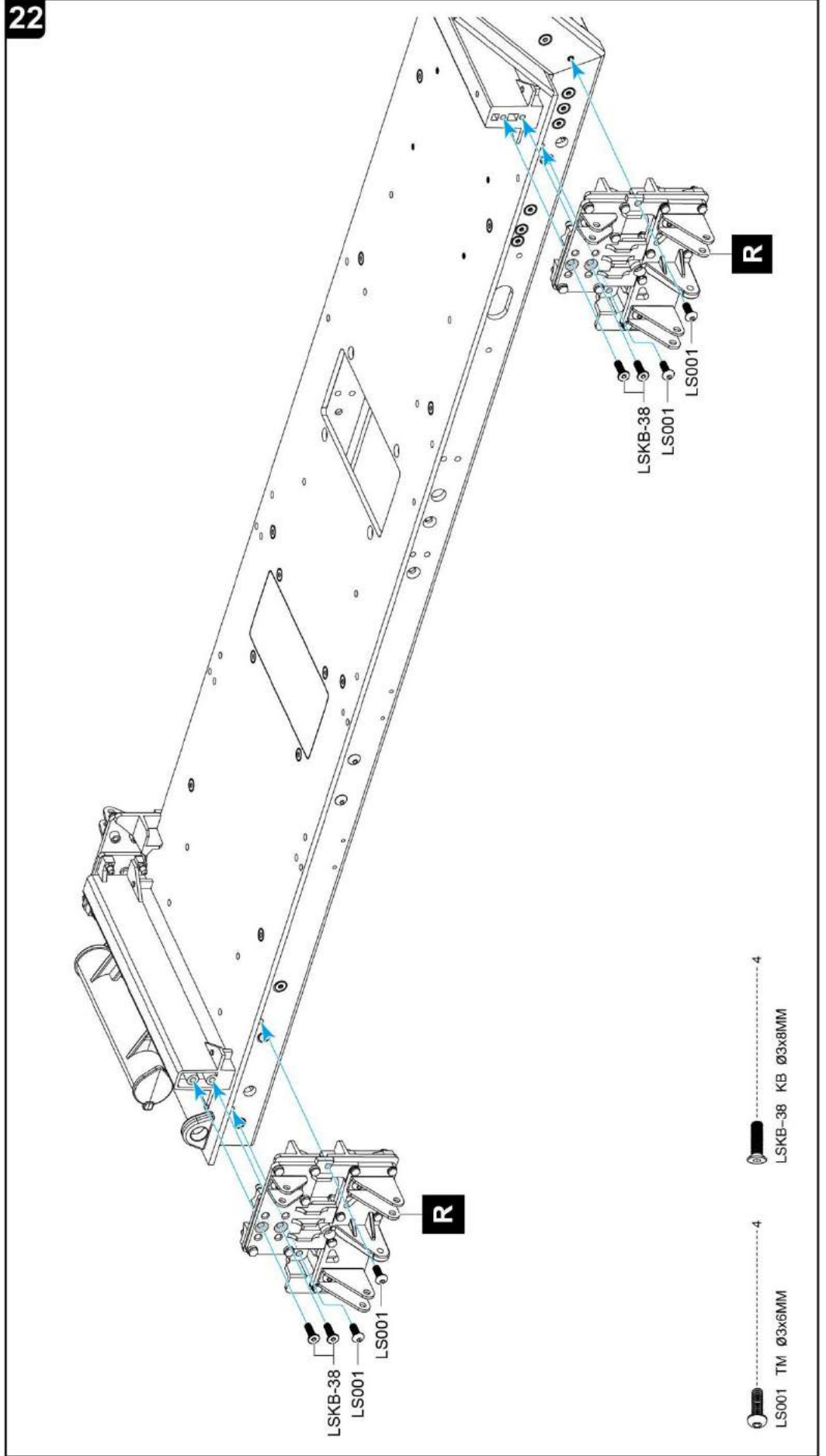


此处配件安装需注意区分 **L** 和 **R**，以及前后安装方向。
The installation of accessories here requires a distinction between **L** and **R**, as well as the direction of the front and rear installations.



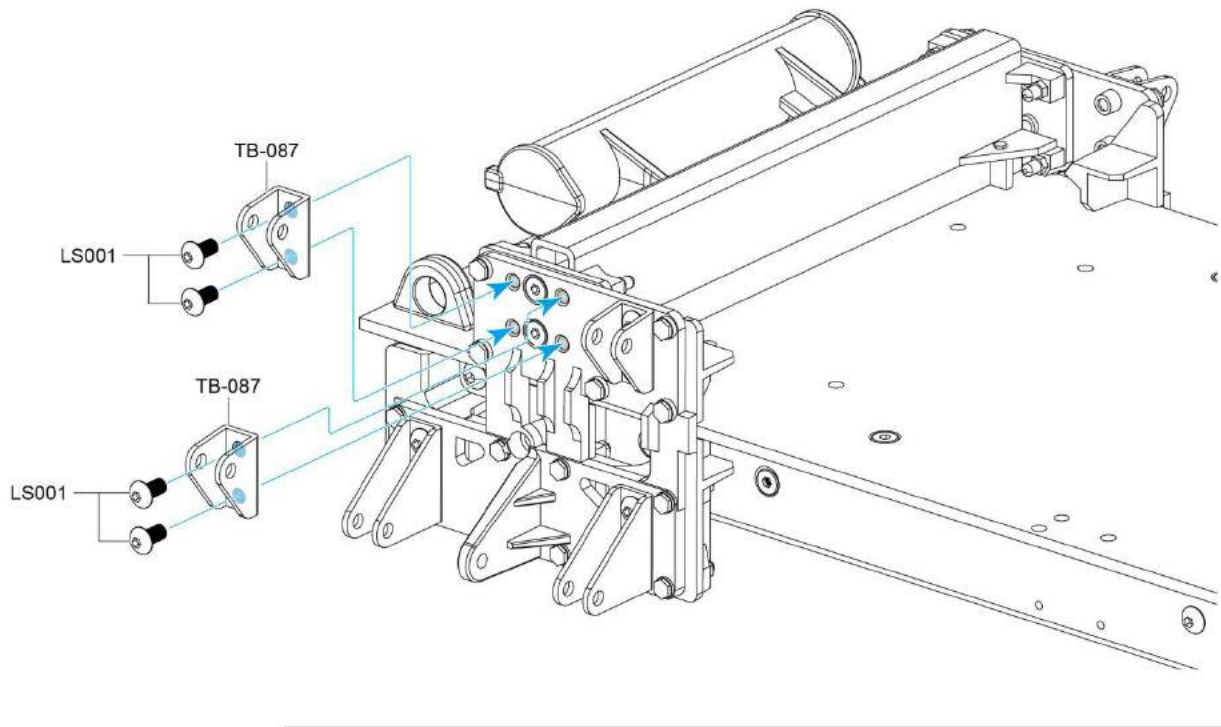


此处配件安装需注意区分 **L** 和 **R**。
The installation of accessories here requires a distinction between **L** and **R**.

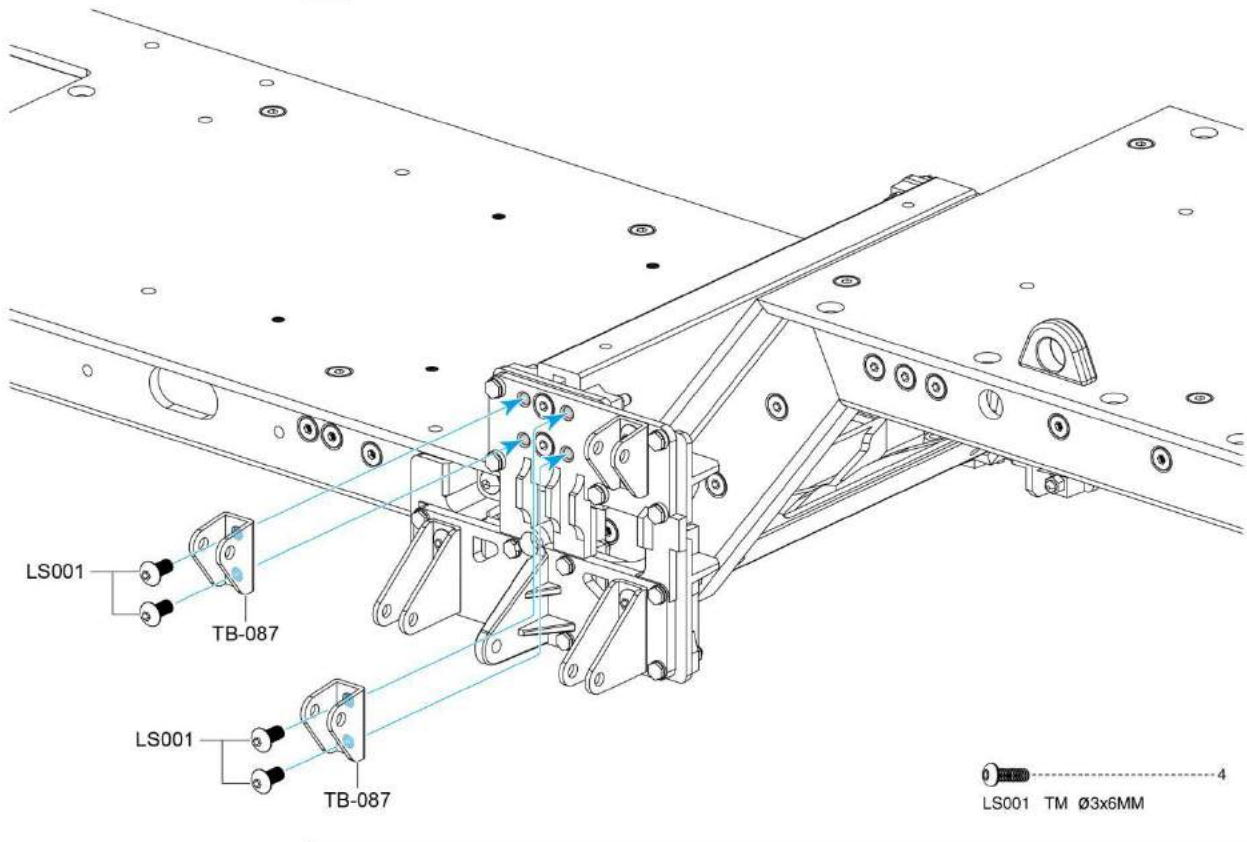


LS001 TM Ø3x6MM

23



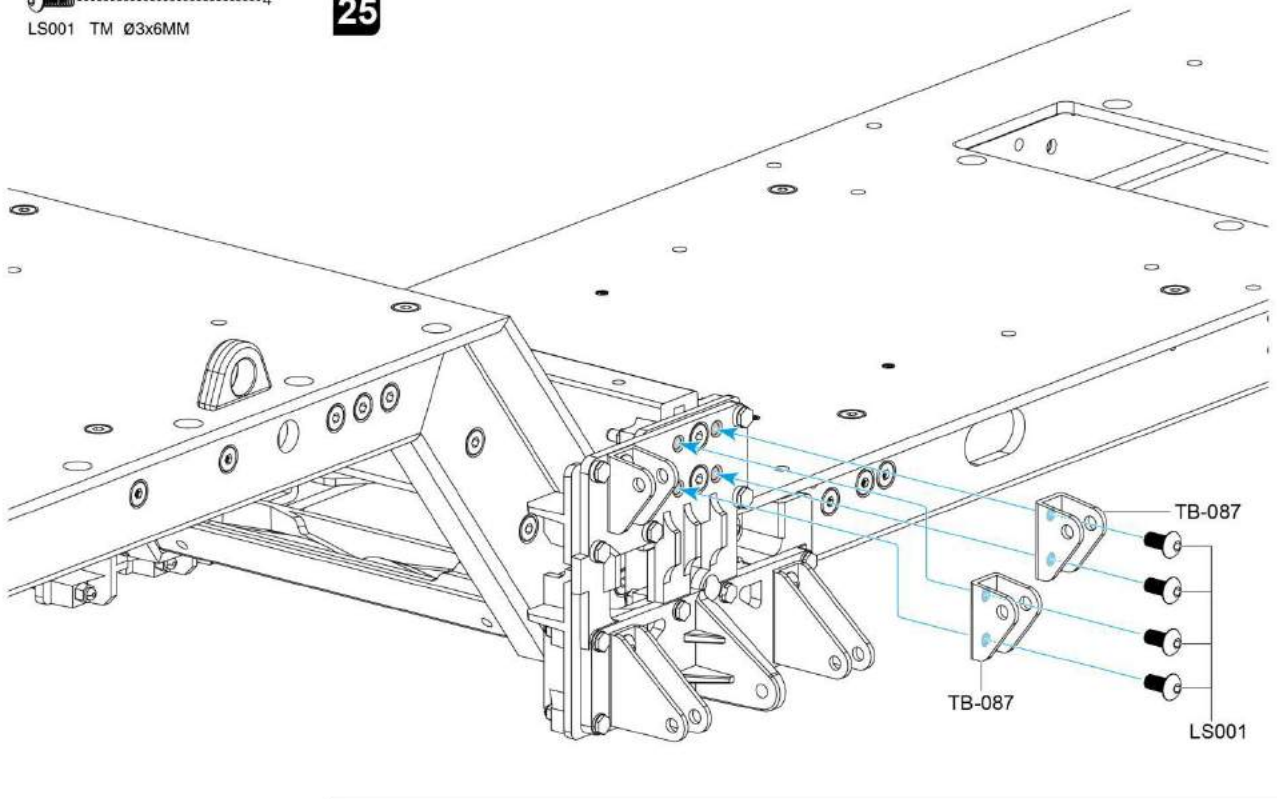
24



LS001 TM Ø3x6MM

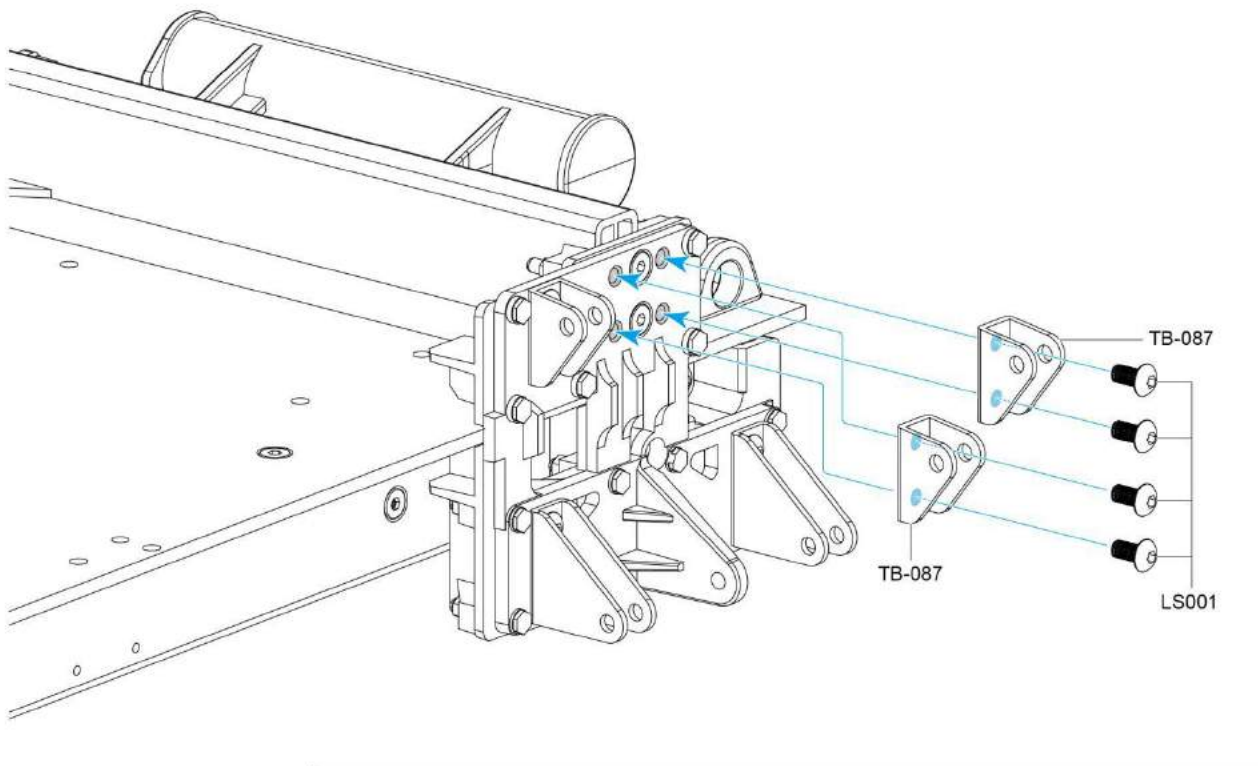
LS001 TM Ø3x6MM

25



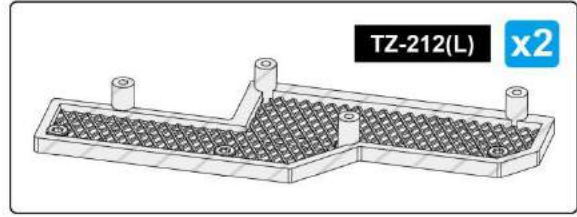
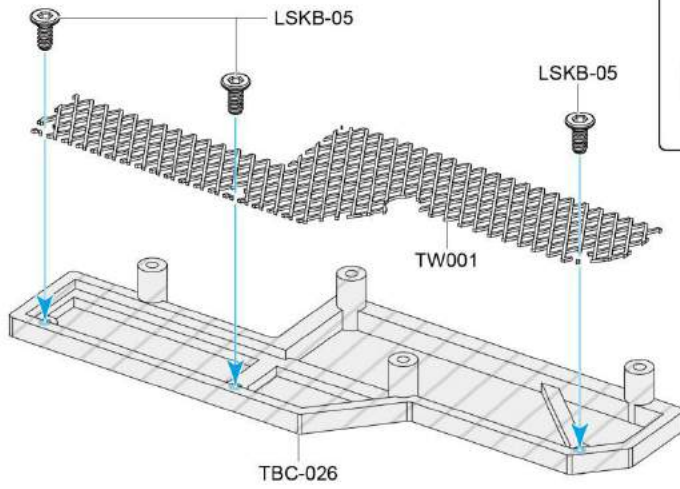
26

LS001 TM Ø3x6MM



LSKB-05 KB Ø2x5MM

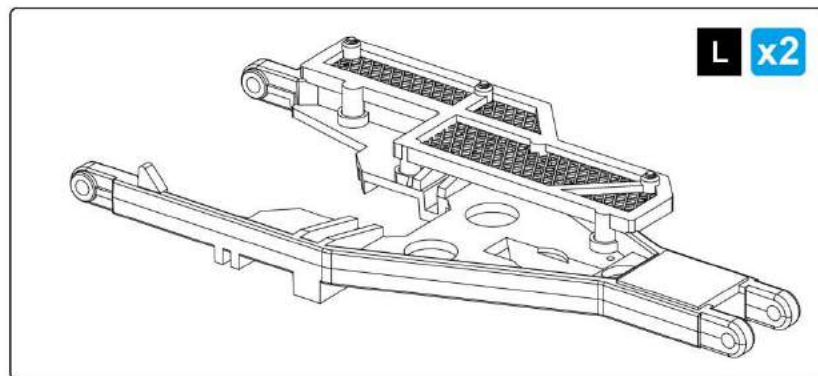
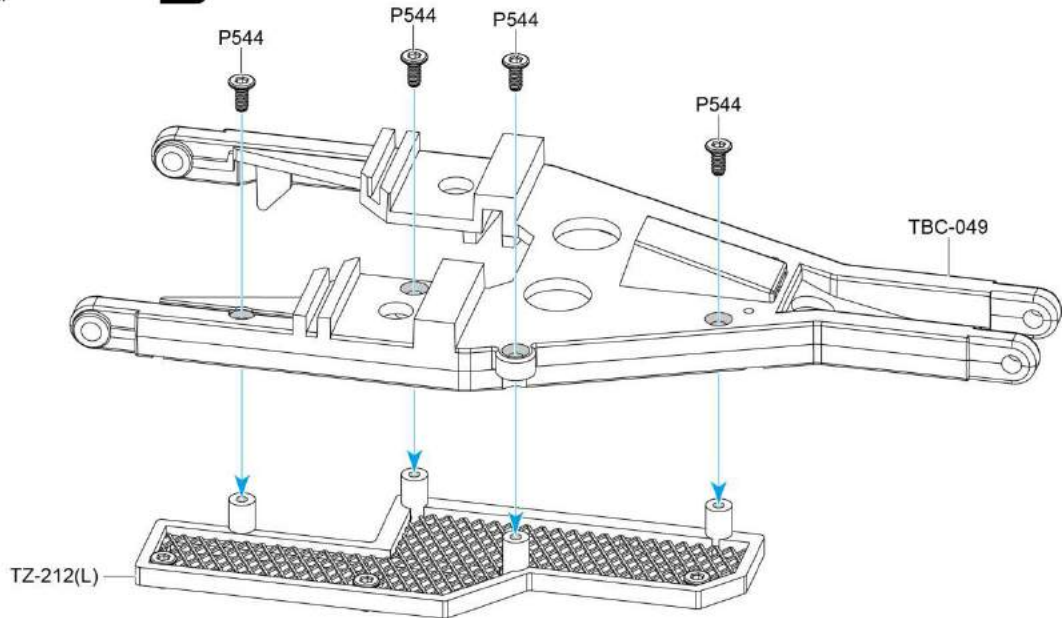
27






此配件出厂时已组装完成，组装图只是提供组装过程。
This accessory was assembled at the factory, and the assembly diagram simply provides the assembly process.

P544 KB Ø2x6MM

28

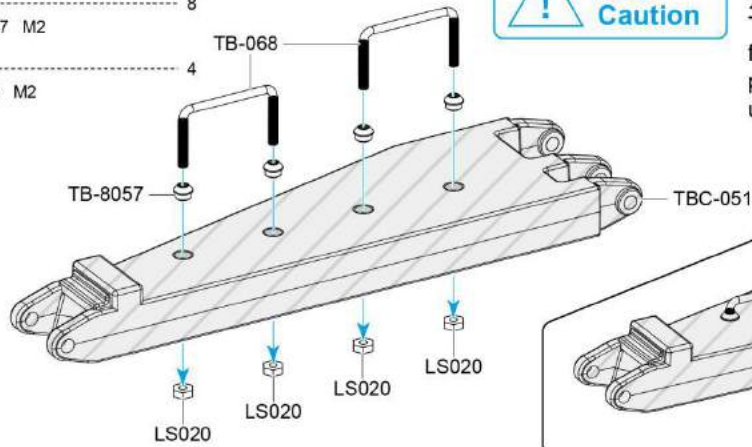


-  8
LS020 M2
-  8
TB-8057 M2
-  4
TB-068 M2

29

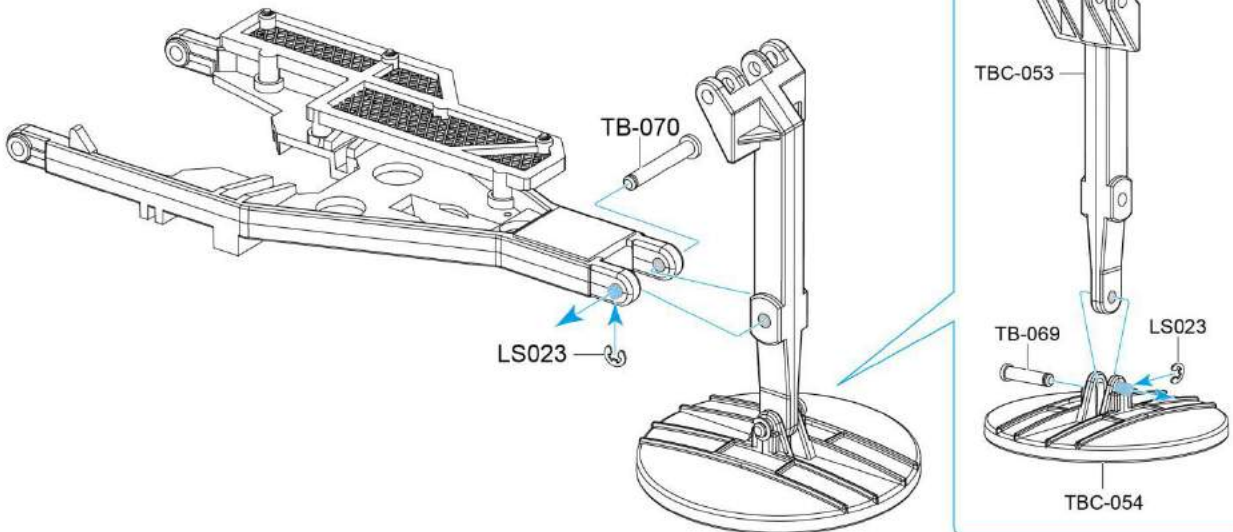


此配件出厂时已组装完成，组装图只是提供组装过程，可用于维护配件。
This accessory was assembled at the factory, and the assembly diagram simply provides the assembly process, can be used to maintain accessories.

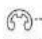

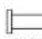


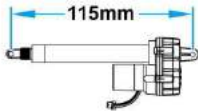
TZ-051(L) x2

30



L x2

-  4
LS023 Ø2mm
-  2
TB-069 14mm
-  2
TB-070 3x22mm

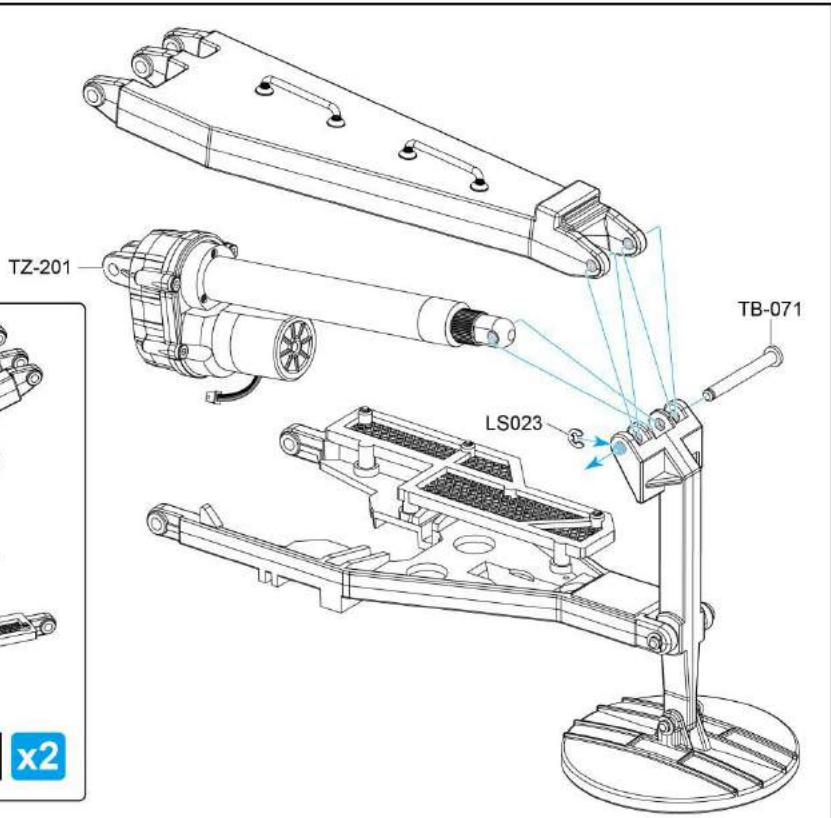
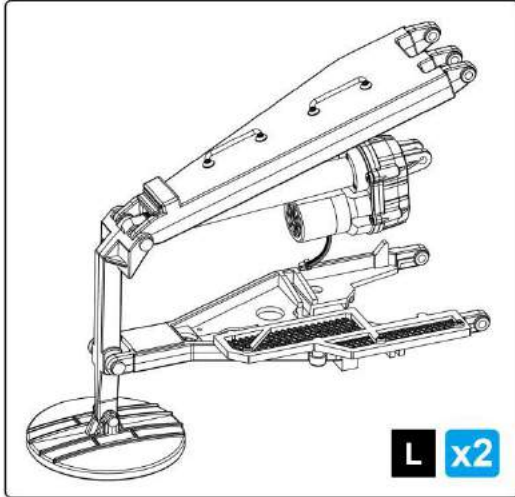


31

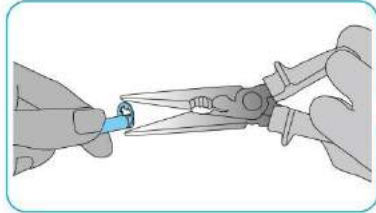
TZ-201 $\varnothing 115\text{mm}$ 2

LS023 $\varnothing 2\text{mm}$ 2

TB-071 $\varnothing 3 \times 28\text{mm}$ 2



32 左前支撑脚的安装1 Left front supporting leg installation 1



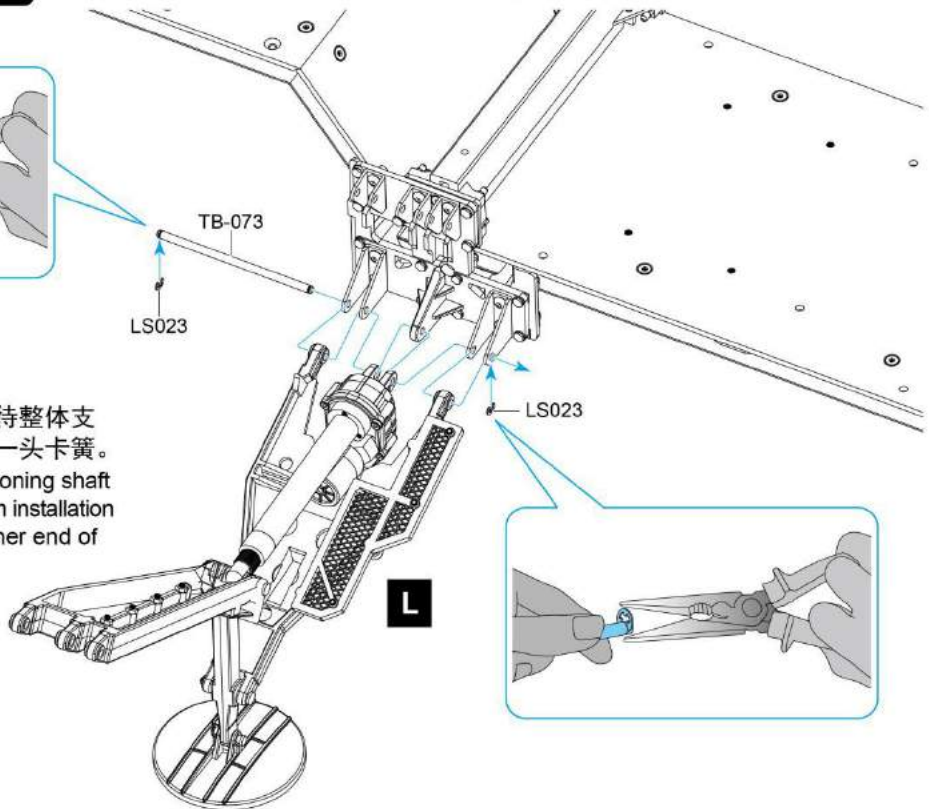
注意
Caution

先将卡簧卡住定位轴一头，待整体支撑臂安装无误后，再来卡另一头卡簧。
First the reed stuck in the positioning shaft head, until the overall support arm installation is correct, and then card the other end of the reed.

LS023 $\varnothing 2\text{mm}$ 2



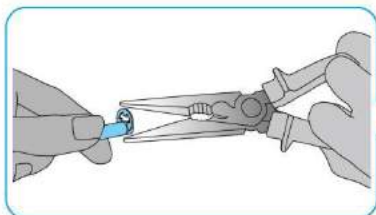
TB-073 $\varnothing 3 \times 67.5\text{mm}$ 1



LS023 \varnothing 2mm

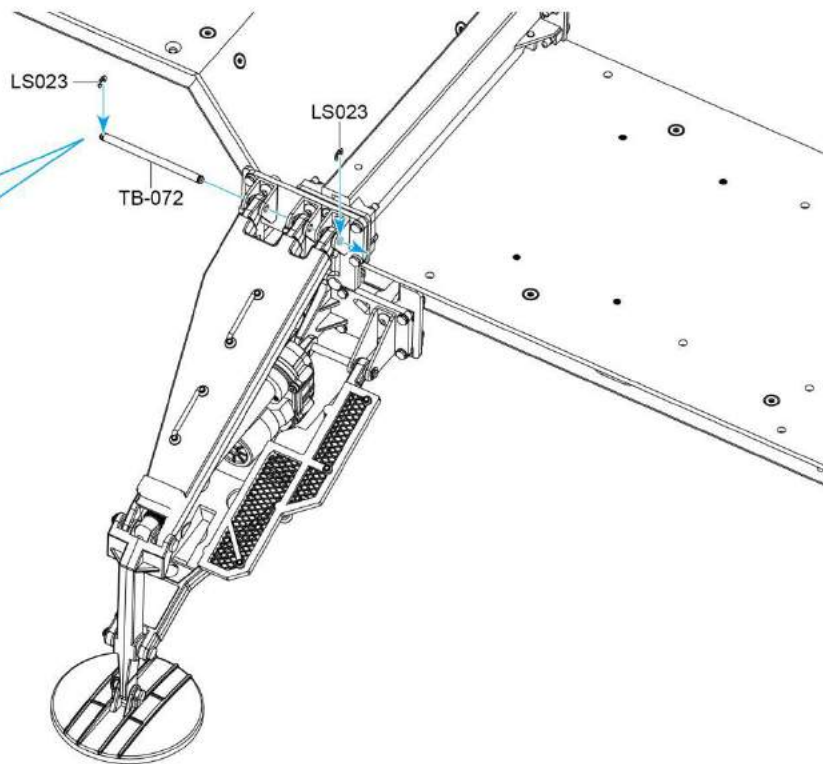
TB-072 3x45.5mm

33 左前支撑脚的安装2 Left front supporting leg installation 2

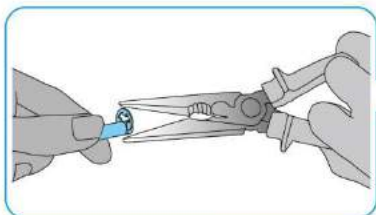


先将卡簧卡住定位轴一头，待整体支撑臂安装无误后，再来卡另一头卡簧。

First the reed stuck in the positioning shaft head, until the overall support arm installation is correct, and then card the other end of the reed.



34 左后支撑脚的安装1 Left rear supporting leg installation 1

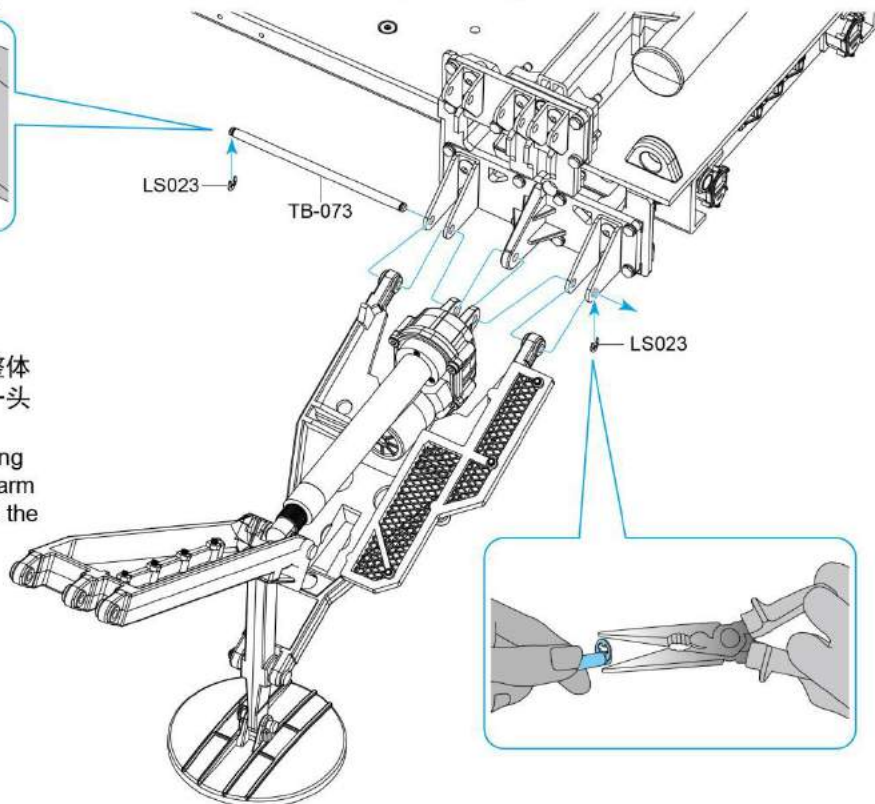


先将卡簧卡住定位轴一头，待整体支撑臂安装无误后，再来卡另一头卡簧。

First the reed stuck in the positioning shaft head, until the overall support arm installation is correct, and then card the other end of the reed.

LS023 \varnothing 2mm

TB-073 3x67.5mm

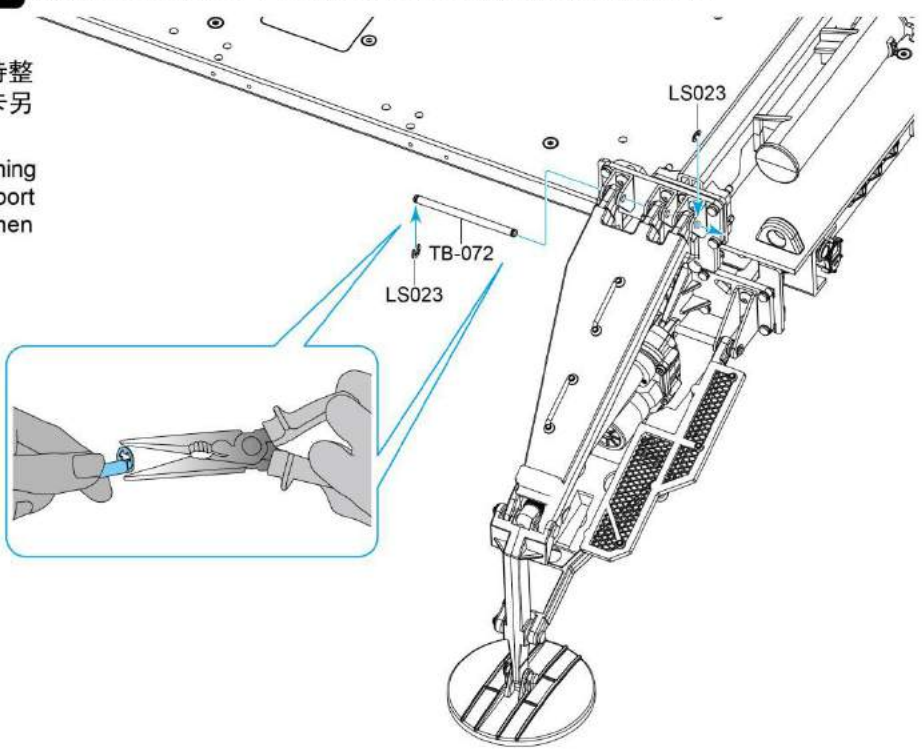




35 左后支撑脚的安裝2 Left rear supporting leg installation 2

先将卡簧卡住定位轴一头，待整体支撑臂安装无误后，再来卡另一头卡簧。

First the card spring stuck in the positioning shaft head, until the overall support arm installation is correct, and then card the other end of the card.

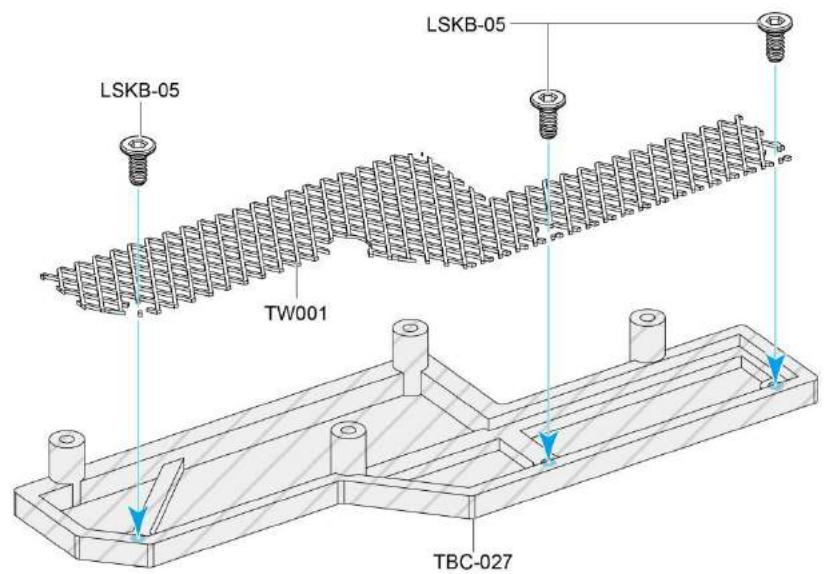


LS023 Ø2mm

TB-072 3x45.5mm

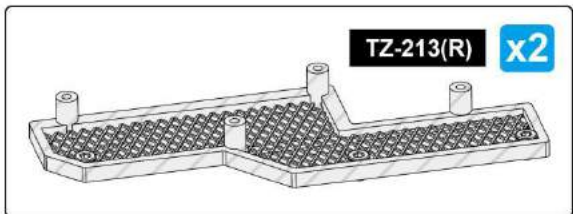
LSKB-05 KB Ø2x5MM

36



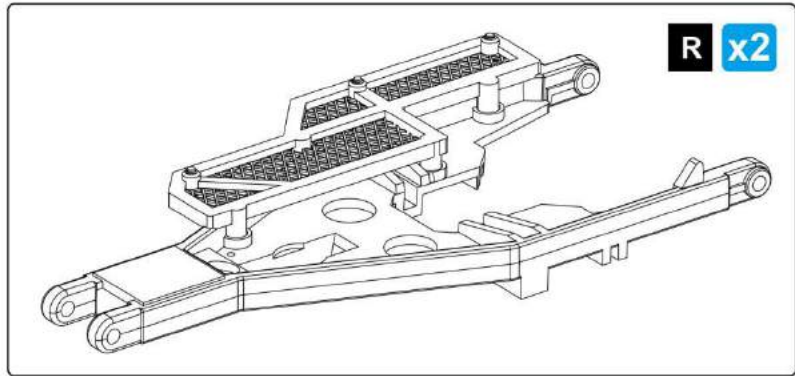
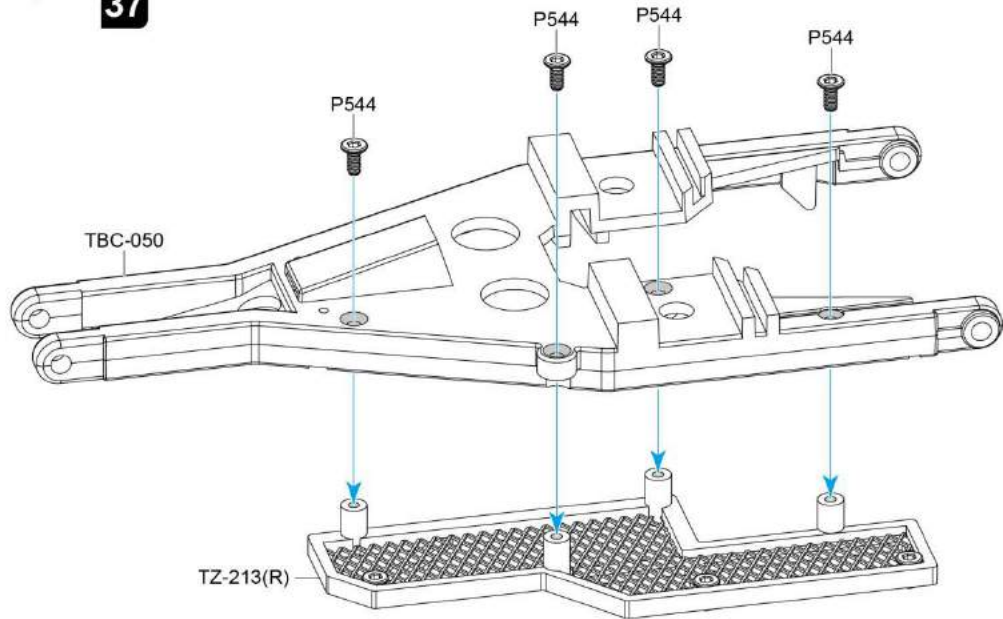
此配件出厂时已组装完成，组装图只是提供组装过程，可用于维护配件。

This accessory was assembled at the factory, and the assembly diagram simply provides the assembly process, can be used to maintain accessories.



P544 KB Ø2x6MM 8

37



38

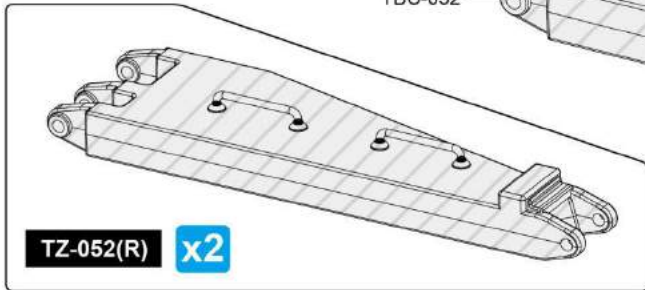
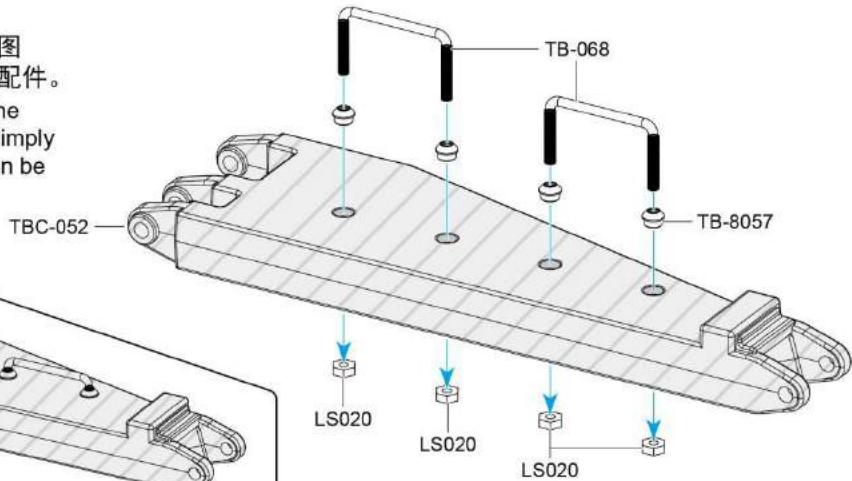
LS020 M2 8

TB-8057 M2 8

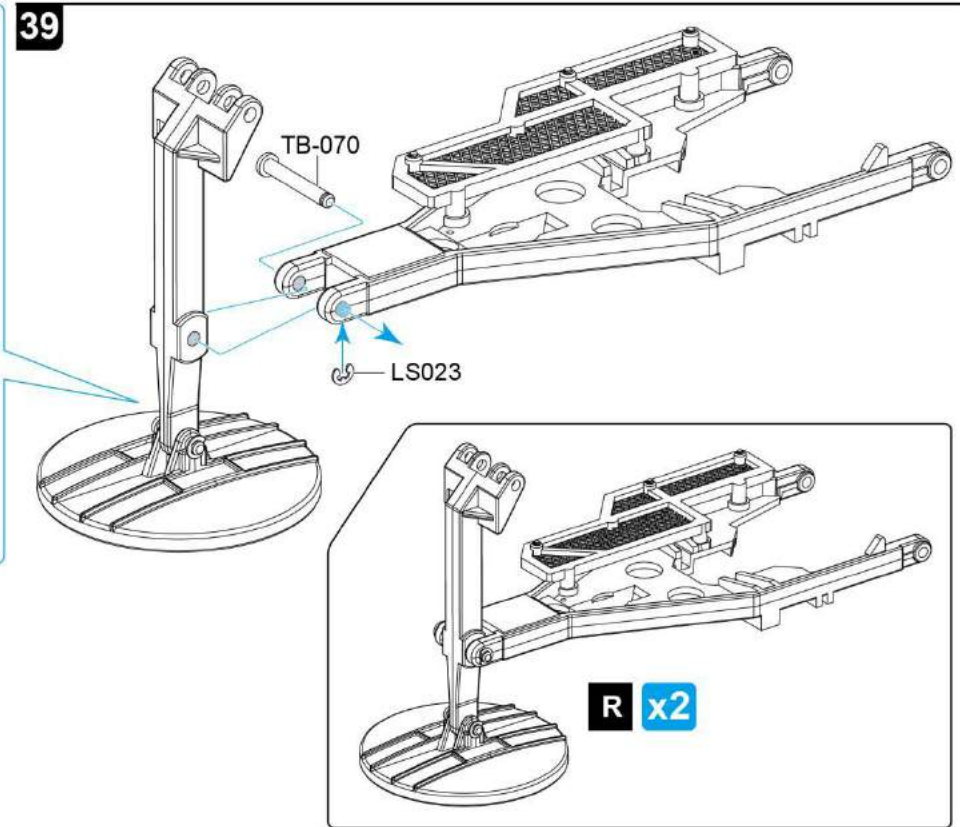
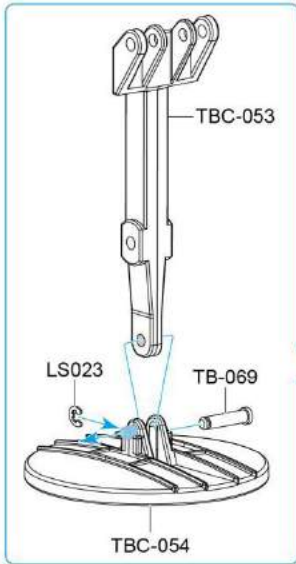
TB-068 M2 4



此配件出厂时已组装完成，组装图只是提供组装过程，可用于维护配件。
This accessory was assembled at the factory, and the assembly diagram simply provides the assembly process, can be used to maintain accessories.



39

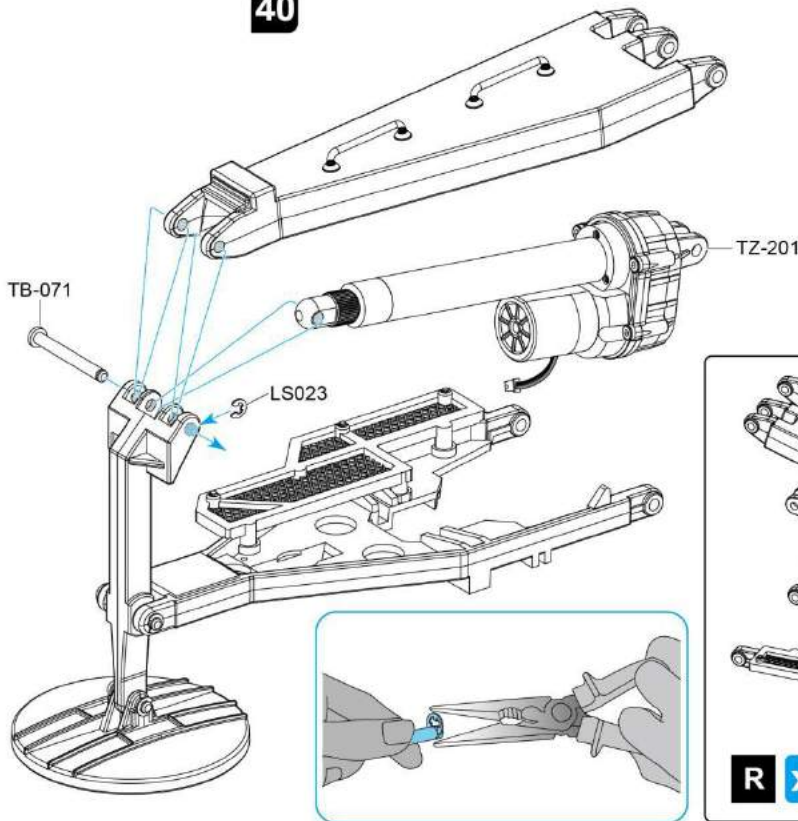


-----4
 LS023 Ø2mm

-----2
 TB-069 Ø3x14mm

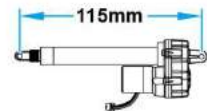
-----2
 TB-070 Ø3x22mm

40

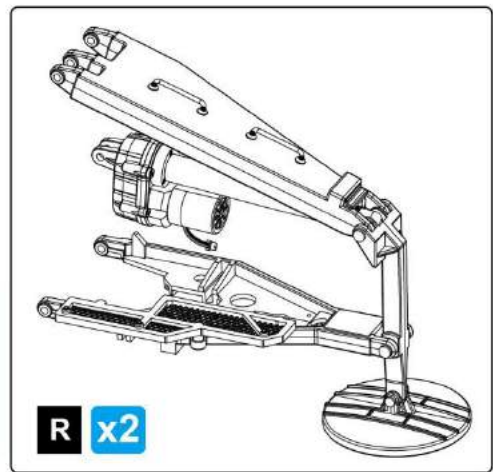





-----2
 LS023 Ø2mm

-----2
 TB-071 Ø3x28mm

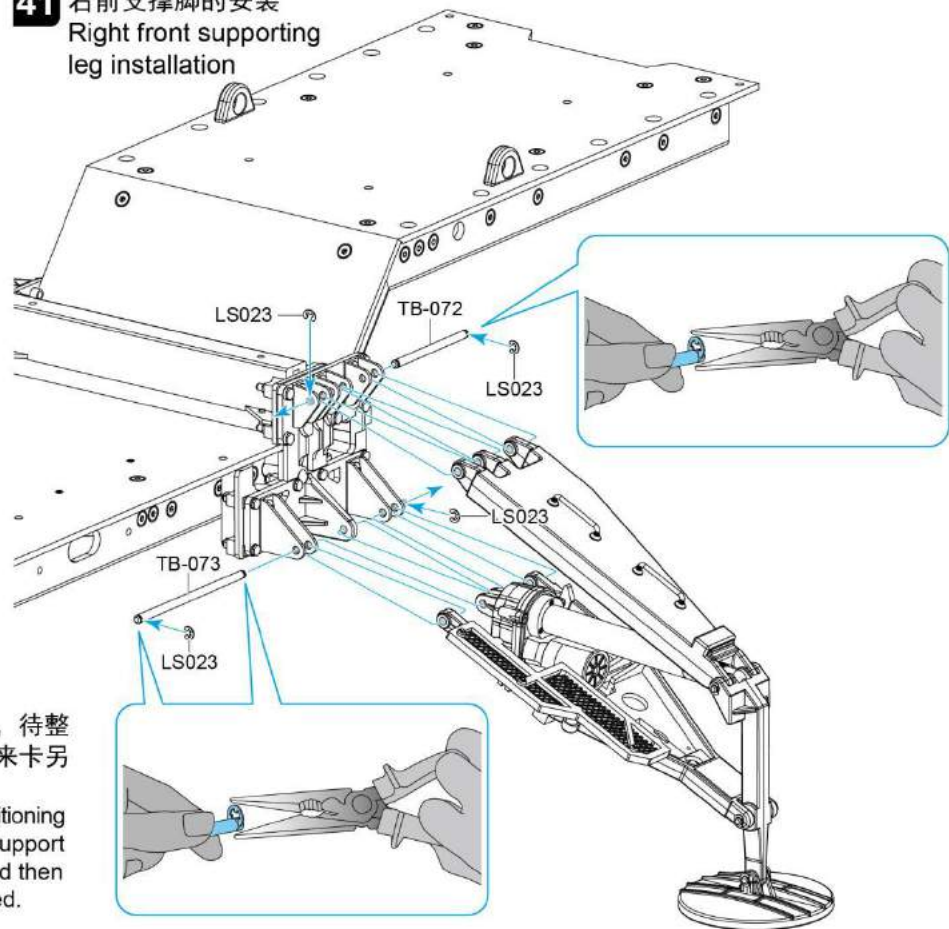


-----2
 TZ-201 Ø115mm



-  LS023 $\varnothing 2\text{mm}$ 4
-  TB-072 $\varnothing 3 \times 45.5\text{mm}$ 1
-  TB-073 $\varnothing 3 \times 67.5\text{mm}$ 1

41 右前支撑脚的安装 Right front supporting leg installation



注意
Caution

先将卡簧卡住定位轴一头，待整体支撑臂安装无误后，再来卡另一头卡簧。

First the reed stuck in the positioning shaft head, until the overall support arm installation is correct, and then card the other end of the reed.

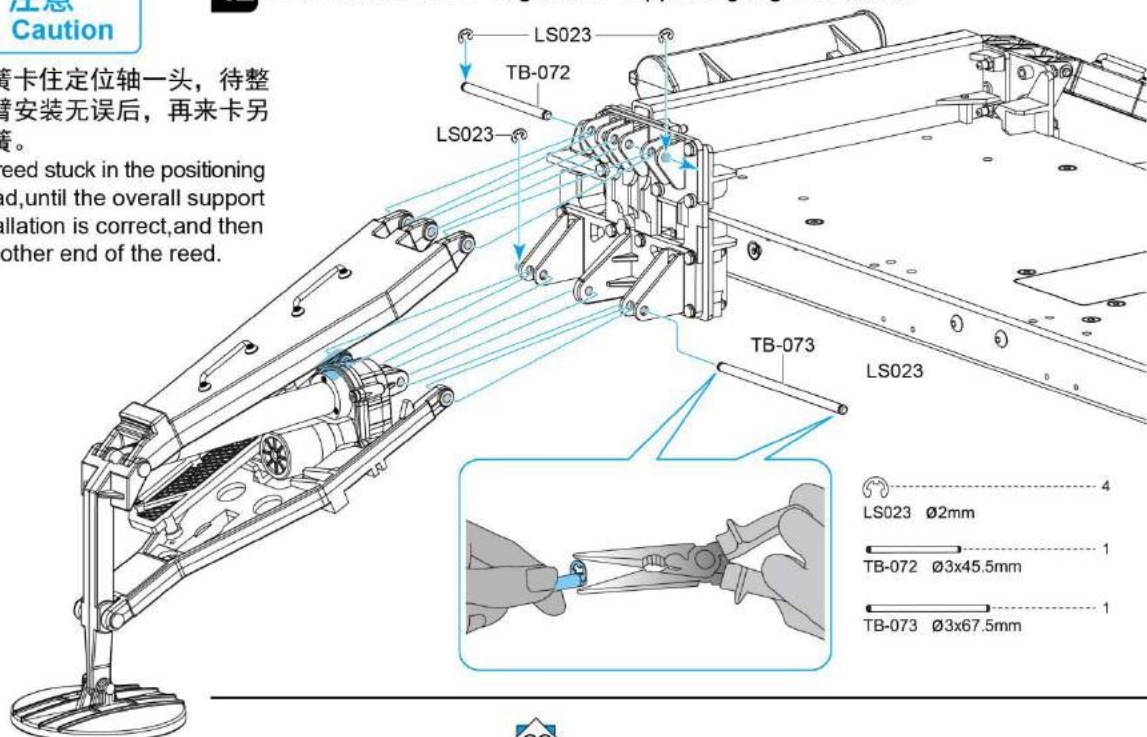




注意
Caution

先将卡簧卡住定位轴一头，待整体支撑臂安装无误后，再来卡另一头卡簧。

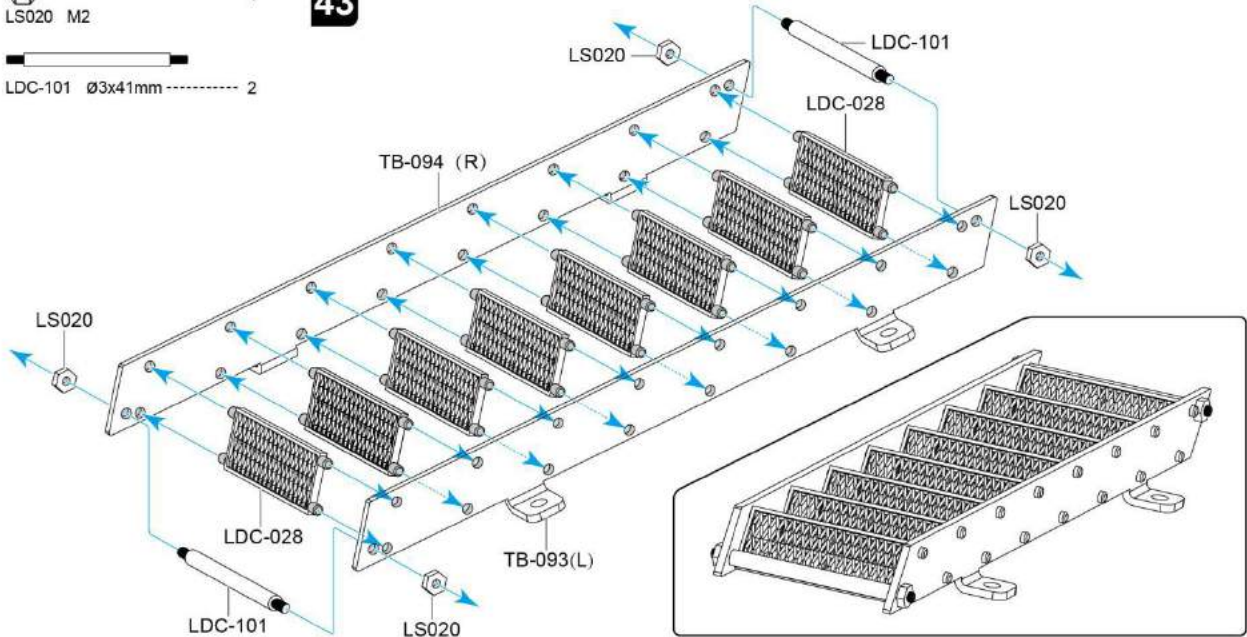
First the reed stuck in the positioning shaft head, until the overall support arm installation is correct, and then card the other end of the reed.

42 右后支撑脚的安装 Right rear supporting leg installation



-  4
LS020 M2
-  2
LDC-101 Ø3x41mm

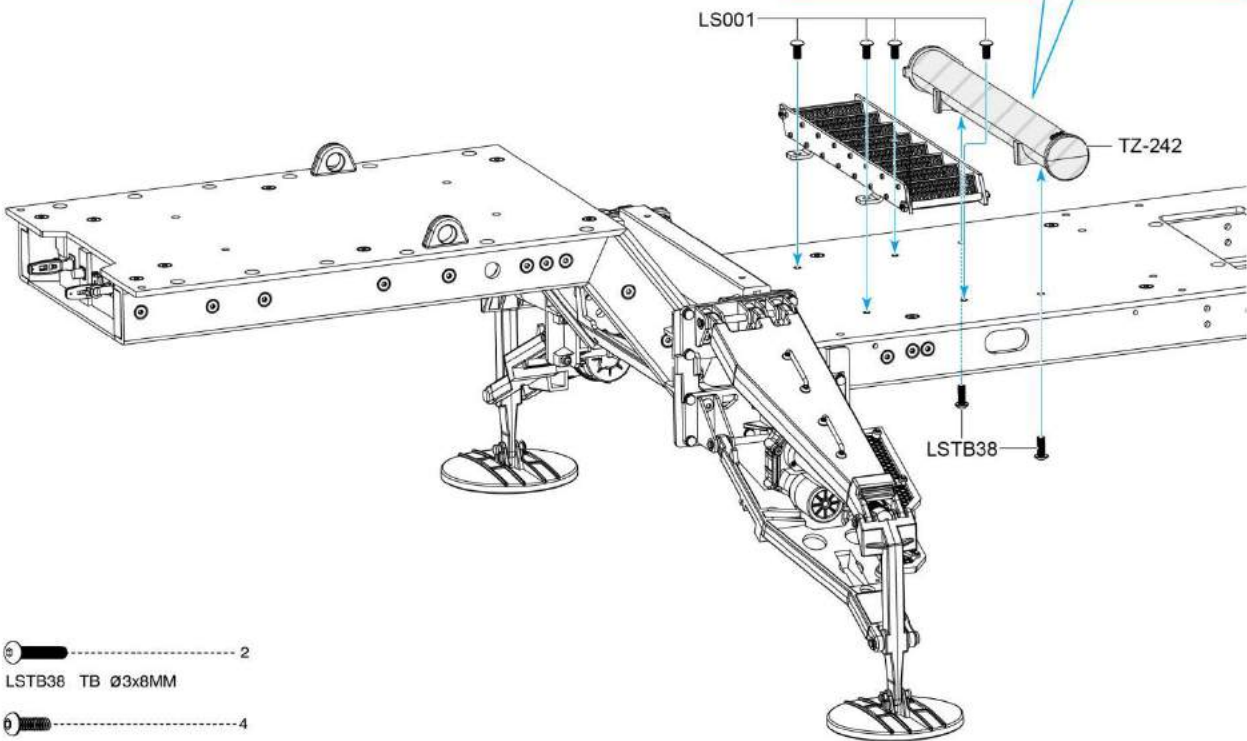
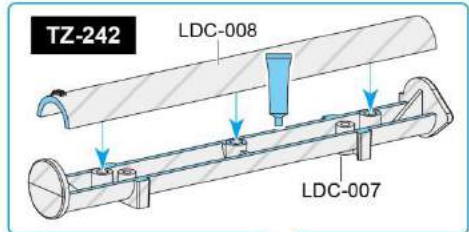
43



44



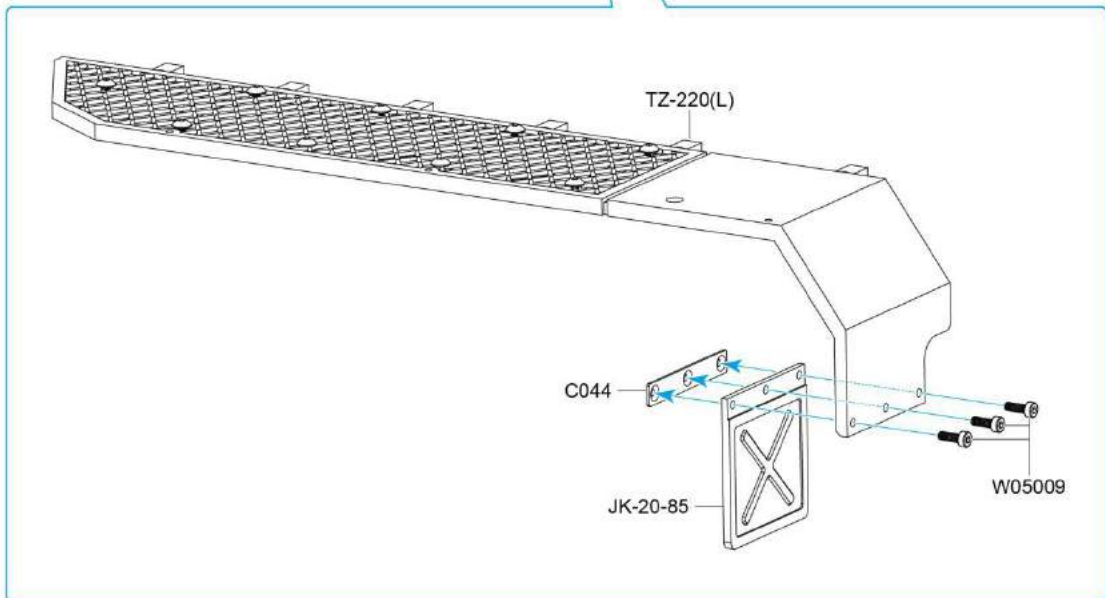
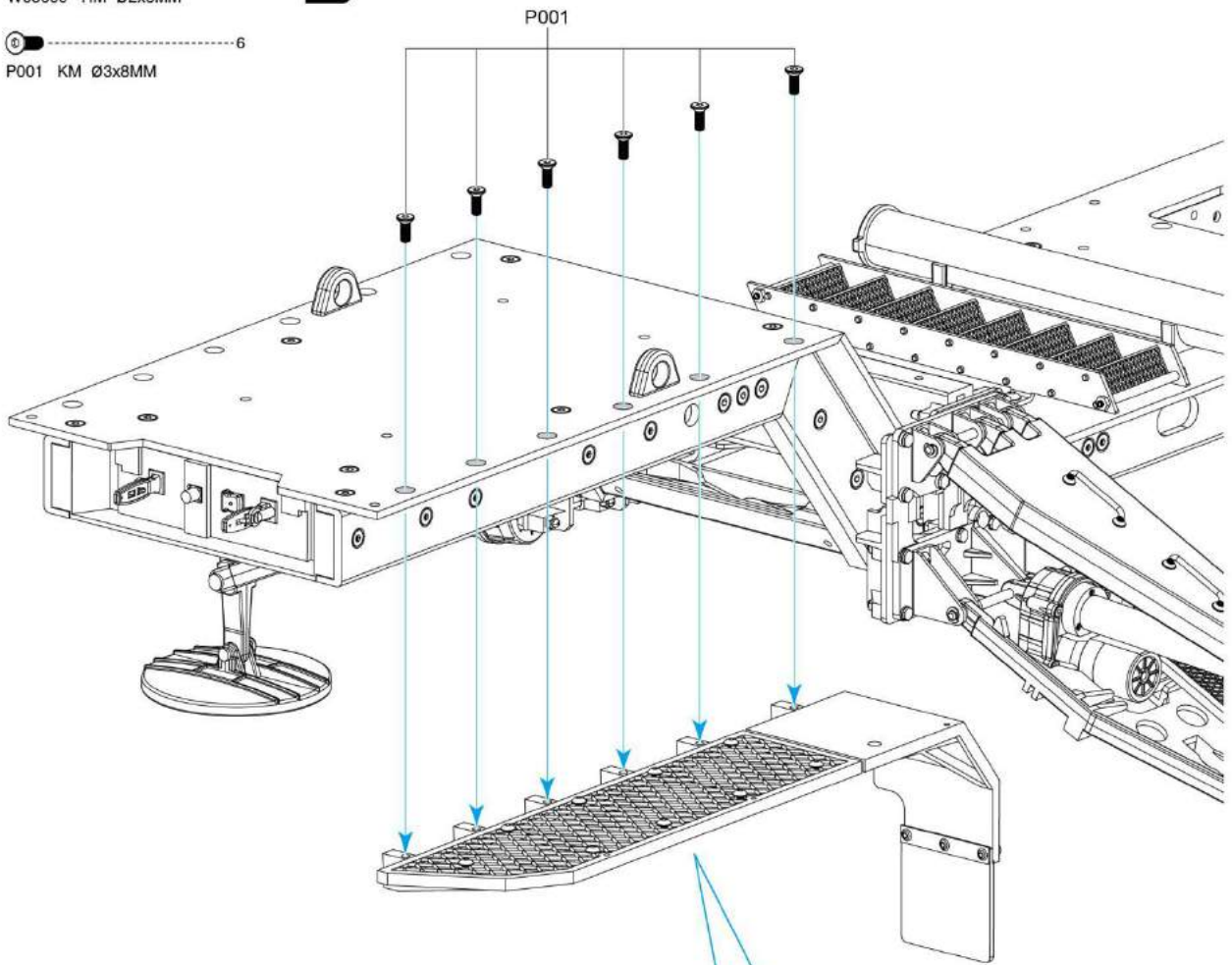
此配件出厂时已组装完成，组装图只是提供组装过程，可用于维护配件。
This accessory was assembled at the factory, and the assembly diagram simply provides the assembly process, can be used to maintain accessories.



-  2
LSTB38 TB Ø3x8MM
-  4
LS001 TM Ø3x6MM

-  3
W05009 HM Ø2x6MM
-  6
P001 KM Ø3x8MM

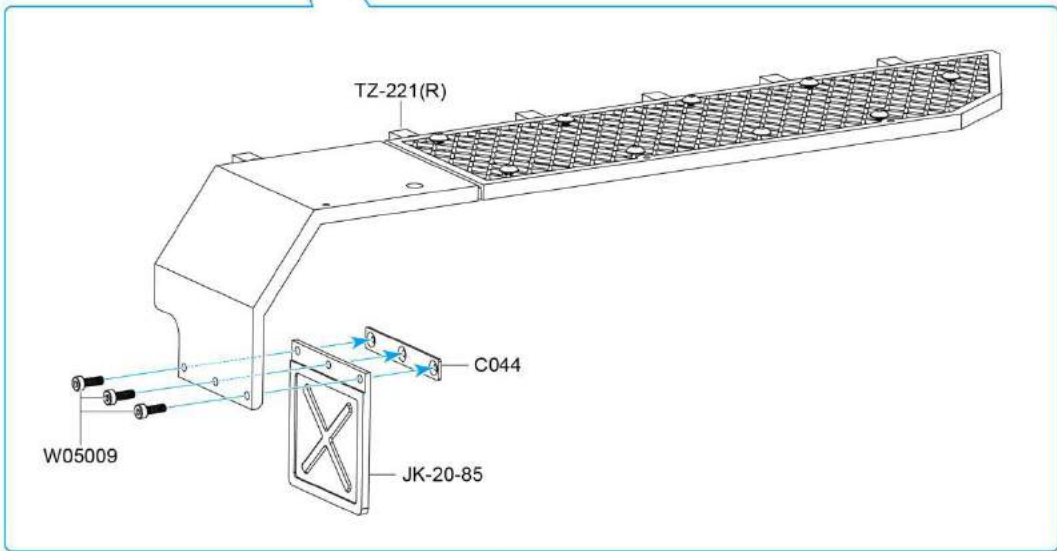
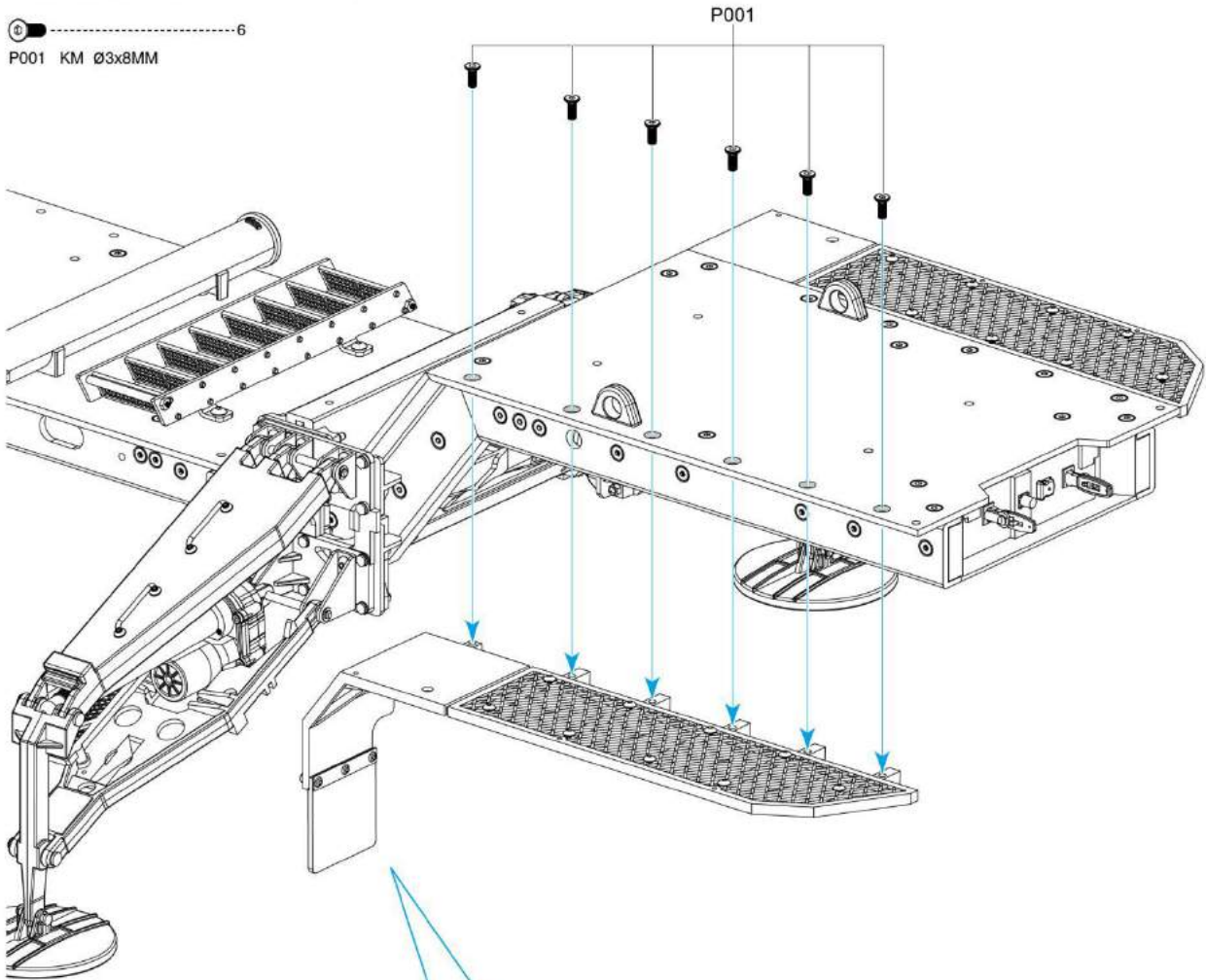
45



④ 3
W05009 HM Ø2x6MM

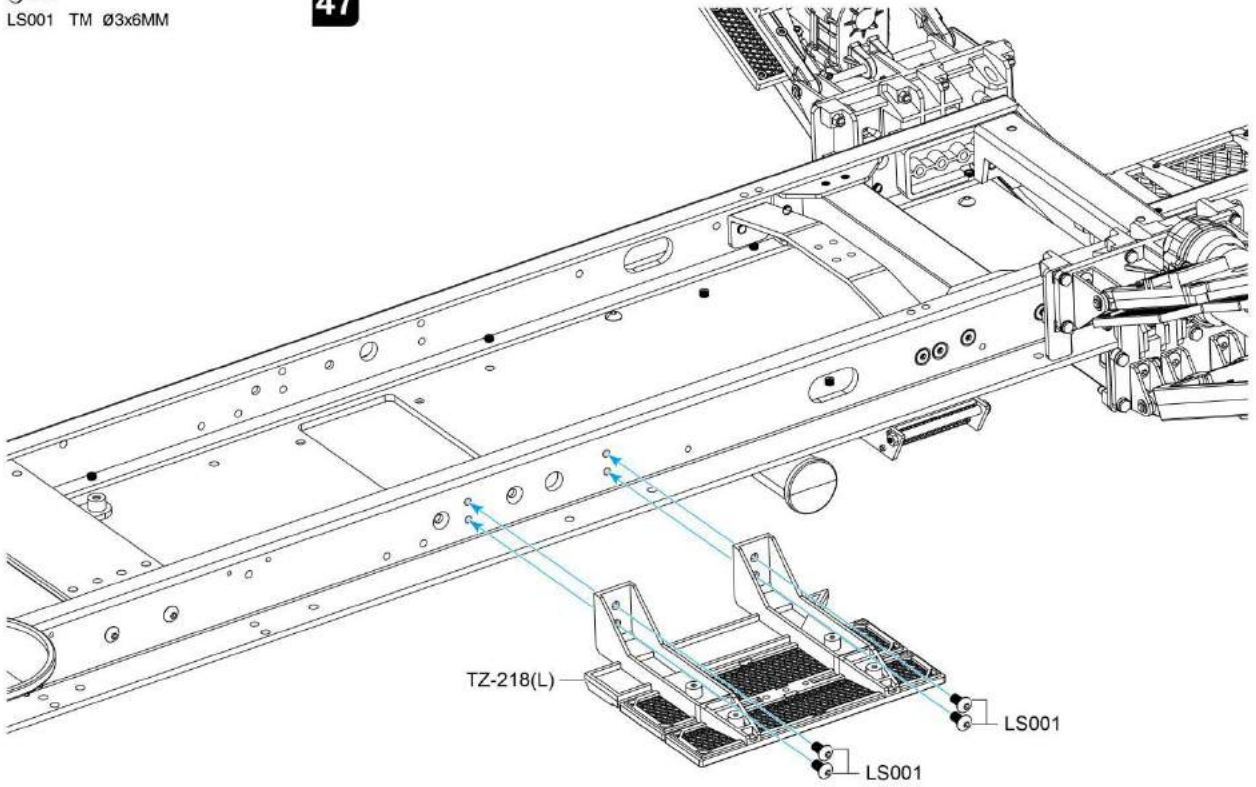
46

⑤ 6
P001 KM Ø3x8MM



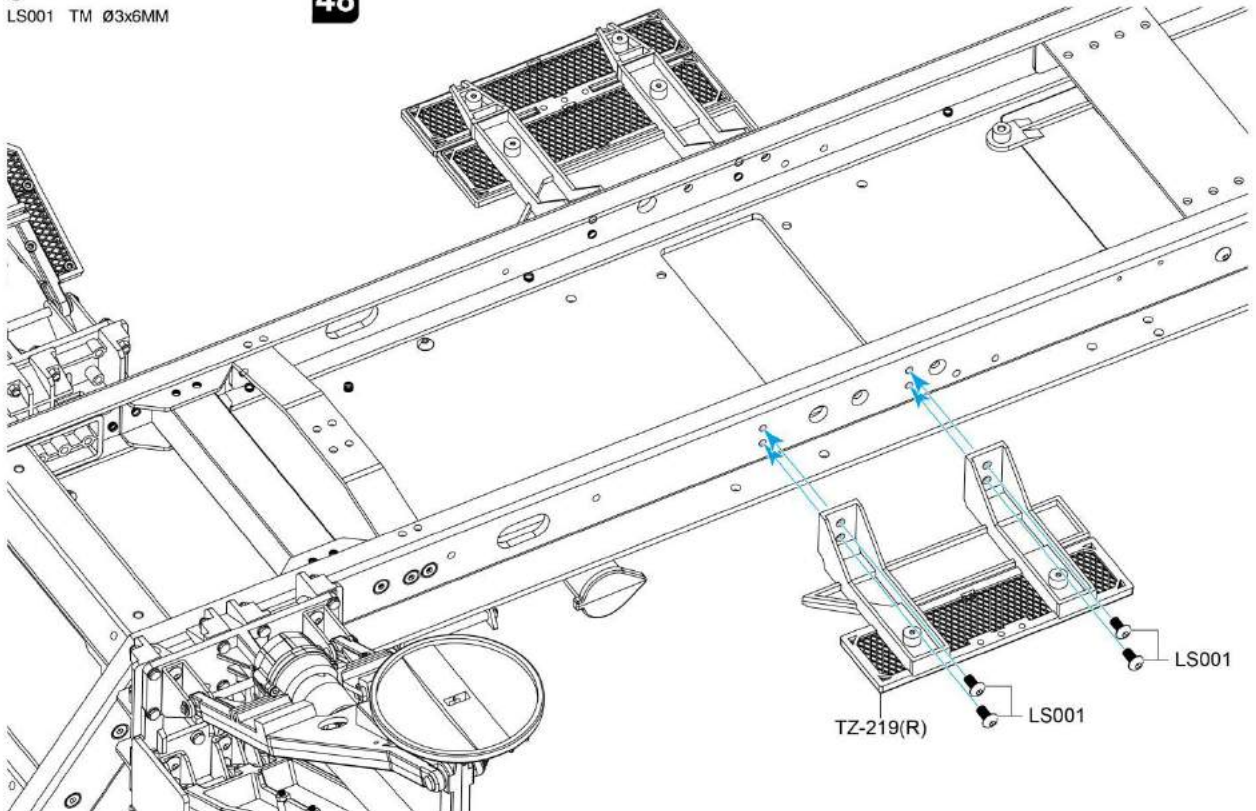
LS001 TM Ø3x6MM 4

47



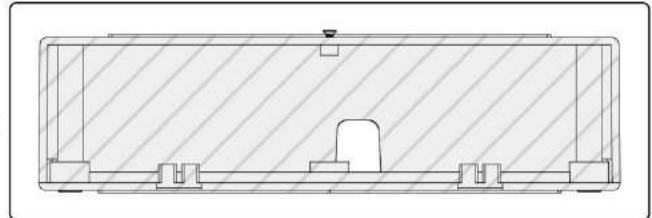
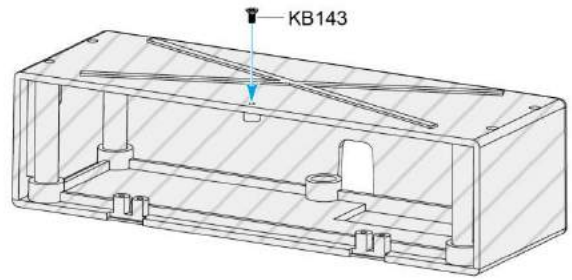
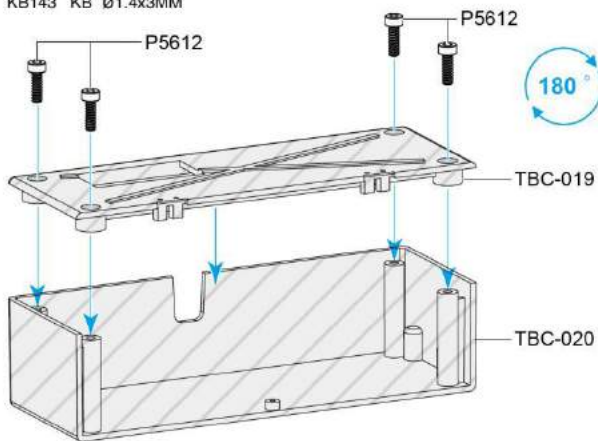
LS001 TM Ø3x6MM 4

48



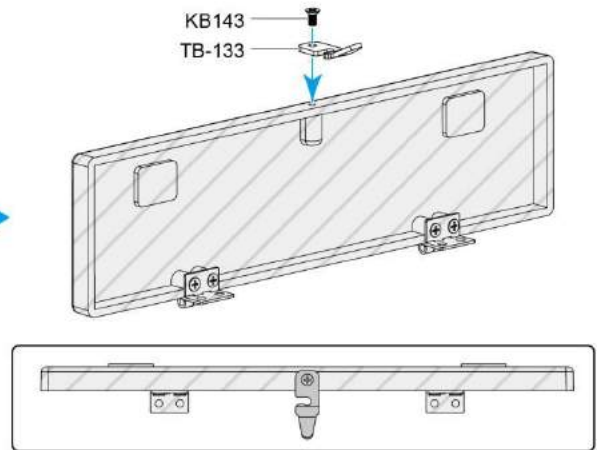
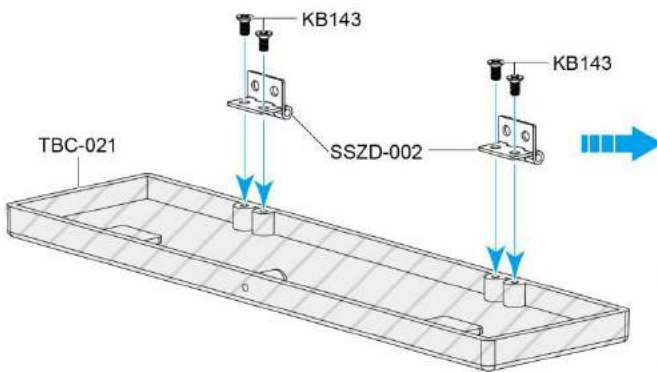
- 4 P5612 HB Ø2.6x8MM
- 1 KB143 KB Ø1.4x3MM

49



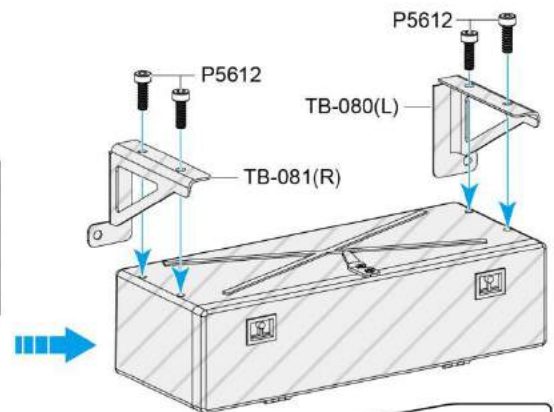
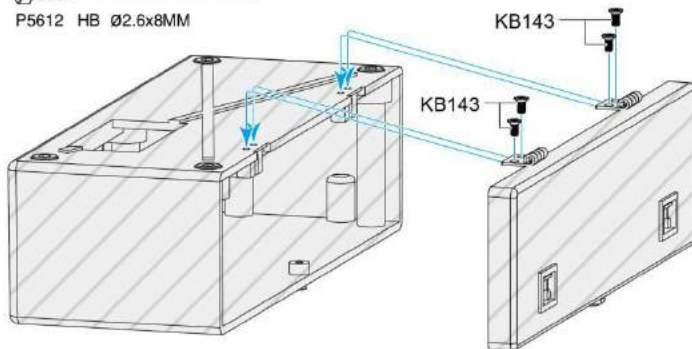
- 5 KB143 KB Ø1.4x3MM

50

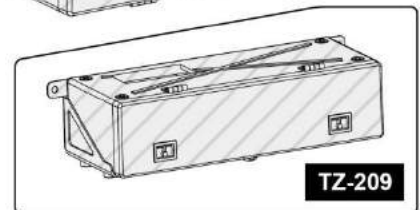


- 4 KB143 KB Ø1.4x3MM
- 4 P5612 HB Ø2.6x8MM

51

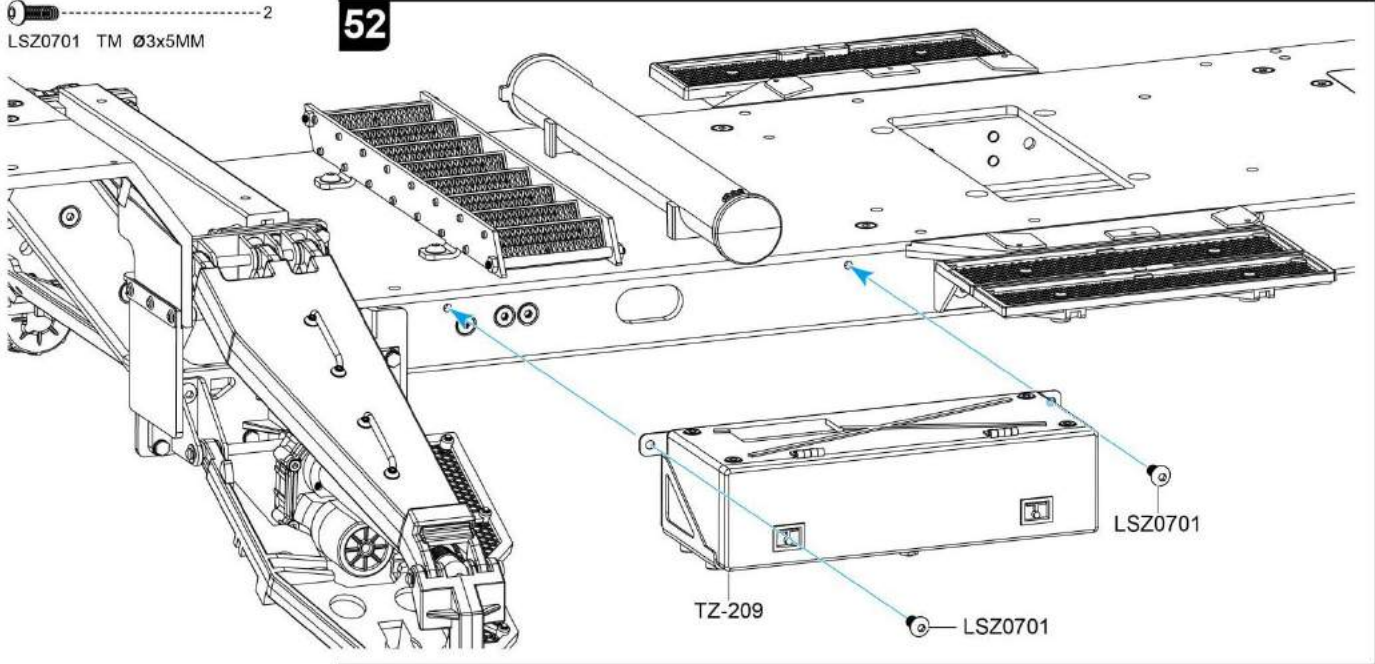


此配件出厂时已组装完成，组装图只是提供组装过程，可用于维护配件。
This accessory was assembled at the factory, and the assembly diagram simply provides the assembly process, can be used to maintain accessories.



LSZ0701 TM Ø3x5MM

52

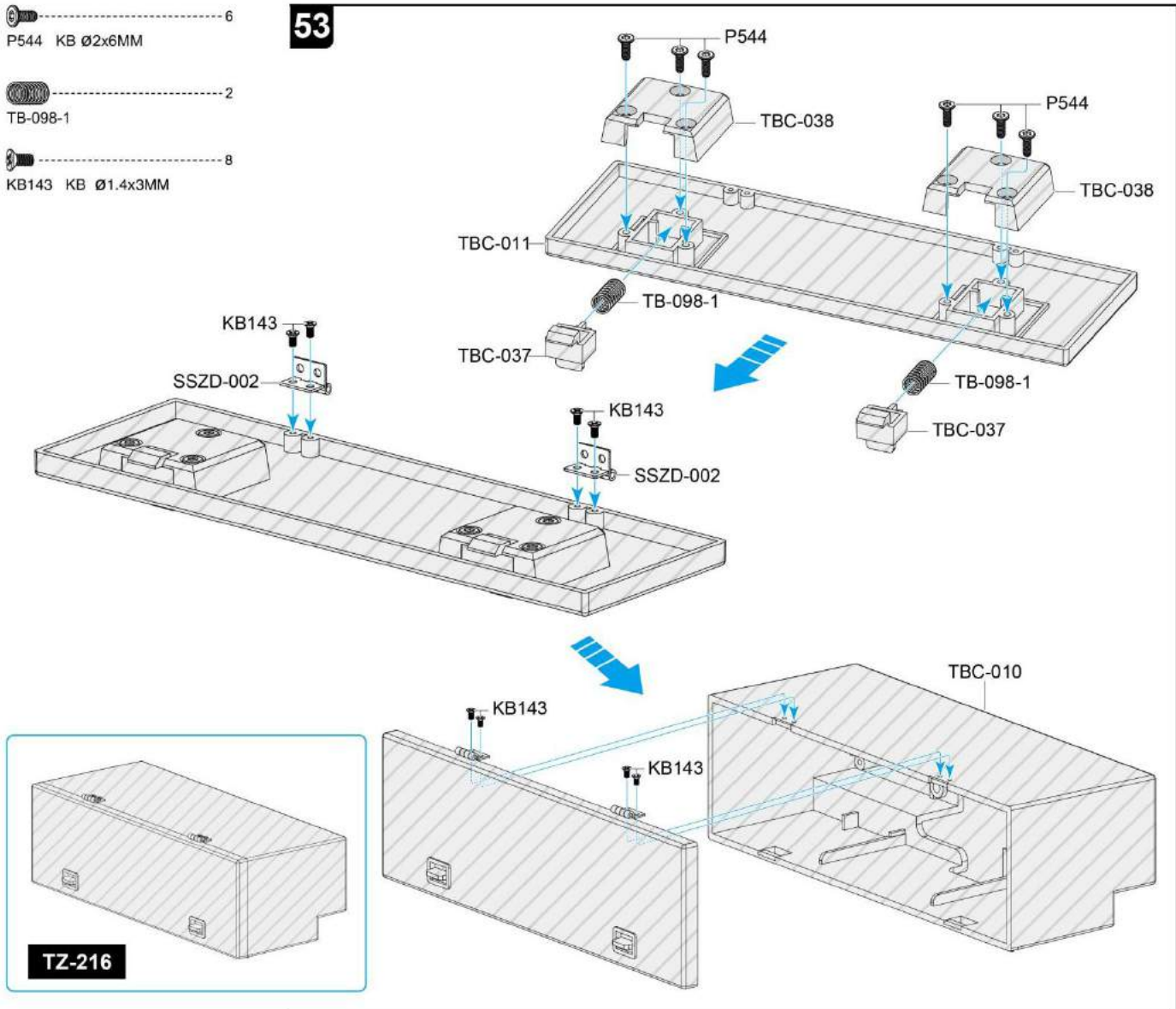


P544 KB Ø2x6MM

53

TB-098-1

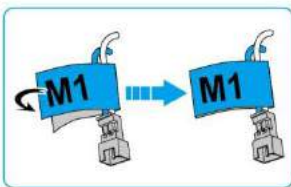
KB143 KB Ø1.4x3MM



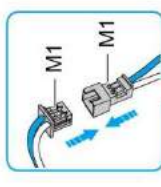


注意
Caution

线路连接好后，电线两端贴上标签，以便日后辨识。
Once the wires are connected, label both ends of the wire for later identification.

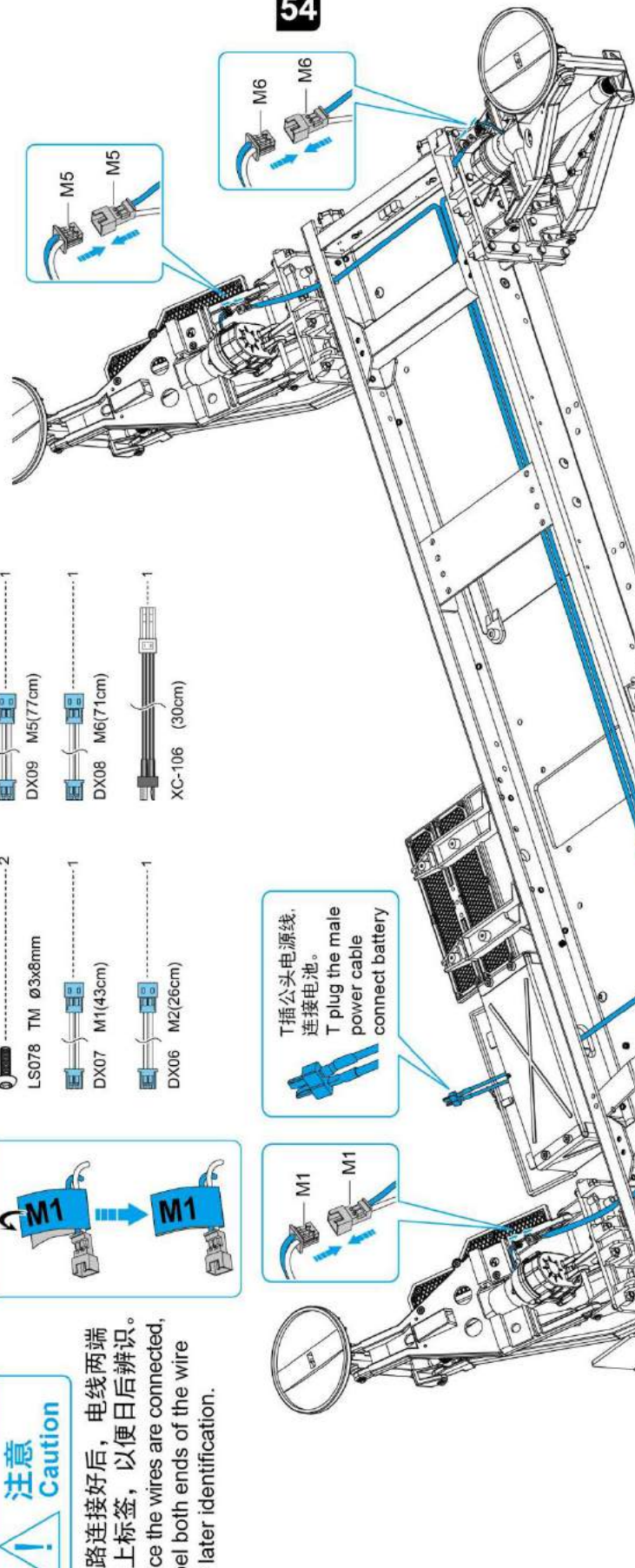


- LS078 TM $\varnothing 3 \times 8 \text{mm}$ 2
- DX07 M1(43cm) 1
- DX06 M2(26cm) 1
- DX09 M5(77cm) 1
- DX08 M6(71cm) 1
- XC-106 (30cm) 1

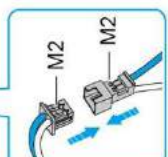
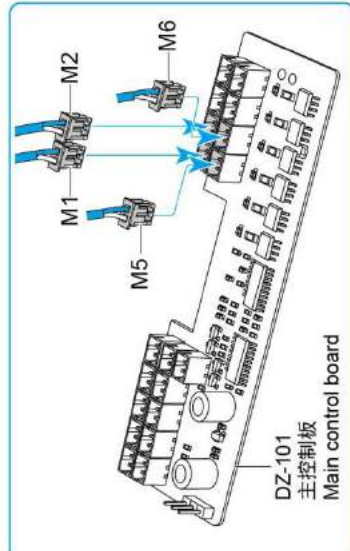


T插公头电源线，
连接电池。
T plug the male
power cable
connect battery

- DX09 M5(77cm) 1
- DX08 M6(71cm) 1
- XC-106 (30cm) 1

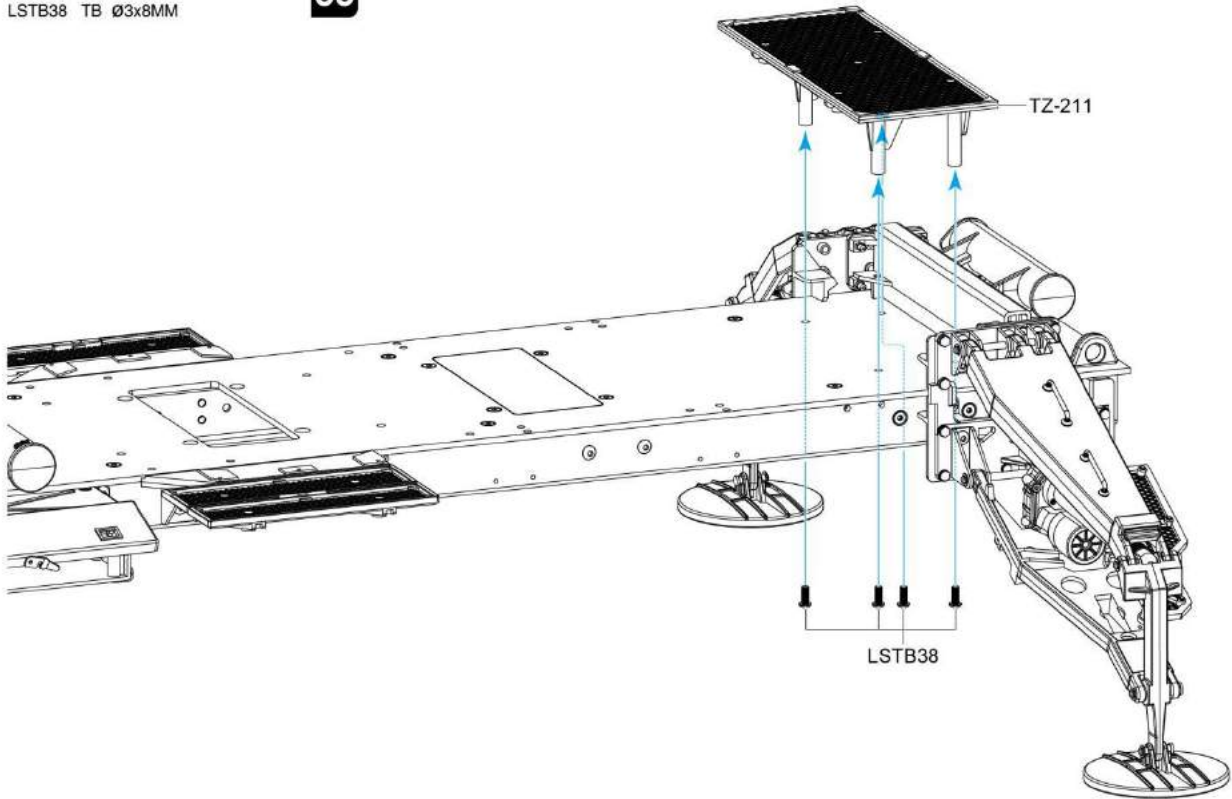


JST插头连接小稳压电源插头(预留线仅用于小遥控器操作时连接)
The JST plug is connected to a small regulated power plug (the reserved wire is only used for connections when the small transmitter is operating.)



● 4
LSTB38 TB Ø3x8MM

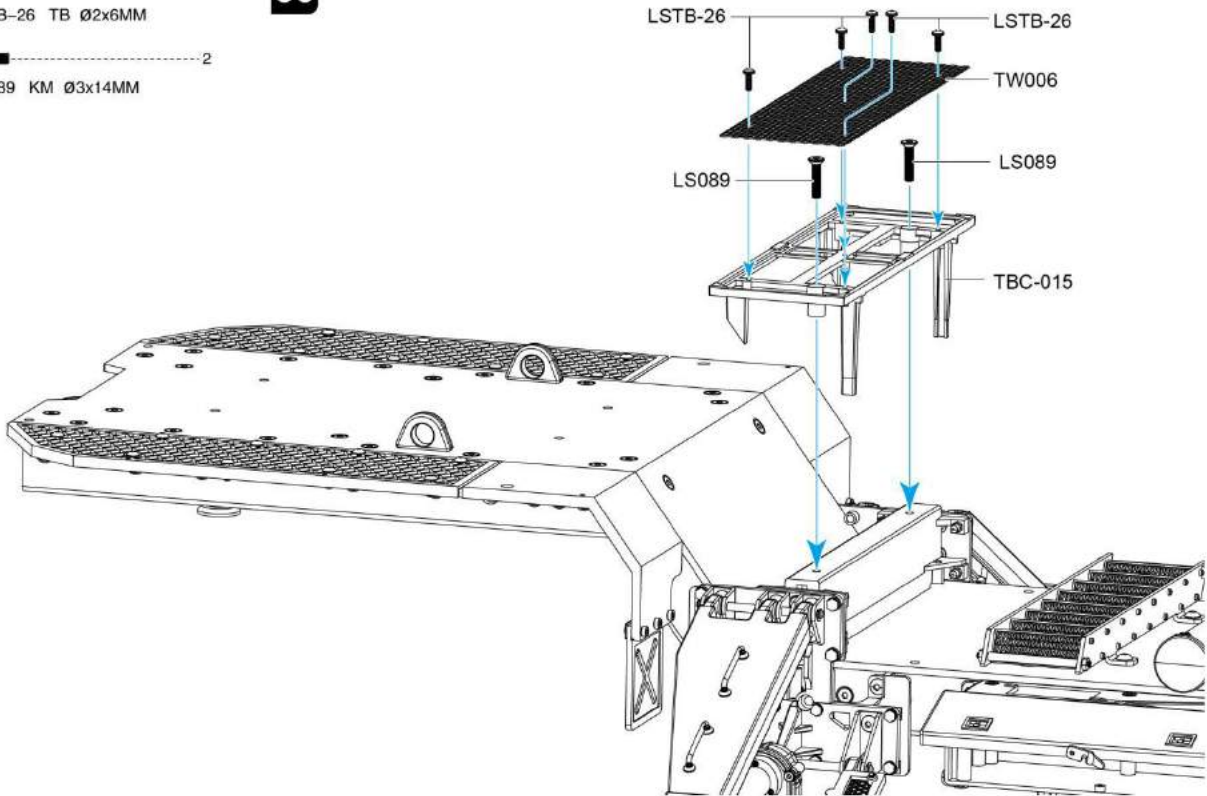
55



● 5
LSTB-26 TB Ø2x6MM

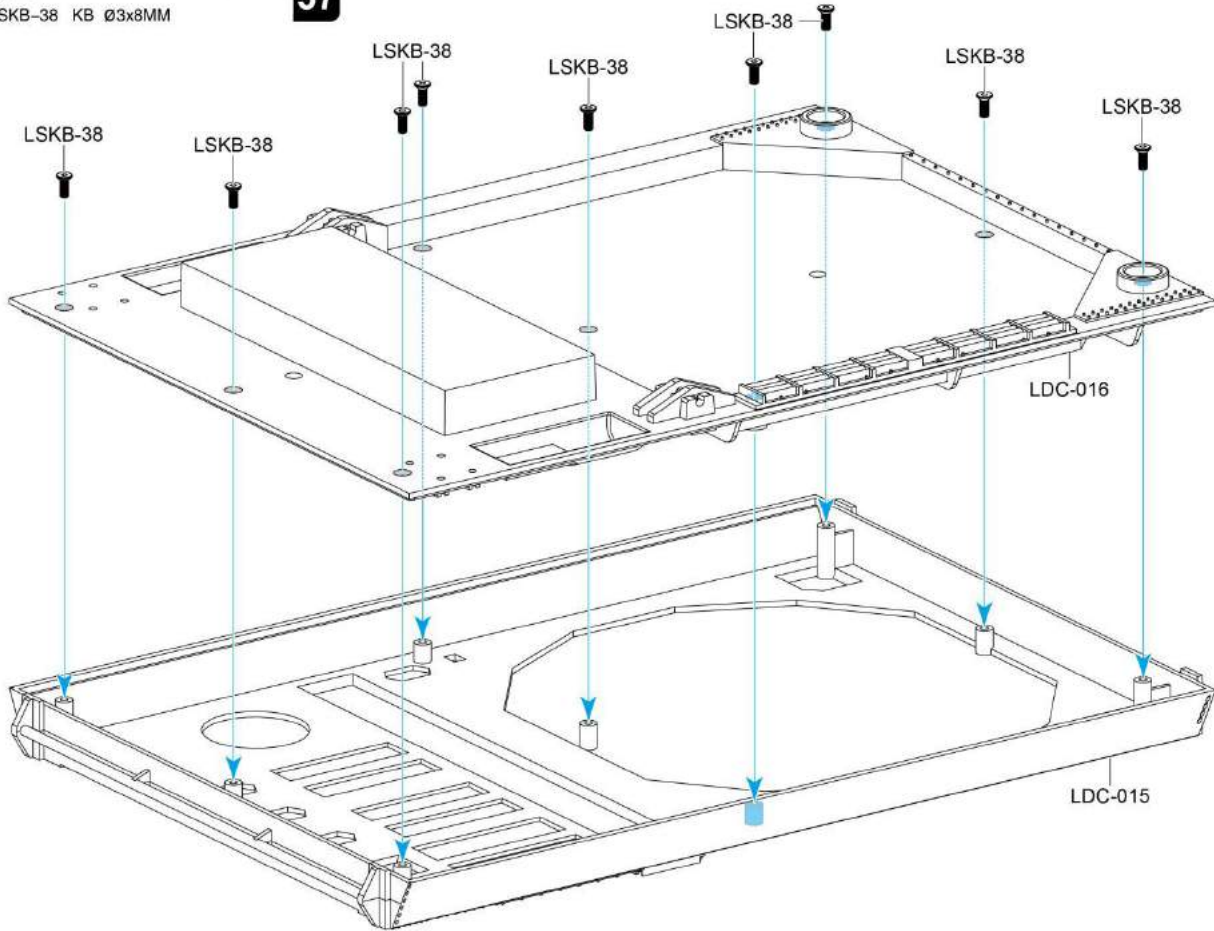
■ 2
LS089 KM Ø3x14MM

56



9
LSKB-38 KB Ø3x8MM

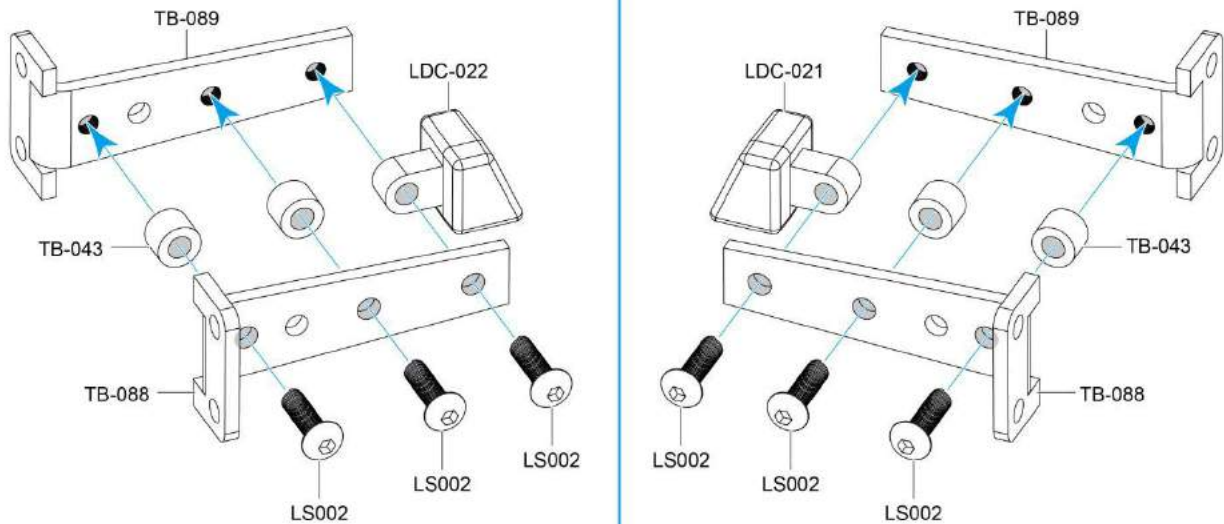
57



6
LS002 TM Ø3x10MM

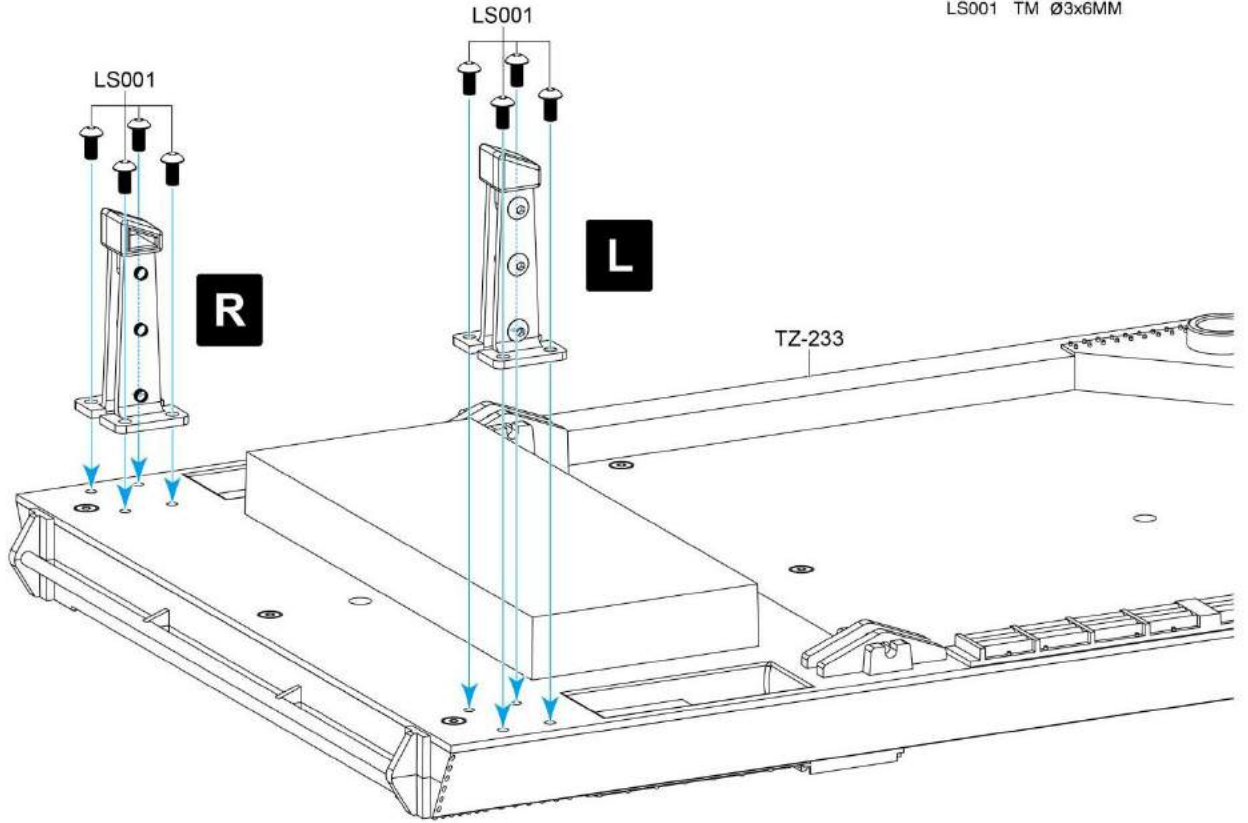
58

4
TB-043 Ø6x3.2x4.5MM

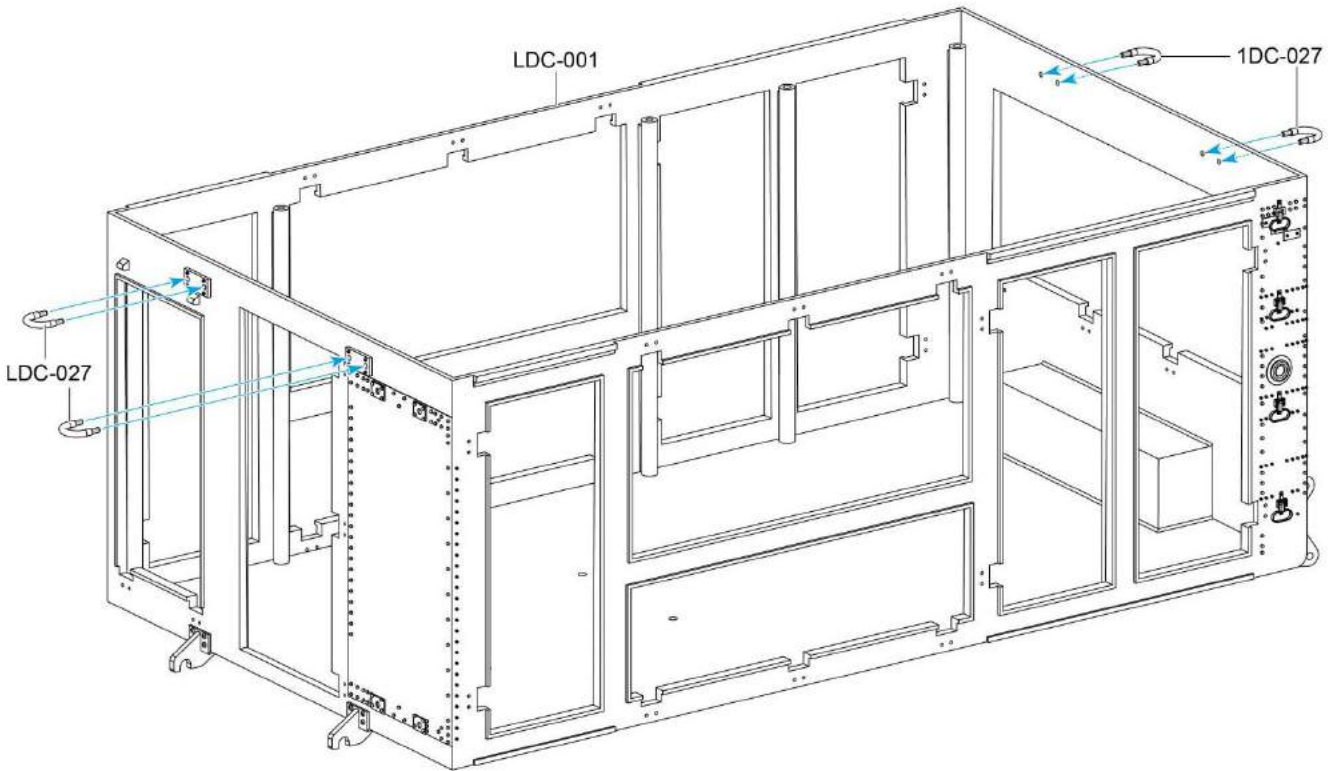


59

LS001 TM Ø3x6MM 8

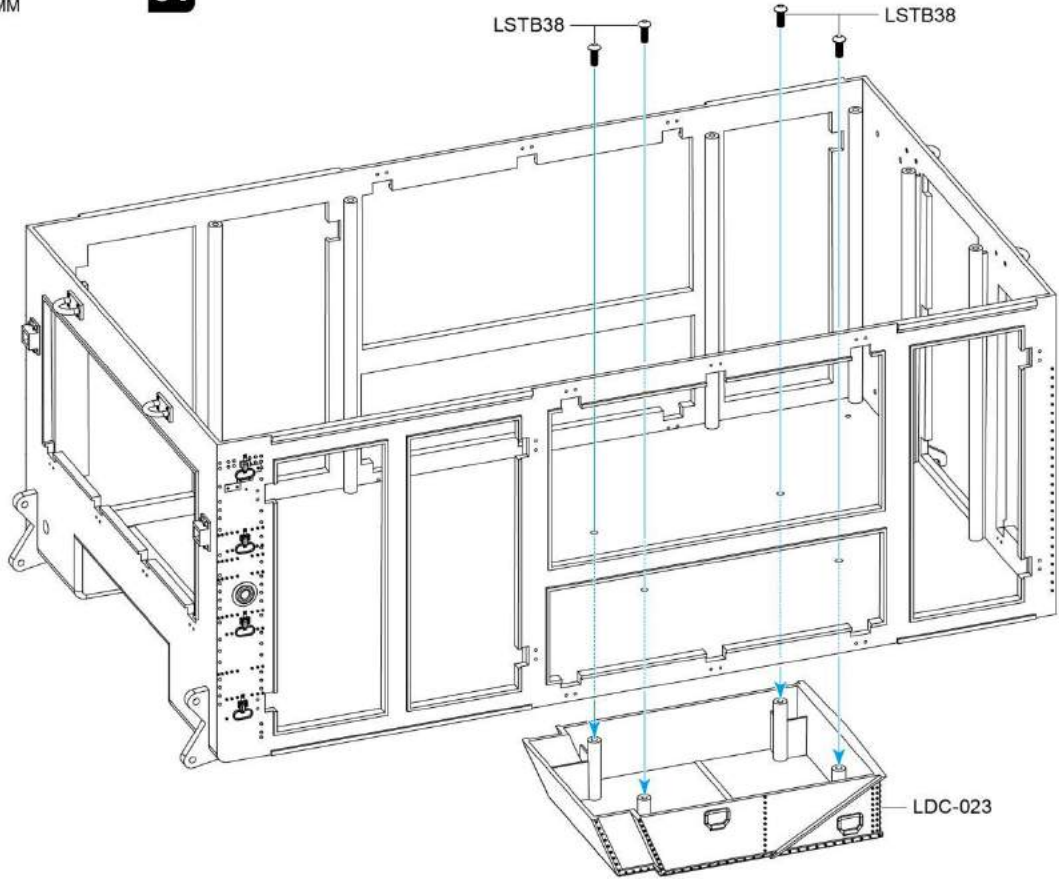


60



LSTB38 TB Ø3x8MM 4

61



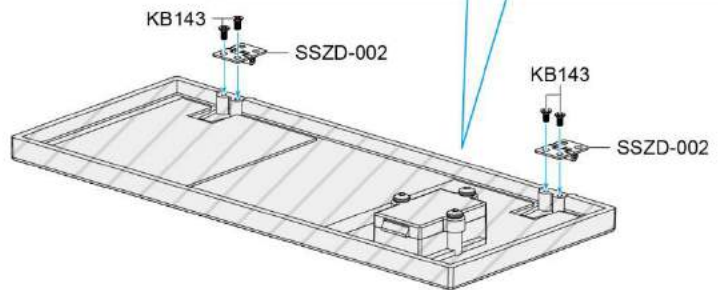
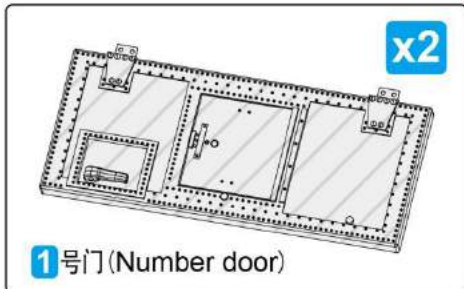
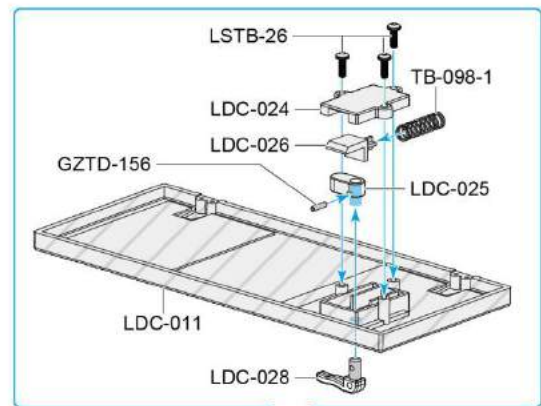
GZTD-156 Ø1.5X6mm 2
 LSTB-26 TB Ø2x6MM 6
 KB143 KB Ø1.4x3MM 8

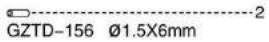

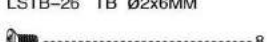
62



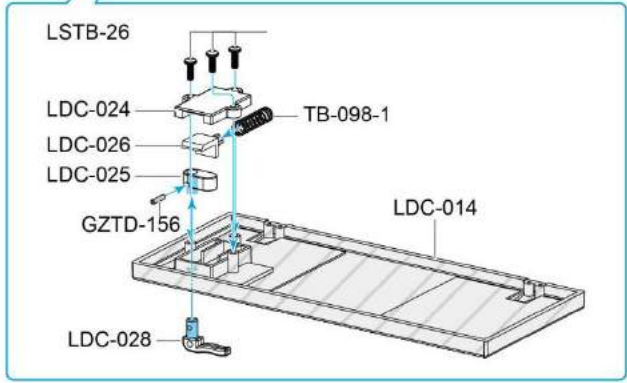
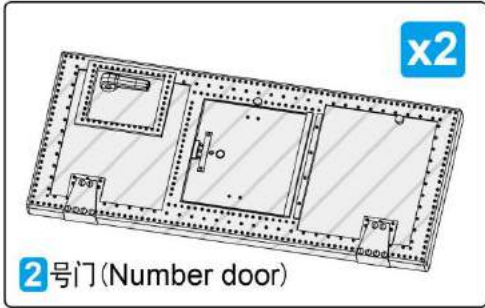
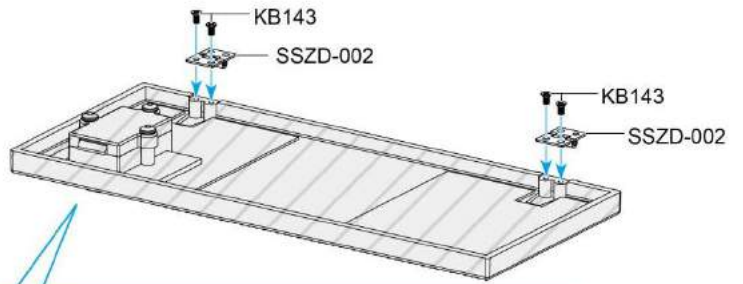
下面车门出厂时已组装完成，组装图只是提供组装过程，可用于维护配件。

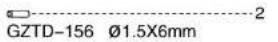

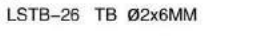
Below car door was assembled at the factor, the assembly diagram simply provides the assembly process, can be used to maintain accessories.



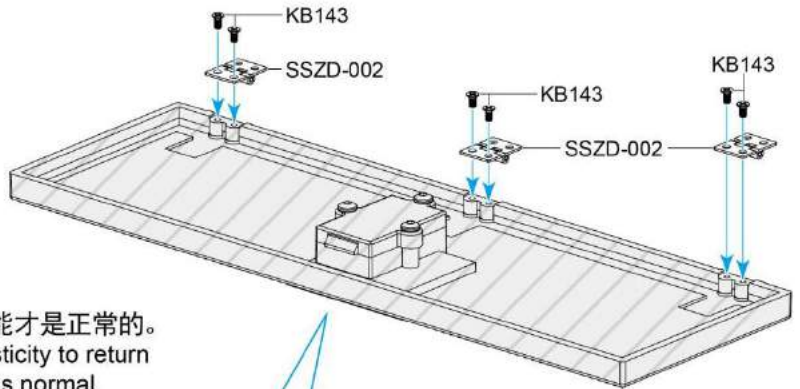
-  GZTD-156 $\varnothing 1.5 \times 6 \text{mm}$ 2
-  LSTB-26 TB $\varnothing 2 \times 6 \text{MM}$ 6
-  KB143 KB $\varnothing 1.4 \times 3 \text{MM}$ 8

63

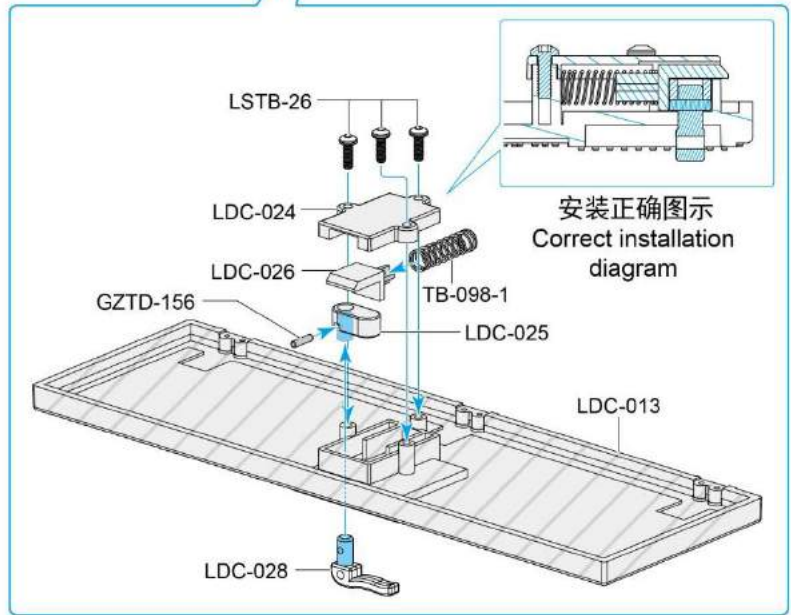
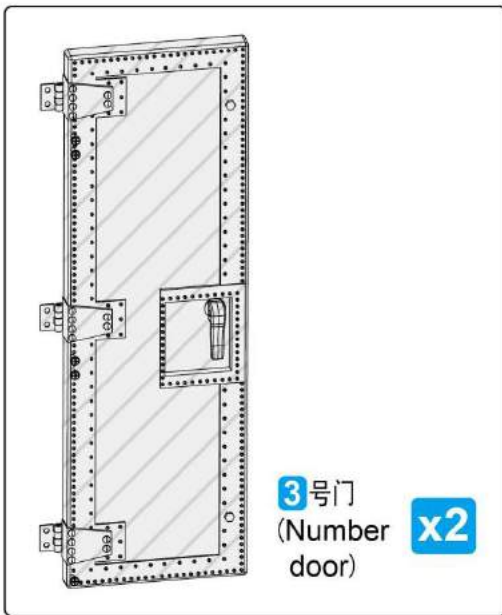





-  GZTD-156 $\varnothing 1.5 \times 6 \text{mm}$ 2
-  LSTB-26 TB $\varnothing 2 \times 6 \text{MM}$ 6
-  KB143 KB $\varnothing 1.4 \times 3 \text{MM}$ 12

64

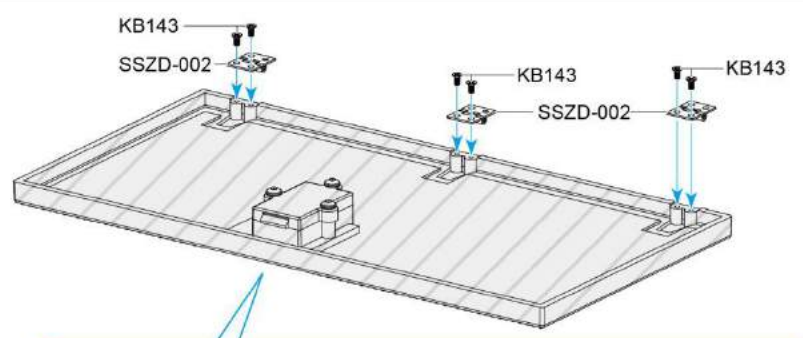


车门手把向上推后有弹力回到原位，手把功能才是正常的。
The door handle is pushed up and has the elasticity to return to its original position, and the handle function is normal.

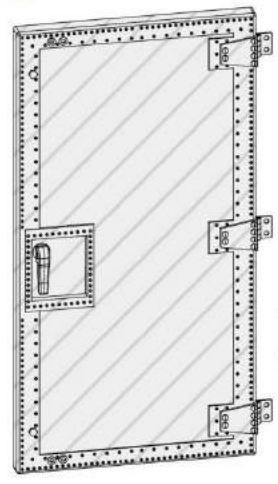


-  2
GZTD-156 Ø1.5X6mm
-  6
LSTB-26 TB Ø2x6MM
-  12
KB143 KB Ø1.4x3MM

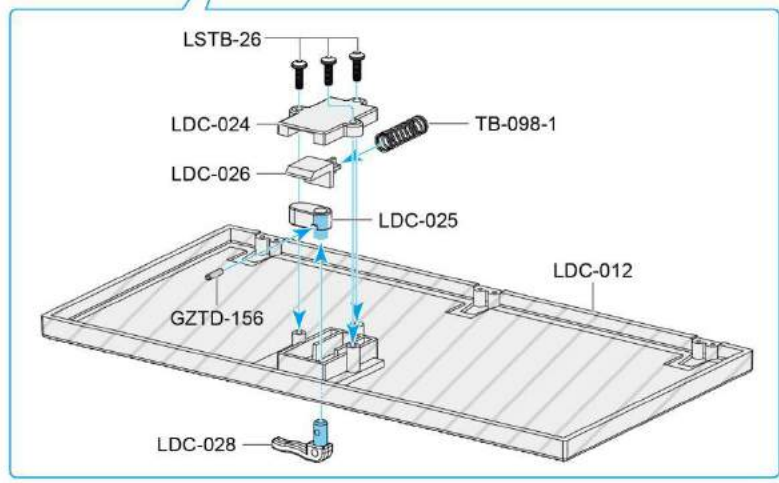
65






4号门 (Number door)

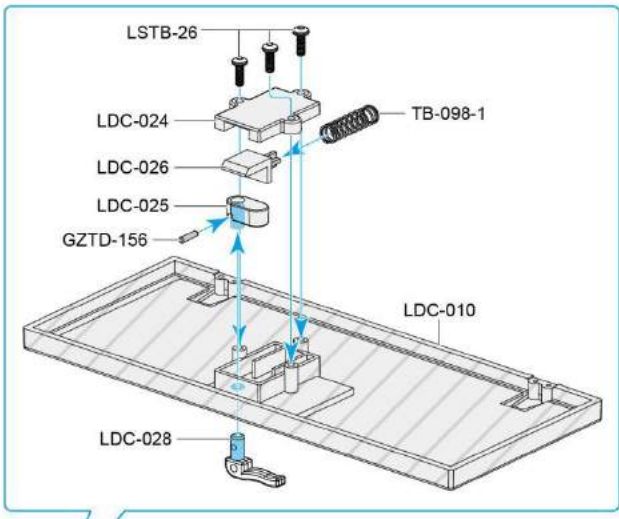


x2

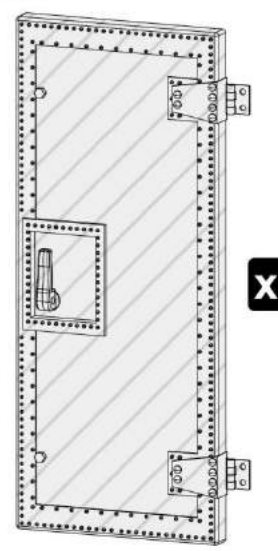


-  2
GZTD-156 Ø1.5X6mm
-  6
LSTB-26 TB Ø2x6MM
-  8
KB143 KB Ø1.4x3MM

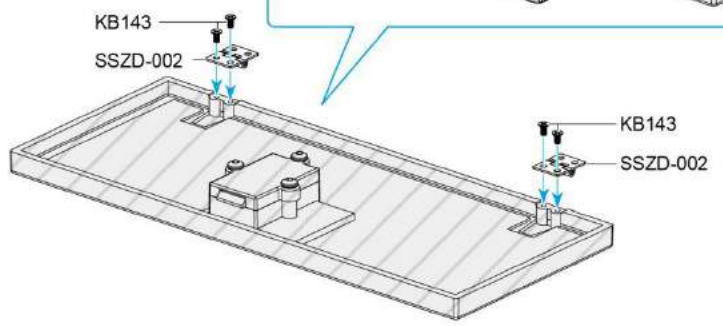
66



5号门 (Number door)

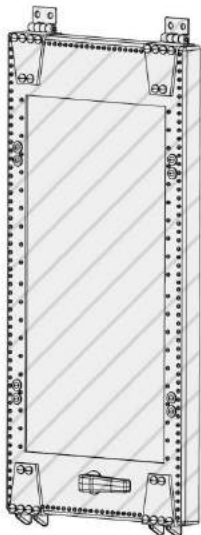


x2

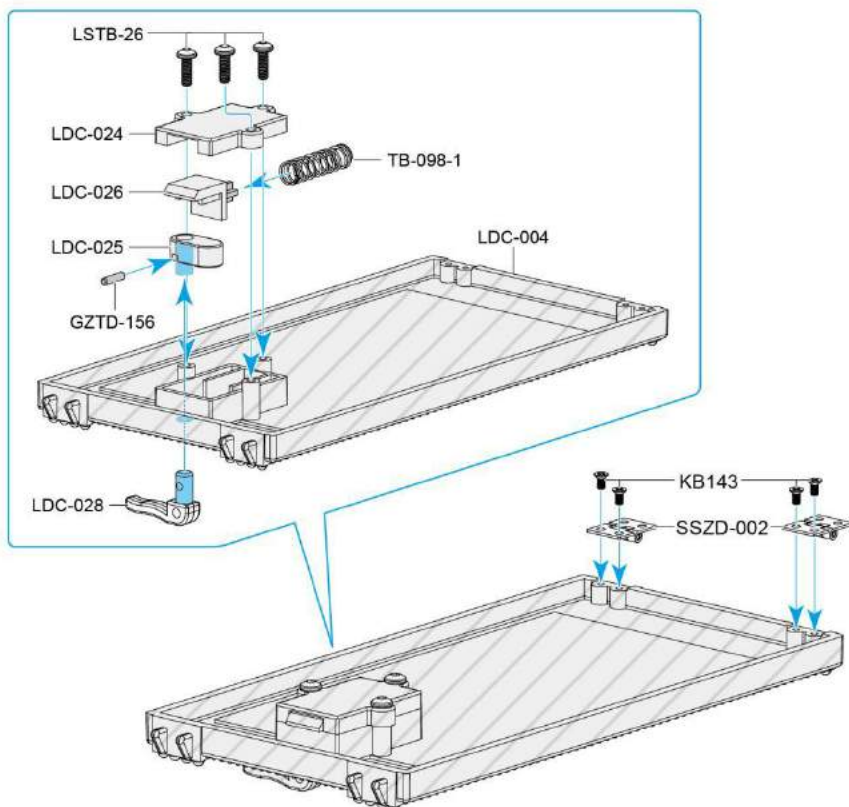


- 1 GZTD-156 $\varnothing 1.5 \times 6 \text{mm}$
- 3 LSTB-26 TB $\varnothing 2 \times 6 \text{MM}$
- 4 KB143 KB $\varnothing 1.4 \times 3 \text{MM}$

6号门 (Number door)

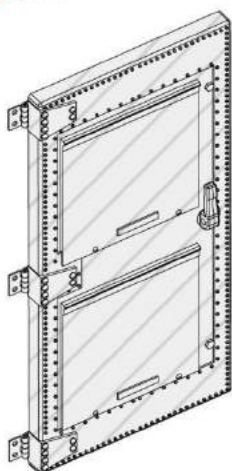


67

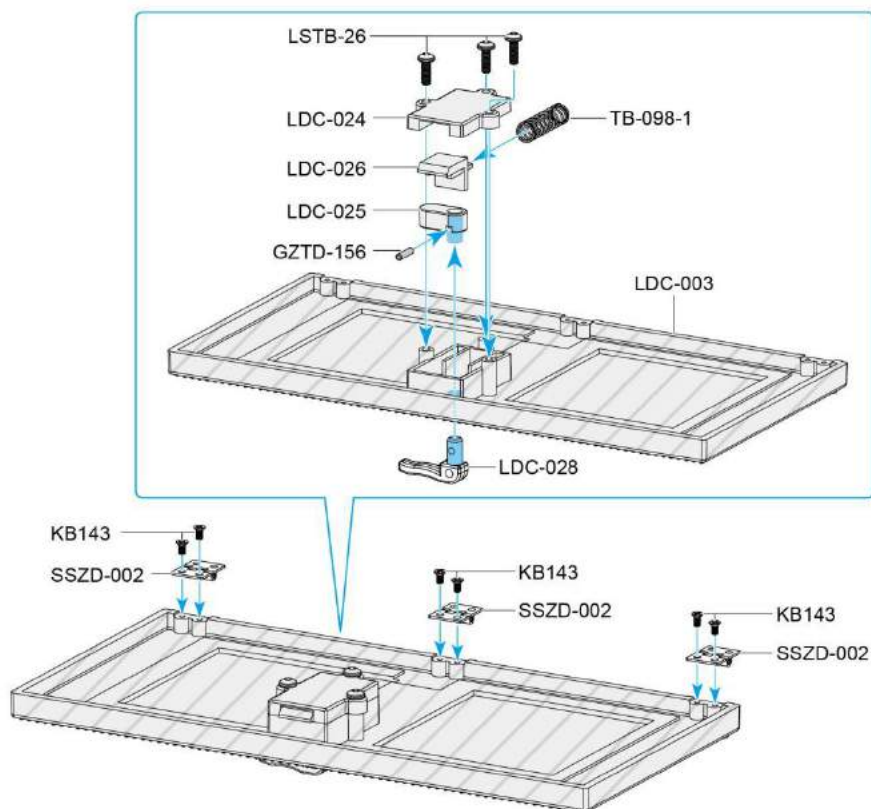


- 1 GZTD-156 $\varnothing 1.5 \times 6 \text{mm}$
- 3 LSTB-26 TB $\varnothing 2 \times 6 \text{MM}$
- 6 KB143 KB $\varnothing 1.4 \times 3 \text{MM}$

7号门 (Number door)



68

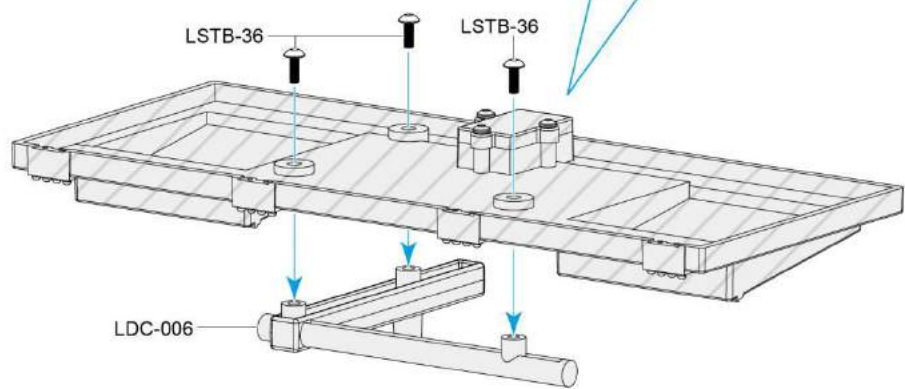
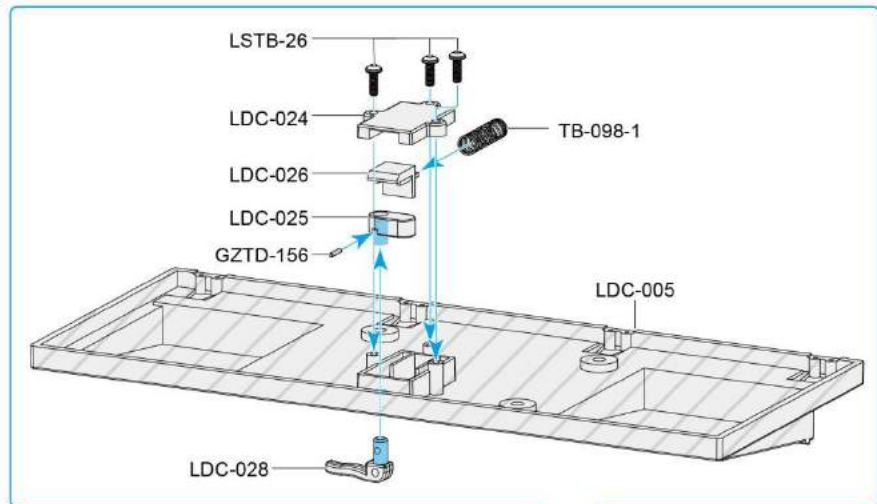


1
GZTD-156 Ø1.5X6mm

3
LSTB-26 TB Ø2x6MM

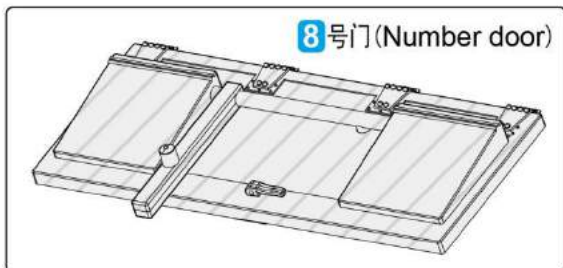
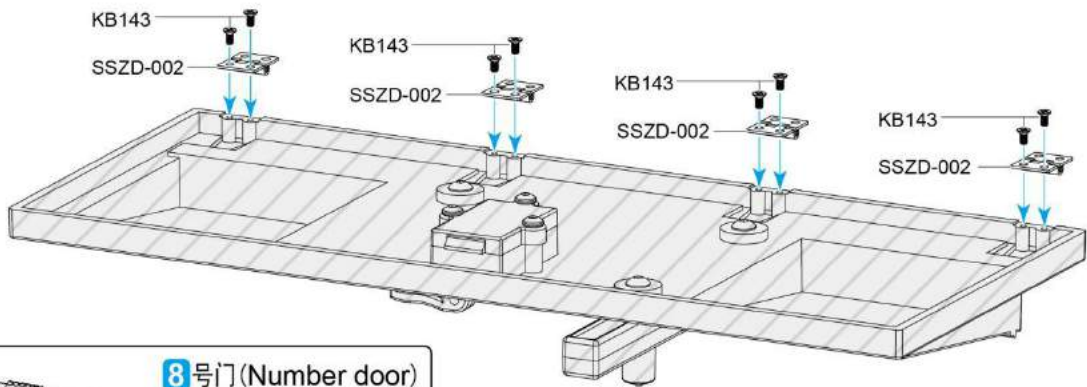
3
LSTB-36 TB Ø3x6MM

69

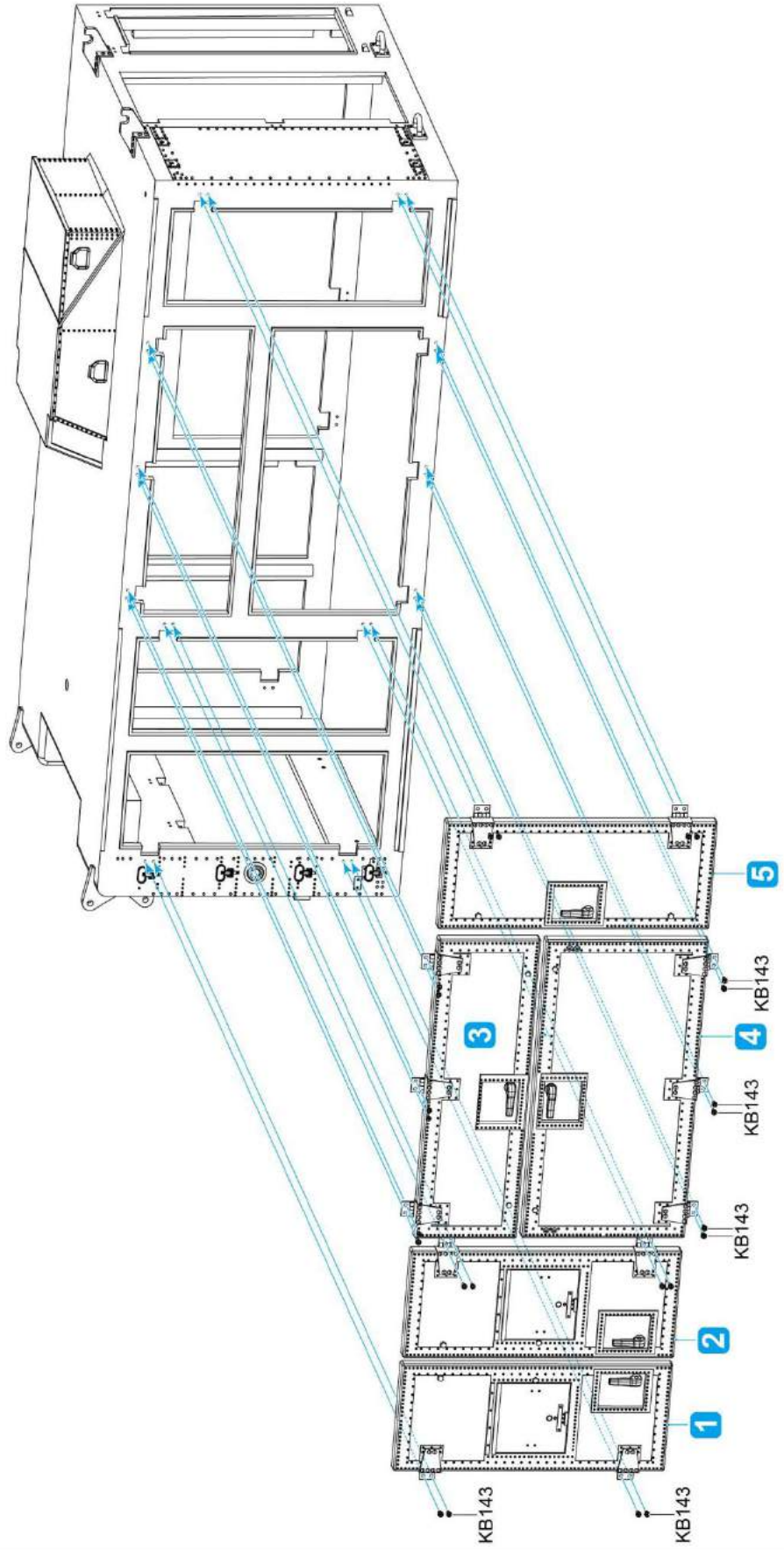


8
KB143 KB Ø1.4x3MM

70



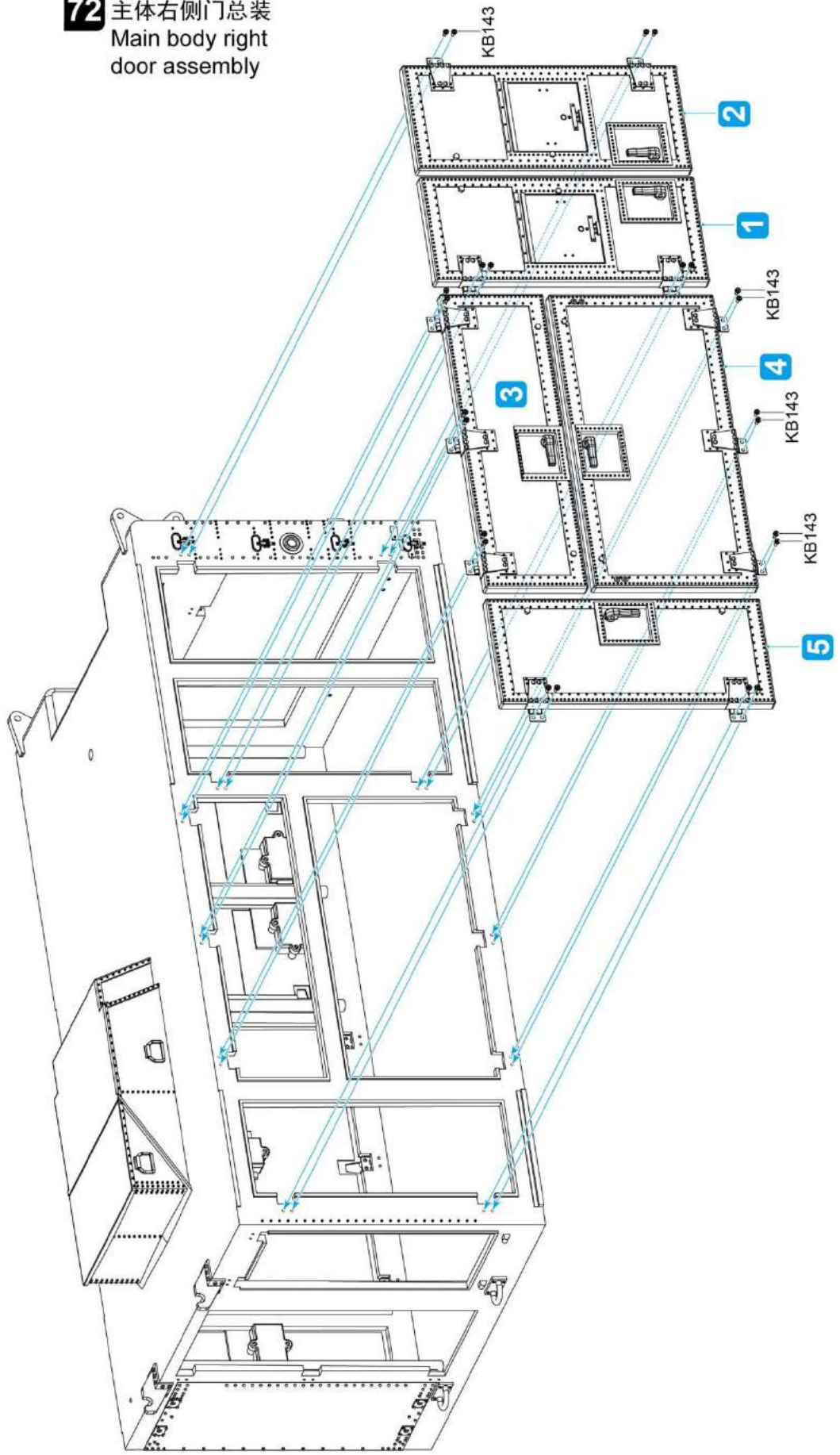
71 主体左侧门总装 Main body left door assembly



KB143 KB Ø1.4x3MM

24

72 主体右侧门总装
Main body right door assembly

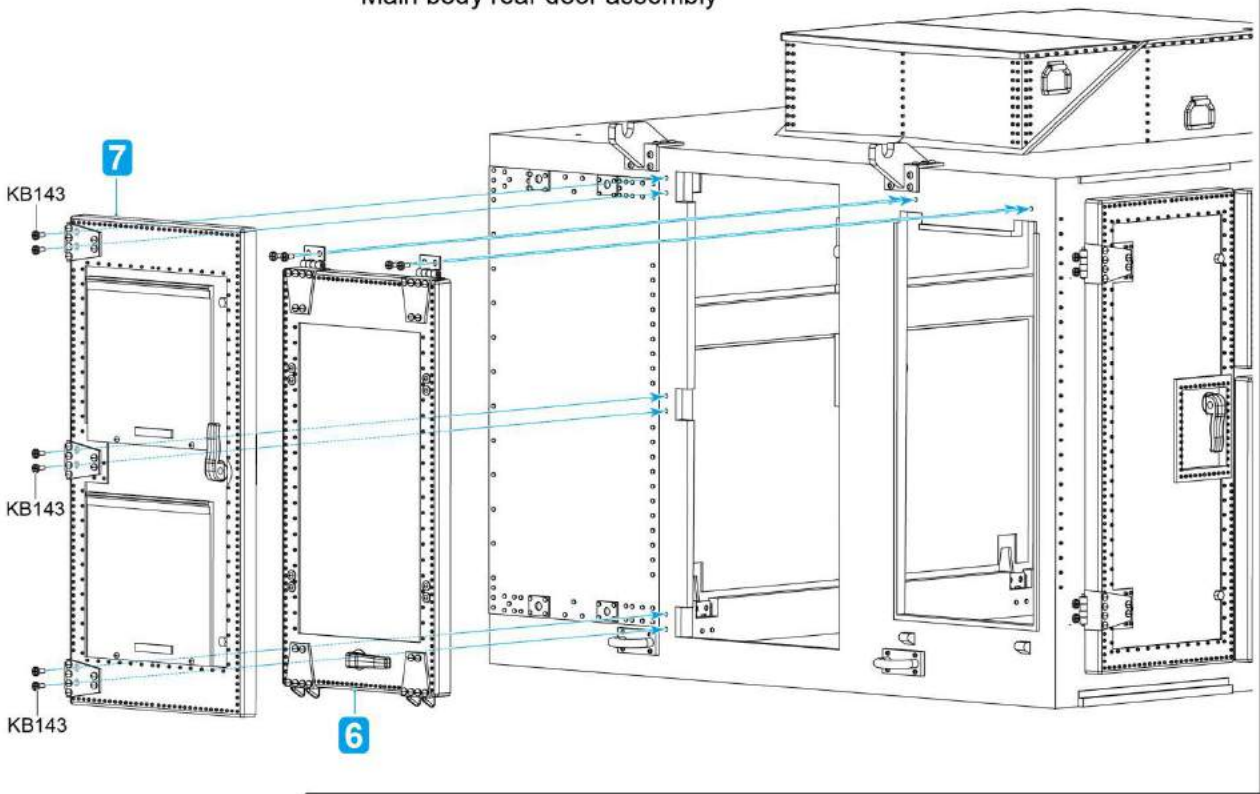


24

KB143 KB Ø1.4x3MM

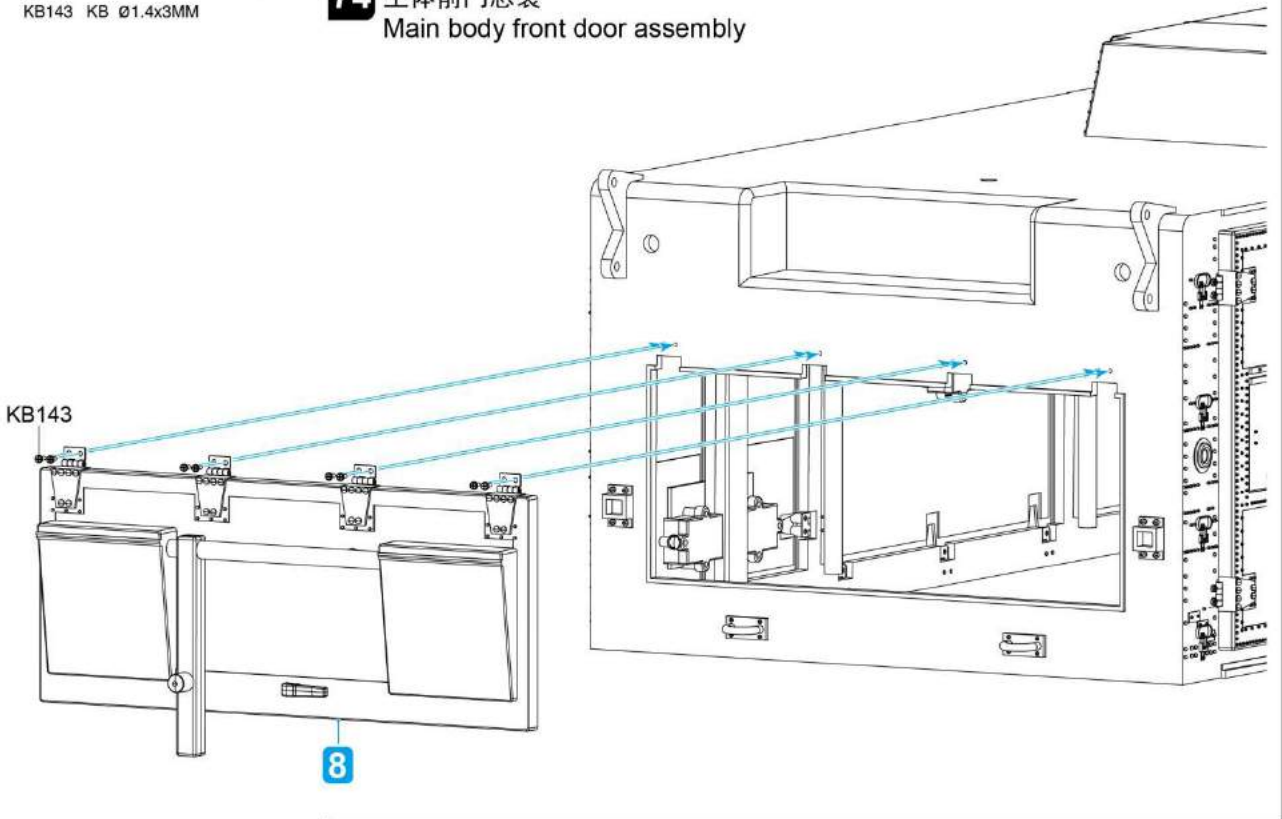
KB143 KB Ø1.4x3MM 10

73 主体后门总装 Main body rear door assembly

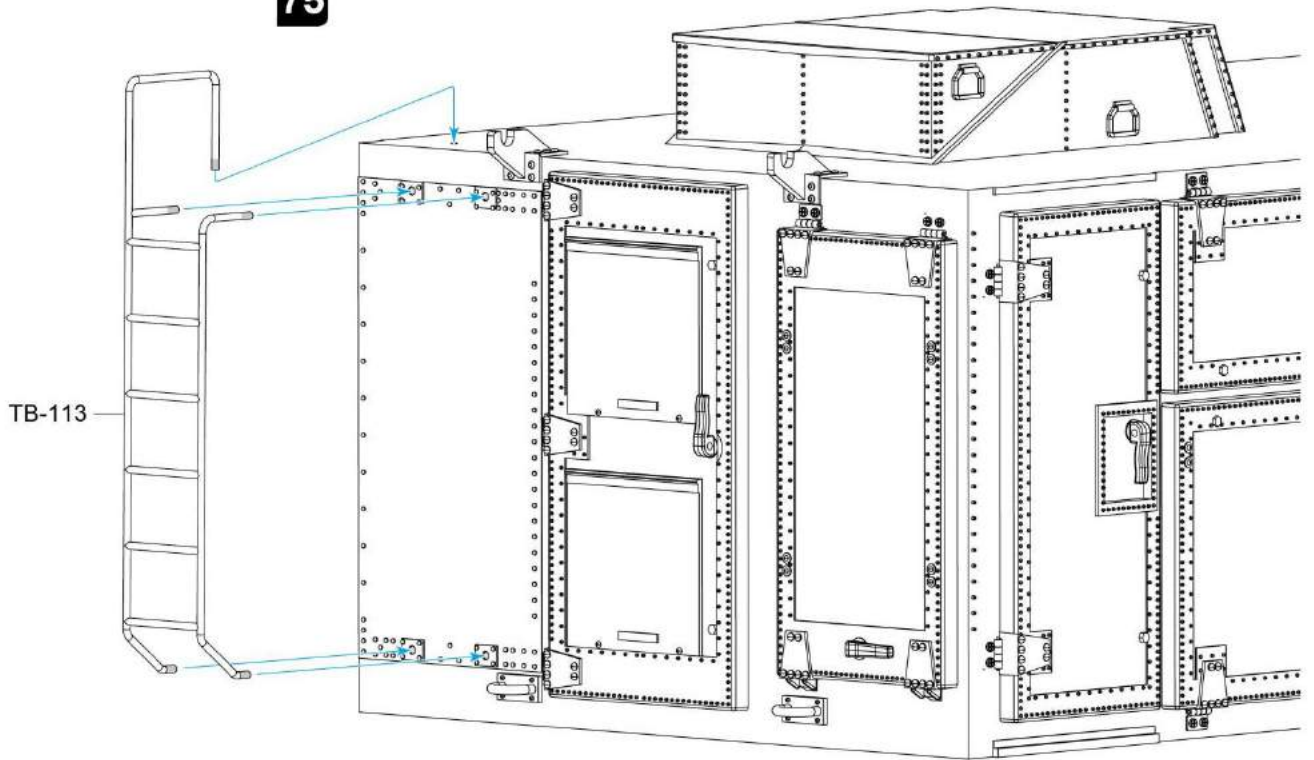


KB143 KB Ø1.4x3MM 8

74 主体前门总装 Main body front door assembly

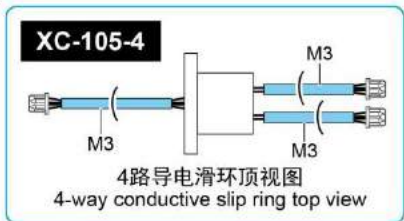
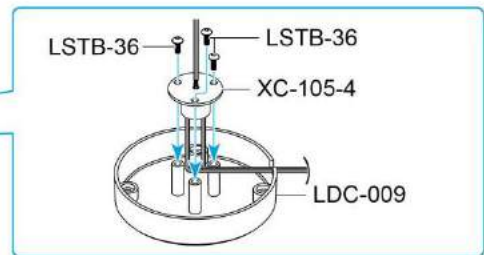
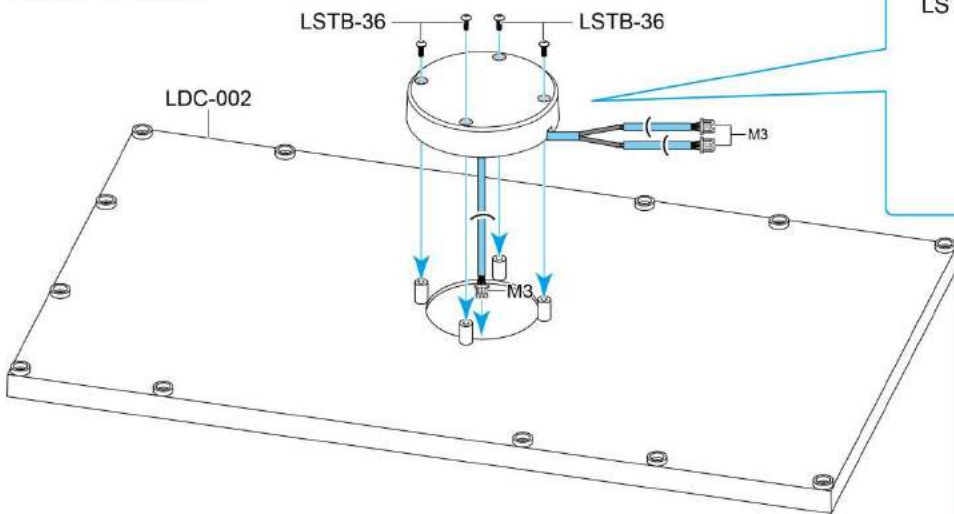


75



7
LSTB-36 TB Ø3x6MM

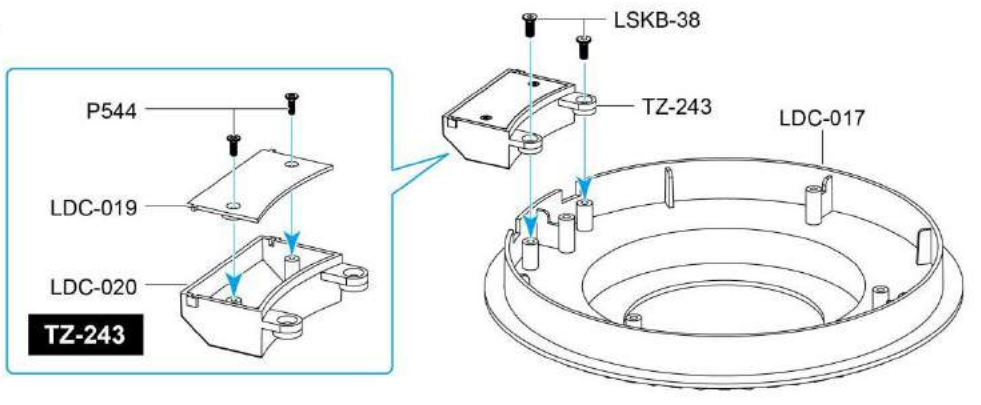
76



2
LSKB-38 KB Ø3x8MM

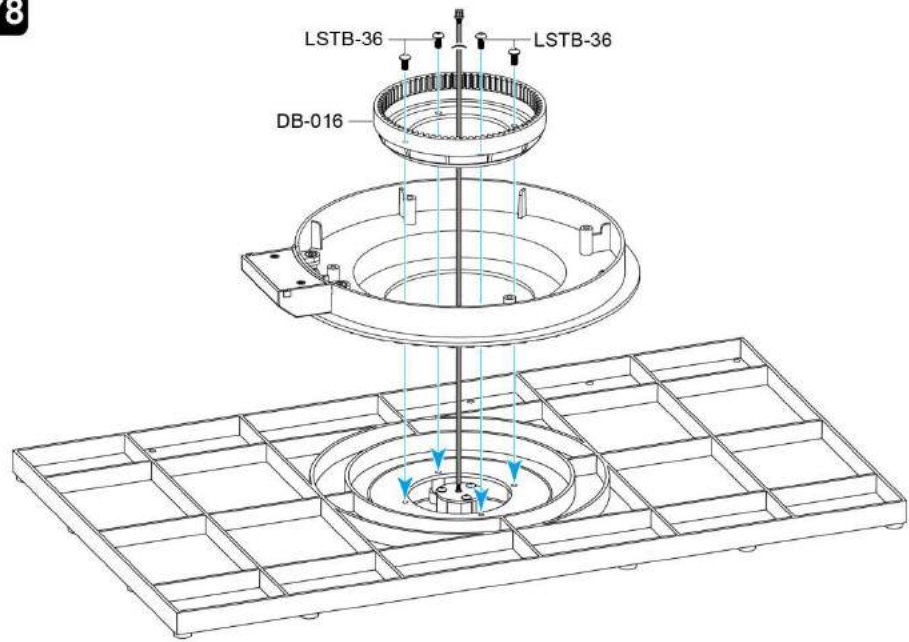
2
P544 KB Ø2x6MM

77




 4
 LSTB-36 TB Ø3x6MM

78



 4
 LS001 TM Ø3x6MM

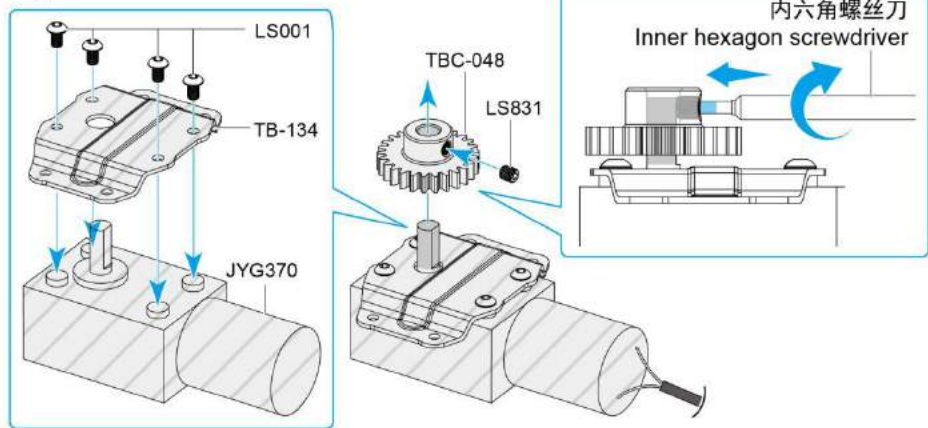
 1
 LS831 Ø4x4MM



此配件出厂时已组装完成，
 组装图只是提供组装过程，
 可用于维护配件。

This accessory was assembled
 at the factory, and the assembly
 diagram simply provides the
 assembly process, can be
 used to maintain accessories.

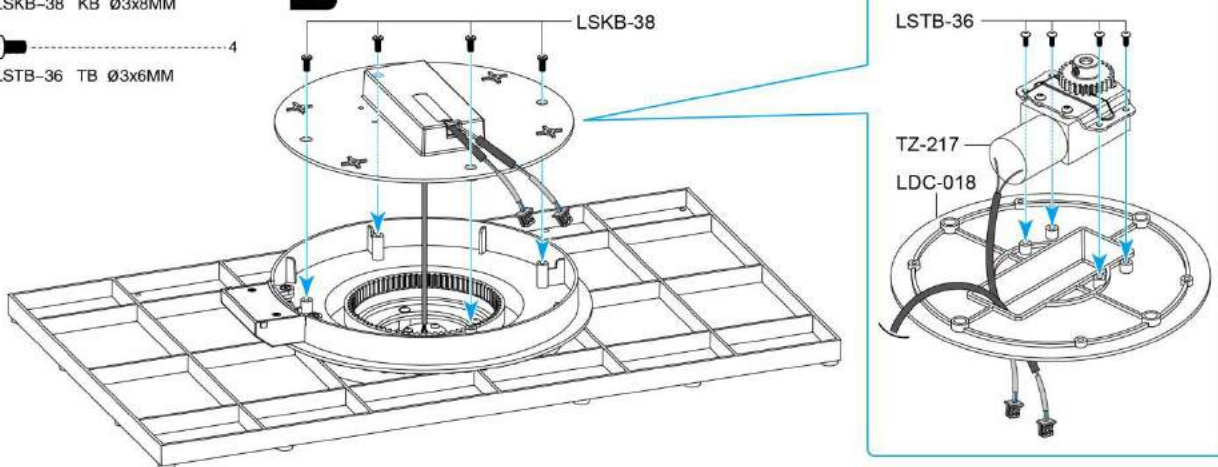
79



 4
 LSKB-38 KB Ø3x8MM

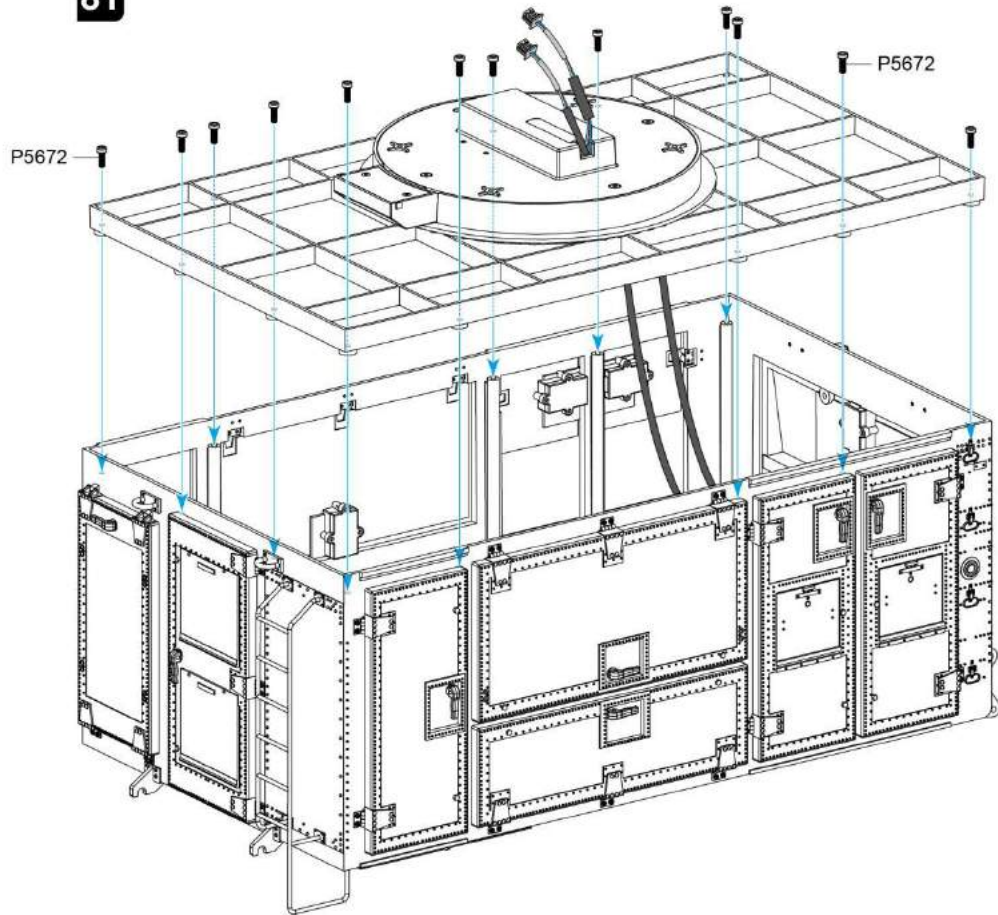
 4
 LSTB-36 TB Ø3x6MM

80



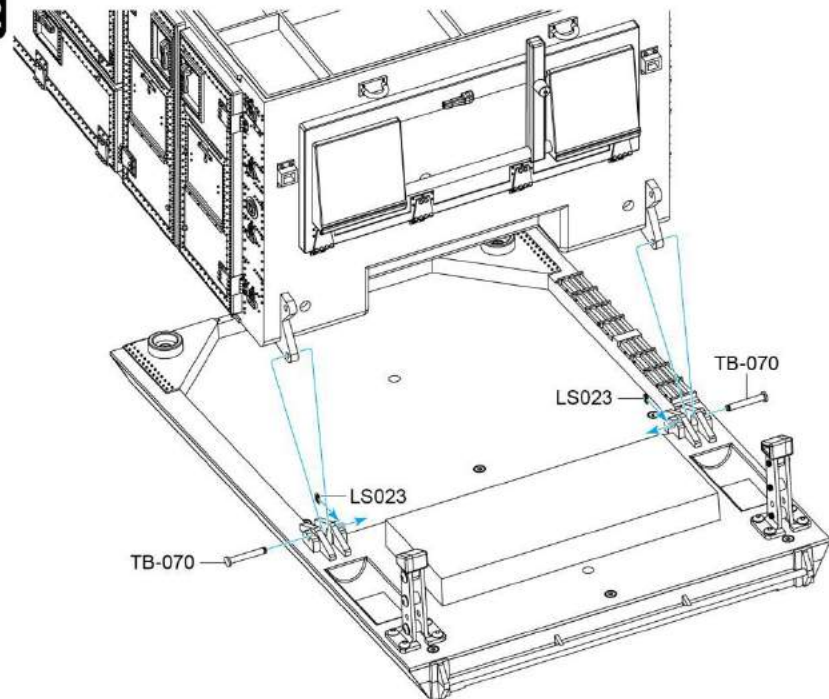
12
P5672 HB Ø3x8MM



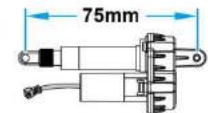
81



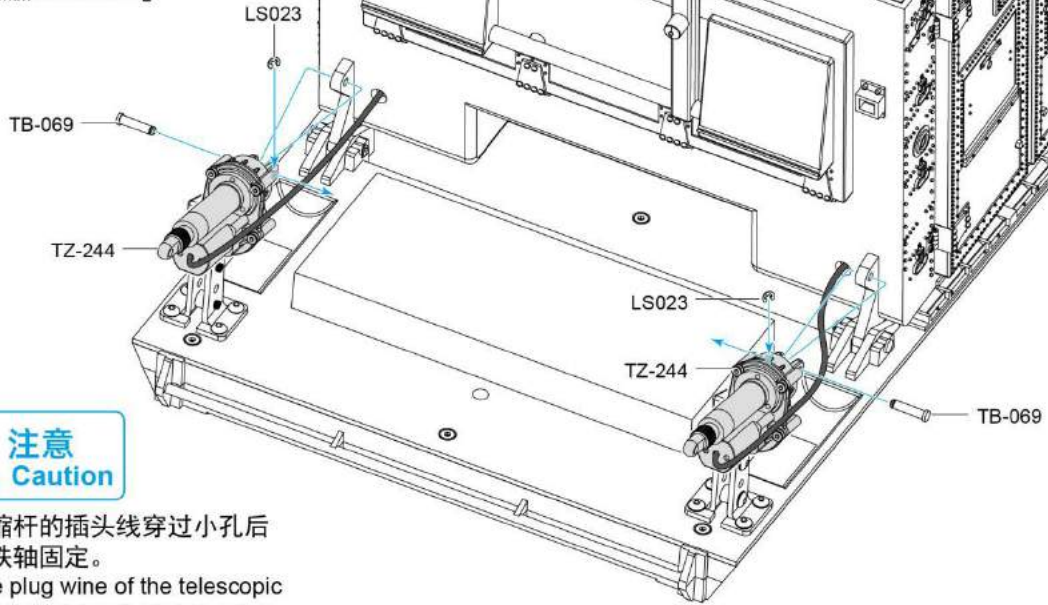
2
TB-070 Ø3x22mm
2
LS023 Ø2mm

82



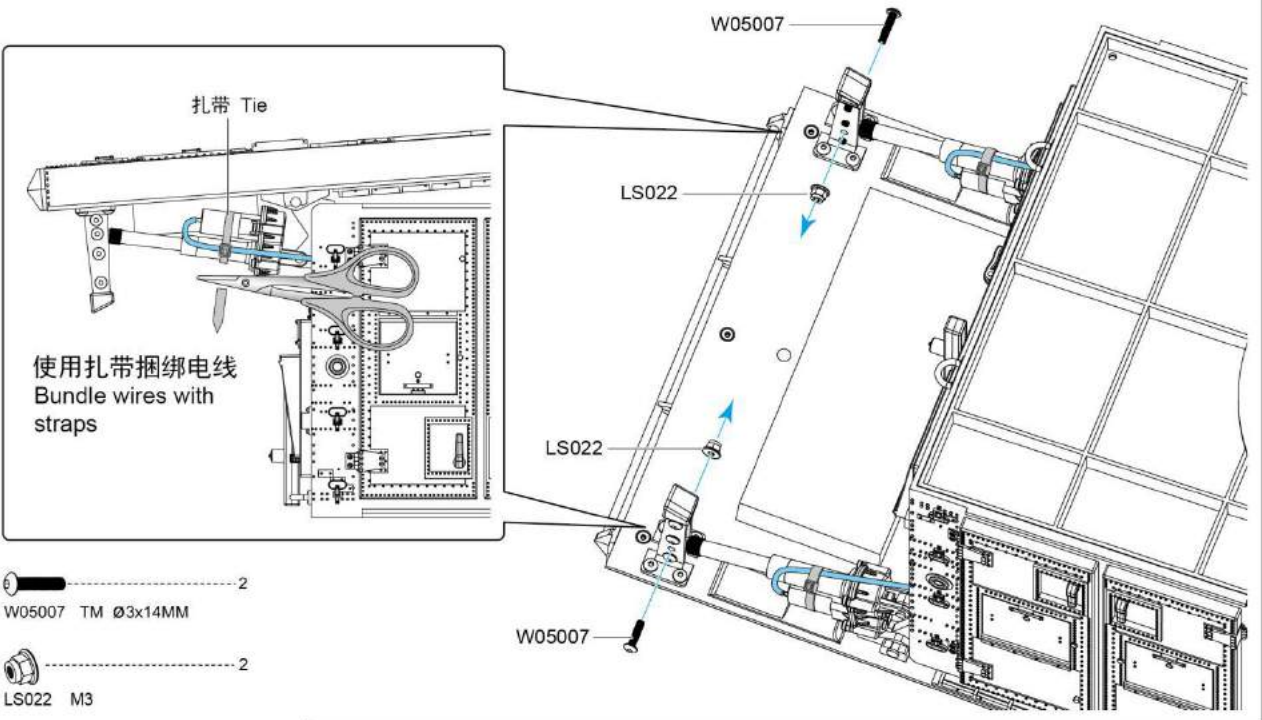
-  2
TB-069 $\varnothing 3 \times 14 \text{mm}$
-  2
LS023 $\varnothing 2 \text{mm}$
-  2
TZ-244 $\varnothing 75 \text{mm}$



83



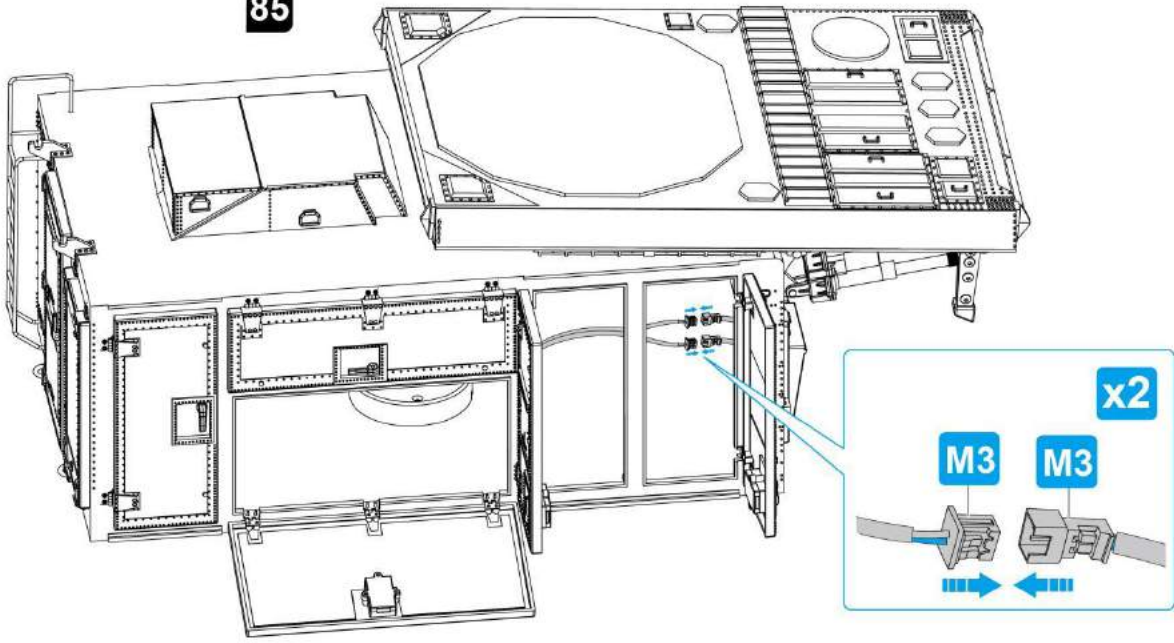
先将伸缩杆的插头线穿过小孔后再使用铁轴固定。
Pass the plug wire of the telescopic lever through the hole before using the iron shaft to secure it.

84

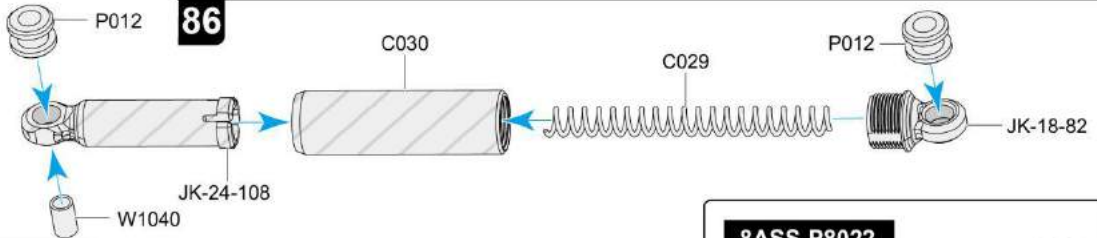


-  2
W05007 TM $\varnothing 3 \times 14 \text{MM}$
-  2
LS022 M3

85

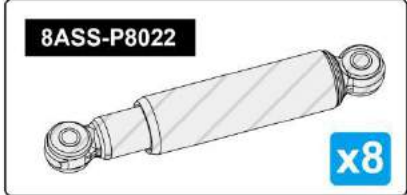


86



注意
Caution

此配件出厂时已组装完成，组装图只是提供组装过程，可用于维护配件。
This accessory was assembled at the factory, and the assembly diagram simply provides the assembly process, can be used to maintain accessories.

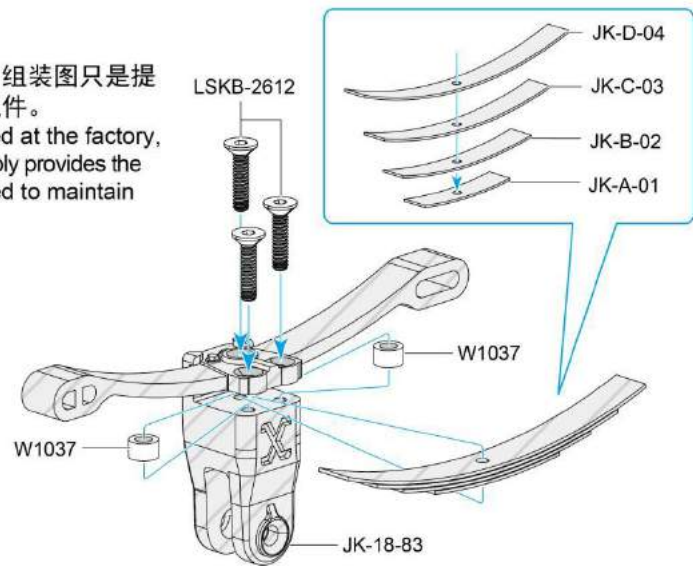
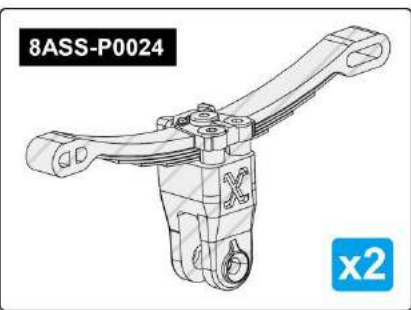


87

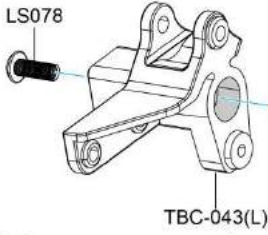
LSKB-2612 KB Ø2.6x12mm

注意
Caution

此配件出厂时已组装完成，组装图只是提供组装过程，可用于维护配件。
This accessory was assembled at the factory, and the assembly diagram simply provides the assembly process, can be used to maintain accessories.



LS078



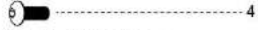
88

TB-063

TBC-044(R)

x2

TBC-043(L)



LS078 TM Ø3x8mm

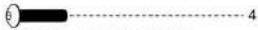


TB-063 Ø8x122mm

LS078



LS078 TM Ø3x8mm



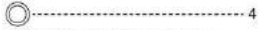
W05007 TM Ø3x14MM



TB-201 42mm

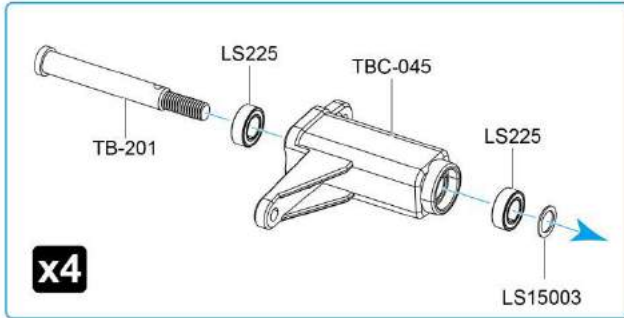
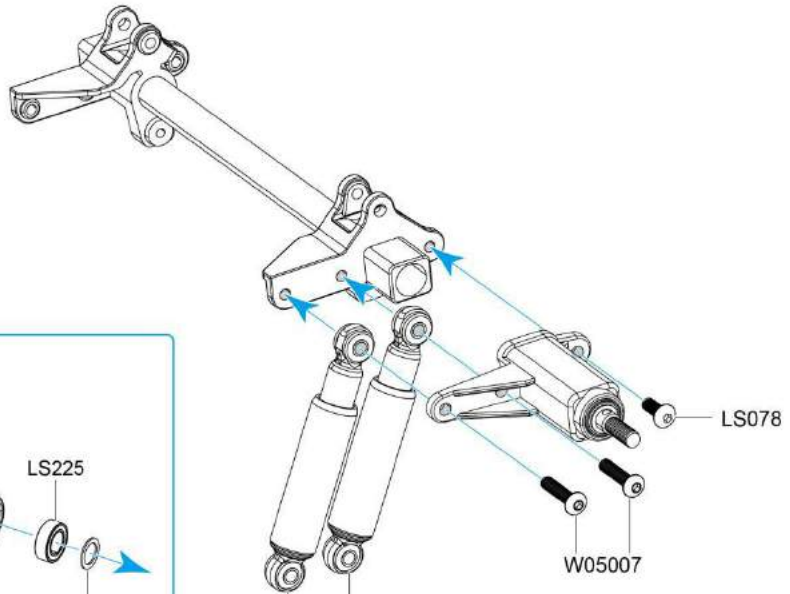


LS225 Ø5xØ9x3mm



LS15003 Ø5.1XØ7X0.4mm

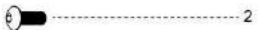
89



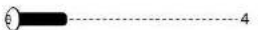
x4

8ASS-P8022

x2

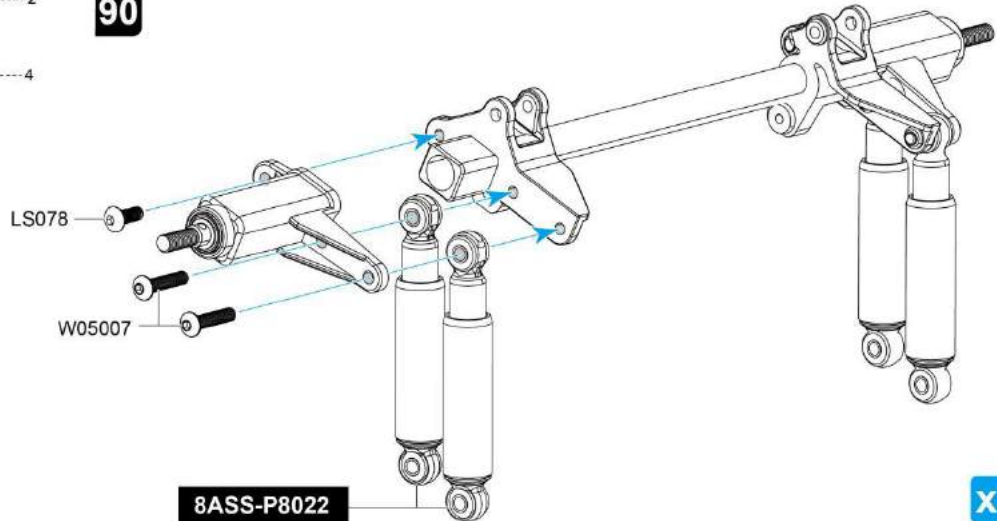


LS078 TM Ø3x8mm



W05007 TM Ø3x14MM

90



8ASS-P8022

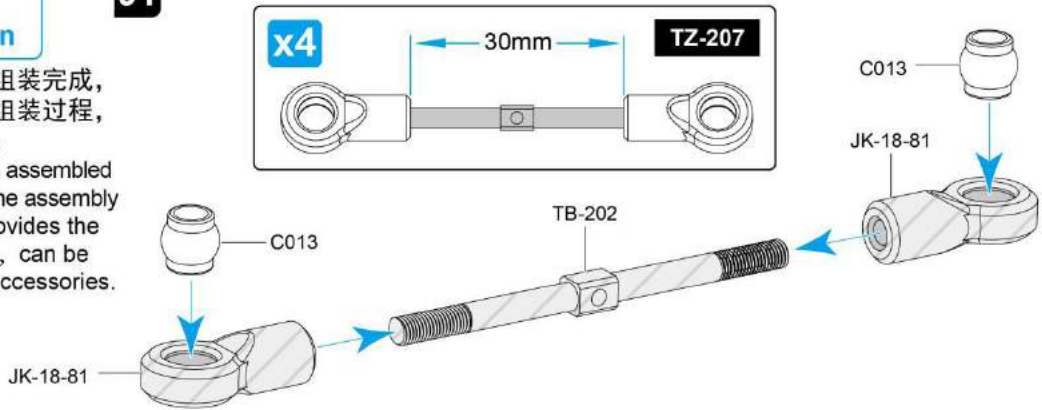
x2



此配件出厂时已组装完成，
 组装图只是提供组装过程，
 可用于维护配件。

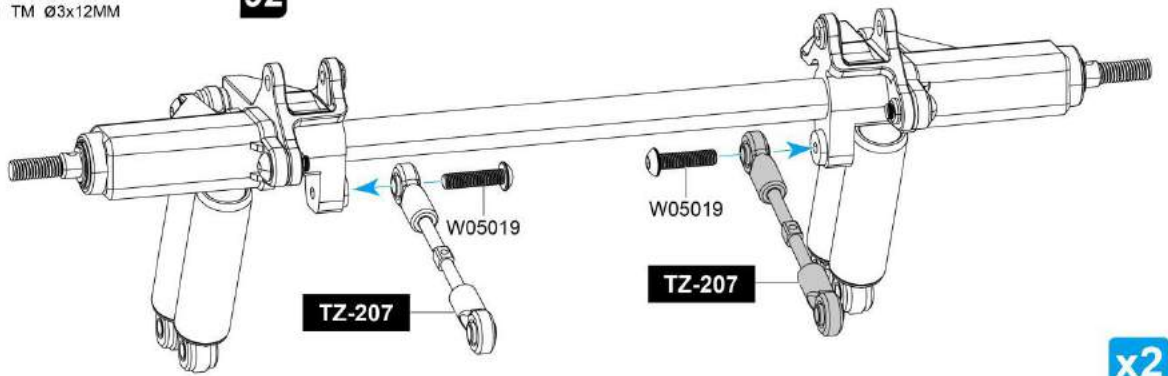
This accessory was assembled
 at the factory, and the assembly
 diagram simply provides the
 assembly process, can be
 used to maintain accessories.

91

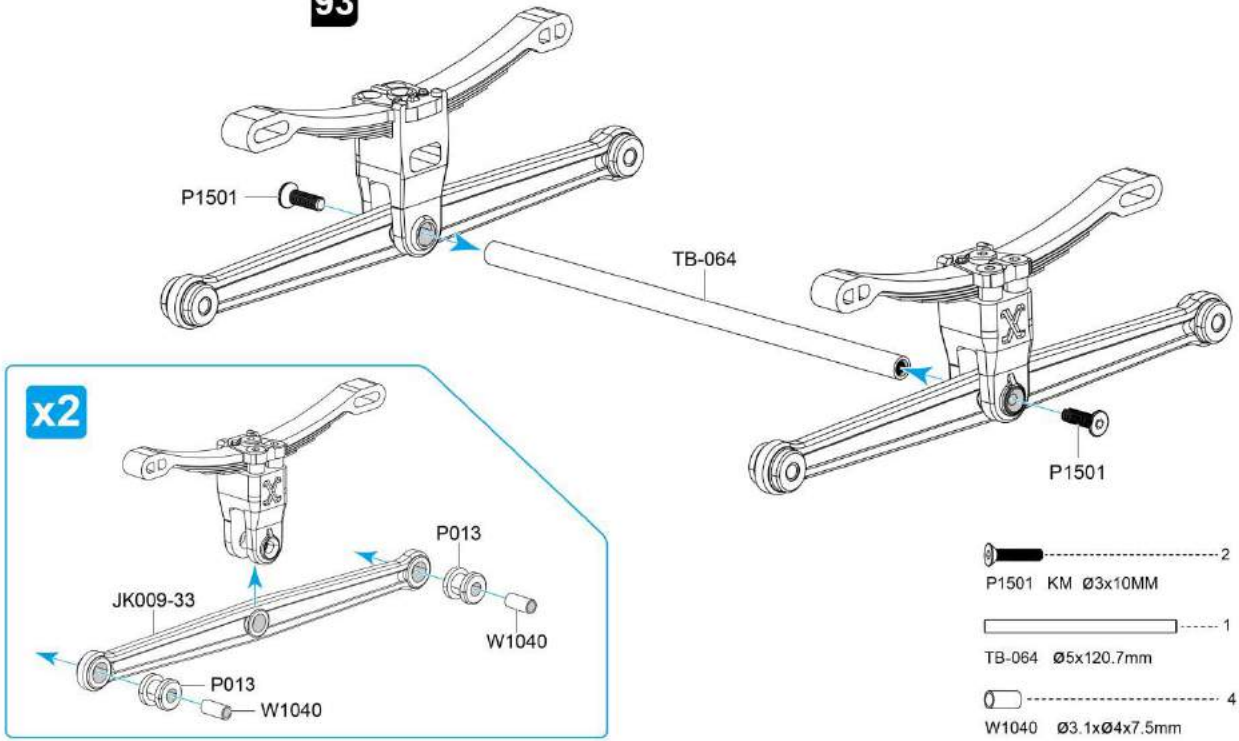



W05019 TM $\varnothing 3 \times 12 \text{MM}$

92

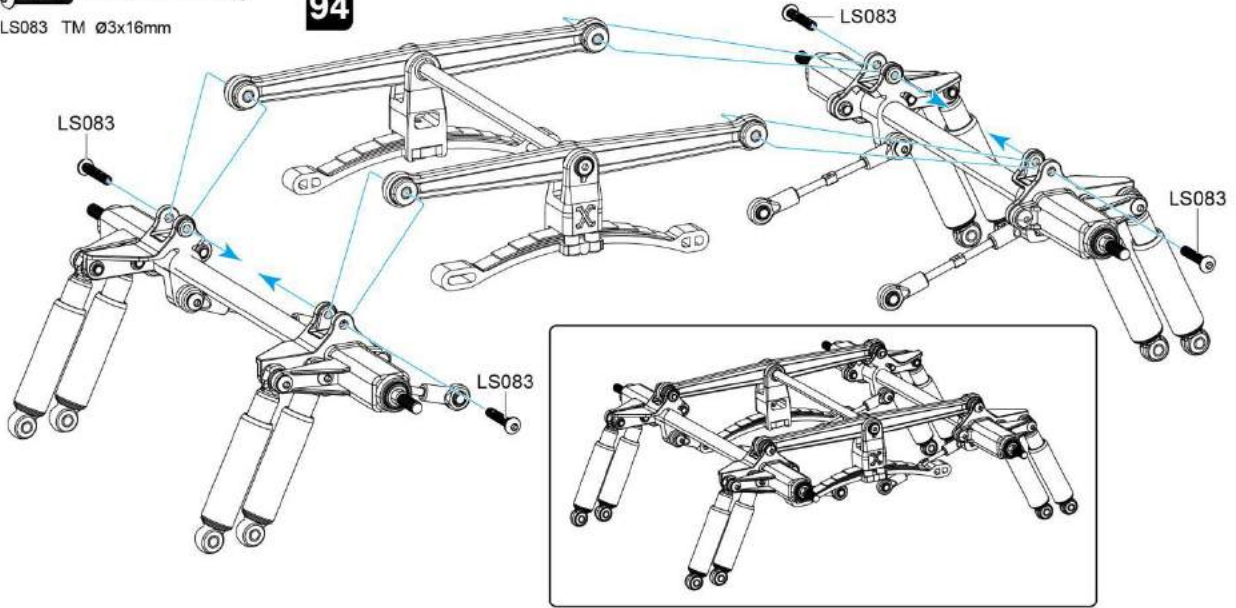



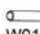

93



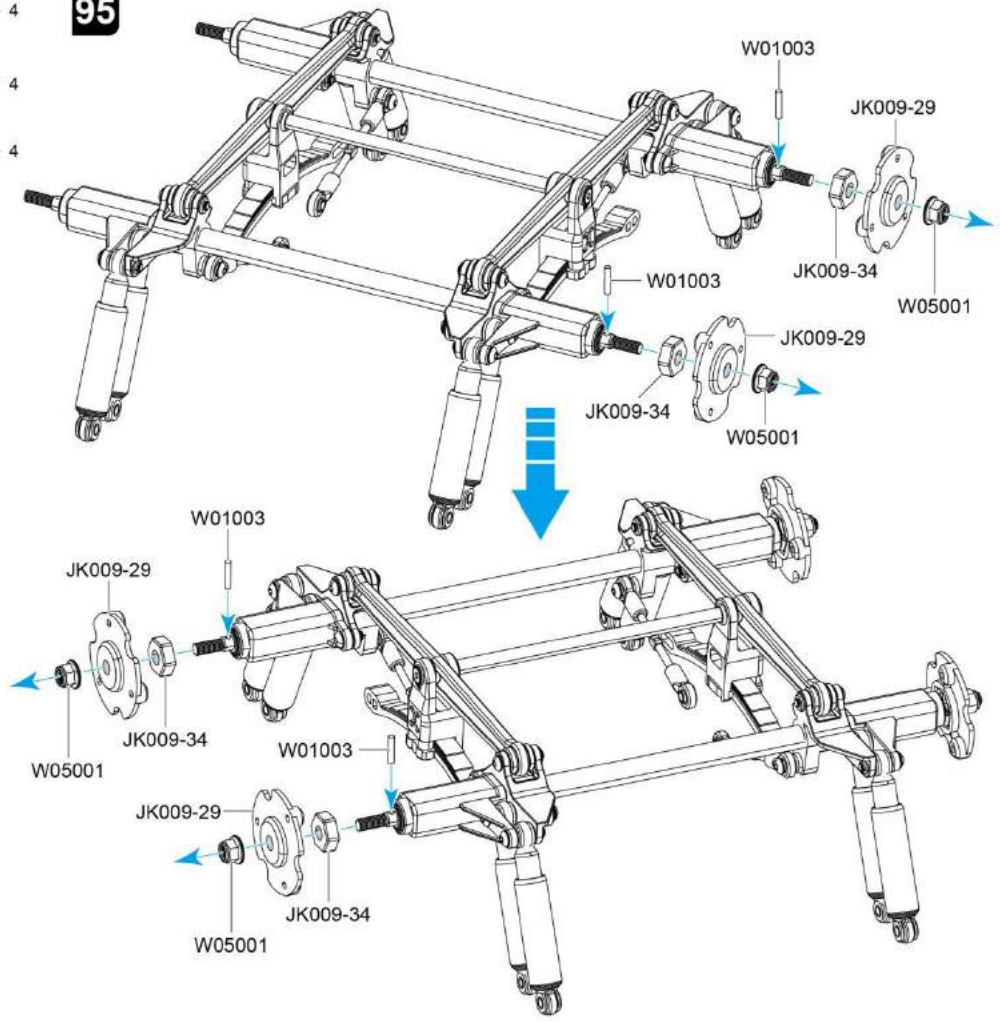
 4
 LS083 TM Ø3x16mm

94



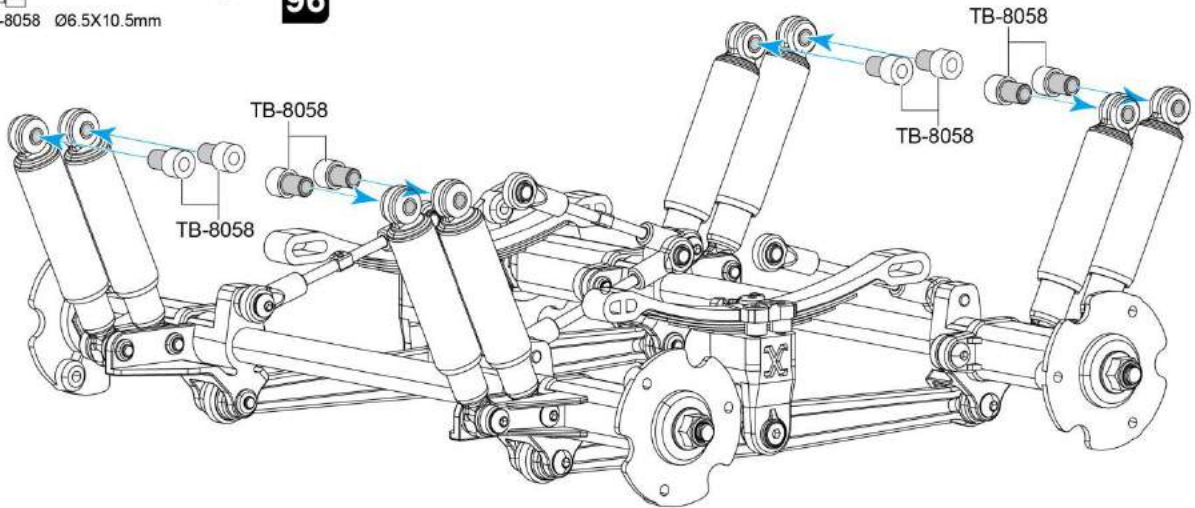
 4
 W05001 M4
 4
 W01003 Ø2x10mm
 4
 JK009-34 12mm

95



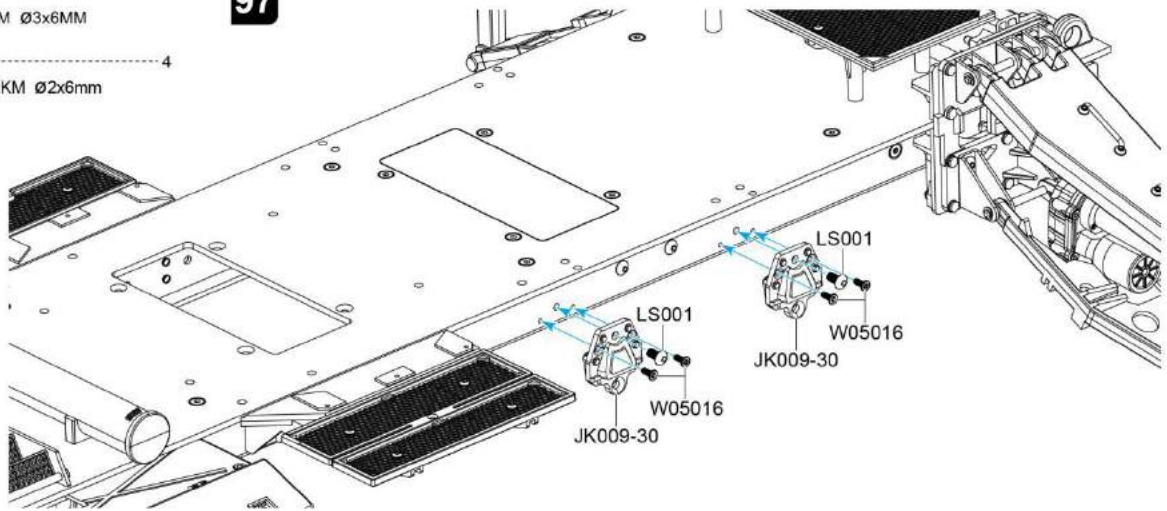
 8
 TB-8058 Ø6.5X10.5mm

96

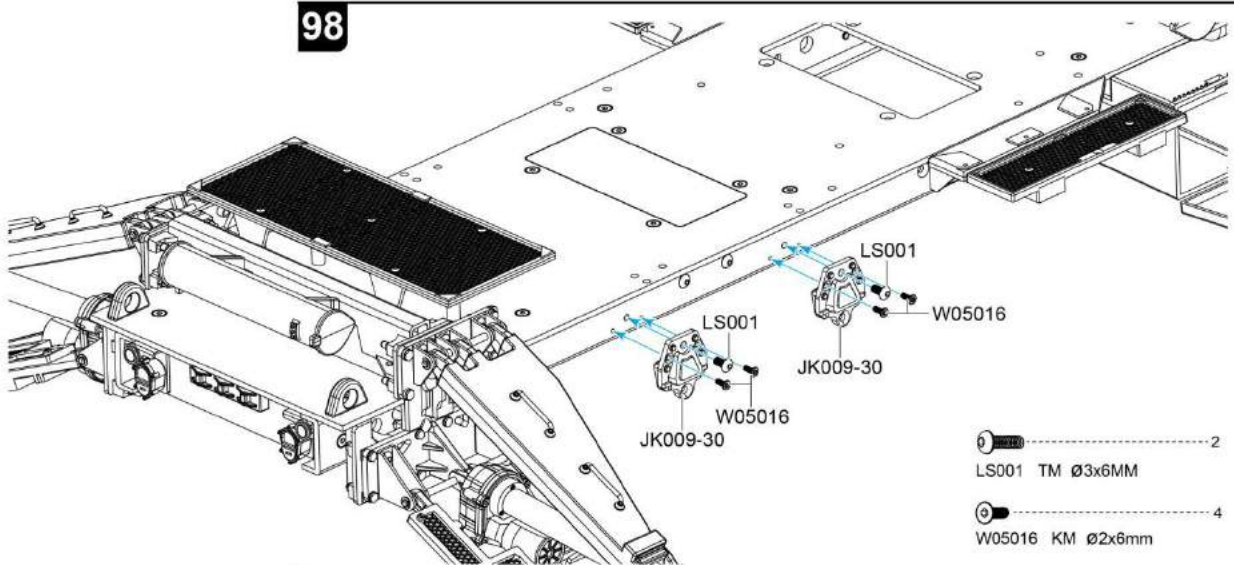


 2
 LS001 TM Ø3x6MM
 4
 W05016 KM Ø2x6mm

97

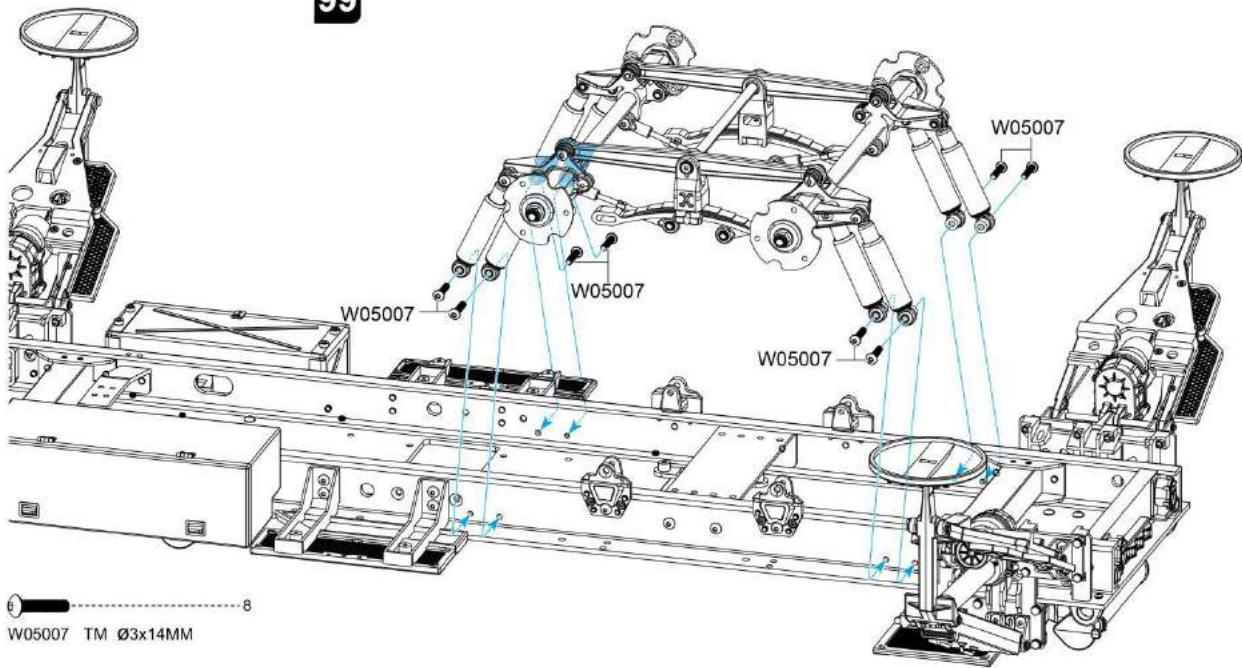


98



 2
 LS001 TM Ø3x6MM
 4
 W05016 KM Ø2x6mm

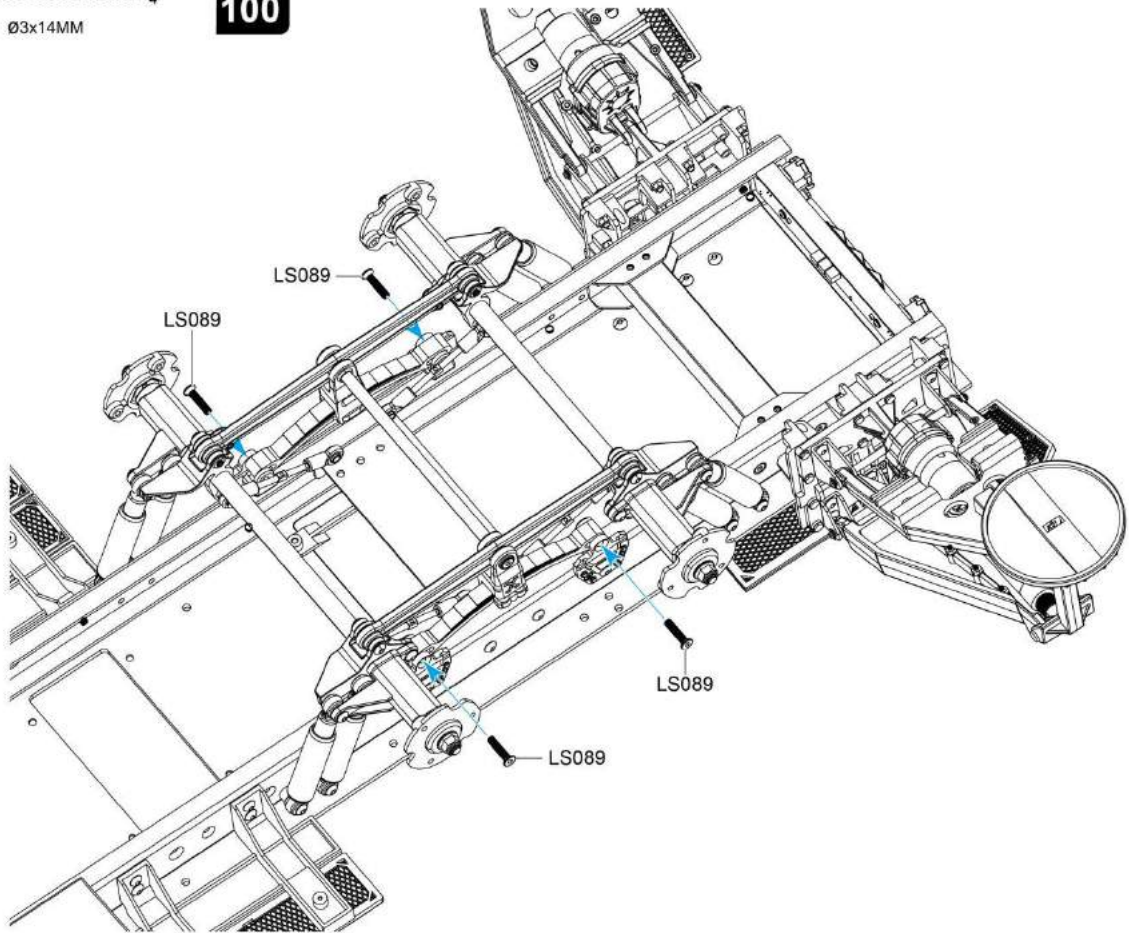
99



W05007 TM Ø3x14MM

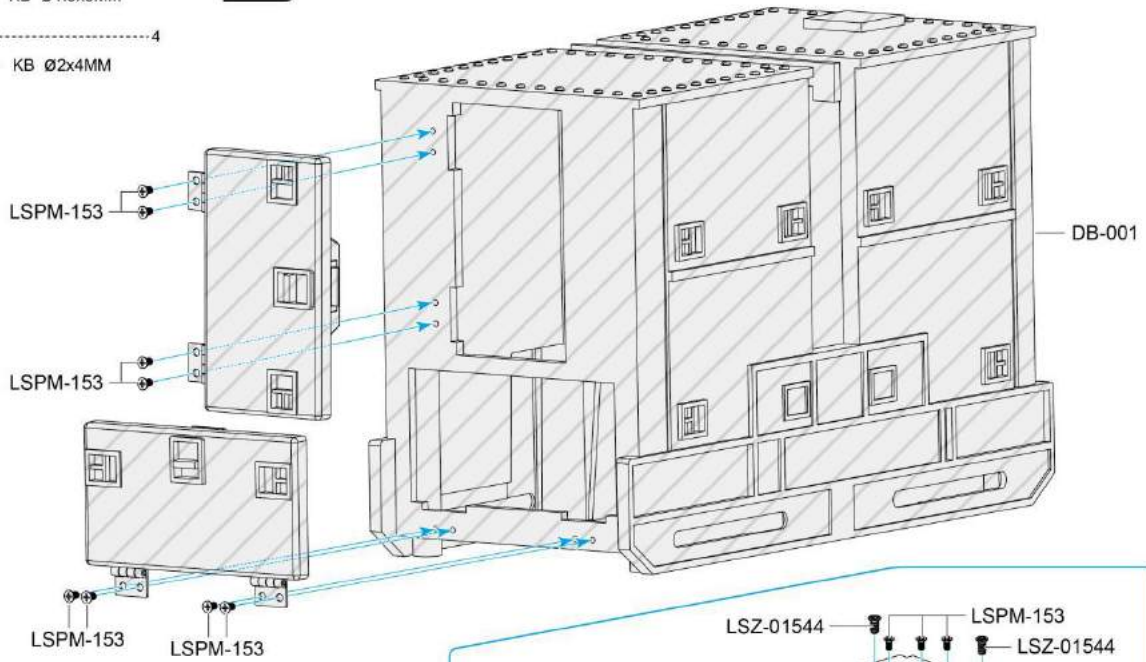
100

LS089 KM Ø3x14MM

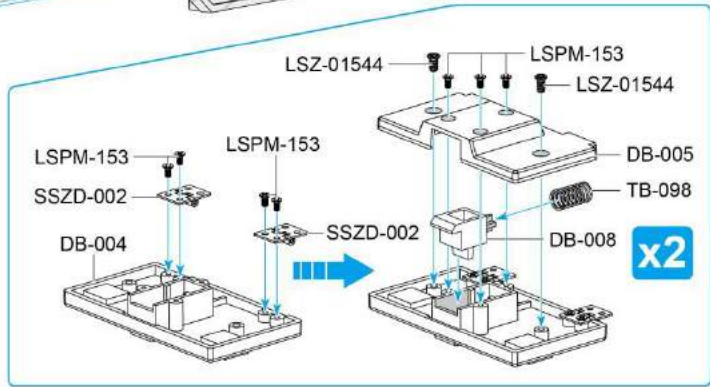



- 22
LSPM-153 KB Ø1.5x3MM
- 4
LSZ-01544 KB Ø2x4MM

101

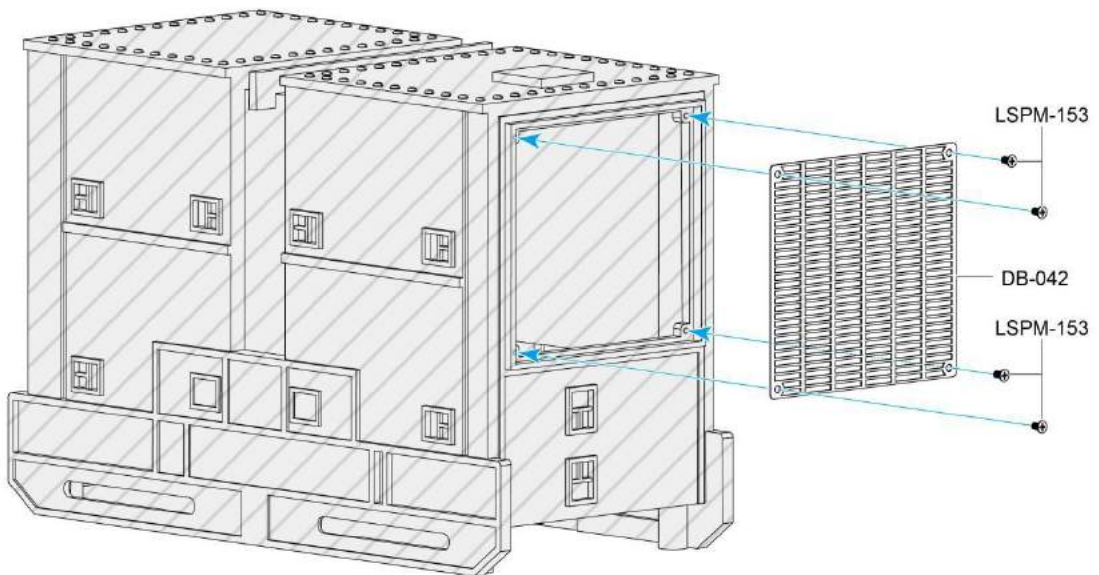


此配件出厂时已组装完成，组装图只是提供组装过程，可用于维护配件。
This accessory was assembled at the factory, and the assembly diagram simply provides the assembly process, can be used to maintain accessories.



- 4
LSPM-153 KB Ø1.5x3MM

102

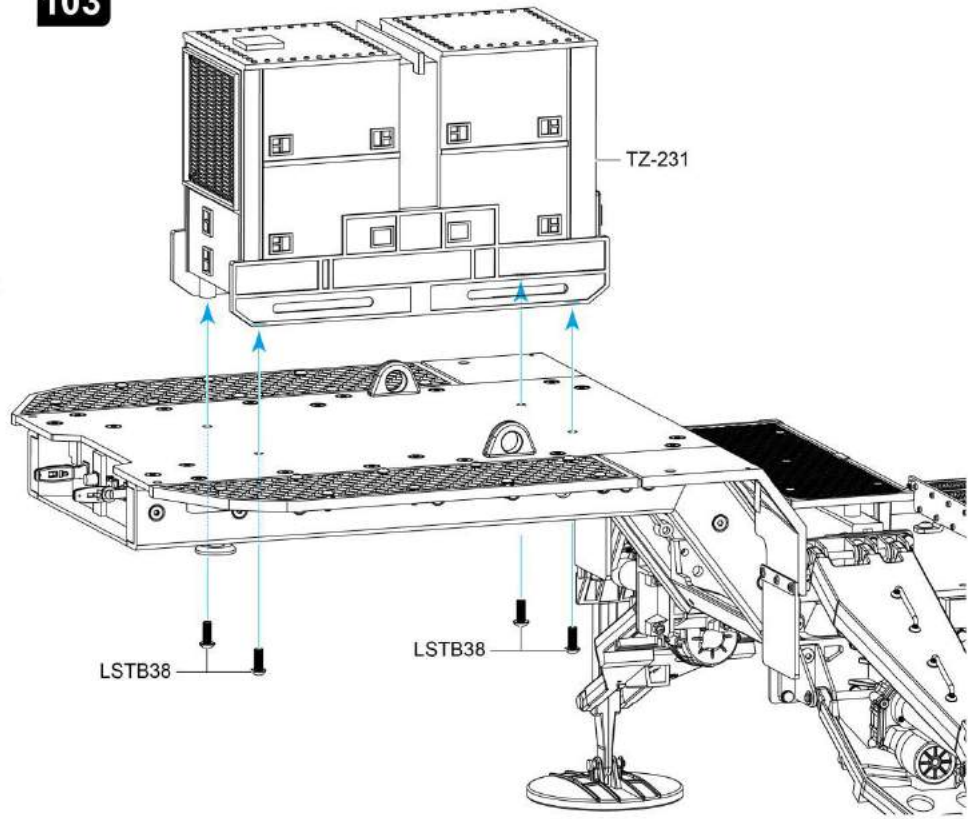


4
LSTB38 TB Ø3x8MM



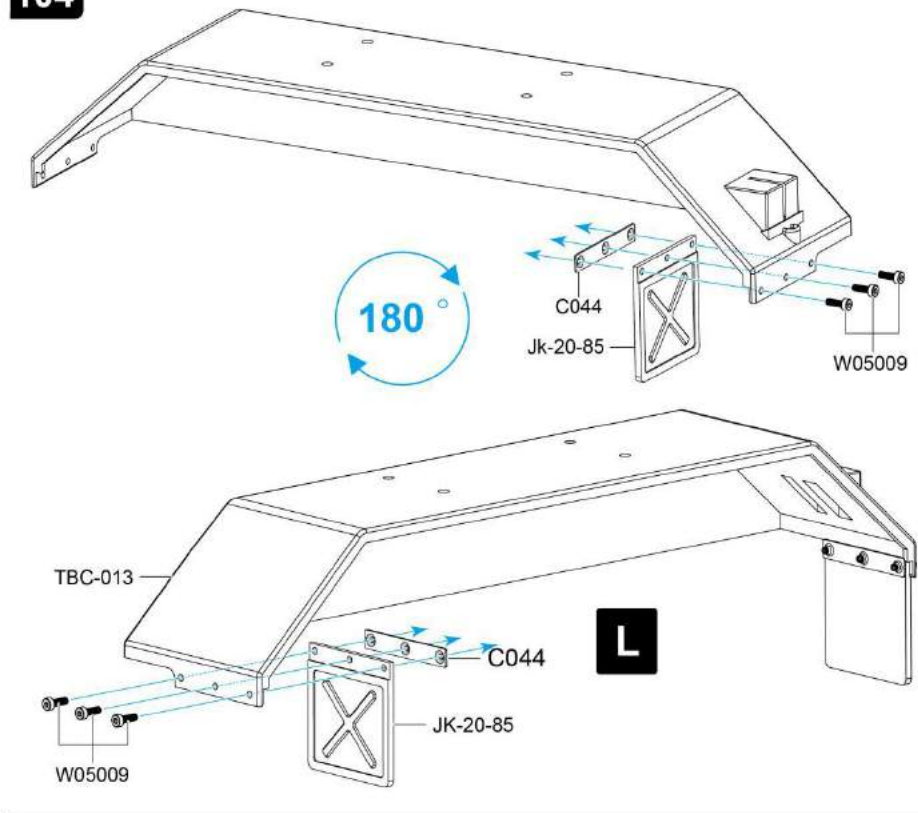
此步骤可根据个人喜好选择不装。
This step can be selected according to personal preferences not to install.

103



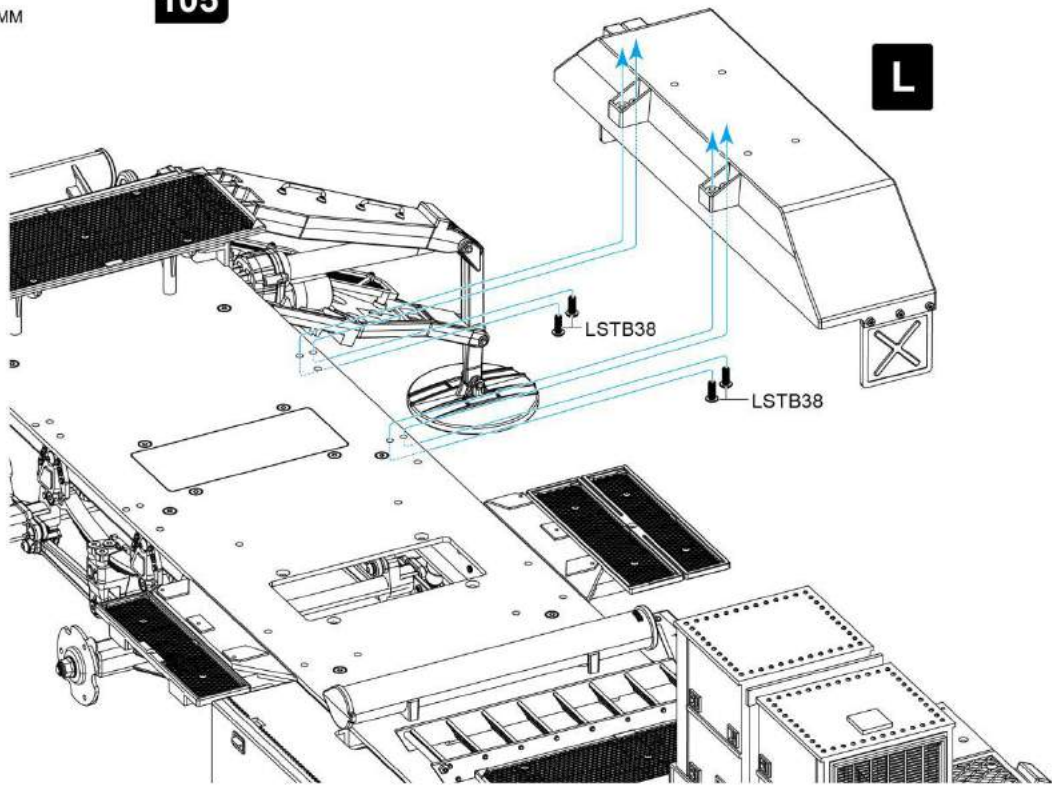
6
W05009 HM Ø2x6MM

104



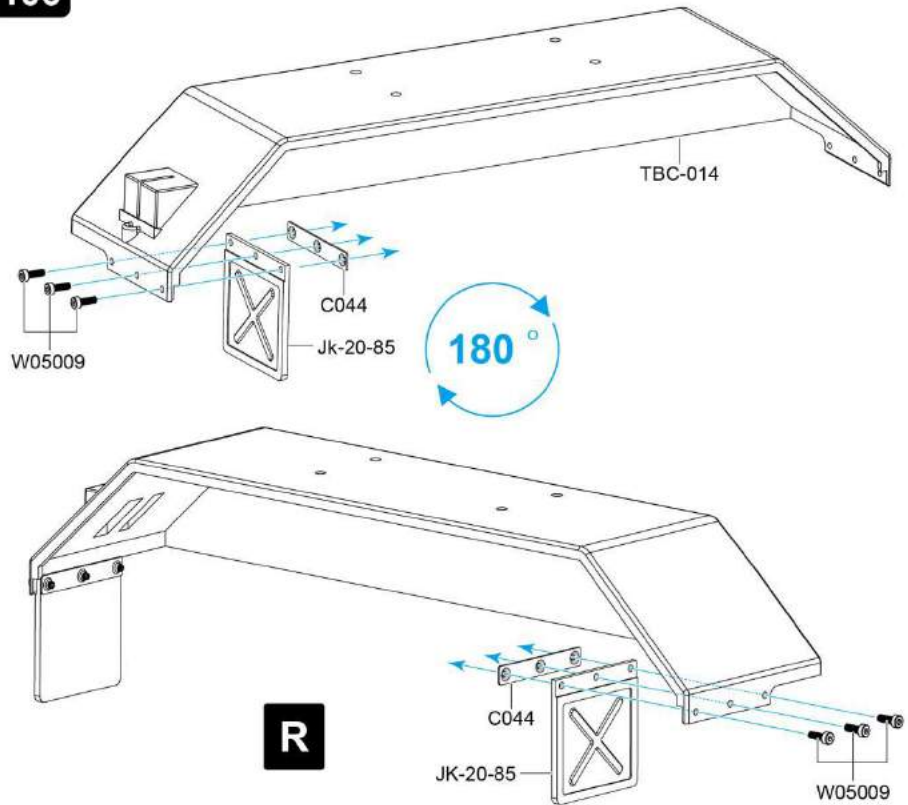
4
LSTB38 TB Ø3x8MM

105



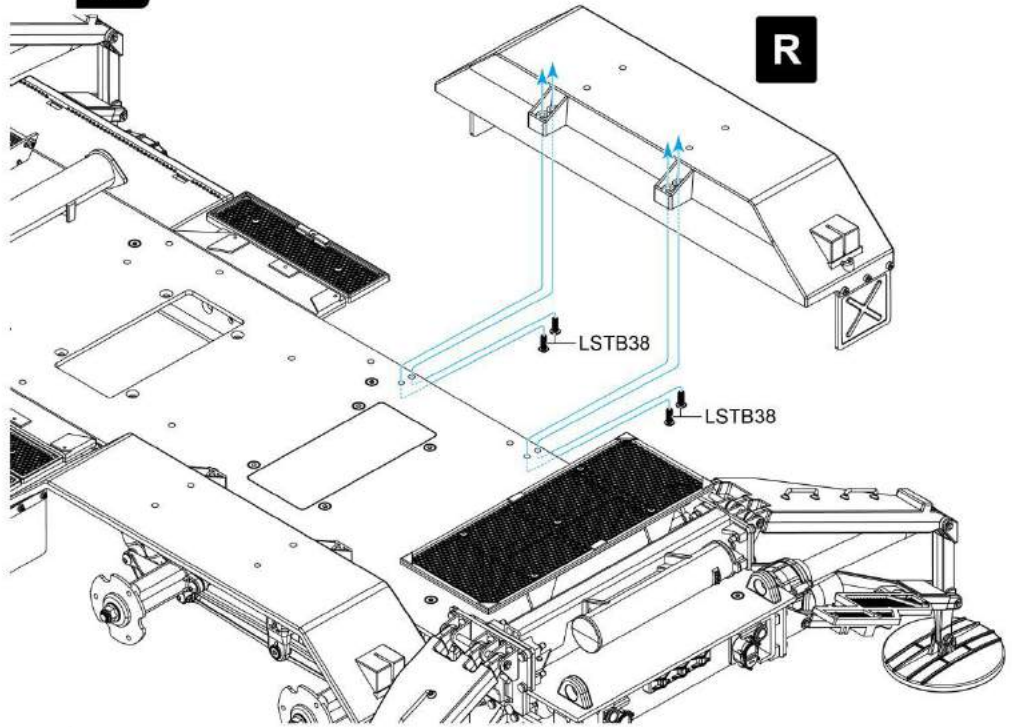
6
W05009 HM Ø2x6MM

106



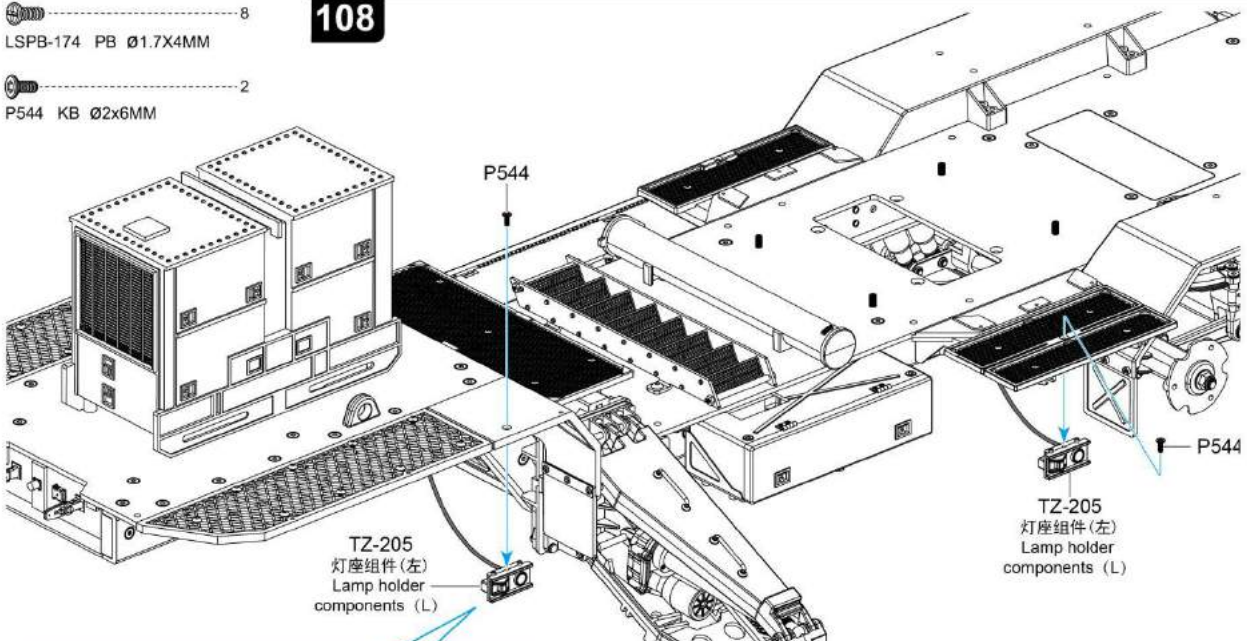
4
LSTB38 TB Ø3x8MM

107



8
LSPB-174 PB Ø1.7x4MM
2
P544 KB Ø2x6MM

108



x4

D2 红发红
D2 Red
emission red

LSPB-174

TBC-033

LSPB-174

TBC-005

TBC-034(L) /
TBC-034-1(R)

D1 白发黄
D1 White emission yellow

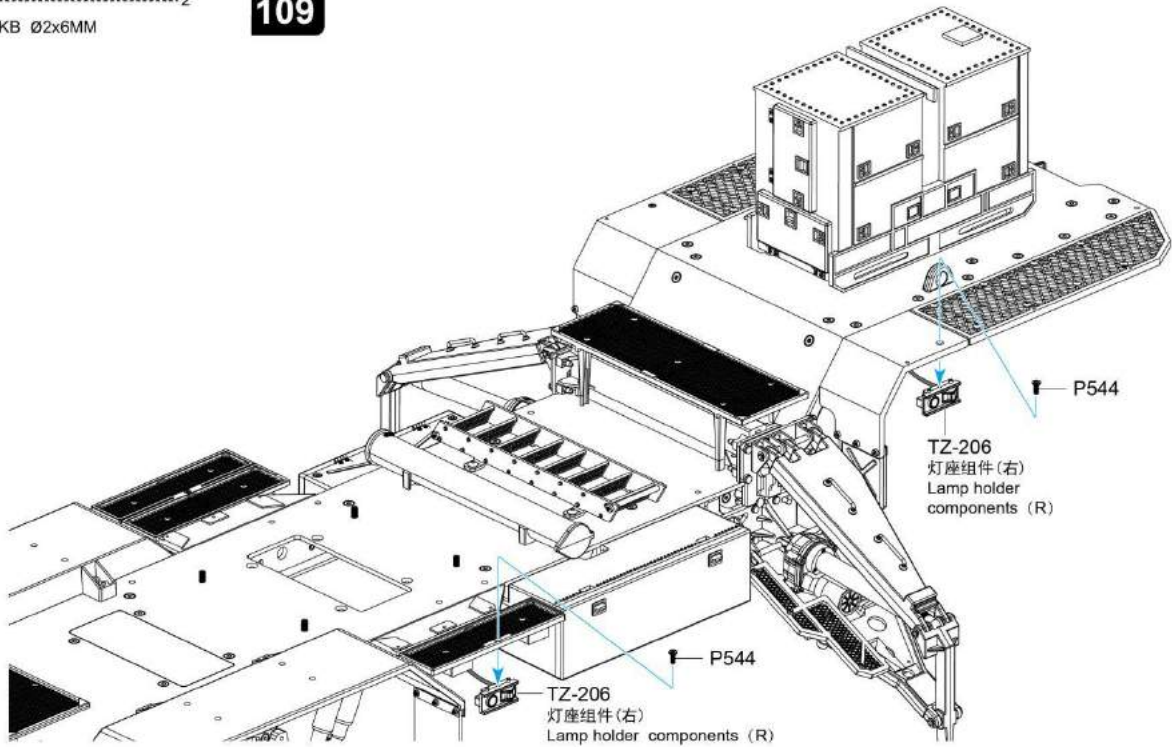
提示：左右各组装2个灯组，注意区分左右。
Tip: Assemble 2 light groups on the left and right, Distinguish between left and right.

4
TBC-004 黄色转向灯罩
Yellow turn lamp shade

4
TBC-005 红色雾灯罩
Red fog lampshade

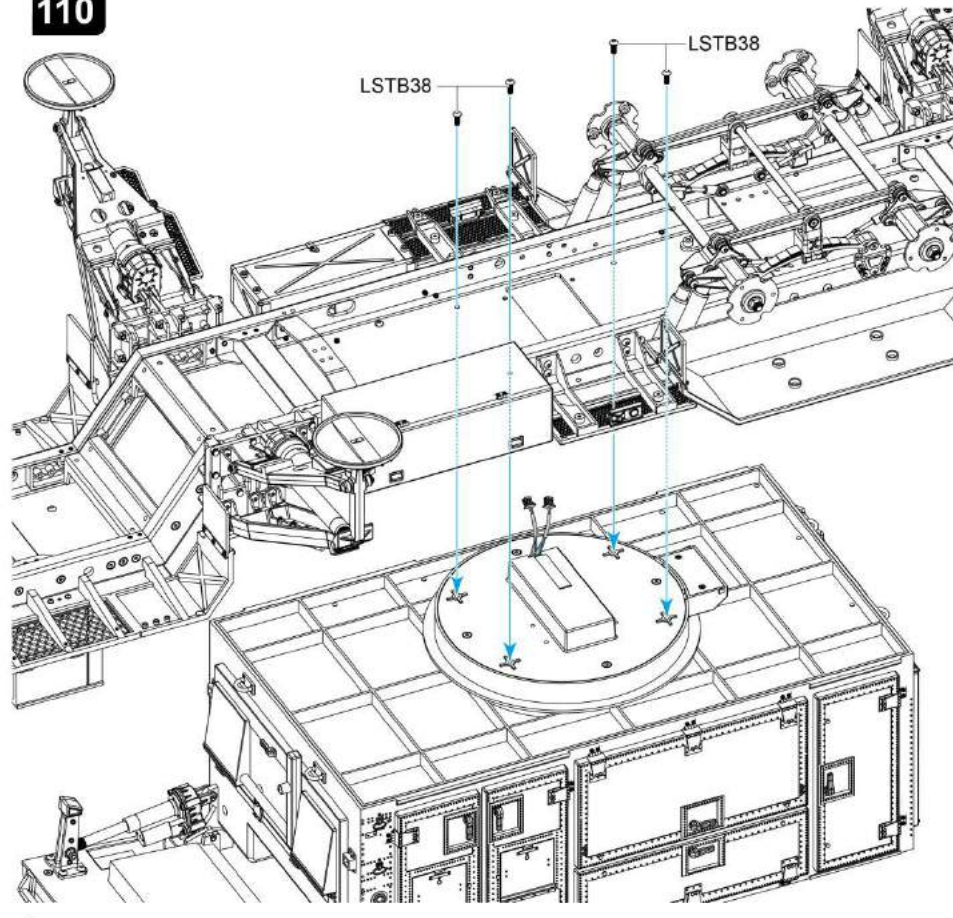
P544 KB Ø2x6MM 2

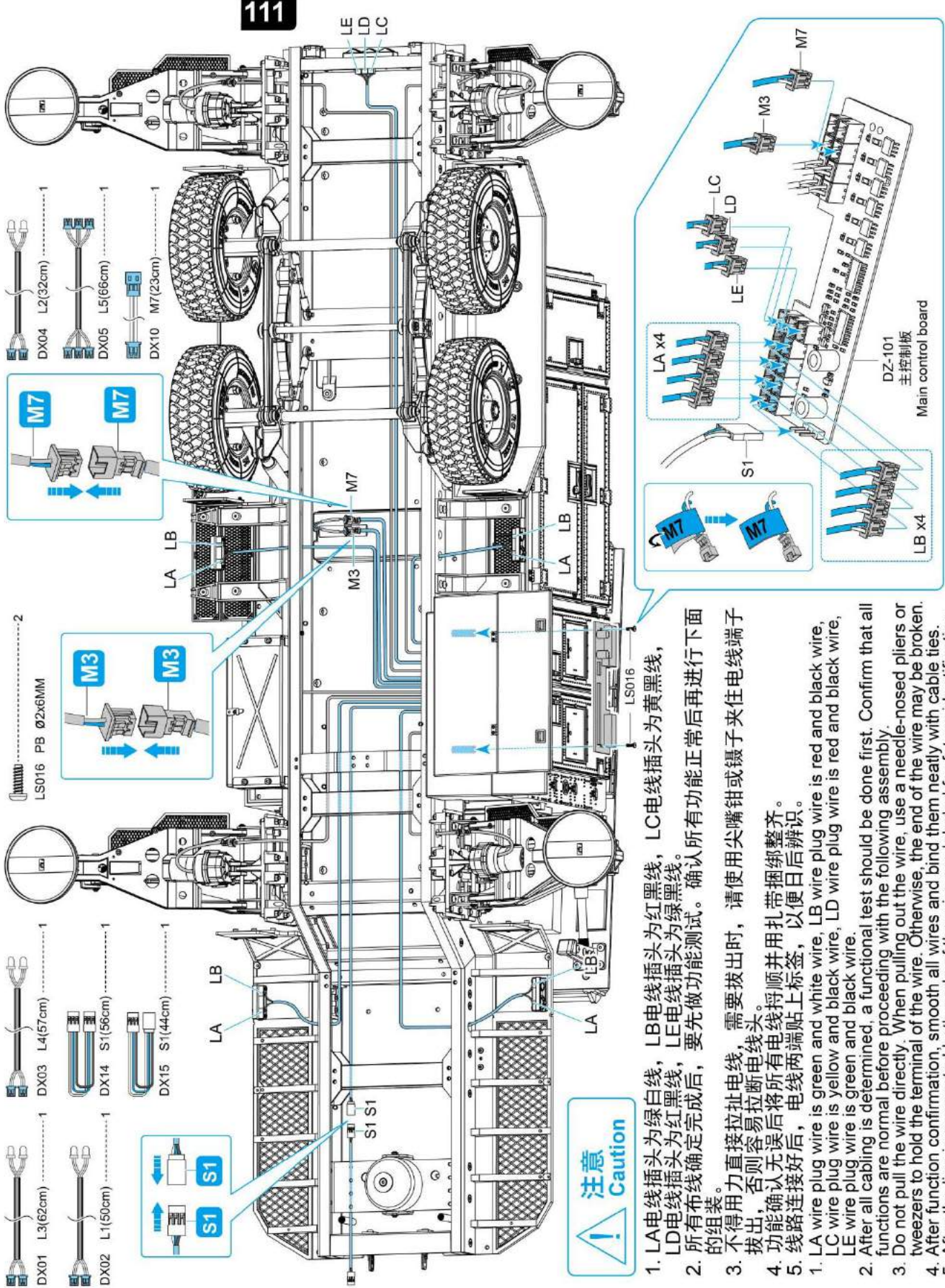
109



LSTB38 TB Ø3x8MM 4

110

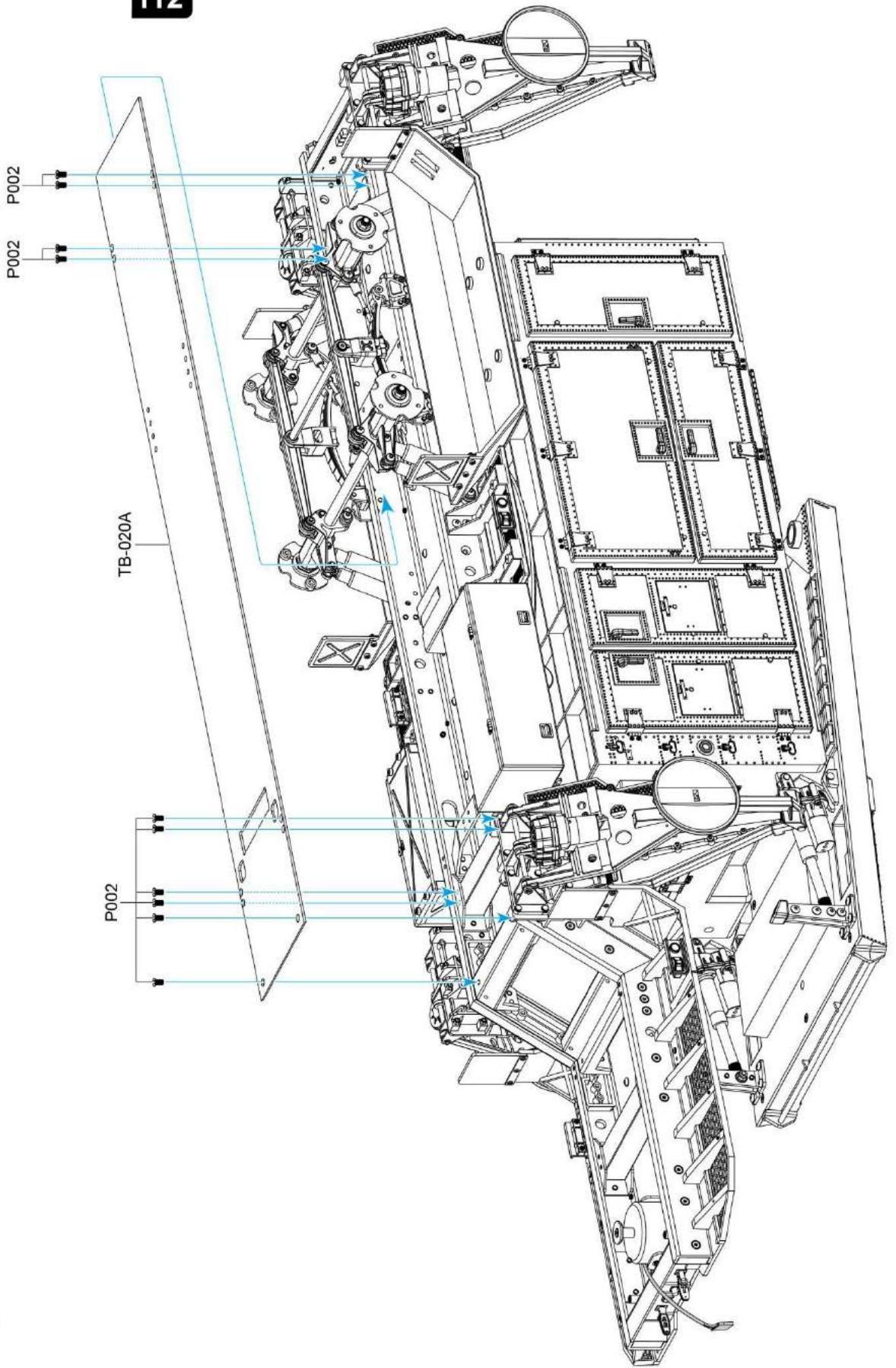




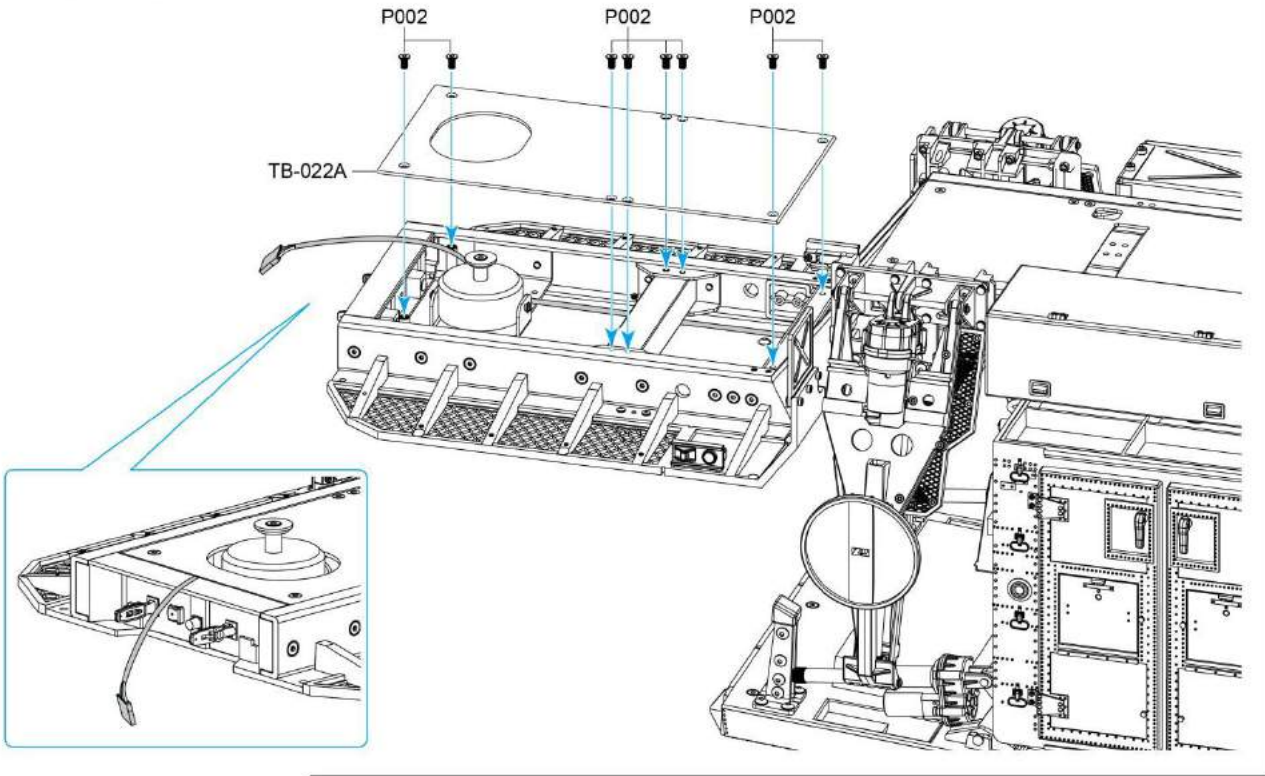
注意
Caution

1. LA电线插头为绿白线, LB电线插头为红黑线, LC电线插头为黄黑线, LD电线插头为红黑线, LE电线插头为绿黑线。
2. 所有布线确定完成后, 要先做功能测试。确认所有功能正常后再进行下面的组装。
3. 不得用力直接拉扯电线, 需要拔出时, 请使用尖嘴钳或镊子夹住电线端子拔出, 否则容易拉断电线头。
4. 功能确认无误后将所有电线捋顺并用扎带捆绑整齐。
5. 线路连接好后, 电线两端贴上标签, 以便日后辨识。
 1. LA wire plug wire is green and white wire, LB wire plug wire is red and black wire, LC wire plug wire is yellow and black wire, LD wire plug wire is red and black wire, LE wire plug wire is green and black wire.
 2. After all cabling is determined, a functional test should be done first. Confirm that all functions are normal before proceeding with the following assembly.
 3. Do not pull the wire directly. When pulling out the wire, use a needle-nosed pliers or tweezers to hold the terminal of the wire. Otherwise, the end of the wire may be broken.
 4. After function confirmation, smooth all wires and bind them neatly with cable ties.
 5. After the line is connected, both ends of the wire are labeled for future identification.

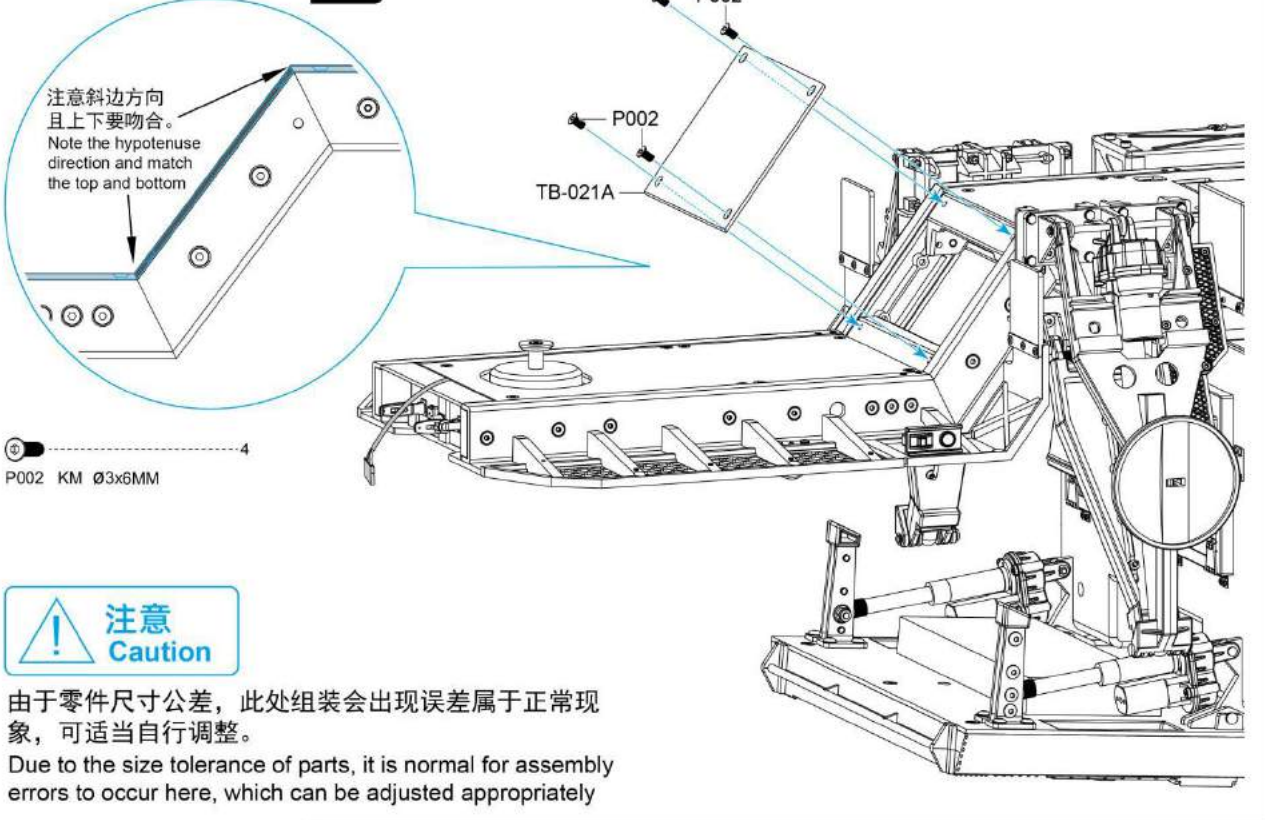
Ⓢ10
P002 KM Ø3x6MM



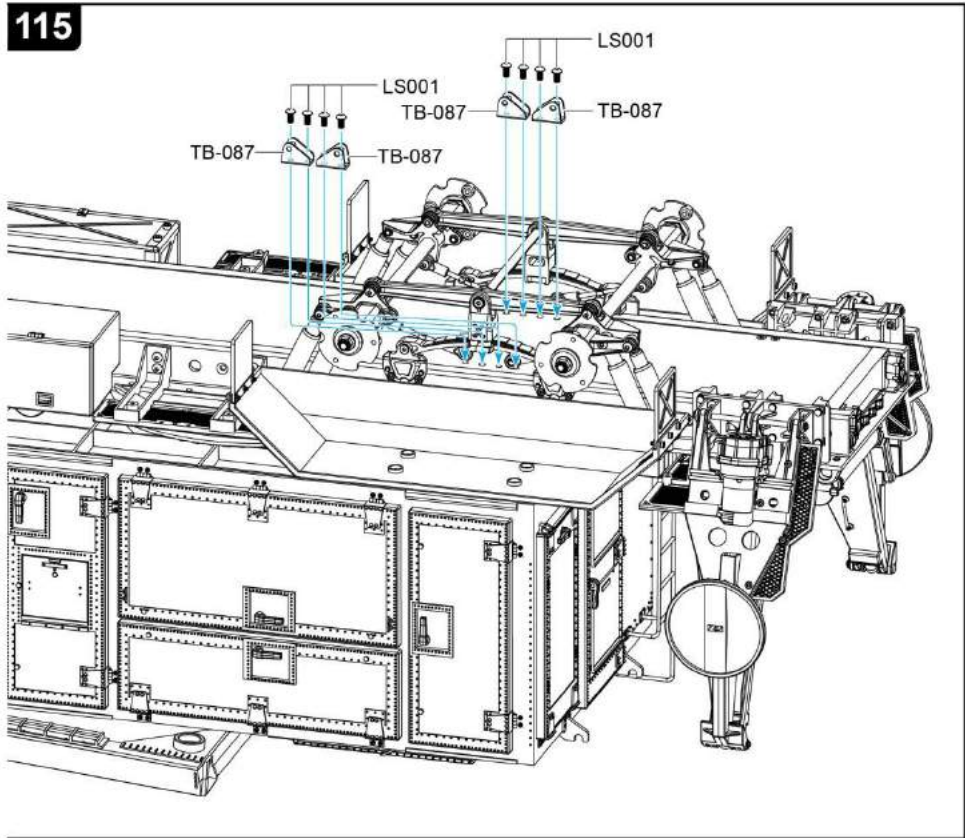
113



114

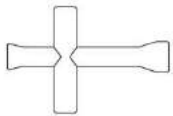
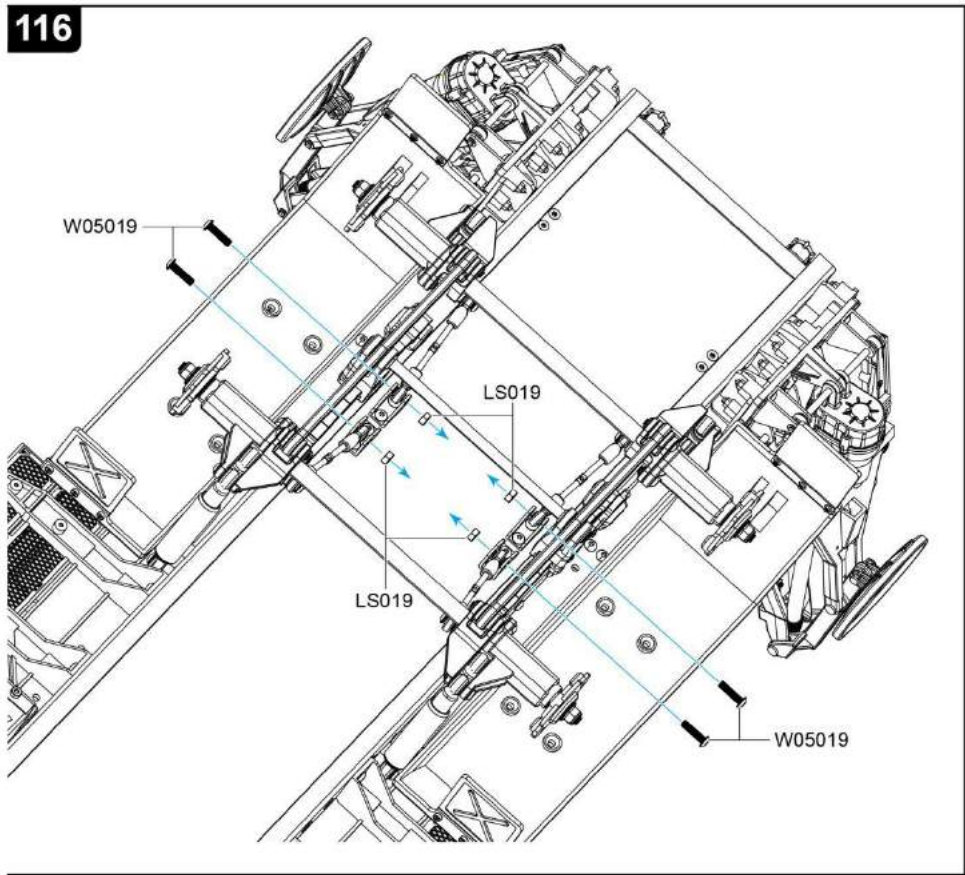


LS001 TM Ø3x6MM 8



W05019 TM Ø3x12MM 4

LS019 M3 4

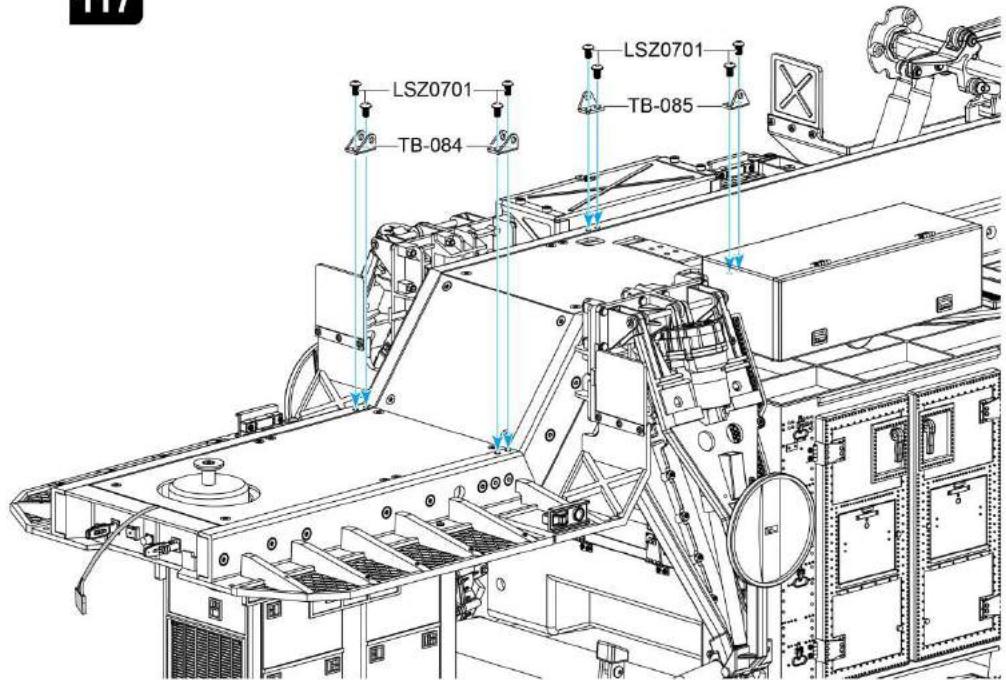


注意
Caution

此处使用十字六角筒
辅助安装配件LS019
The cross hexagonal
barrel is used here to
assist with the installation
of LS019

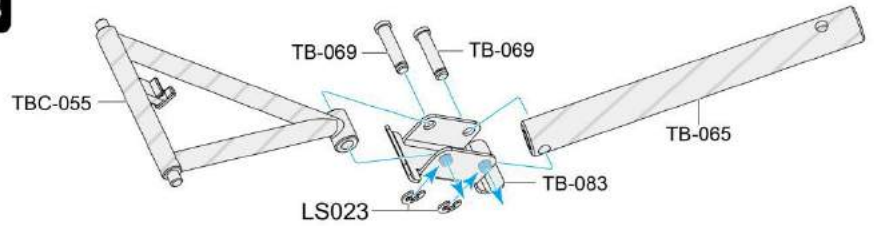
LSZ0701 TM Ø3x5MM 8

117



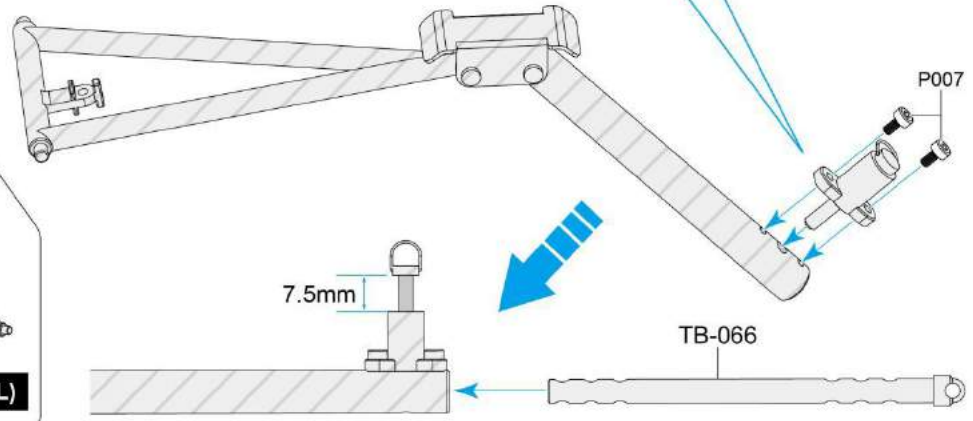
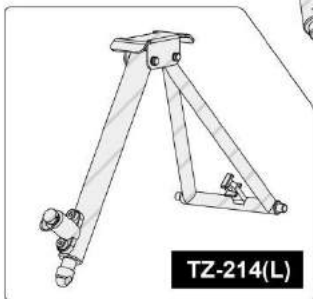
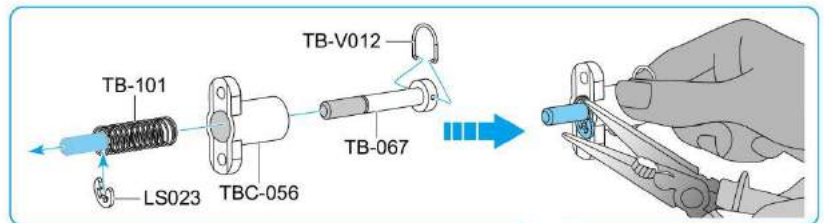
TB-069 Ø3x14mm 2
 LS023 Ø2mm 2

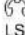
118



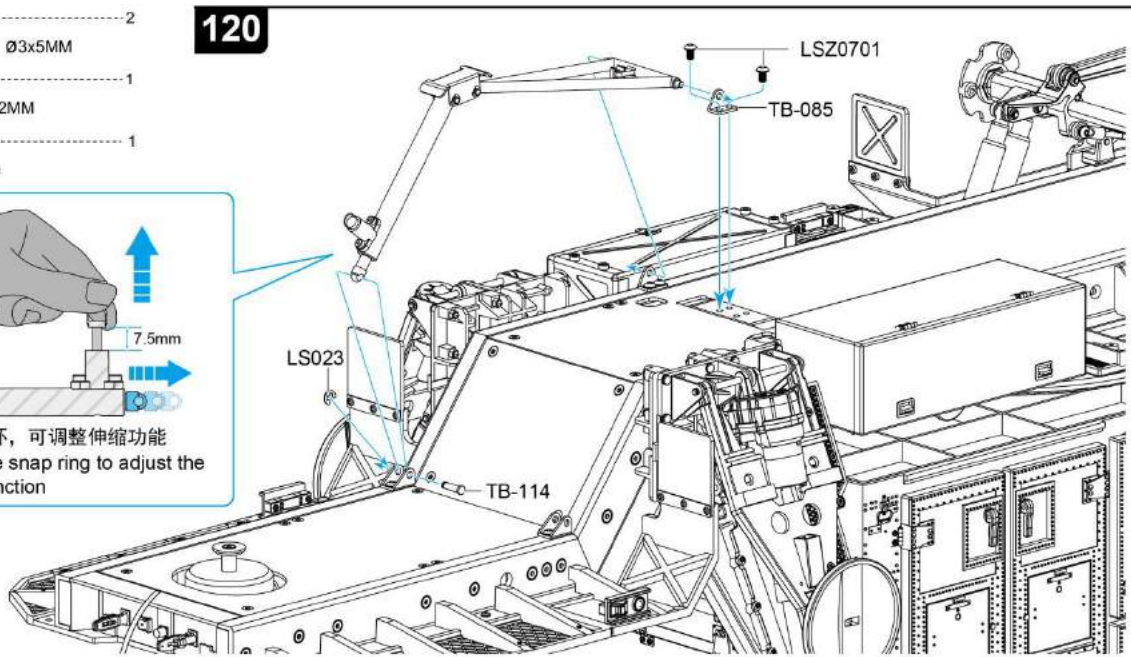
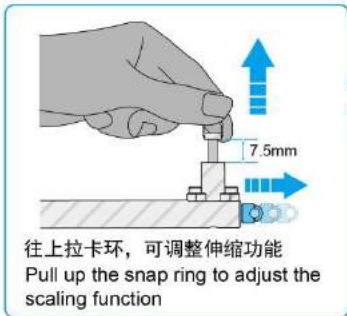
P007 HM Ø2x4MM 2
 LS023 Ø2mm 1
 TB-101 1
 TB-V012 1



119



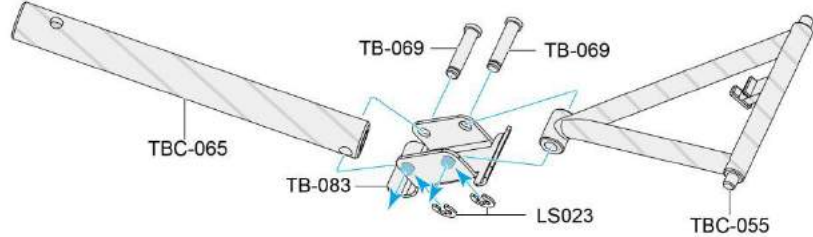
-  2
LSZ0701 TM Ø3x5MM
-  1
TB-114 Ø3x12MM
-  1
LS023 Ø2mm

120

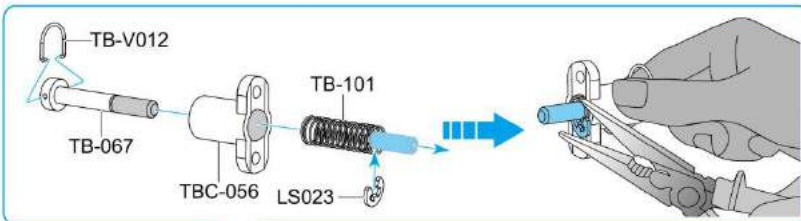






-  2
TB-069 Ø3x14mm
-  2
LS023 Ø2mm

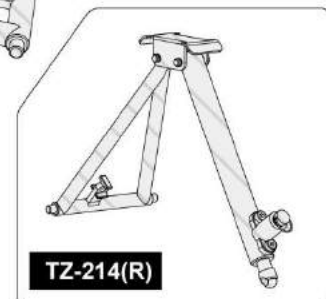
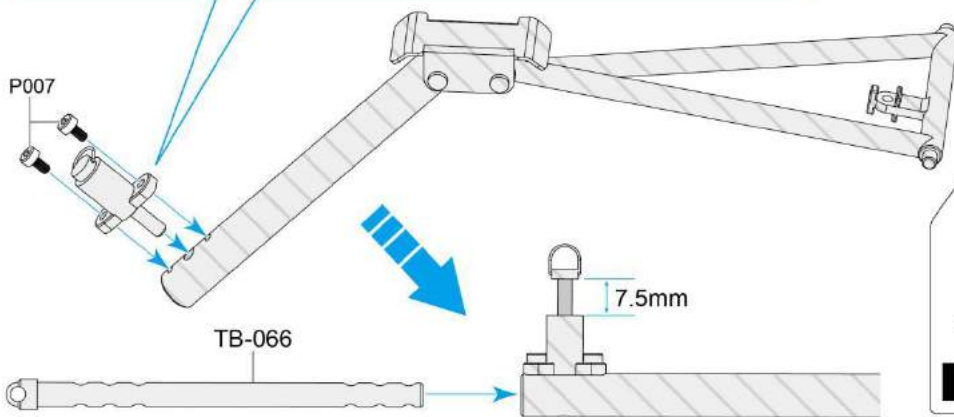
121






122

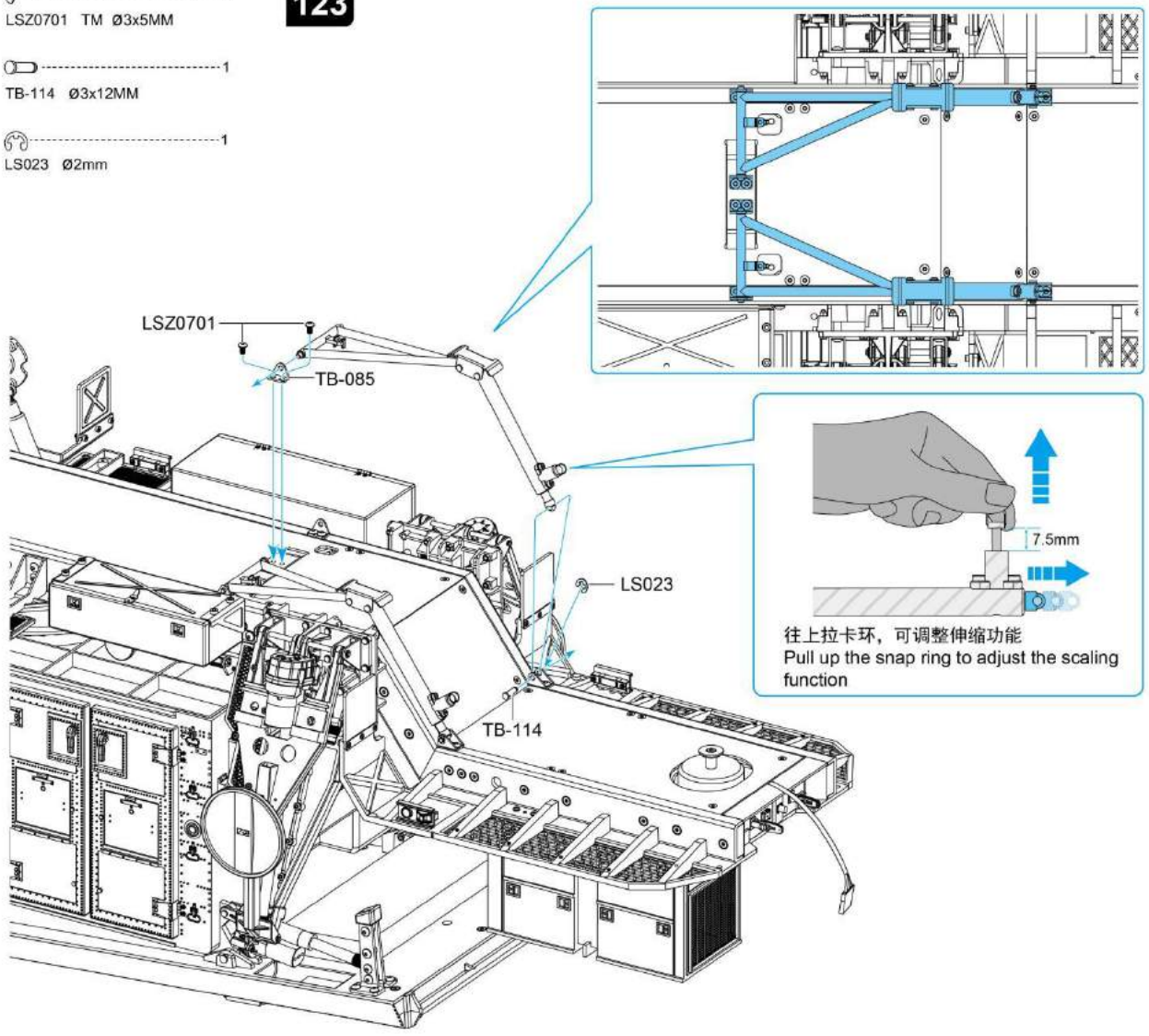


-  2
P007 HM Ø2x4MM
-  1
LS023 Ø2mm
-  1
TB-101
-  1
TB-V012



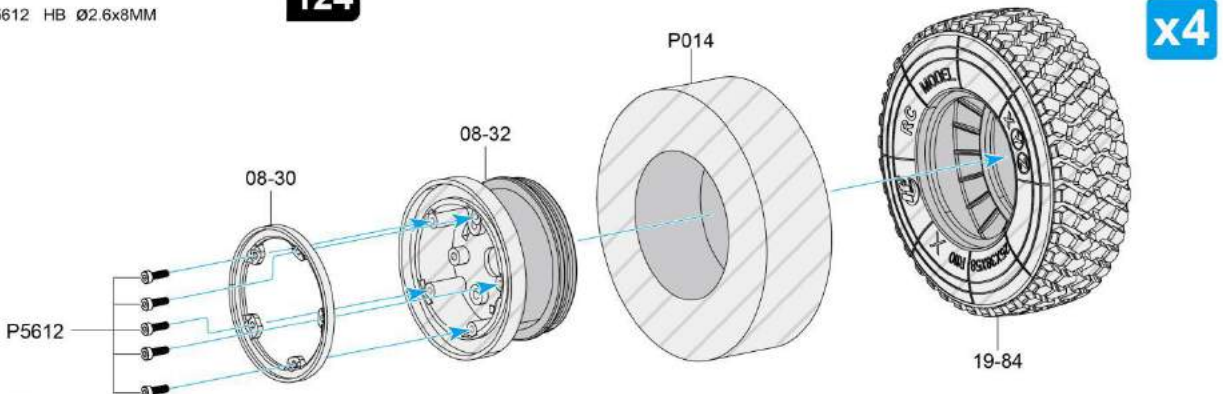
- 2
LSZ0701 TM Ø3x5MM
- 1
TB-114 Ø3x12MM
- 1
LS023 Ø2mm

123



- 20
P5612 HB Ø2.6x8MM

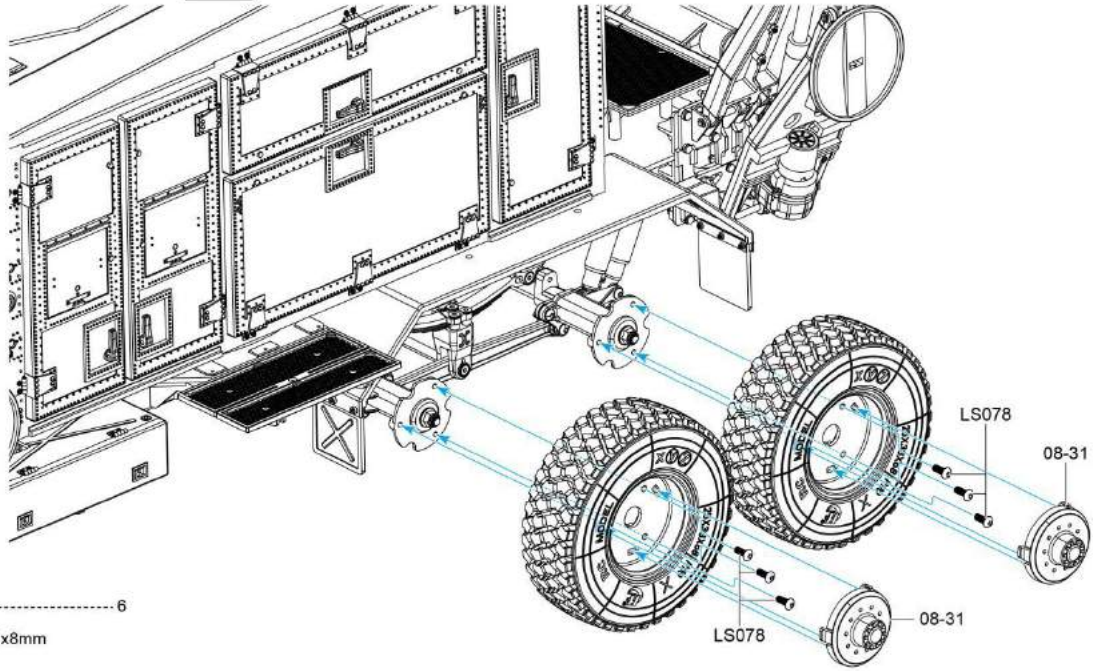
124



 **注意**
Caution

此配件出厂时已组装完成, 组装图只是提供组装过程, 可用于维护配件。
This accessory was assembled at the factory, and the assembly diagram simply provides the assembly process, can be used to maintain accessories.

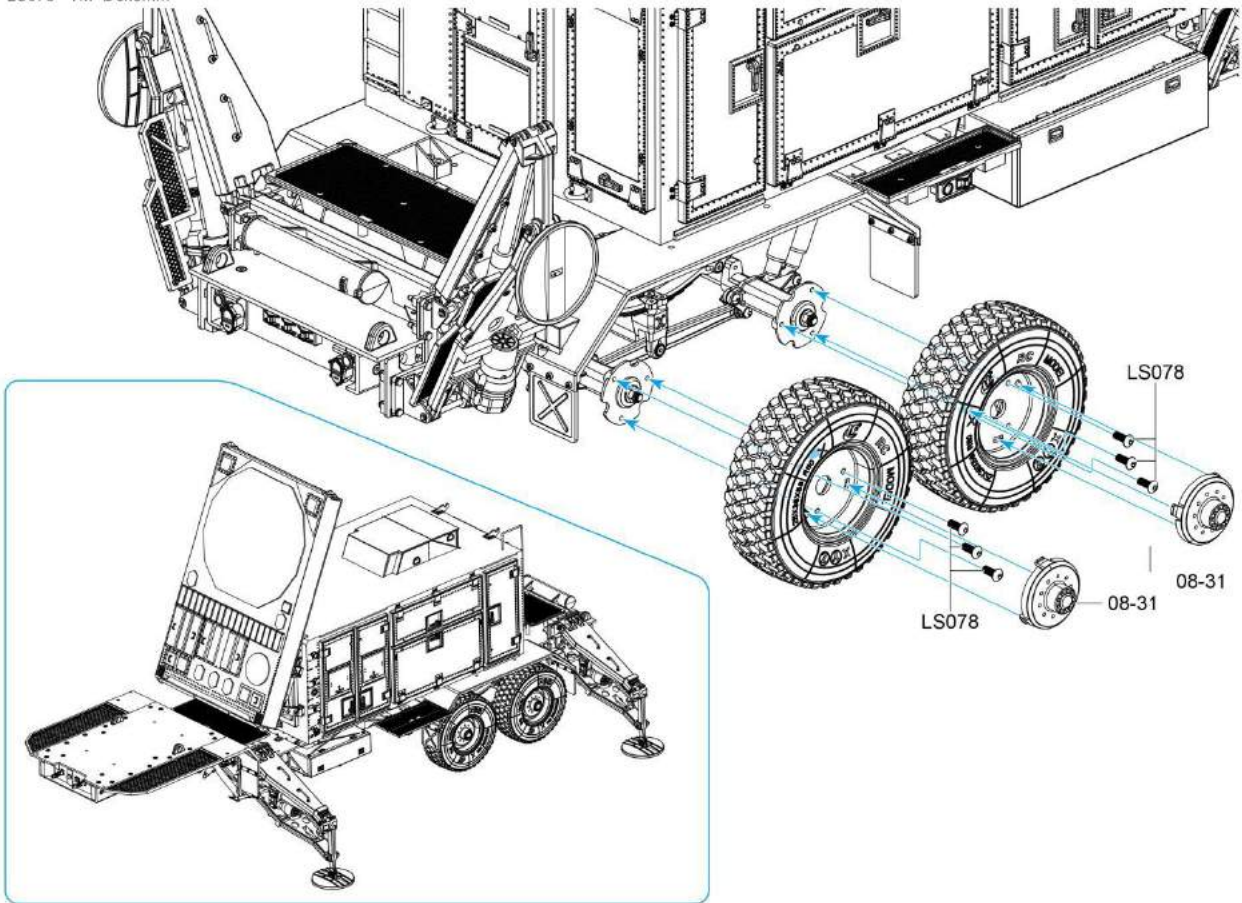
125



6
LS078 TM Ø3x8mm

126

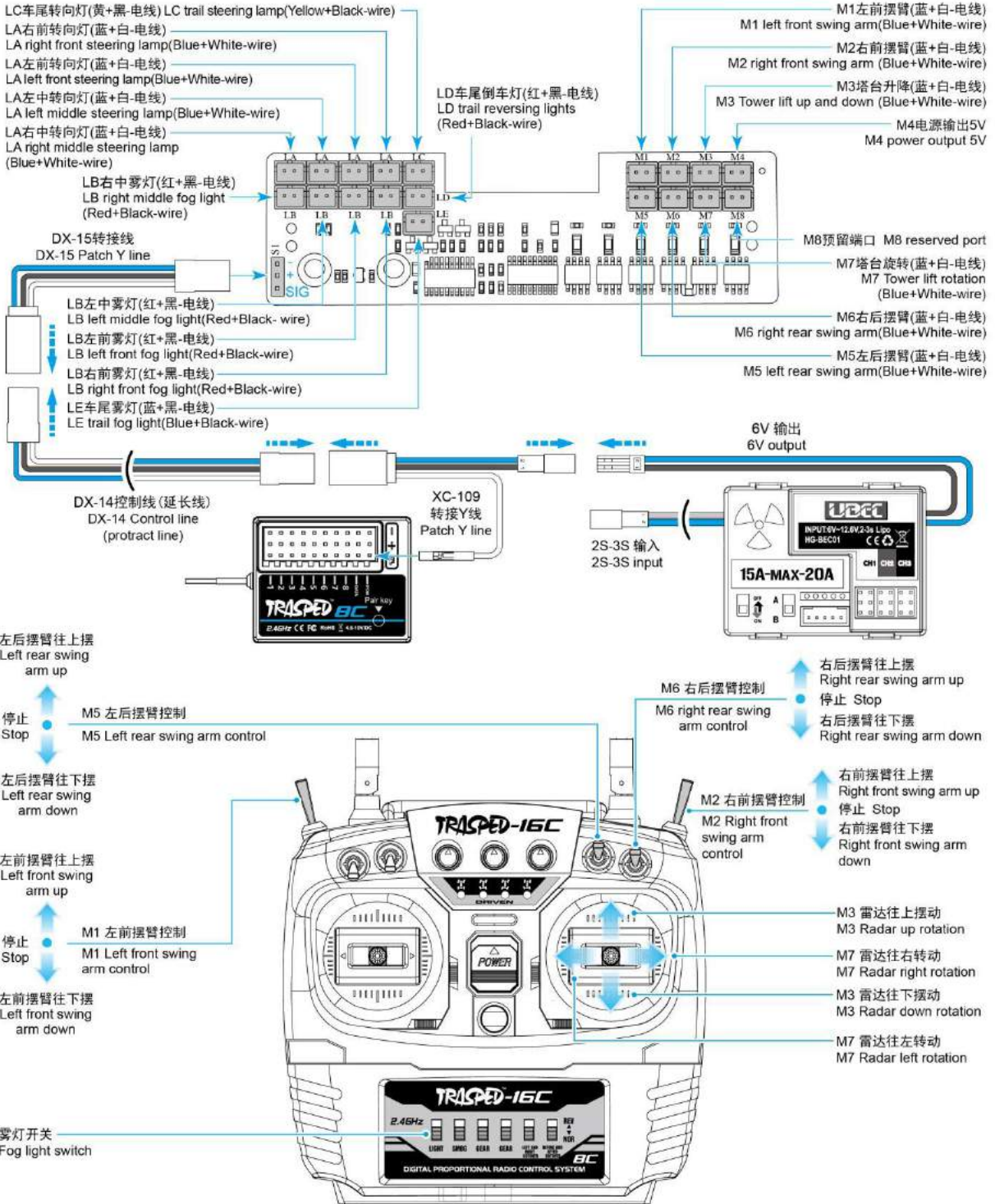
6
LS078 TM Ø3x8mm



操作模式介绍 Operation Mode Introduction

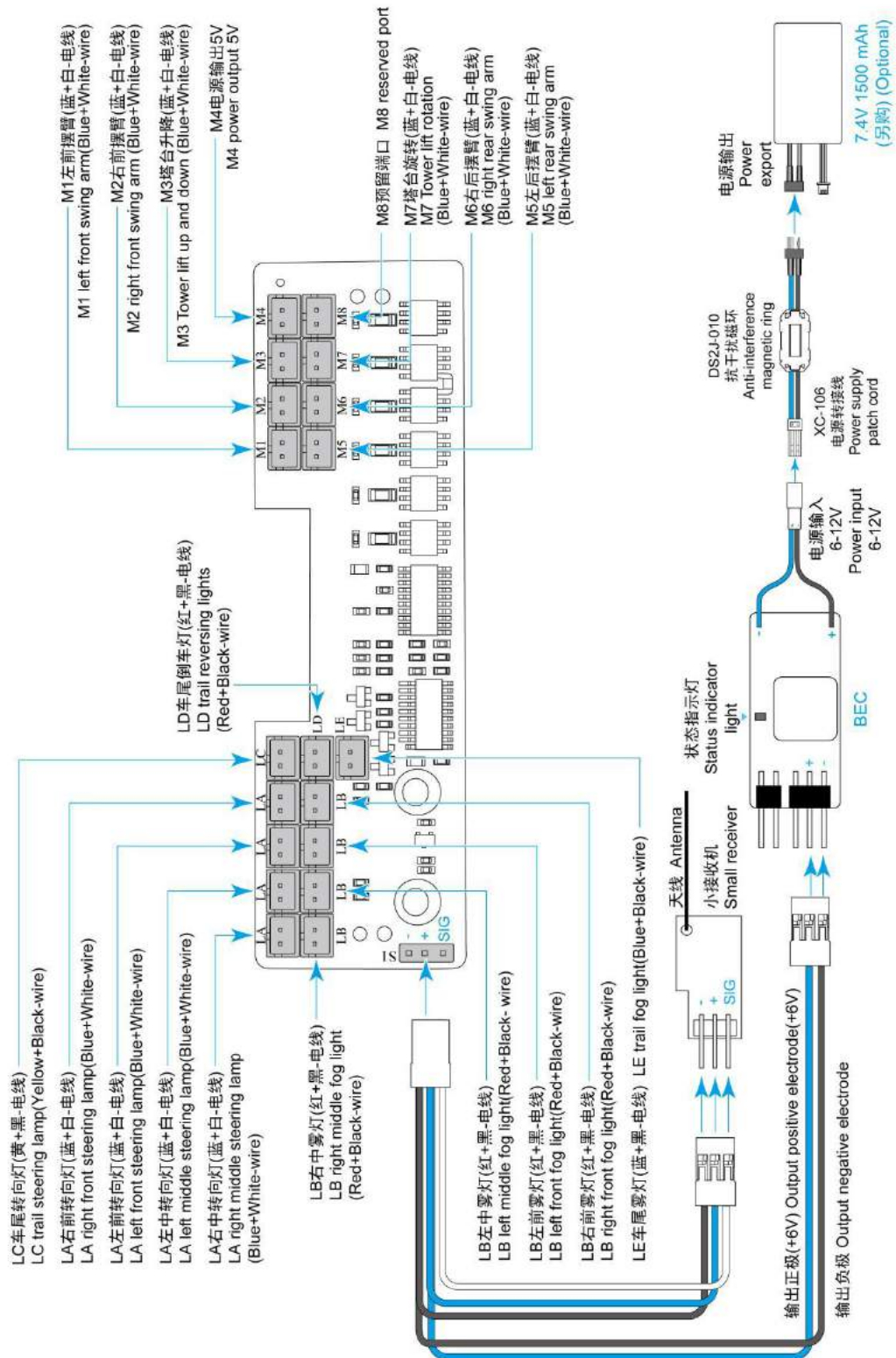
1. 方控YK-003操控 (八通遥控器) Square control yk-003 control (eight way remote control)

将雷达车主控板上的信号延长线连接到前车拖头 (HG-P802) 接收机的数据通道POW, 能实现所有功能的操控以及车灯的开关。连接示意图如下:
Connect the signal extension cable on the radar owner's control panel to the data channel POW of the front tractor (HG-P802) receiver to realize the control of all functions and the switch of lights. The connection diagram is as follows:



2. 小遙控器操作模式 Small transmitter operation mode

- (1) 本产品配置有独立遙控器, 可远程操控雷达车功能。
This product is equipped with a separate remote control, can remotely control the radar car function.



(2). 遥控器接收发射距离约30M。

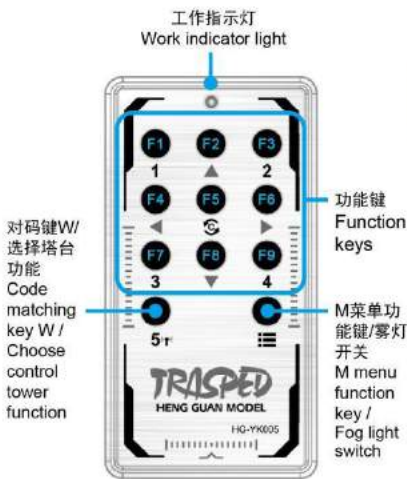
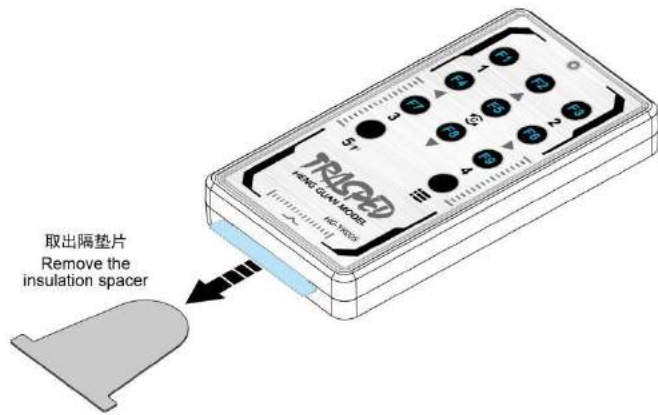
(3). 对码操作:

- ①首次使用时, 将此处隔电片取掉(如图), 遥控器方可通电, 此时自动进入对频模式, 应立即接通小接收机电源(此时小接收机指示灯闪烁), 完成自动对频则小接收机指示灯长亮(不用时将隔电片插回, 可减少电池电量流失)。
- ②需要重新对频时, 同时按下M菜单功能键与对码键W并保持5秒以上, 待工作指示灯开始闪烁时松开功能键和对码键, 此时遥控器已进入对码模式。
- ③打开雷达车电源, 待遥控器的工作指示灯熄灭, 此时遥控器已对码完成。
- ④对码完成后, 同时按下M菜单功能键与F1功能键(F1功能键对应表格中“预设功能1”上面的功能)并保持5秒以上, 当工作指示灯开始闪烁时说明遥控器已选择对应的功能定义值。此时才能对雷达车进行操控。(注: 此步骤出厂已经设置完成)
- (4). 预设功能切换: 当遥控器需要对应不同产品使用时需从新对按键预设定义, 同时按下M菜单功能键与F2或F3功能键并保持5秒以上, 当工作指示灯开始闪烁时说明遥控器已选择对应的功能定义值。
- (5). F1-F9任一功能操作键, F1功能键对应雷达车; F2对应拖板车; F3对应吊臂; F4-F9空置(为预留设定通道, 后期对应不同产品时可进行功能定义)。
- (6). 工作指示灯: 当对遥控器进行操作时工作指示灯亮, 在遥控器指令发送完成后工作指示灯熄灭。
- (7). 当发射器发射指令时, 雷达车转向灯(黄色灯)为双闪状态, 雾灯(红色灯)为常亮状态, 当指令发送完成后(没有信号)时, 转向灯和雾灯延时亮至10秒后会自动熄灭。
- (8). 轻触M菜的功能键为雾灯(红色)开关。

(2). Remote control receiving and transmitting distance is about 30M.

(3). Operation on code:

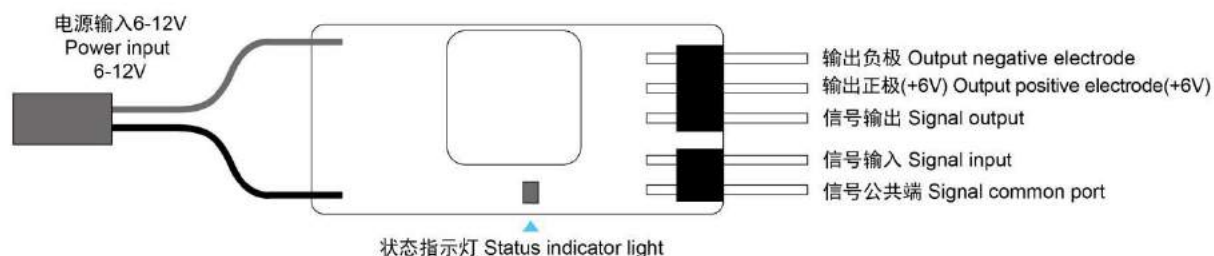
- ①When first used, remove the insulation spacer here(as shown in the picture), remote control can be energized, and automatically enter the frequency mode, should be immediately connected to the power supply of the small receiver(at this time the small receiver indicator blinks), the indicator light of the small receiver will be on when the automatic frequency matching is completed(plug back the insulation spacer when not in use to reduce battery loss).
- ②When the frequency needs to be adjusted again, press the M menu function key and the code matching key W at the same time and hold them for more than 5 seconds. Release the function key and the code key when the working indicator starts to blink. At the same time, the remote control has entered the code mode.
- ③Turn on the power supply of the radar vehicle, and the indicator light of the remote control goes out. At the same time, the remote control has completed the code.
- ④After completing the matching, press the M menu function key and the code matching key F1(F1 function key corresponds to the function above "Preset functions 1" in the table) at the same time and hold it for more than 5 seconds. When the work indicator starts flashing, it means that the remote control has selected the corresponding function definition value. Only then can we operate the radar car. (Note: this step has been set before delivery)
- (4). Preset functions switch: when the remote control needs to redefine the preset keys. At the same time, press the M menu function key and F2 or F3 function key and hold them for more than 5 seconds. When the work indicator starts to blink, it means that the remote control has selected the corresponding function definition value.
- (5). Any functional operation key of F1-F9, F1 corresponds to radar vehicle, F2 to trailer, F3 to crane arm, F4-F9 is vacant(the channel is reserved for setting, and the function can be defined later when different products are corresponding).
- (6). Work indicator light: when the remote control is operated, the work indicator light is on, and the work indicator light is off after the instruction of the remote control is sent.
- (7). When the transmitter sends the command, the radar car's turn signal(yellow light) is double flash state, and the fog light (red light) is steady on state. When the command is sent(no signal), the turn signal and fog light will automatically go out after 10 seconds.
- (8). Touch M menu function key is fog light (red) switch.



Function buttons 功能键	F1	F2	F3	F4	F5	F6	F7	F8	F9	W
预设功能 Preset functions										
预设功能 1 Preset functions 1	选择左前 Select left front	操作向上 Upward operation	选择右前 Select right front	塔台左转 Control tower turn left	选择全部 Select all	塔台右转 Control tower turn right	选择右后 Select left rear	操作向下 Downward operation	选择右后 Select right rear	选择塔台 Choose control tower function
预设功能 2 Preset functions 2	空 Vacancy	向上 Upward	空 Vacancy	空 Vacancy	停止 Stop	空 Vacancy	空 Vacancy	向下 Downward	空 Vacancy	空 Vacancy
预设功能 3 Preset functions 3	单杆缩短 Single pole shorten	主杆伸长 Main pole extend	双杆缩短 Double pole shorten	单杆伸长 Single pole extend	主杆缩短 Main pole shortened	双杆伸长 Double pole extend	绞盘收线 The winch take-up the wire	底座逆时针旋转 Base anticlockwise rotation	底座顺时针旋转 Base clockwise rotation	绞盘放线 The winch pay-off the wire
预设功能 4 Preset functions 4										
预设功能 5 Preset functions 5										
预设功能 6 Preset functions 6										
预设功能 7 Preset functions 7										
预设功能 8 Preset functions 8										
预设功能 9 Preset functions 9										

以下暂未定义
Not defined yet

稳压电源UBEC参数 Regulated power supply UBEC parameters



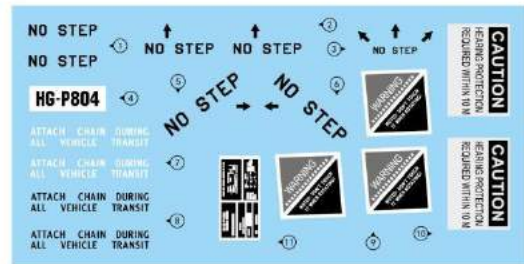
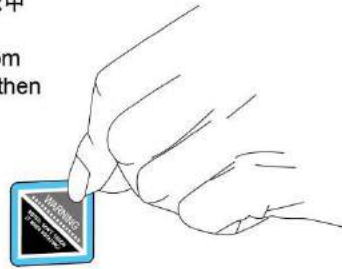
项目(Item)	规格参数描述 (Specifications)
输入电压(Input voltage)	DC6-12V
输出电压(Output voltage)	DC6V
输出电流(Output current)	6A
指示灯状态 (Indicator light status)	长亮: 工作正常; 闪烁: 过流保护 Long bright: Working properly; flashes: Overcurrent protecting

主控制板额定参数 Rated parameters of main control board

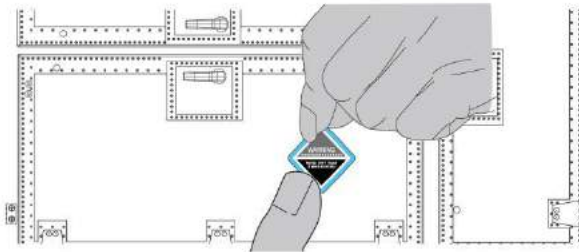
项目(Item)	规格参数描述 (Specifications)
工作电源(Working power supply):	5.0 V / 6.0 V MAX / 3 A - 6 A
信号模式(Signal model):	串行数字数据(Serial digital data)
L A灯组输出电流(LA lamp group output power supply):	50 m A
L B灯组输出电流(LB lamp group output power supply):	40 m A
M 1左前脚架输出电流(M1 left front tripod output current):	750 m A
M 2右前脚架输出电流(M2 right front tripod output current):	750 m A
M 3塔台升降输出电流(M3 tower lifting output current):	1000 m A
M 4辅助供电(M4 auxiliary power supply):	5 V / 1000 m A
M 5左后脚架输出电流(M5 left rear tripod output current):	750 m A
M 6右后脚架输出电流(M6 right rear tripod output current):	750 m A
M 7塔台旋转输出电流(M7 tower lift rotation output current):	1200 m A
M 8辅助供电(M8 auxiliary power supply):	5 V / 1000 m A

贴纸贴法 Method of stickers

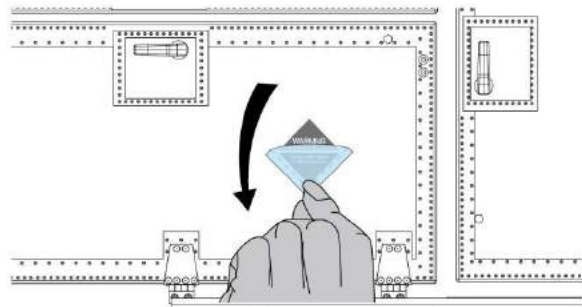
1. 先将要贴的标志用剪刀从贴纸中剪出来，然后撕去底纸。
The first sign to be posted from the sticker with scissors out, then ripped the end of paper.



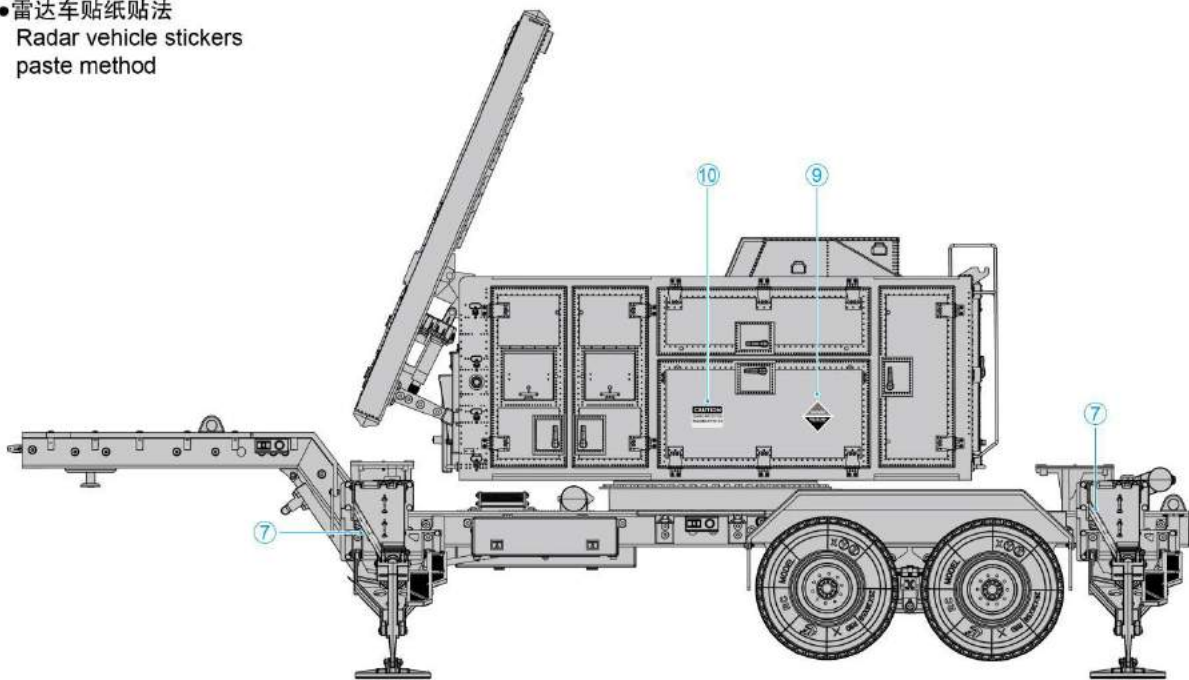
2. 把标志贴到所需的位置，然后再从贴纸的一边到另一边用手的拇指均匀地紧压，让标志充分紧贴。
Stick the mark to you need the position, and then from side to side sticker hand thumb pressed evenly, so close to the full mark.



3. 撕下透明膜。
Tears down the transparent film.

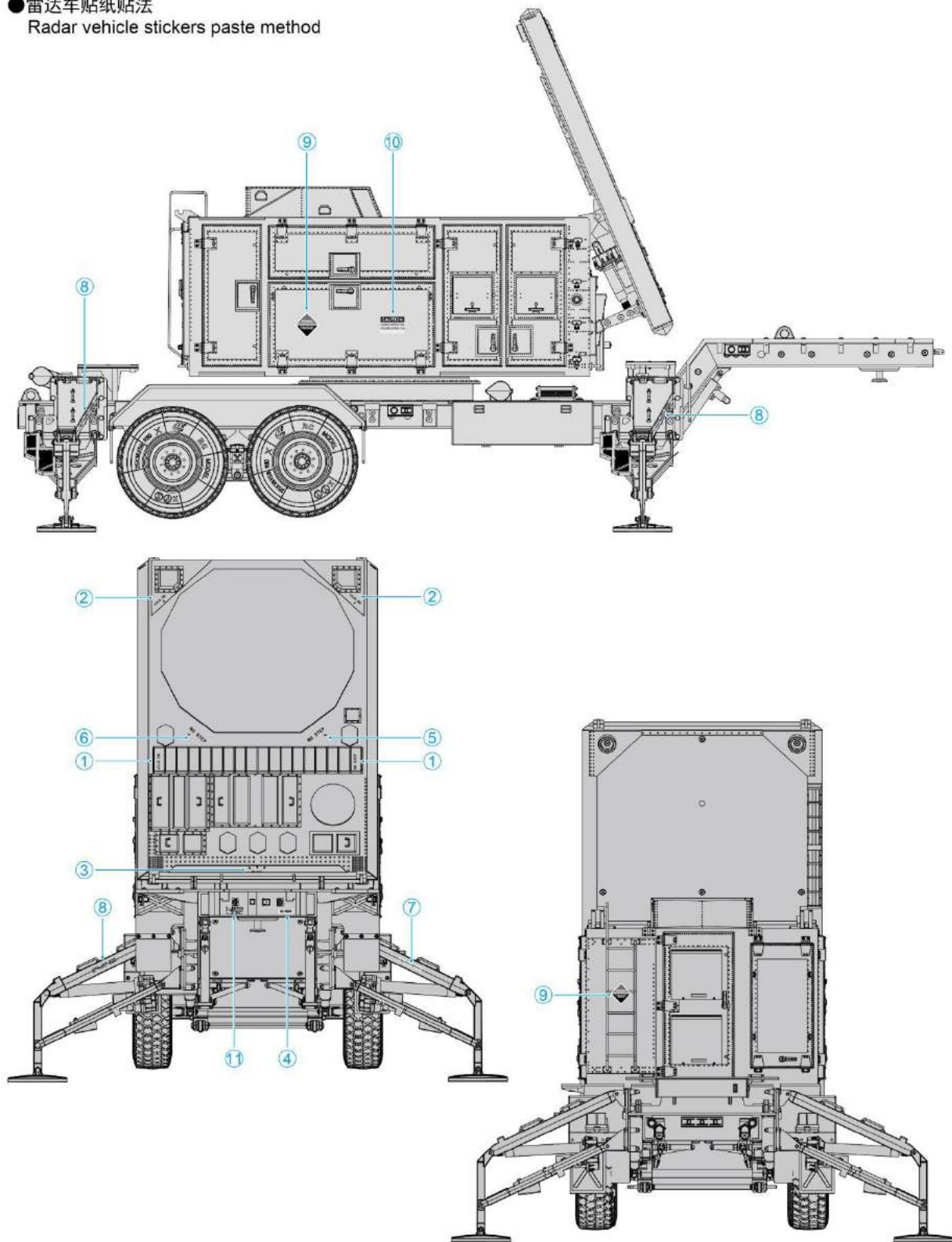


● 雷达车贴纸贴法 Radar vehicle stickers paste method



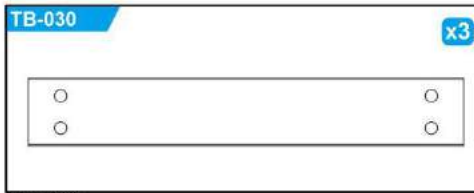
厂家建议： 贴纸在贴上车壳之前，请先将车壳的保护膜撕掉，然后对照说明书上车壳的编号位置，将对应编号的贴纸粘贴在车壳上。
Suggestion from the manufacturer: Before the sticker is pasted on the car shell, firstly please tear off the protecting film on the car shell, and then paste the corresponding code of sticker on the car shell as per the code position shown on the car shell in this instruction manual.

● 雷达车贴纸贴法
Radar vehicle stickers paste method

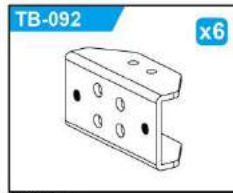


图示所贴标纸，为产品原贴法，其它贴纸供使用者装饰。
As shown, the pasters are according to originally product stick method, however, other pasters decorates at for the user.

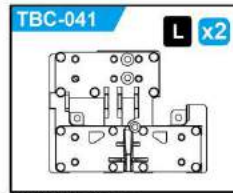
零件 PARTS



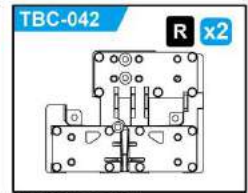
横梁方管
Beam square tube



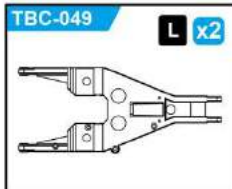
横梁铁片
Beam iron



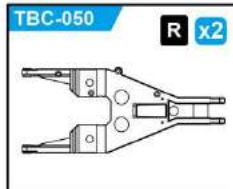
摆臂固定座(左)
Swing arm holder(left)



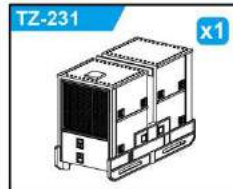
摆臂固定座(右)
Swing arm holder(right)



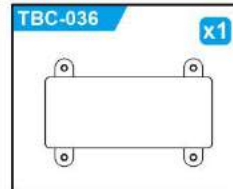
下摆臂(左)
Lower arm(left)



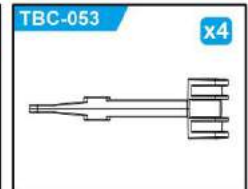
下摆臂(右)
Lower arm(right)



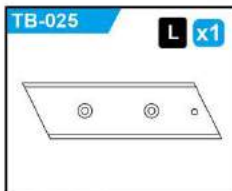
操控箱总成
Operation box assembly



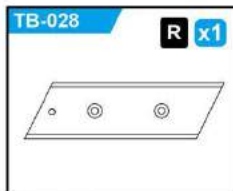
车板方孔盖
Car plate square hole cover



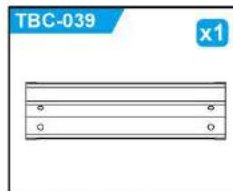
摆臂外支撑柱
Swing outer support column



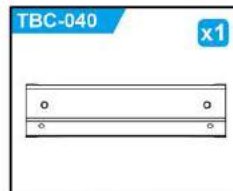
短大梁(左)
Short beam(left)



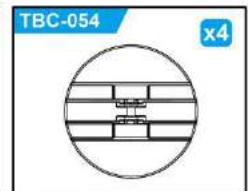
短大梁(右)
Short beam(right)



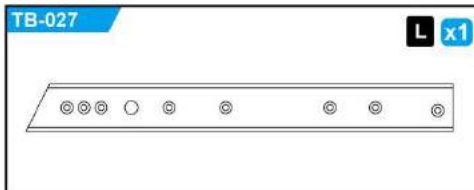
大梁连接块(上)
Girder connection block (top)



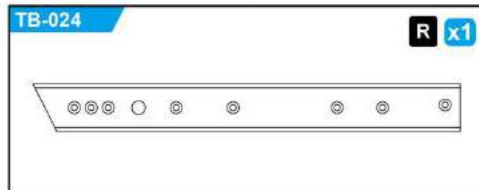
大梁连接块(下)
Girder connection block (below)



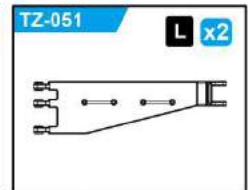
摆臂脚垫
Swing arm pad



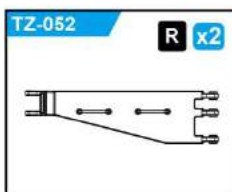
中长大梁(左)
Medium long beam(left)



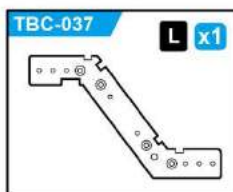
中长大梁(右)
Medium long beam(right)



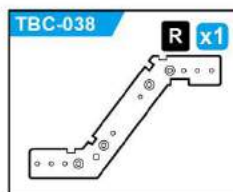
上摆臂(左)
Upper swing arm(left)



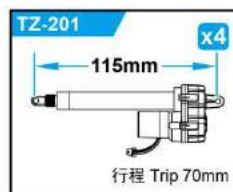
上摆臂(右)
Upper swing arm(right)



连接块(左)
Connection block(left)



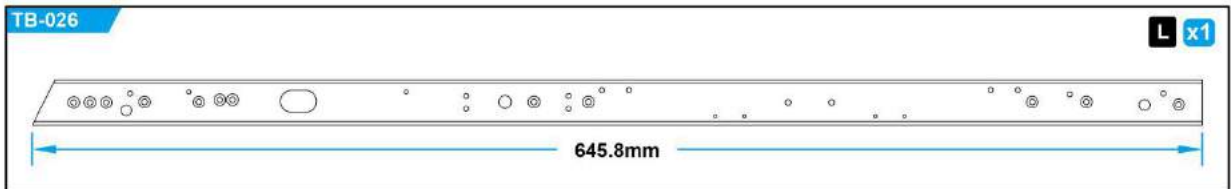
连接块(右)
Connection block(right)



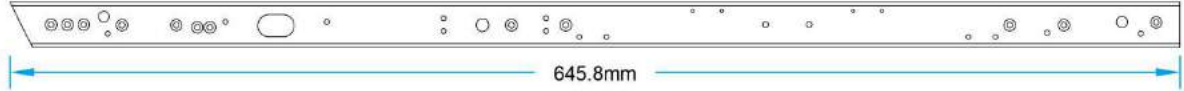
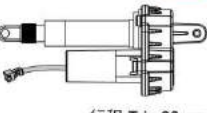
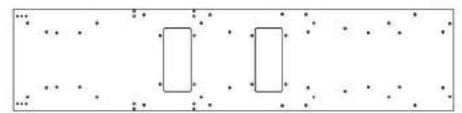


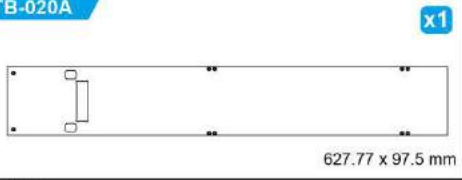

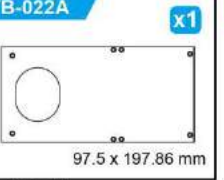



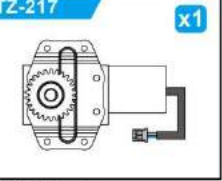
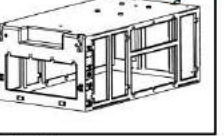
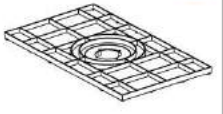
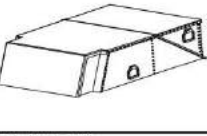

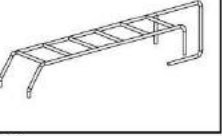
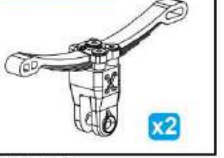
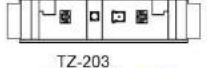



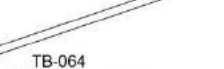



电动推杆(2号中长)
Electric push rod (NO.2 medium length)



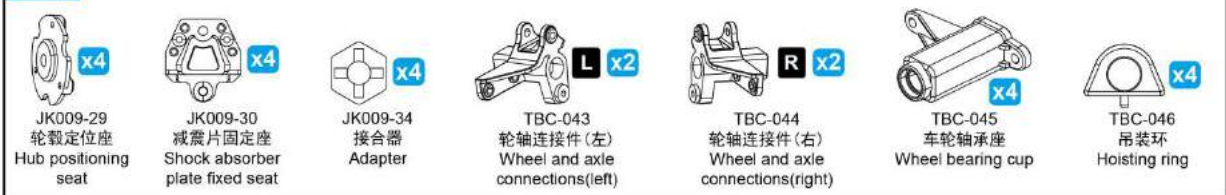
轮胎总成
Wheel assembly



长大梁(左)
Long beam(left)

TB-023 R x1  长大梁(右) Long beam(right)				
TZ-244 x2  行程 Trip 30mm 电动推杆(3号短) Electric push rod (No. 3 short)	TB-020 x1  长车板 Long car board	TB-021 x1  短车板(短) Short car board (short)	TB-022 x1  226.92 x 146 mm 中车板(中) Medium car board (mid)	
TB-020A x1  627.77 x 97.5 mm 长底板 Long bottom plate	TB-021A x1  77.21 x 97.5 mm 短底板(短) Short bottom plate (short)	TB-022A x1  97.5 x 197.86 mm 中底板(中) Medium bottom plate (mid)	TZ-209 L x1  左侧箱子组件 Left box assembly	
TZ-216 R x1  右侧箱子组件 Right box assembly	TZ-214 L x1  脚架总成 Tripod assembly	TZ-217 x1  减速马达370 Gear motor 370	LDC-001 x1  雷达主体 Radar main body	LDC-002 x1  雷达主体底盖 Radar main body bottom cap
LDC-023 x1  雷达主体顶盖 Radar main body head cover	TZ-233 x1  雷达接收板组件 Radar-receiving board module	TB-113 x1  爬梯 Crawling ladder	8ASS-P0024 x2  减震片总成 Shock piece assembly	
DZ-A1  TZ-203 前横梁组件 Front beam assembly x1	 TZ-204 后横梁灯组 Rear beam lamp group x1	DZ-A2  TB-082 脚架支撑梁 Tripod support frame x1		
塑料横梁 Plastic beam		支撑贴片 Support paster		
DA-A3  TB-063 Ø8X122mm 车轮主轴 x2 Wheel main axle	 TB-064 Ø5X120.7mm 车轮中轴 x1 Wheel mid axle	 JK009-33 连接杆组件 x2 Connecting rod component	DA-A4  8ASS-P8022 减震器总成 x8 Damping assembly	
连接轴 Connecting axle			减震 Damping	
				

DA-A5



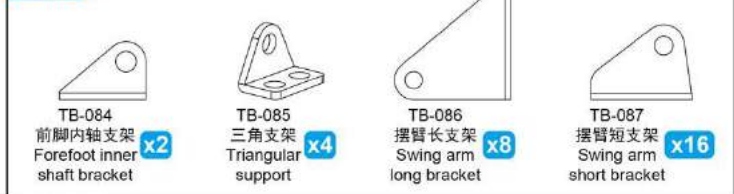
车轮连接配件 Wheel connection parts

DA-A6



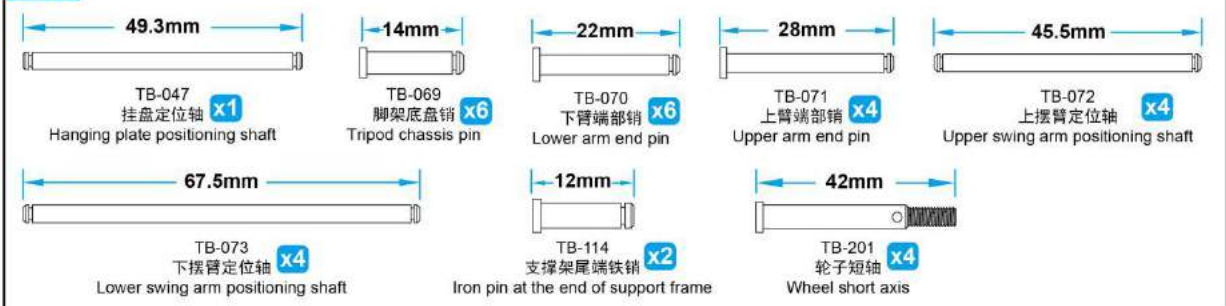
前挂钩 Front pothook

DA-A8



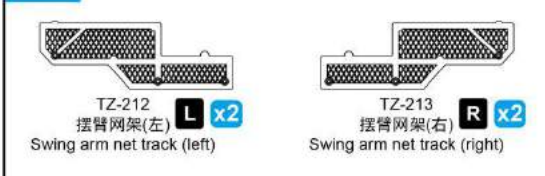
摆臂支撑片 Swing arm support sheet

DA-A7



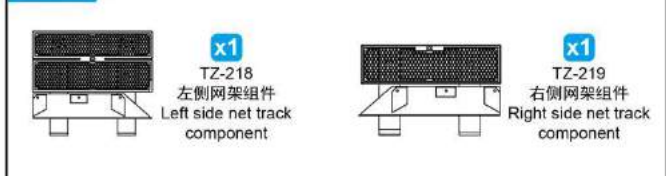
卡簧轴 Spring shaft

DA-A9



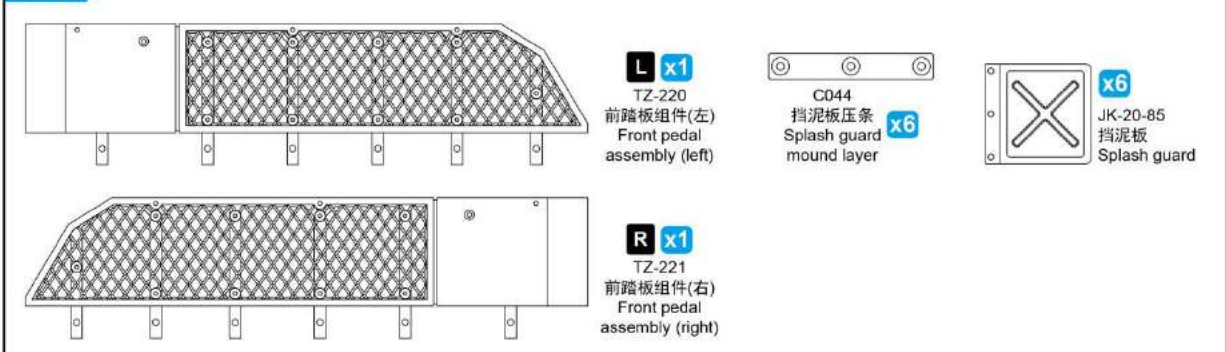
左右摆臂网架
Left and right swing arm frame

DA-A9-1



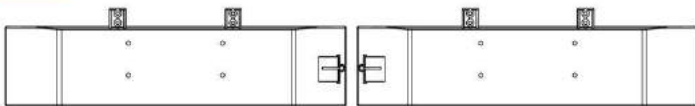
左右中段网架
Left and right middle section grid

DA-A10



前踏板 Front pedal

DA-A11



TBC-013
后挡泥板(左) L x1
Rear splash guard (left)

TBC-014
后挡泥板(右) R x1
Rear splash guard (right)

后挡泥板 Rear splash guard

DA-A12

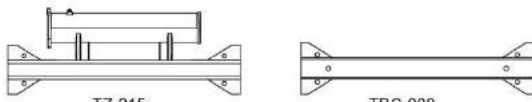


TZ-210
前网架组件 x1
Front net track component

TZ-211
后网架组件 x1
Rear net track component

网架组件 Net track component

DA-A13



TZ-215
后摆臂连接梁 x1
Rear swing arm
connecting beam

TBC-008
前摆臂连接梁 x1
Front swing arm
connecting beam

上连接梁
Up articulated beam

DA-A14



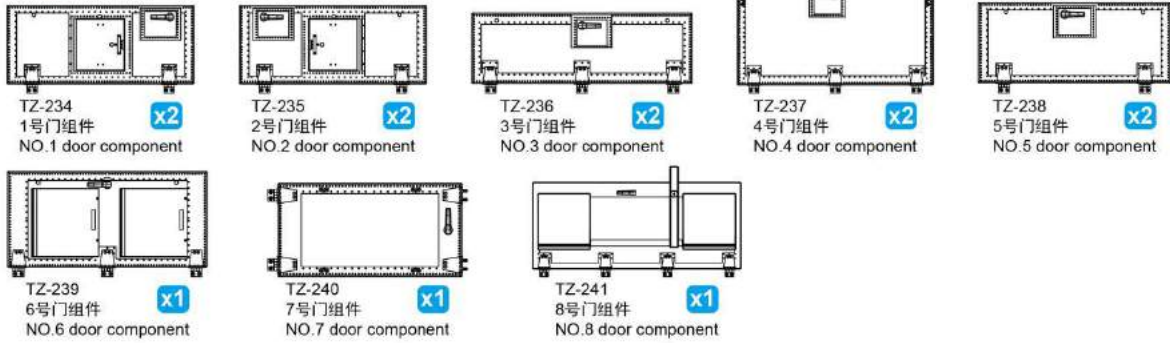
DB-016
转盘内齿轮 x1
Turntable
internal gear

LDC-017
旋转底座面盖 x1
Rotating base
surface cover

LDC-018
旋转底座底盖 x1
Rotating base
bottom cap

旋转座
Rotating base

DZ-A15



TZ-234
1号门组件 x2
NO.1 door component

TZ-235
2号门组件 x2
NO.2 door component

TZ-236
3号门组件 x2
NO.3 door component

TZ-237
4号门组件 x2
NO.4 door component

TZ-238
5号门组件 x2
NO.5 door component

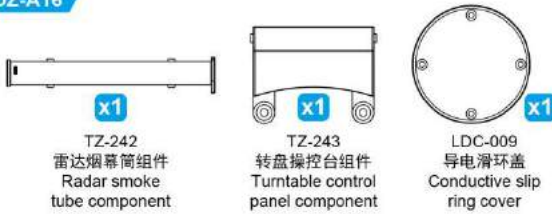
TZ-239
6号门组件 x1
NO.6 door component

TZ-240
7号门组件 x1
NO.7 door component

TZ-241
8号门组件 x1
NO.8 door component

主体门 Main body door

DZ-A16



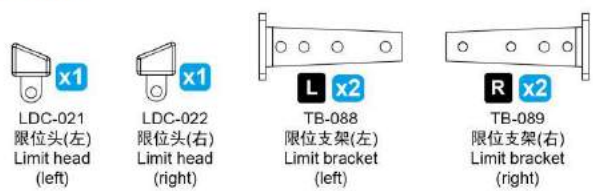
TZ-242
雷达烟雾筒组件 x1
Radar smoke
tube component

TZ-243
转盘操控台组件 x1
Turntable control
panel component

LDC-009
导电滑环盖 x1
Conductive slip
ring cover

雷达装饰配件 Radar decoration accessories

DZ-A17



LDC-021
限位头(左) x1
Limit head
(left)

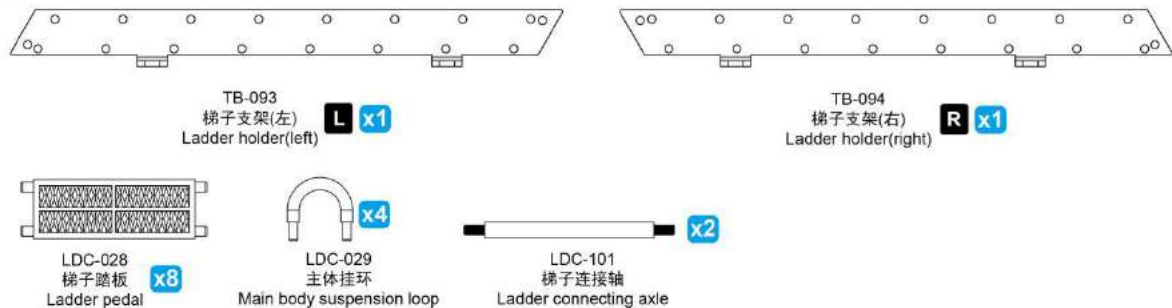
LDC-022
限位头(右) x1
Limit head
(right)

TB-088
限位支架(左) L x2
Limit bracket
(left)

TB-089
限位支架(右) R x2
Limit bracket
(right)

限位件 Limit parts

DZ-A18



TB-093
梯子支架(左) L x1
Ladder holder(left)

TB-094
梯子支架(右) R x1
Ladder holder(right)

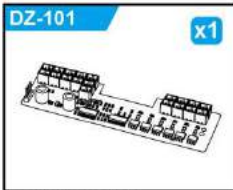
LDC-028
梯子踏板 x8
Ladder pedal

LDC-029
主体挂环 x4
Main body
suspension loop

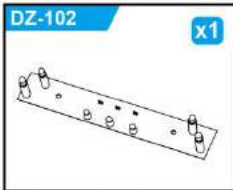
LDC-101
梯子连接轴 x2
Ladder connecting
axle

梯子配件 Ladder parts

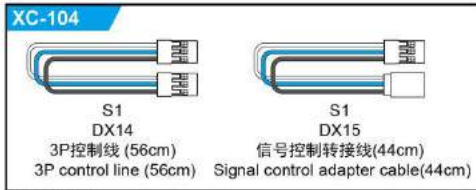
电子类 Electronic



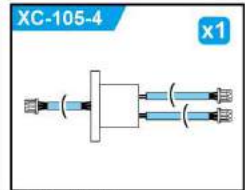
DZ-101 x1
LS-HG317-CTRL
主控制板
Main control board



DZ-102 x1
LS-HG317-LED
尾灯板
Taillight board board



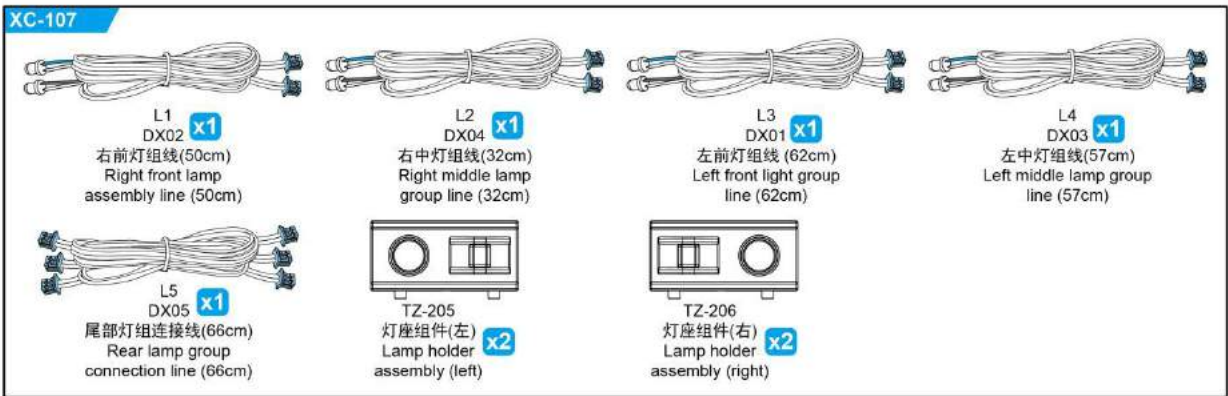
XC-104
信号控制线
Signal control line



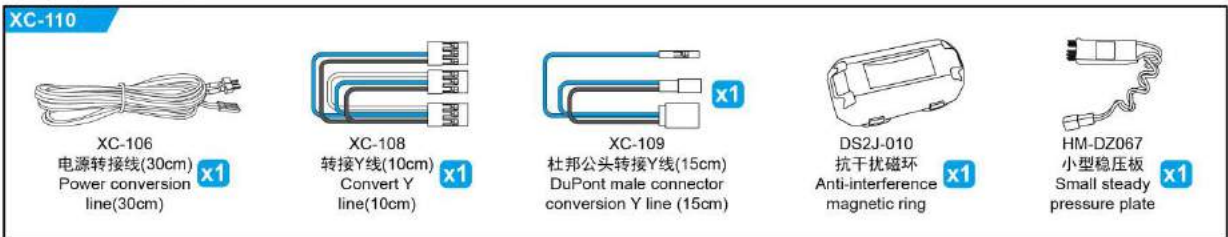
XC-105-4 x1
4路导电滑环
4-way conductive slip ring



电机连接线 Motor connection line

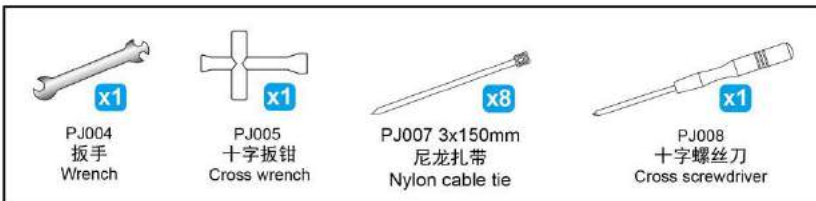


灯组连接线
Light group connection line



转接线 Conversion line

HTBD-016 工具袋 HTBD-016 tool bag



辅助工具 Auxiliary tool



钼基润滑脂
Molybdenum Base Grease

附属配件 Affiliated fittings

BS01-A4



说明书 Instruction book

LSD-8ASS-1.5



LSD-8ASS-2.0



LSD-8ASS-2.5



TBASS-02



小遥控器套装 Small remote controller suit

D3



804零件盒LS1 HG-P804 Parts Box LS1

<p>LS001 TM Ø3X6</p>	<p>P002 KM Ø3X6</p>	<p>LS100 TM Ø2X6</p> <p>P007 HM Ø2X4</p>	<p>LS083 TM Ø3X16</p> <p>LSZ0701 TM Ø3X5</p>	<p>LS078 TM Ø3X8</p> <p>P5672 HB Ø3X8</p>
<p>P001 KM Ø3X8</p> <p>W05016 KM Ø2X6</p>	<p>LSKB-38 KB Ø3X8</p> <p>LSTB-36 TB Ø3X6</p>	<p>LSTB-38 TB Ø3X8</p> <p>P544 KB Ø2X6</p>	<p>LSPB-174 PB Ø1.7X4</p> <p>LS002 TM Ø3X10</p>	<p>W05019 TM Ø3X12</p> <p>LS089 KM Ø3X14</p>

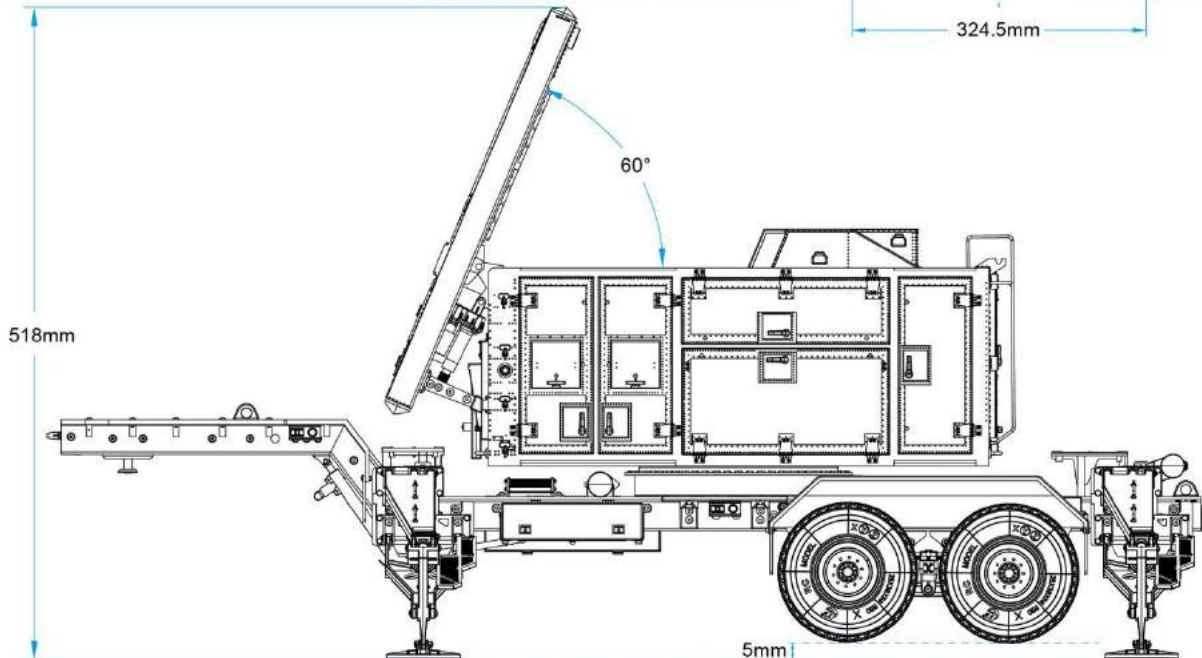
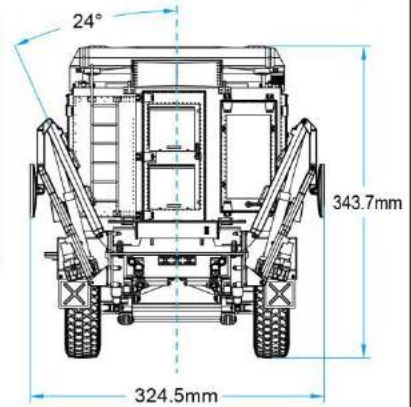
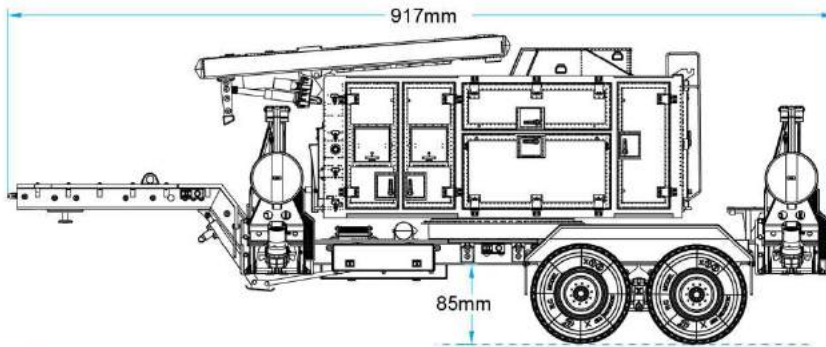
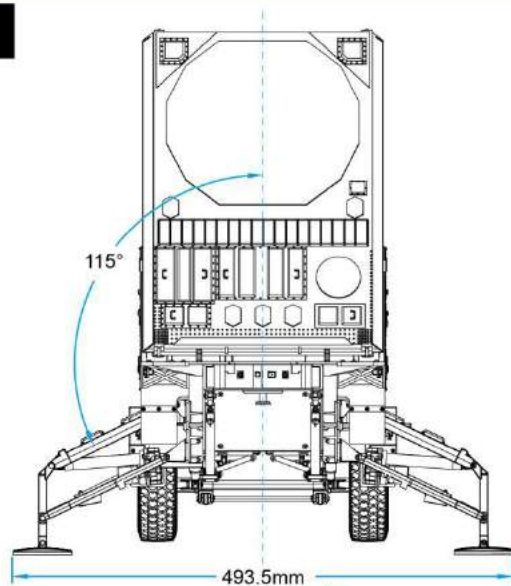
804零件盒LS2 HG-P804 Parts Box LS2

<p>LS225 Ø5xØ9x3mm</p> <p>TB-043 Ø3.2X6X4.5</p>	<p>LS023 2mm</p> <p>W01003 Ø2X10mm</p>	<p>W05009 HM Ø2X6</p> <p>W05007 TM Ø3X14</p>	<p>LSKM-312 KM Ø3x12MM</p> <p>P1501 KM Ø3X10</p>	<p>LSKM-318 KM Ø3x18MM</p> <p>KB143 KB Ø1.4X3</p>
<p>W1037 Ø3XØ5X3mm</p> <p>LS15003 Ø5.1XØ7X0.4mm</p>	<p>LS022 M3</p> <p>Is020 M2</p>	<p>TB-8058 Ø6.5X10.5mm</p> <p>LS019 M3</p> <p>LSPB-174 Ø1.7X4MM</p>	<p>LS016 PB Ø2X6mm</p> <p>W1040 Ø3.1X4X7.5</p>	<p>W05001 M4</p> <p>LSTB-26 TB Ø2x6MM</p>

雷达车资料 RADAR VEHICLE DATUM

HG-P804 产品性能参数 Product performance parameters

1. 最大爬坡角度: 15°/坡长2m
 2. 最大转弯半径: 2M
 3. 最大跨越宽度: 100mm
 4. 底盘离地间隙: 85mm
 5. 轮胎可悬空距离: 5mm
 6. 雷达板升降角度: 60°
 7. 支撑脚升降角度: 91°
 8. 雷达收缩最小尺寸: 长917mm x 宽324.5mm x 高343.7mm
 9. 雷达伸展最大尺寸: 长917mm x 宽493.5mm x 高518mm
 10. 产品净重: 9.2KG
 11. 伸缩杆最大推拉力: 30KG
1. Maximum climbing angle: 15°/slopes length: 2 meters;
 2. Maximum radius of turning circle: about 2 meters;
 3. Maximum span width: 100 mm
 4. Ground clearance of chassis: 85 mm
 5. The distance the tire can be suspended: 5mm
 6. Radar plate up and down angle: 60°
 7. Supporting legs up and down angle: 91°
 8. Minimum radar telescopic size:
long 917mm x wide 324.5 mm x high 343.7 mm
 9. Maximum radar telescopic size:
long 917mm x wide 493.5mm x high 518 mm
 10. The whole car net weight: 9.2 KG
 11. Maximum thrust of telescopic rod: 30 KG



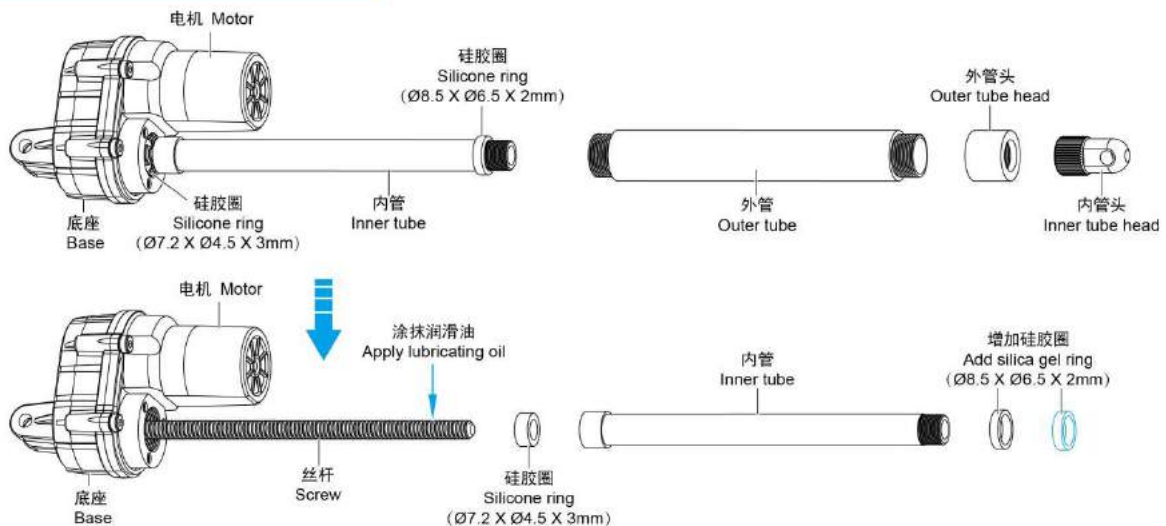
解决问题指引 Solutions to problems

问题 Problem	原因 Cause	处理方法 Processing Method
模型不动 Model fails to move	模型中电池电量不足。 The model is of low battery.	请将旧电池取下充电, 和安装充满电的电池或没有装入电池。 Please remove the old batteries to charge, and put in fully-charged batteries or no batteries.
	没有对频 No on the frequency	请按照说明书上的对频方法重新对频。 Please reset the frequency according to the frequency matching method in the instruction book.
	连接电线破损或插头线松脱 The connection wire is broken or the plug wire is loose.	1. 立即断电检查电线破损部位, 重新连接并做好绝缘处理, 2. 重新将插头插紧固定好, 全部仔细检查确认无误后方可通电测试。 1. Immediately cut off the power, check the damaged part of the wire, reconnect it and make insulation treatment. 2. Reinsert the plug and fix it, and check it carefully before power-on test. Control panel short circuit.
	控制板短路 Control panel short circuit	更换新的控制板, 非专业用户切勿盲目维修。 Replace the new control panel, non-professional users don't blind maintenance.
	插头线错接 The plug is incorrectly connected	根据说明书上内容重新接入插头, 接线或插线时请认准编号和电源的正负极, 防止反接。 Reconnect the plug according to the instruction book, when wiring or inserting the wire, please check the number and positive and negative terminals of the power to prevent reverse connection.
超出遥控范围 Out of range	1. 及时拉近遥控距离; 2. 移至空旷地面或其他合适的场地操控。 1. Shorten the distance of remote control in time. 2. Move to open ground or other suitable field control.	
车灯不亮 The lamp is not bright	车灯开关没有打开 The light switch is not on	打开车灯 Open the lamp
	车灯线插头接触不良 The contact with lamp wire plug is bad	1. 将主控板上的插头重新插紧; 2. 仔细检查电线是否有破损现象, 如有请重新连接并做好绝缘处理; 3. 确认无误后方可通电测试。 1. Insert the plug on the main contact board tightly. 2. Carefully check whether the wire is damaged, if yes, please reconnect and do insulation treatment; 3. Confirm the power-on test.
	电量不足 Battery is low	更换新的电池或为电池充电。 Replace or charge the battery.
组装问题 The assembly problem	表面涂层过厚 The surface coating is too thick	由于喷漆涂层过厚导致部分配件装配过紧属于正常现象, 可使用橡胶锤或锉刀作适当修整。 It's normal to assemble some parts too tightly due to the thick spray coating, you can use a rubber hammer or file for proper dressing.
	配件轻微变形 Fittings slightly deformed	1. 由于个别配件出现轻微的变形导致孔位对不上或其他边围衔接不顺, 可以适当先松动关联螺丝后再用力强制锁正和接顺。 2. 变形严重可更换完整部件。 1. Due to the slight deformation of some accessories, the hole position isn't on or the other side of the connection isn't smooth, you can loosen the associated screw properly first and then force the lock and connection. 2. Complete parts can be replaced if deformed seriously.

解决问题指引 Solutions to problems

问题 Problem	原因 Cause	处理方法 Processing Method
<p>电动伸缩杆异常（注意：非专业用户切勿随意拆卸电动伸缩杆，有问题请立即找专业人员维修或更换新的伸缩杆）</p> <p>Electric telescopic rod is abnormal (Note: Non-professional users shouldn't disassemble the electric telescopic rod at will. If there is a problem, please find a professional to repair or replace the new telescopic rod immediately. Otherwise)</p>	<p>噪声尖锐且刺耳</p> <p>The noise is sharp and harsh.</p>	<ol style="list-style-type: none"> 1. 加入适量的润滑油； 2. 减速齿轮装配不到位，需要重新拆解查看； 3. 更换新的伸缩杆。 <p>1. Add the right amount of lubricating oil;</p> <p>2. The reduction gear assembly isn't in place, and it needs to be disassembled and viewed again;</p> <p>3. Replace the telescopic rod.</p>
	<p>电机工作异常</p> <p>Abnormal motor operation</p>	<ol style="list-style-type: none"> 1. 更换新的电机； 2. 找专业人员维修。 <p>1. Replace the new motor;</p> <p>2. Find a professional maintenance.</p>
	<p>伸缩不到位</p> <p>Expansion is not in place</p>	<ol style="list-style-type: none"> 1. 电池电量过低导致，立即充电或更换新电池； 2. 拆卸两端接头手动旋转几圈伸缩杆，使其充分润滑后再装回； 3. 更换新的伸缩杆。 <p>1. If the battery is at least low, charge or replace the battery immediately;</p> <p>2. Remove the connecting heads at both ends and manually rotate the telescopic rod several times to make it fully lubricated and then reinstall.</p> <p>3. Replace the telescopic rod with a new one.</p>
	<p>伸缩杆帽头易脱落</p> <p>Telescopic rod cap is easy to fall off</p>	<p>拆卸伸缩杆帽头连接端，重新拧紧帽头再装回。</p> <p>Remove the connecting end of the telescopic rod cap head, tighten the cap head again and reinstall it.</p>
	<p>伸缩正反转错乱（电机连接线反接）</p> <p>Expansion and reverse rotation disorder (motor connection line reverse connection)</p>	<ol style="list-style-type: none"> 1. 拆下伸缩杆并拔下连接插头； 2. 拆下电机，认准正负极（正反转）重新焊接电机连接线的正负极。 <p>1. Remove the telescopic rod and pull down the connecting plug;</p> <p>2. Remove the motor, identify the positive and negative electrodes (positive and negative rotation) and re-weld the positive and negative plates of the motor connection line.</p>
<p>伸缩杆卡死</p> <p>The telescopic rod is stuck</p>	<ol style="list-style-type: none"> 1. 电池电量不足，需充电或更换新电池； 2. 依次拆开内管头、外管头、硅胶圈、外管、内管后露出丝杆，在丝杆上涂抹适量润滑油，增加润滑，再装回测试； 3. 在外管头下再增加一个硅胶圈来限位。（如下分解图所示） <p>1. If the battery is low, charge it or replace it with a new one.</p> <p>2. Disassemble the inner tube head, the outer tube head, the silicone ring, the outer tube, and the inner tube in turn to expose the screw rod, apply a proper amount of lubricating oil on the screw rod to increase the lubrication, and then reinstall it for testing;</p> <p>3. Add a silicone ring under the outer tube head to limit the position. (As shown in the below diagram)</p>	

分解图 Exploded view



警告(Warning):

本产品含有小零件请勿让三岁以下儿童玩耍；本品含电子元件，不得入水或在潮湿环境下使用；电池充电器应定期检查其电线、插头、外壳和其他部件是否损坏，发现损坏时应停止使用。

Choking hazard! This product contains small parts. NOT suitable for children under 3 years. Contains electrical components and should be kept dry at all times. Regularly check the battery charger wires, plugs and shell and other components for damage. DO NOT use if any part is damaged.

注意事项 (Warnings & Cautions)

1. 可拆卸的小零件要放好，千万不可让小孩吞食。
 2. 如操作场地有电波干扰，请另选场地操作。
 3. 遥控器电源低电时，请立即停止操作。
 4. 对拆除后的包装物，请不要随地丢弃，以免污染环境。
 5. 请将您的遥控模型存放在干燥、阴凉的地方。
 6. 不要置于近火和高温、潮湿的地方储存。
 7. 当电池被水浸湿，请将水分充分地擦拭干净，如有变形，请停止使用。
1. Detachable small parts should be stored safely and out of reach of children.
 2. If interference is experienced, turn the model off and try it again in a different area.
 3. Remote controller will not function correctly if the batteries are low. Please replace the batteries.
 4. Please discard old/used batteries in a safe manner. Consider your environment!
 5. Please store the remote control model in cool, dry place.
 6. DO NOT expose to fire or high temperatures, do not store in moist place.
 7. Once the battery get wet, wipe immediately with a soft dry cloth.
If the battery any deformation, please stop using

电池使用注意事项(Precautions for battery use)

1. 车体使用2S 7.4V 18650 锂电池。
 2. 遥控器使用3V钮扣电池。
 3. 安装或更换电池时请注意极性。
 4. 充电电池只能在成人监护下充电。
 5. 不可混用新旧或不同型号的电池。
 6. 电池电量用尽后，应从模型内取出。
 7. 接线端不应短路。
 8. 非充电电池不可充电。
 9. 充电电池充电前应从模型中取出。
 10. 请不要将坏的电池、电池组分解或扔到火中、水里，以免发生意外。
 11. 充电器的额定输入电压必须与当地的家用电压相符。
 12. 在充电过程中，充电器和电池出现微温，属于正常现象。
1. Bodywork uses 2S 7.4V 18650 Lithium battery.
 2. Remote controller uses 3V button battery.
 3. Please pay attention to correct polarity when replacing batteries.
 4. Rechargeable batteries should be charged under adult supervision.
 5. DO NOT use a mix of old and new or different types of battery.
 6. After the battery is exhausted, the model should be removed.
 7. DO NOT short circuit any terminals.
 8. DO NOT attempt to recharge non rechargeable batteries.
 9. Remove batteries from the model when charging.
 10. DO NOT put batteries into a fire or into water.
 11. The rated input voltage battery charger MUST be suitable for your mains power voltage.
 12. During charging it is quite normal for the charger and batteries to heat up.



本产品说明书内容仅供参考。本公司有权对产品进行更改或调整，恕不再另行通知，具体请以官方为准。
The instruction sheet for this product is just for your reference. We reserve the right to make changes or adjustments on the product without prior notification. Please refer to the official information.

REMOTE CONTROL MODEL SERIES

1/12 U.S. RADAR VEHICLE

TRASPED

hengguantoys.en.alibaba.com



KIT SELF ASSEMBLY
