

# Installation instructions of Tail flame LED lights of model jets

## Specifications

**Voltage :** 12.5V (Max 24V)

**Current :** 1A (Max 3A)

**Weight of LED light set :** 33g (No Adapter ring)

**Adapter ring :** 3~5g (Ø29 Ø30 Ø32 Ø36 Ø36.6 Ø39 Ø40mm)

**Length of LED light set :** 1.93in / 2in

**DE of LED light set :** Ø 0.787in

**LED light color :** Warm yellow

**Luminous flux :** 2880 LM

**Light source model :** 3014

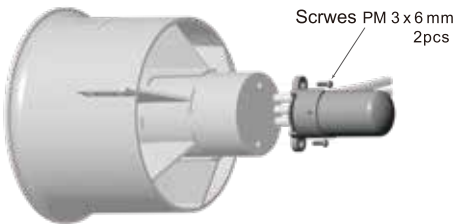
**Number of light sources :** 144pcs

**Light source power :** 0.2W

## Installation diagram

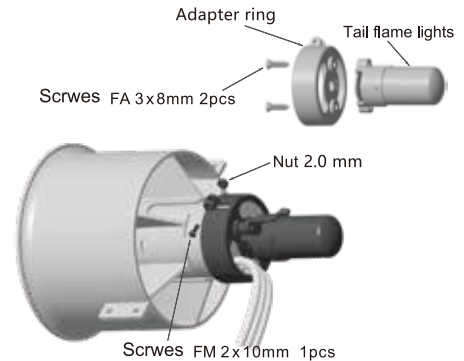
### Special type

Use for Freewing 80/90mm EDF power system and Freewing inrunner brushless motor.  
(Mounting screw holes have been reserved on the motor bottom)

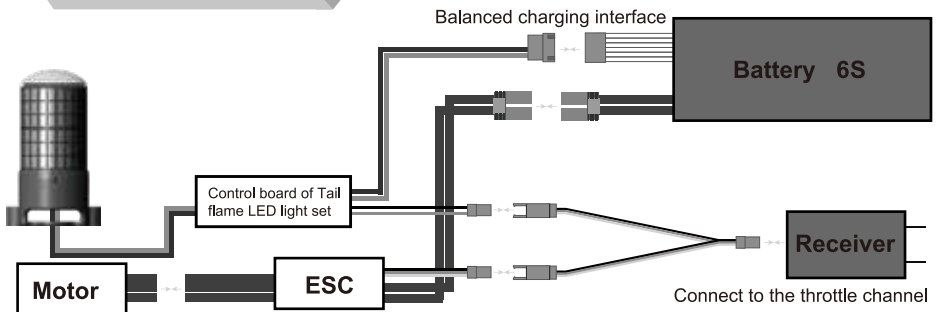


### Universal type

Use for the other brand 80/90mm EDF power system



## Cable connection



## Cautions

1. Before install, do not light up for a long time to prevent circuit damage caused by high temperature.
2. Do not touch the LED set after it has been lit for a long time to prevent scalding due to high temperature.
3. During installation, do not damage the power cord to prevent short circuit.
4. Fix the power cord to prevent accidents caused by suction into the culvert after loosening.
5. Connect the battery correctly to prevent short circuit and fire.



Dongguan Freewing Electronic Technology Ltd.  
Hongkong Freewing Model Intl Ltd.

+86 769 82 669 669

[www.freewingmodel.com](http://www.freewingmodel.com) [www.sz-freewing.com](http://www.sz-freewing.com)

[freewing@sz-freewing.com](mailto:freewing@sz-freewing.com)