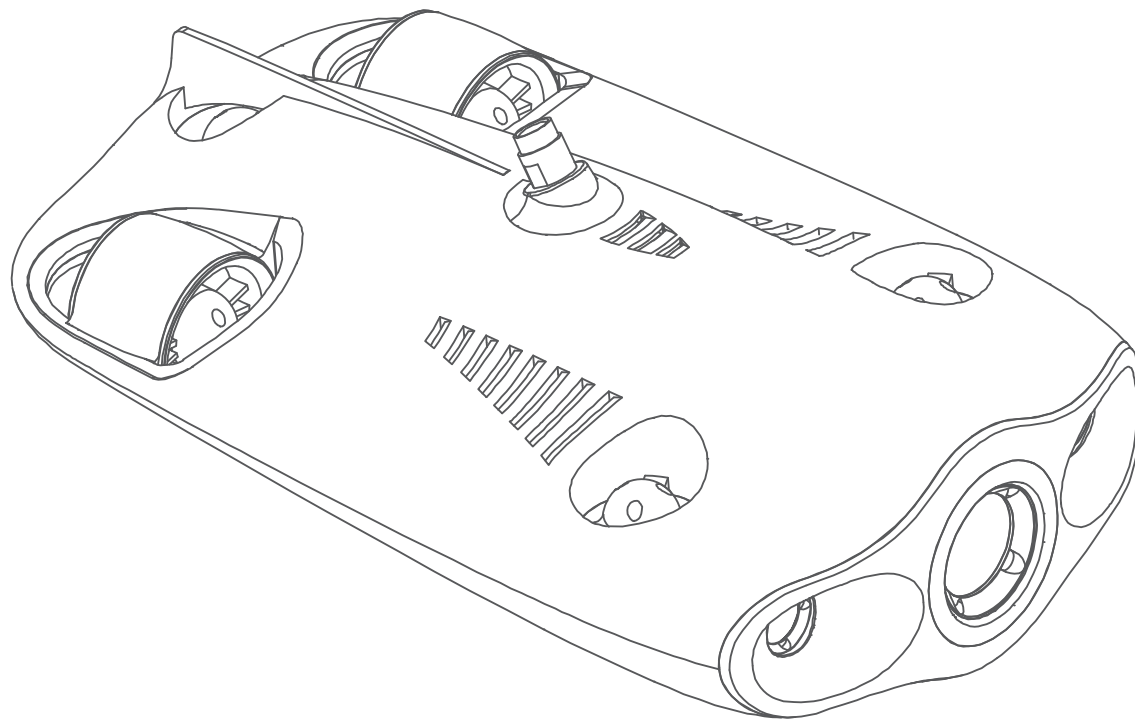


**CHASING**



**GLADIUS mini**

**CHASING**

[www.chasing.com](http://www.chasing.com)  
[support@chasing-innovation.com](mailto:support@chasing-innovation.com)

V1.0  
User Manual

# ! User Manual

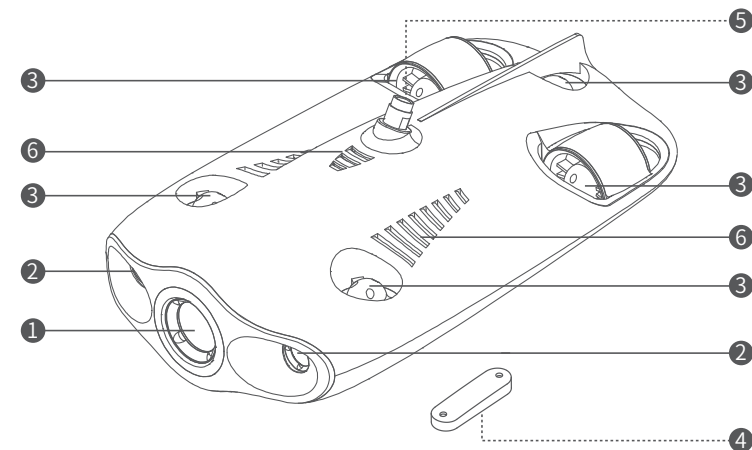
Thank you for purchasing the GLADIUS MINI underwater drone. Please read this entire document carefully before using the drone. By using this product, you hereby signify that you have read this disclaimer and all instructions carefully and that you understand and agree to abide by the terms and conditions herein.

**Chasing accepts no liability for damage, injury, or any legal responsibility incurred directly or indirectly from the use of the GLADIUS MINI in the following conditions:**

01. Damage(s) or injuries incurred when users are drunk, taking drugs, drug anesthesia, dizziness, fatigue, nausea and any other conditions no matter physically or mentally that could impair your ability.
02. Damage(s) or injuries caused by subjective intentional operations.
03. Any mental overcompensation caused by accident.
04. Failure to follow the guidance of the manual to assemble or operate.
05. Malfunctions caused by refit or replacement with non-Chasing accessories and parts, or unauthorized modification, disassembly, or shell opening not in accordance with official instructions.
06. Damage(s) or injuries caused by using third-party products or fake Chasing products.
07. Damage(s) or injuries caused by misoperation or subjective misjudgment.
08. Damage(s) or injuries caused by mechanical failures due to erosion, aging.
09. Damage(s) or injuries caused by operating the unit with a low battery alert.
10. Damage(s) or injuries caused by operating the drone out of maximum safe range and depth.
11. Damage(s) or injuries caused by knowingly operating the product in abnormal conditions( such as the assembly is not completed, or the main components have obvious faults, obvious defect or missing accessories ).
12. Damage(s) or injuries caused by operating the drone in a sensitive zone such as a military area or private waters without official permission.
13. Damage or injury caused by using in bad water conditions (such as high winds, or turbid zone).
14. Damage or injury caused by uncontrollable external factors, including severe collision, tidal wave. swallowed by animal.
15. Damage(s) or injuries caused by infringement such as any data, photo or video material recorded by the use of the GLADIUS MINI.
16. Other losses that are not covered by the scope of Chasing's liability.

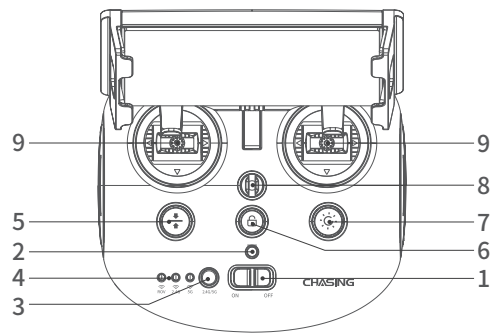
## ROV

GLADIUS MINI is a small five thruster underwater drone used for real-time observation, exploration, photography, and video capture. Its body imitates that of a submarine, and its unique design lets the GLADIUS MINI move quickly with speeds up to 2m/s (3.89Knots). It has a depth-lock mode and a self stabilizing mode. The drone can move up and down vertically and can tilt +45°. It can dive up to 100 meters (330ft) and has a high-definition camera for shooting photos and videos. The drone is easy to operate and its small size allows it to be carried in a single backpack. It has a battery life of approximately 2 hours. Whether you're diving, fishing, taking underwater photography, or yachting, the GLADIUS MINI is your best choice.

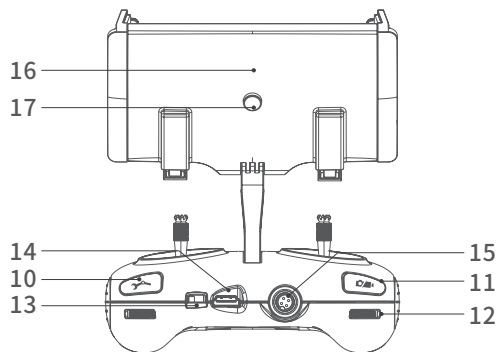


1. 4K UHD Camera
2. Dimmable LED Lights
3. Thrusters (5 Total)
4. Buoyancy Weight
5. Tether Connection Socket (Used for dives and charging)
6. Drain / Vent Holes

## Remote controller



1. Power switch: Turns controller on/off
2. Power Indicator:  
Green (High power), Blue (Medium power), Red (Low power)
3. Wi-Fi switch button: Short press to switch 5Ghz/2.4Ghz Wi-Fi
4. Signal Indicator:  
2.4G : 2.4Ghz Wi-Fi indicator, always on when working  
5G: 5Ghz Wi-Fi indicator, always on when working  
ROV (drone): Indicates the communication status between the controller and the drone (Steady light indicates successful connection; Blinking light indicates disconnection.)
5. One-key reset: Short press to reposition the ROV return to a horizontal state / Long press to switch control mode
6. Unlock: Unlock/Lock, current state of the Thruster will show on the App
7. Led Control: On/off led light (0%50%100%)
8. Safety Buckle: Can be used with a safety rope to prevent the remote control from falling



9. Control Sticks: Used to control the navigation of the ROV
10. Video/Photo: Press to start/stop video recording or take photo
11. Video/Photo Mode: Press to switch between video and photo mode
12. Left Angel Adjustment: Adjust the pitch angle
13. Type-c Port: Direct connection with mobile phone/tablet device
14. HDMI Socket: 1080P HD image real-time output
15. Tether Connection Socket/Charging socket
16. Phone/ Tablet Clamp: Used to attach phone/ tablet mount to mounting bracket
17. Clamp Button: Pull apart the two ends and put in the phone/ tablet, then press this button to tighten

▲ Note: Do not put the controller in the water to avoid damaging the device, damages caused by water ingress are not covered by the warranty.

## Handle indicators introduction

### Battery:

Red: 10% ↓ Red light flashes quickly; 10-29% Red light always on.

Blue: 30-69% Blue light always on; Green: 70-100% Green light always on;

### Signal Indicator:

2.4G: 2.4Ghz Wi-Fi indicator, always on when working.

5G: 5Ghz Wi-Fi indicator, always on when working.

ROV: Indicates the communication status between the controller and the ROV

(Steady light indicates successful connection, Blinking light indicates disconnection.)

### Gesture back Button:

The blue light is always on when the ROV is in a non-horizontal position

Unlock Button: Locking: No lights; Unlocking: Blue light on

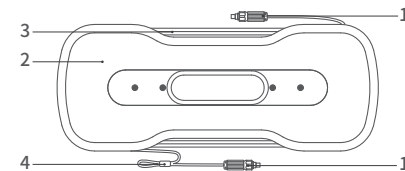
Led Control Button: Bright light: Blue light always on; Low light: Blue light flash; No light: Blue light off.

## 100/200 meters Tether & Winder

The tether is used to connect the drone and the remote controller. The winder is used to store the tether.

- |                      |             |
|----------------------|-------------|
| 1. Tether connectors | 2. Tether   |
| 3. Winder            | 4. Fastener |

▲ 1. Do not put exposed (unconnected) tether into the water or plashing liquid to the tether; 2. Check whether the O-ring on the tether connector pre-dive, make a replacement when it is missed or damaged.



## Installation & Connection

### ① Download CHASING GO1 App

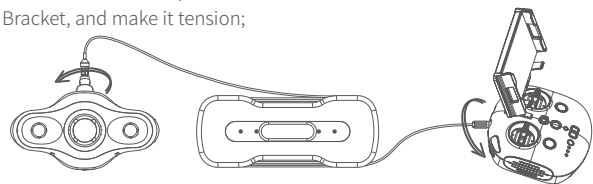
CHASING GO1 App : (To download, scan the below QR code or visit IOS App Store/Google Play. (For iOS 9.0/Android 4.4 and above)



## 2 Connect ROV with Remote Controller

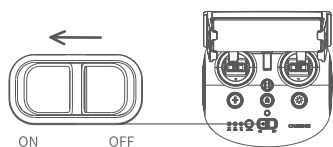
- Insert one end of the tether connector into the remote controller connector socket;
- Reserve a suitable length and hang the Buckle on the Buckle Bracket, and make it tension;
- Insert the other end of the tether connect

⚠ Warning: Check whether the O-ring on the tether connector pre-dive. If it is missed or damaged, please replace it in time.



## 3 Start (turn on) the ROV

- Turn on the remote controller power button;
- A few seconds later, the remote controller's indicator lights up, 5G or 2.4G light will be always on. The drone LED lights will flash shortly, accompanied by two self-tests sounds;
- Check all the connectors and lights pre-dive, and unlock the ROV when everything is ready underwater.



## 4 Connect remote controller to your phone/tablet

### Method 1: USB Direct Cable Connection

Choose an appropriate remote controller cable based on the type of mobile device. A Lightning connector cable, micro USB cable, and TYPE-C cable are included in the packaging. Connect the end of the cable with the mobile phone logo to the mobile device.



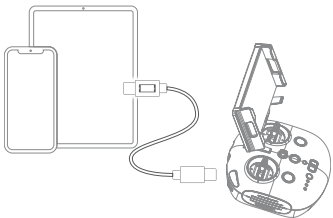
⚠ Note: \*It is recommended to use this kind of way to connect mobile phone/tablet and remote controller.

\*For iOS users, select "Auto" for IP address configuration.

\*If the Android device has a "USB OTG" switch, you need to turn it on.

\*If the connection fails, please try to turn off your phone's Wi-Fi and mobile network. If still fails, it may be a phone/tablet compatibility problem. Please select method 2---Wi-Fi connection.

\*The remote controller type-c port and attached remote controller cables do not support charging.



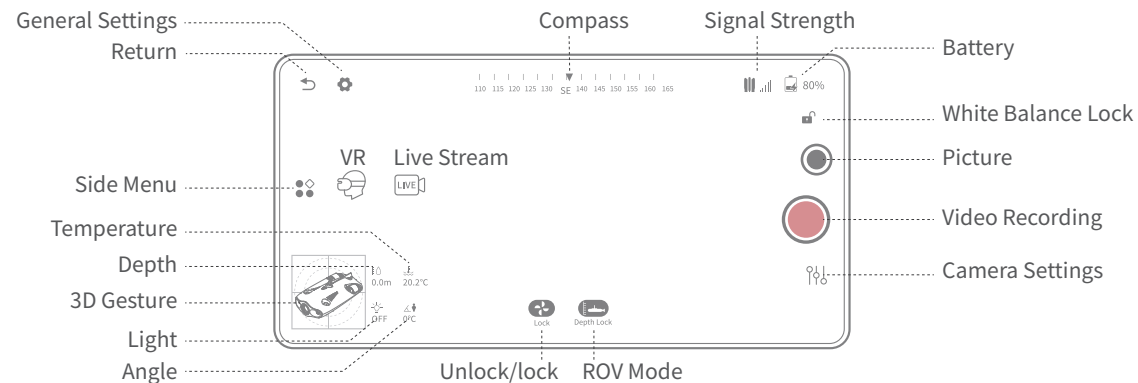
### Method 2: Wi-Fi Connection

- On the Phone/Tablet, go to Wi-Fi settings.
- Wait for 5-10 seconds and the Chasing\_XXXX network will appear as an option.
- Click to connect and enter the Wi-Fi password: 12345678

## 5 App interface Introduction

Open the APP and enter the camera, you will see the real-time scene transmission.


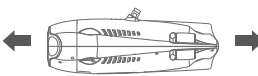

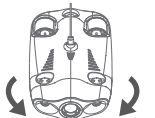

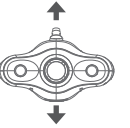

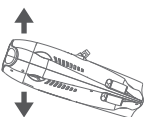
⚠ Note: You could check more guidance videos on the website page <https://www.chasing.com/>, or you could contact the global support team with any questions : [support@chasing-innovation.com](mailto:support@chasing-innovation.com)



## 6 Drop the ROV into Water

- Grasp the grips on both sides of the ROV with both hands and gently throw the ROV into the water.
- Unlock the Thruster(motors) to dive; c. For a better experience, it is recommended to ensure that the water depth exceeds 1 meter.

# Navigation

Remote Controller	ROV (Flight Direction)	Remote Controller	ROV (Flight Direction)
Left joystick 	Forward/backward 	Left joystick 	Turn Left / Right 
Right Rocker 	Up / Down 	Scroll the Left Wheel 	Turn the Dial to Adjust the Pitch Attitude 

# Video and Photo Download

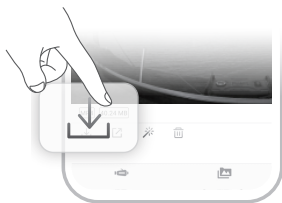
## 1 Connect Wi-Fi

- 1) Connect the ROV with remote controller by the tether, Switch remote controller power button to on.
- 2) Find the chasing\_xxxxxxx Wi-Fi on the phone/tablet/ laptop Wi-Fi list.
- 3) Input Wi-Fi Password :12345678



## 2 Download to Phone/Tablet

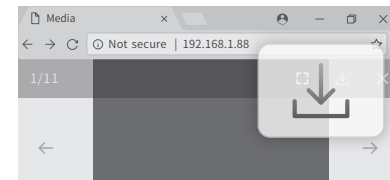
- 1) Open CHASING GO1 App, click the Media button in the lower right corner.
- 2) Find the video/photo that you want to download. Click the download button and the image will be saved directly to the phone/tablet's photo album (Download folder).



## 3 Download to Computer

( laptop or the computer which could use Wi-Fi )

- 1) Open the web browser and type IP address:192.168.1.88
- 2) Find the video/photo that you want to download. Click the download icon and save, then the images will generally save in the Download folder.
- 3) It is recommended to use Firefox or Google Chrome browser for better experience.



# Charging Guidance

ROV & Remote Controller:

Adapter (12.6V 3A) : It is a 2 in 1 charger that could charge the ROV, Remote Controller. Red light indicates Charging, Green light indicates fully charged.

# Specifications

## Drone

Size	15.2x8.9x5.4 inch
Battery Capacity	55.5Wh (5000mAh)
Weight	<5.5 lbs
Buoyancy	-0.02 lbs~-.02 lbs
Operating Temperature	14°F~140°F
Maximum Depth	328 ft
Maximum Speed	4Kn (2m/s)
Maximum Rise/Fall Speed	2Kn (1m/s)
Maximum Flow Resistance	2Kn (1m/s)
Battery Life	2h(Forward at low speed in fixed depth mode)
Battery Cycle	>300 times

## Remote Controller

Size	6.3*6.1*4.9 inch
Weight	0.685kg
Battery capacity	2500mAh
Battery life	≥6H (Depend on working condition)
Wireless	Wi-Fi
HDMI	1080P

## Tether & Winder

Weight	2.65lbs(164 ft)/3.97lbs(328 ft)
Tether	50m/100m

## Camera

CMOS	1/2.3 inch
Aperture	F3.0
Focal Length	4.0mm
ISO Range	100-3200 (Still camera only)
Field of View	95°
Maximum Image Resolution	12M(4000*3000)
Image File Types	JPEG/DNG
	FHD: 1920x1080 30Fps
	FHD: 1920x1080 60Fps
Video Resolution	FHD: 1920x1080 120Fps
	UHD: 3840x2160(4K) 30fps
Video Maximum Stream	60M
Video Type	MP4
SD Card Memory	64G

## Dimmable LED Lights

Brightness	2x1200LM
Color Temperature	4000K-5000K
CRI	80
Maximum Power	2x10W
Dimming	Manually adjustable

## Sensor

IMU	Three-axis gyroscope/acceleration/compass
Depth Sensor	+/- 1.64 ft
Temperature Sensor	+/- 35.6°F

## Adapter

Adapter	3A/12.6V
Drone charging time	2h (Maximum image resolution)

## 5 Thruster/ Propeller



- Do not touch the propellers of the Thruster
- Do not unlock the Thruster for more than 30 seconds in the air to avoid overheating
- After using the ROV in the salt water, please put it in fresh water for about 1 hour and turn it on, let the drone run for 10 minutes to discharge the salt, and try out the water after cleaning with a towel.

## 6 Connector Sockets / Tether Connectors

Check the Connector socket and tether pre-dive, keep dry and clean. Salt and moisture may cause corrosion of the connector. Be sure to wash the socket with fresh water if the interface has water stains, and make the connectors dry after cleaning.

## Other

- Do not turn on the LED lights before entering the water to avoid damages.
- Check if the Thrusters/propellers are getting stuck by seaweed or external matters, rinse the ROV with fresh water and then dry and put it back in the packing box.
- Remote control cannot be washed with water, please clean it with towel.
- The pull ring at the end of the battery can only be used to remove the battery, not to lift the ROV, otherwise it may damage the ROV.
- Do not place heavy objects on drone or accessories to avoid possible damage.
- People under the age of 16 should only use this drone under adult supervision.
- When not in use, please do not expose the drone and accessories under sunlight. Store it in a cool place or in a special box.
- Chloride or other chemicals can erode GLADIUS MINI. Do not use if the pool is under high chlorine level.

## Support

Any questions about our products please contact by support@chasing-innovation.com or leave a message on the Chasing Website (<https://www.chasing.com>) chatting window.

# Maintenance and Precautions

## 1 Navigation Safety



Open sea navigation



Relatively clear water quality, no dense seaweed

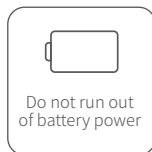


No dense radio or radar signals

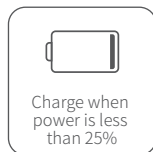


330ft  
↓  
Do not dive more than 330 ft

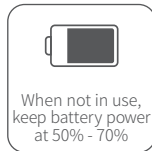
## 2 Battery Protection



Do not run out of battery power



Charge when power is less than 25%



When not in use, keep battery power at 50% - 70%



Working temperature  
-10 °C ~ 60 °C  
(-18°F-140°F)

## 3 Charging Protection

- Only use the Chasing standard adapter.
- Red light means charging.
- Green light means fully charged.

## 4 O-ring

- Check whether the O-ring on the tether connector pre-dive. If it is missed or damaged, please replace it in time.

You could have the latest user manual by the <http://www.chasing.com>

This content is subject to change without prior notice.