

FOR DETAILED MANUAL AND PARTS FINDER. PLEASE GO TO HERE

有关详细的手册和零件查找器。请到这里

PER MANUALE DETTAGLIATO E RICERCA PARTI. PER FAVORE, VAI QUI
FÜR DETAILLIERTE HANDBUCH UND TEILESUCHE. BITTE GEHEN SIE HIER
POUR LE MANUEL DÉTAILLÉ ET LA RECHERCHE DE PIÈCES. VEUILLEZ ALLER ICI
詳細なマニュアルと部品の詳細については。ここに行ってください



Visit us on www.carisma-shop.com
請到：www.carisma-shop.com
Visitateci su www.carisma-shop.com
Besuchen sie uns auf www.carisma-shop.com
Visitez notre site www.carisma-shop.com
www.carisma-shop.com で私達を訪問します

©2021 Carisma. All Rights Reserved. Product specifications are subject to change.
Some models shown are prototypes which may vary slightly from what is inside.

©2021 凱司瑪版權所有。產品規格可能有變動。顯示的一些模型是初型，可能與商品內部略有不同。

©2021 Carisma. Tutti i diritti riservati. Le caratteristiche del prodotto sono soggette a modifiche.
Alcuni prodotti mostrati sono prototipi e possono differire leggermente da quanto fornito.

©2021 Carisma. Alle Rechte vorbehalten. Die Eigenschaften der Produkte können Änderungen unterliegen.
Einige dargestellte Produkte sind Prototypen und können leicht von dem Inhalt unterscheiden.

Copyright 2020 Carisma. Tous droits réservés. Les spécifications du produit peuvent changer. Certains
modèles présentés sont des prototypes qui peuvent être légèrement différents du modèle commercialisé.

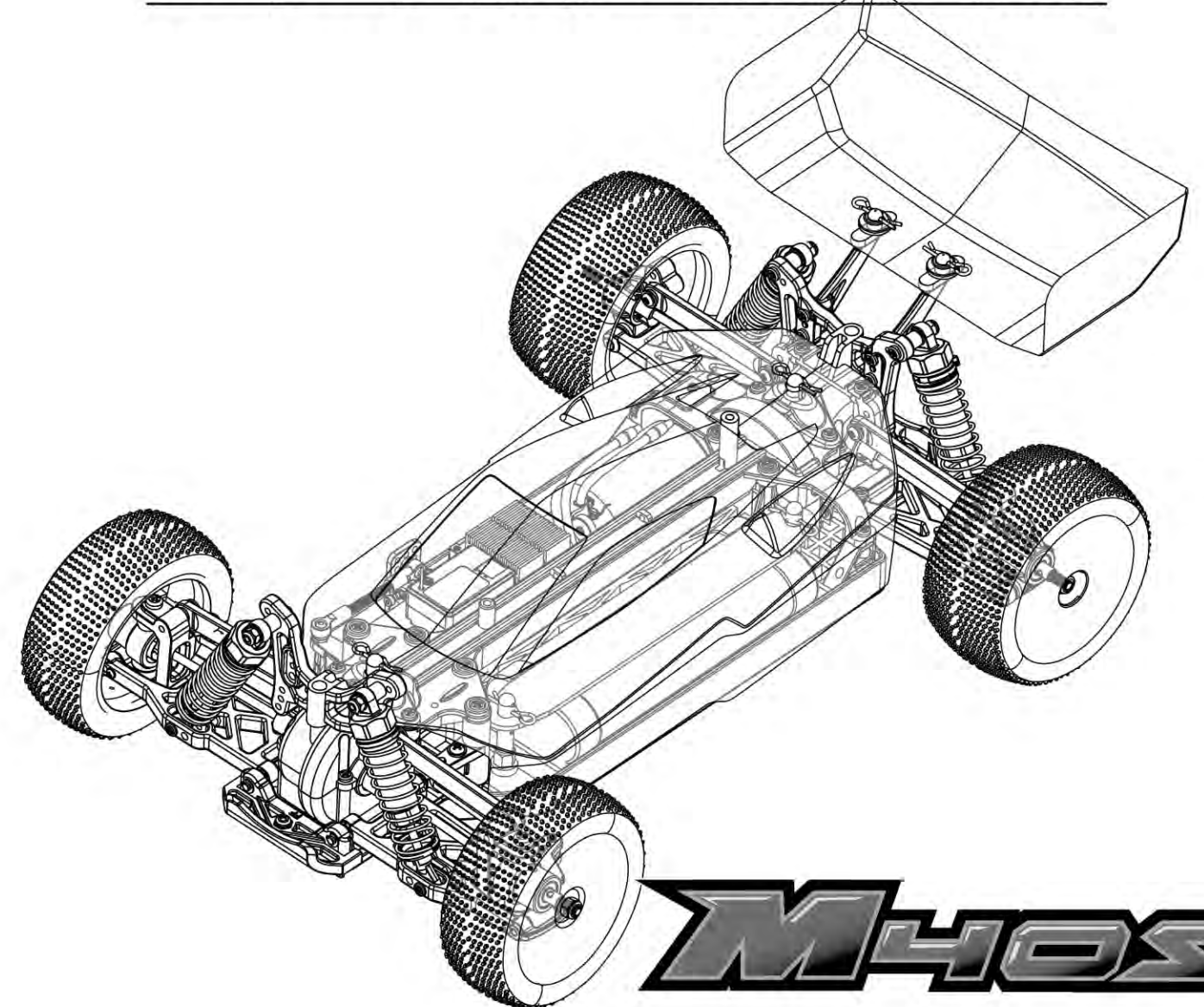
©2021 年カリスマ、すべての権利予約します。製品の仕様は予告変更。モデルがプロトタイプから中身が若干異なる場合があります。

Printed in China
中国印刷
Stampato in Cina
Gedruckt in China
Imprimé en Chine
中国で印刷されます。

MAN-G00800



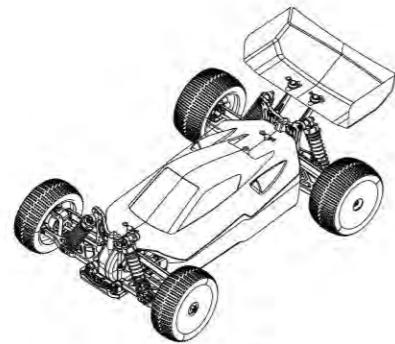
USER MANUAL & SETUP GUIDE
用戶手冊和設置指南
MANUALE D'USO E DI MONTAGGIO
Bedienungs - und Bauanleitung
Manuel de l'utilisateur et guide de réglages
ユーザー マニュアル ・ セットアップ ガイド



WHAT'S IN THE BOX



Transmitter



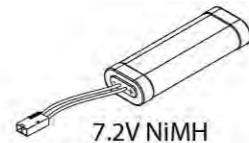
R/C Car



4 x AA Batteries



USB
Charger

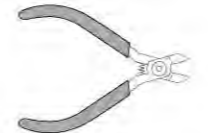


7.2V NiMH
Battery Pack

TOOLS RECOMMENDED (NOT INCLUDED)



Long Nose Pliers



Nippers



Soft Brush



Large Screwdriver



Small Screwdriver



Hex Driver

SAFETY PRECAUTIONS

SAFETY PRECAUTIONS

Beginner should seek advice from experienced person in order to assemble the model or parts correctly and to make best performance.
* Assemble this model or parts only in place out of children's reach, and take safe precautions before operating this model. User is fully responsible for the model assembly and safe operations.

**THIS MODEL IS ONLY SUITABLE FOR PEOPLE 14 YEARS OLD AND UP.
THIS RADIO CONTROL MODEL IS NOT A TOY.**

Introduction

This is a sophisticated hobby product and not a toy. It must be operated with caution and common sense. User also requires some basic mechanical abilities. Fail to operate this product in a safe and responsible manner could result in injury or do damage to the product or other properties. This product is not intended for use by children without direct adult supervision. The product manual contains instructions for safe operation and maintenance. It is essential to read and follow all the instructions and warnings in the manual prior to assembly, setup or use, in order to operate correctly and avoid damage or injury.

Safety, Precautions, and Warnings

As the user of this product, you are solely responsible for operating it in a manner that does not endanger yourself and others or result in damage to the product or the property of others.

This model is controlled by a radio signal that is subject to interference from many sources outside your control. This interference can cause momentary loss of control so it is necessary to always keep a safe distance in all directions around your model, as this will help to avoid collisions or injury.

- Always operate your model in an open area away from cars, traffic, or people.
- Avoid operating your model on the street where injury or damage can occur.
- Never operate the model out into the street or populated areas for any reason.
- Never operate your model with low transmitter batteries.
- Carefully follow the directions and warnings for this product and any optional support equipments (chargers, rechargeable battery packs, etc.) that you use.
- Keep all chemicals, small parts and anything electrical out of the reach of children.
- Moisture causes damage to electronics. Avoid water exposure to all equipments not specifically designed and protected for this purpose.

STUDY THE INSTRUCTIONS THOROUGHLY BEFORE ASSEMBLY.

There are many small screws, nuts and similar parts. Please refer to the column on the left to know the exact size. To prevent trouble and finish the model with good performance, it is necessary to assemble each step exactly as shown.

ABOUT THE RADIO SYSTEM

CTX-8000 2.4GHZ FHSS TECHNOLOGY SYSTEM

The following is an overview of the various functions and adjustments found on CTX-8000 radio system. It is important to read and understand these functions and adjustments before driving your Crawler.

TRANSMITTER FUNCTIONS:

Steering Wheel: Controls the turning direction of the Crawler (left/right).

Throttle Trigger: Controls the speed and direction of movement (forward/brake/reverse) of the Crawler.

On/Off Switch: Powers the transmitter on and off.

FTN Key: Used to synchronize the connection between the transmitter and receiver. May also serve as an additional function on different models.

LED Indicator: Glows green or red to indicate low battery power, synchronizing in progress, setting endpoints, and normal operation.

ATV: Adjust the maximum steering throw in both directions when turning the Crawler left of right.

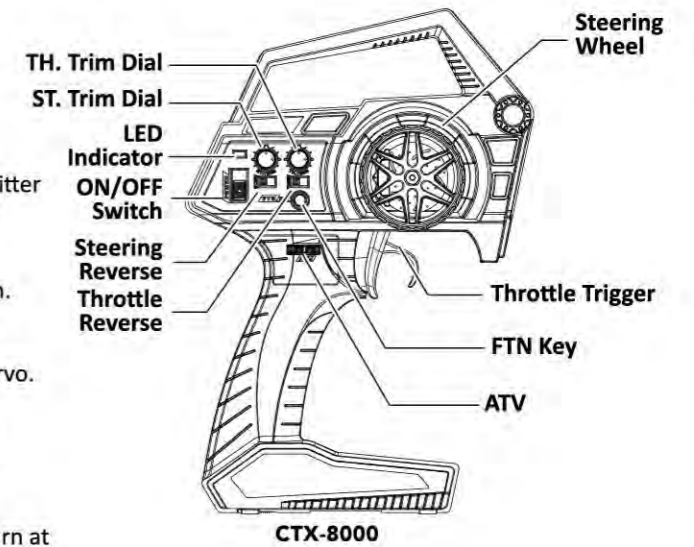
ST. Trim: Adjusts the neutral (centered) position of the steering servo.

TH. Trim: Adjusts throttle neutral position.

Steering Reverse: Reverses the L/R direction when operating the steering wheel.

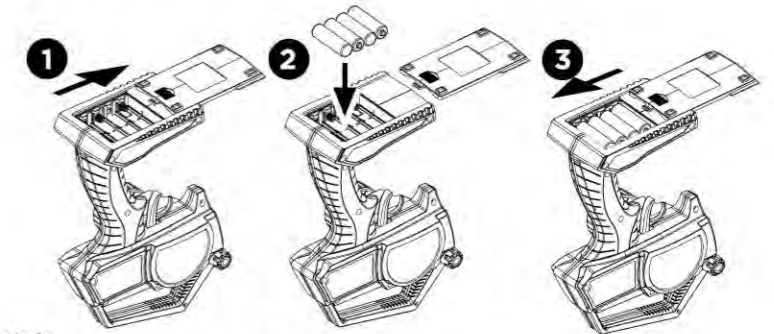
Throttle Reverse: Reverses the forward/reverse direction when operating throttle.

Usually, drivers will experience understeer when making a wide turn at high speed or oversteer when attempting sharp turns at high speed (easy to spin out). Drivers should practice a smooth application of both steering and throttle for various cornering speeds and road surfaces.



BATTERY INSTALLATION

1. Remove the battery compartment cover as shown.
2. Install the batteries observing the correct polarity as marked on the battery compartment.
3. Reinstall the battery compartment cover as pictured.



Warning:

Never disassemble alkaline batteries or place batteries in fire or near chemical agents, as personal injury or property damage can occur.

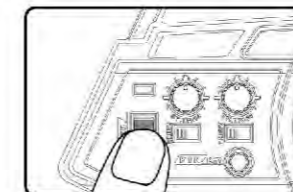
Battery Disposal:

- Observe local environmental regulations regarding disposal of expired batteries.
1. After use, dispose old batteries in designated areas far away from any water supply, household areas and plants.
 2. Submit the used batteries to specified battery recycling stations. Visit www.call2recycle.org for directions to battery recycling centers near you.

BATTERY LED INDICATOR

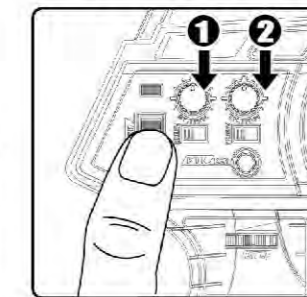
The Green LED indicator located on the front left side of the transmitter provides a visual status of battery condition. The green LED will illuminate solid, indicating that the batteries have sufficient power. When batteries voltage drops below 4 volts, LED will flash red, indicating the batteries are low and should be replaced.

- Solid GREEN :** Sufficient Power supply
- Flashing RED :** Time to replace batteries



GREEN

BEFORE DRIVING YOUR CAR



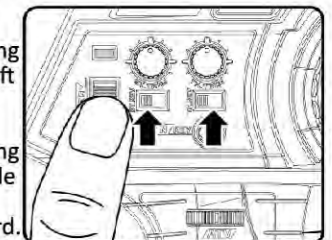
1. **Steering:** Adjust the steering trim so that the Crawler goes in a straight line without needing to touch the steering wheel.
2. **Throttle:** Adjust the throttle trim so that the vehicle remains at rest (not moving) when the throttle trigger is in the neutral position.

SERVO REVERSING

Use this feature to change the direction of steering wheel and throttle trigger.

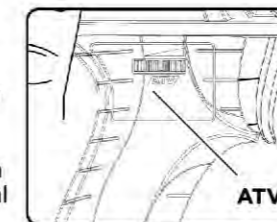
Steering Reverse: Reverses the response direction when operating steering wheel. Right becomes left and vice versa.

Throttle Reverse: Reverses the response direction when operating throttle trigger. Pulling the throttle trigger becomes reverse and pushing the trigger is now forward.



ATV

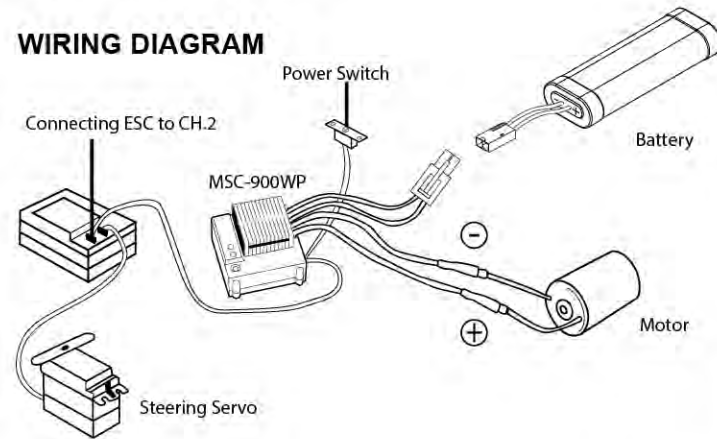
ATV (adjustable travel volume) allows the driver to adjust the maximum steering angle in both directions. Experiment to find the ideal setting for your vehicle based on the running surface and personal preference.



ATV

MUG-E Electrics

WIRING DIAGRAM



Model No.: MSC-900WP

Model Name: Electronic Speed Controller (up to 12T motor)

Revision: R5

1. PRODUCT SPECIFICATION:

- A. Water proof
- B. Programmable:
 - Programmable Battery Type: NiMH or LiPo
 - End points calibration
 - ESC mode:
 - a. Forward/Reverse with Smart Brake
 - b. Forward only with Brake
 - c. Crawler Mode
- C. Thermal protection
- D. Stall protection
- E. Over and Under Voltage Protection
- F. LED indicator: LED

Just after power on:
LED will be flashed for 2 second to indicate the currently selected battery type:
- Flashing Green: Battery = NiMH
- Flashing Red: Battery = LiPo

Normal operation
Stop: Green LED solid on (Forward/Reverse with Smart Brake)
Flashing Green LED (Forward Only with Brake)
Red + Green solid on (Crawler Mode)
Forward (not full speed): All LED OFF
Forward (full speed): Red LED ON
Reversing (not full speed): All LED OFF
Reversing (full speed): Green LED ON
Brake: Red and Green LED solid on

Overheat:
Alternatively flashing Red and Green LED quickly
And beep quickly

Motor Stalled:
Flashing Red quickly 3 times, stop for a while and repeat again
And beep quickly

Battery Over Voltage (battery over 10V):
Red LED flashing slowly, Green LED flashing once per second
And beep quickly

Battery Under Voltage (4.5V for NiMH, 6.1V for LiPo):
ESC disable motor output, LED indicator as normal operation

G. Programming Procedure:

- Set the TH end-point travelling to max, and Throttle Trimmer at center position
- Hold the Throttle Trigger at Max Forward/Reverse position and then power on the ESC
- Keep holding the TH at Max Forward/Reverse until beep once and both LED flashing, then release TH to stop position
- Now, ESC at "selecting item to be programmed stage", ESC will display the follow pattern one by one, and then repeat:
 - A. Green LED only Toggle Battery Type
 - B. Red LED only End points calibration
 - C. Red + Green LED Toggle ESC Mode
- When the throttle is moved to max Fwd/Rev, ESC will execute the setting task:
 - a. Battery Type Selection
 - LED will indicate currently selected battery type, it will be displayed for 4 sec:
 - solid red = LiPo
 - solid green = NiMH
 - If user pull/pull the TH to max fwd / max rev with 4 sec, ESC will beep once and select another battery type. And ESC will provide another the 4 second time to allow user to select battery type.
 - If after 4 second, user do not pull/push TH, programming will be ended
 - both LED flashed 3 times with 3 beep, finally all LED turn off
 - User need to power off and turn on again to return to normal operation
 - b. End points calibration
 - while waiting TH return to stop, keep flashing green LED.
 - Once stop position is detected, green LED solid on for 1 sec and beep once, and then
 - while waiting TH move to max Fwd, keep flashing red led, once max fwd position detected, Red LED solid on for 1 sec and beep once, and then
 - while waiting TH move to max Rev, keep flashing green led + red solid on, once max rev position detected, green led solid on for 1 sec and beep once, and then
 - both led flashing 3 times with 3 beep, finally all LED turn off
 - User need to power off and turn on again to return to normal operation



MBC-24 USB Charging

The Bug-E comes supplied with a USB Trickle Charger. The MBC-24 is designed to charge a 7.2V NiMH battery ONLY.
Note: DO NOT CHARGE ANY OTHER TYPE OF BATTERY.
It is NOT intended for LiPo or Li-ion packs.

When connected to a standard USB power source, a red LED will light up indicating that the power is ON. The trickle output current is 100mA, and has safe charging time for a fully drained battery to fully charged of about 14 hours.
After charging, disconnect the USB charger, the battery should feel slightly warm. Part charged packs will peak much faster, so if the battery becomes warm early on in charge cycle, please disconnect the USB Charger and run until fully discharged. It is always best to fully discharge and cycle NiMH packs. It may take a few cycles for your pack to reach its full potential.

Note: Always charge the battery under supervision and do not leave the charging battery unattended. The red LED will NOT turn off, it only indicates power is present to charger.

c. Select ESC Mode

- LEDs will indicate the currently selected ESC mode:
- solid Green LED only = Forward / Reverse with Smart Brake
- flashing Green LED only = Forward only
- Red and Green LED solid on = Crawler mode
- user can push/pull TH to select next ESC mode within 4 second
- once user push/pull TH, ESC will beep once, and display newly selected ESC mode, and with will start 4 second timer to allow user to select the ESC mode
- If after 4 second, user do not pull/push TH, programming will be ended both LED flashed 3 times with 3 beep, finally all LED turn off
- User need to power off and turn on again to return to normal operation
- Remark:
 - When TH at stop position, the green LED indicate the current ESC mode:
 - Green LED Solid On = Forward / Reverse with Smart Brake Mode
 - Green LED flashing = Forward Only with Brake
 - Red and Green LED Solid On = Crawler Mode

H. Electrical Specification:

- Forward:
 - Max instantaneous Current: 380A
 - Max continuous Current: 38A
 - On resistance: 0.0028 ohm
- Backward:
 - Max instantaneous Current: 190A
 - Max continuous Current: 19A
 - On resistance: 0.0056 ohm
- PWM frequency:
 - 1 kHz
- Operation Voltage: 4.8V ~ 8.4V
- BEC: 5.6V/1A max at 7.2V

I. Smart Brake:

When Throttle changed from Forward to Reverse or Reverse to Forward, ESC will brake the motor instead of reverse the motor immediately. And ESC will remind in brake stage unless Throttle returned and stay at Stop position over a short period.

Binding Instructions

- Step 1: Power off Both Car and Radio
- Step 2: Press and HOLD the Sync Button on the Receiver and then Power ON the ESC. (DO NOT TOUCH THE TX)
- At this point, the LED on the receiver will flash. You can now release the SYNC Button.
- Step 3: Press and HOLD the SYNC Button on the RADIO and then POWER on the RADIO.
- At this point the radio LED will flash and begin the binding process.
- When the LED stop flashing, its connected.
- Once it fails to connect, bring the TX and RX closer and try again.

FCC Information

This equipment has been tested and found to comply with the limits for a Class B digital device, pursuant to part 15 of the FCC Rules. These limits are designed to provide residential protection against harmful interference in a residential installation. This equipment generates, uses, and can radiate radio frequency energy and, if not installed and used in accordance with the instructions, may cause harmful interference to radio communications. However, there is no guarantee that interference will not occur in a particular installation. If this equipment does cause harmful interference to radio or television reception, which can be determined by turning the equipment on and off, the user is encouraged to correct the interference by one or more of the following measures: Reorient or relocate the receiving antenna. Increase the separation between the equipment and the receiver. Connect the equipment into an outlet on a circuit different from that to which the receiver is connected.

FCC Warning:

The equipment may generate or use radio frequency energy. Changes or modifications to this equipment may cause harmful interference unless the modifications are expressly approved in the instruction manual. Modifications not authorized by the manufacturer may void the user's authority to operate this device. This device complies with part 15 of the FCC Rules. Operation is subject to the following two conditions (1) This device may not cause harmful interference, and (2) this device must accept any interference received, including interference that may cause undesired operation.

Limited Warranty

Warranty Period: Carisma R/C warrants that the SC-1E ("Product") will be free from original factory defects in materials and workmanship upon purchase ("Warranty Period"). **What is Not Covered** - This warranty is not transferable and does not cover (a) cosmetic damage, (b) damage due to acts of God, accident, misuse, abuse, negligence, commercial use, or due to improper use, installation, operation or maintenance, (c) modification to any part of the Product, (d) attempted service by anyone other than a Carisma R/C authorized service center, or (e) Product not purchased from an authorized Carisma RC dealer.

OTHER THAN THE EXPRESS WARRANTY ABOVE, CARISMA RC MAKES NO OTHER WARRANTY OR REPRESENTATION, AND THEREFORE DISCLAIMS ANY AND ALL IMPLIED WARRANTIES, INCLUDING, WITHOUT LIMITATION, THE IMPLIED WARRANTIES OF NON-INFRINGEMENT, MERCHANTABILITY AND SUITABILITY FOR A PARTICULAR PURPOSE. THE PURCHASER ACKNOWLEDGES THAT THEY ALONE HAVE DETERMINED THAT THE PRODUCT WILL MEET THE REQUIREMENTS OF THEIR INTENDED USE.

Purchaser's Remedy - Carisma RC's sole obligation and purchaser's sole and exclusive remedy shall be that Carisma RC will, at its option, either (a) service, or (b) replace, any Product determined by Carisma RC to be defective. Carisma RC reserves the right to inspect any and all Product(s) involved in a warranty claim. Service or replacement decisions are at the sole discretion of Carisma RC. Proof of purchase is required for all warranty claims. **SERVICE OR REPLACEMENT AS PROVIDED UNDER THIS WARRANTY IS THE PURCHASER'S SOLE AND EXCLUSIVE REMEDY.**

Limitation of Liability

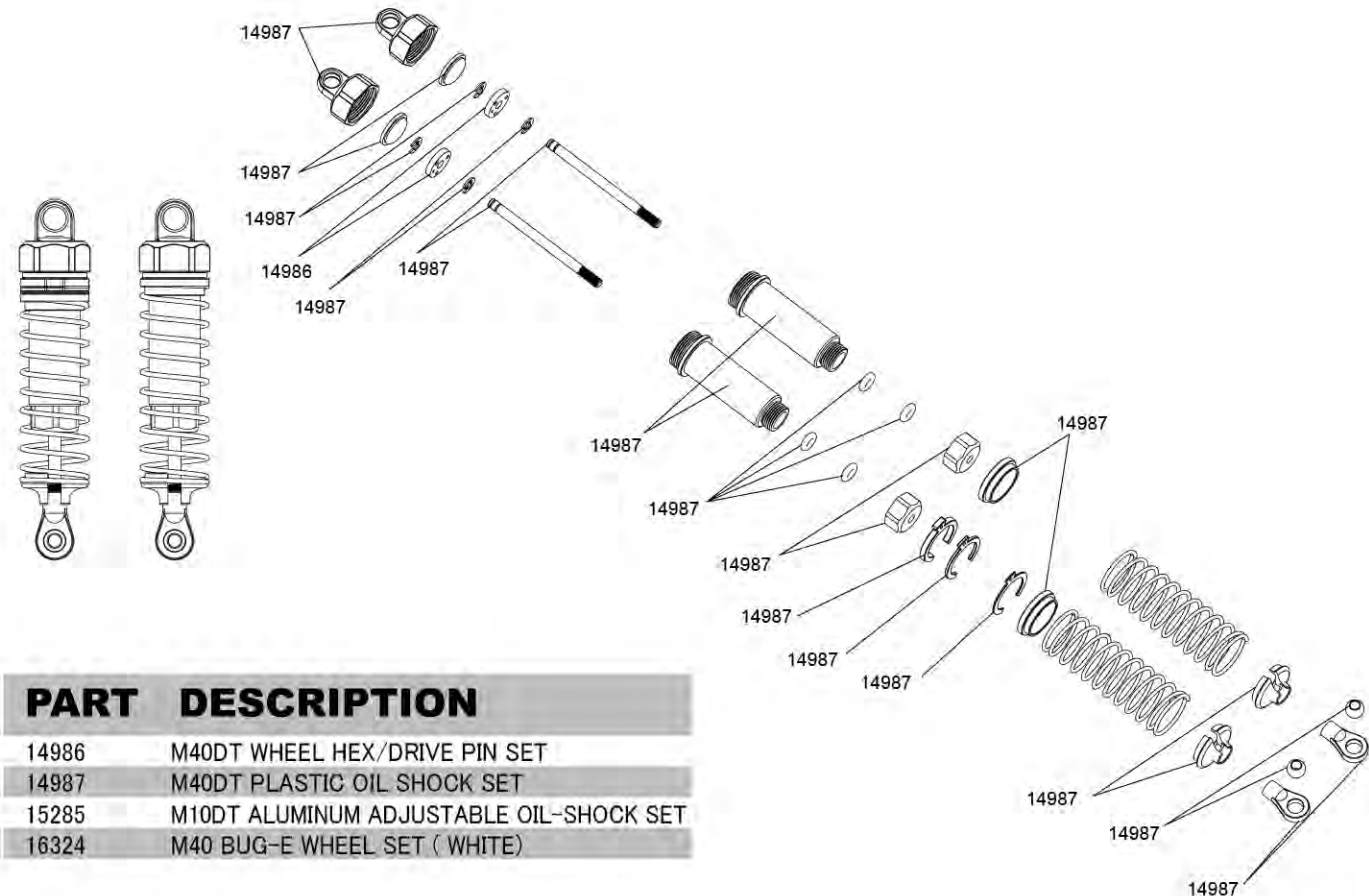
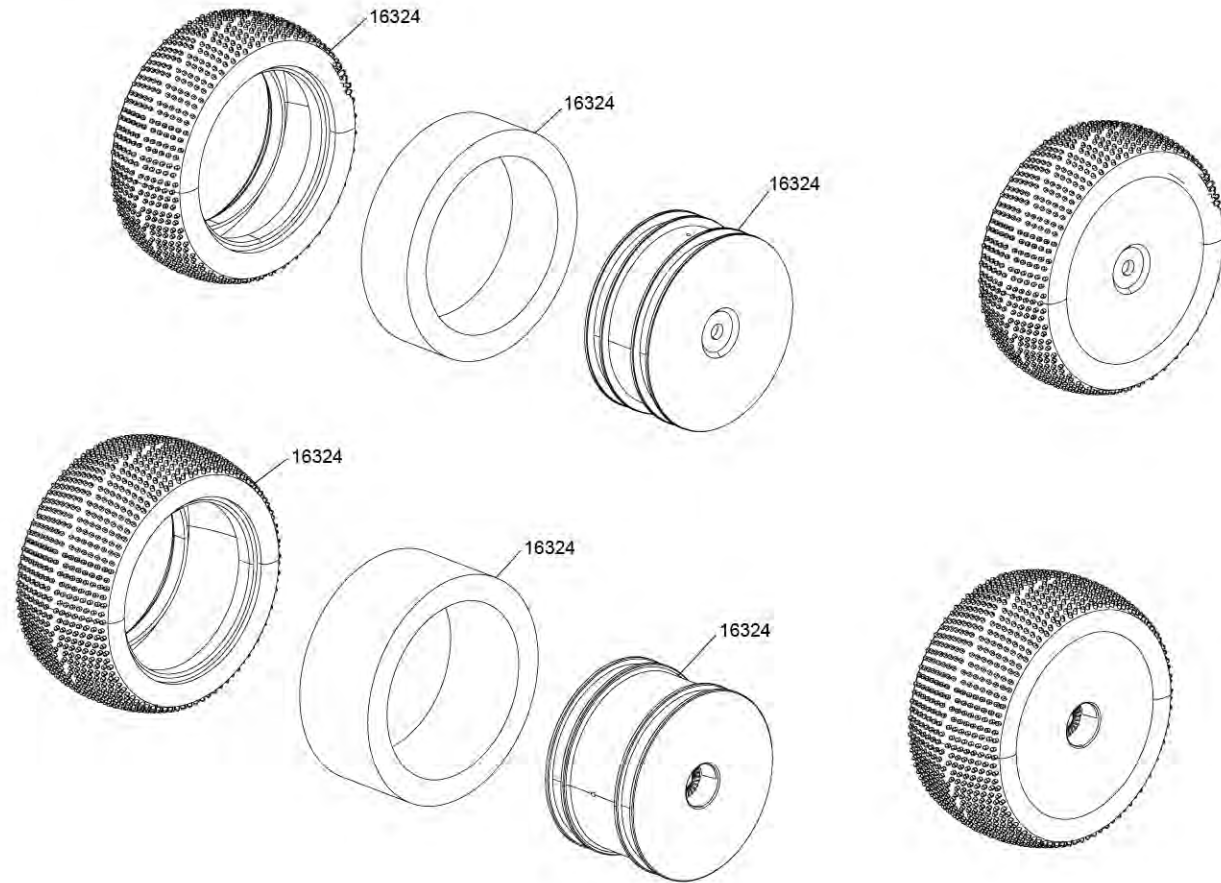
CARISMA RC SHALL NOT BE LIABLE FOR SPECIAL, INDIRECT, INCIDENTAL OR CONSEQUENTIAL DAMAGES, LOSS OF PROFITS OR PRODUCTION OR COMMERCIAL LOSS IN ANY WAY, REGARDLESS OF WHETHER SUCH CLAIM IS BASED IN CONTRACT, WARRANTY, TORT, NEGLIGENCE, STRICT LIABILITY OR ANY OTHER THEORY OF LIABILITY, EVEN IF CARISMA RC HAS BEEN ADVISED OF THE POSSIBILITY OF SUCH DAMAGES.

Further, in no event shall the liability of Carisma RC exceed the individual price of the Product on which liability is asserted. As Carisma RC has no control over use, setup, final assembly, modification or misuse, no liability shall be assumed nor accepted for any resulting damage or injury. By the act of use, setup or assembly, the user accepts all resulting liability. If you see the purchaser or user are not prepared to accept the liability associated with the use of the Product, purchaser is advised to return the Product immediately in new and unused condition to the place of purchase. This warranty gives you specific legal rights, and you may also have other rights which vary from country to country, or state to state. Carisma RC reserves the right to change or modify this warranty at any time without notice.

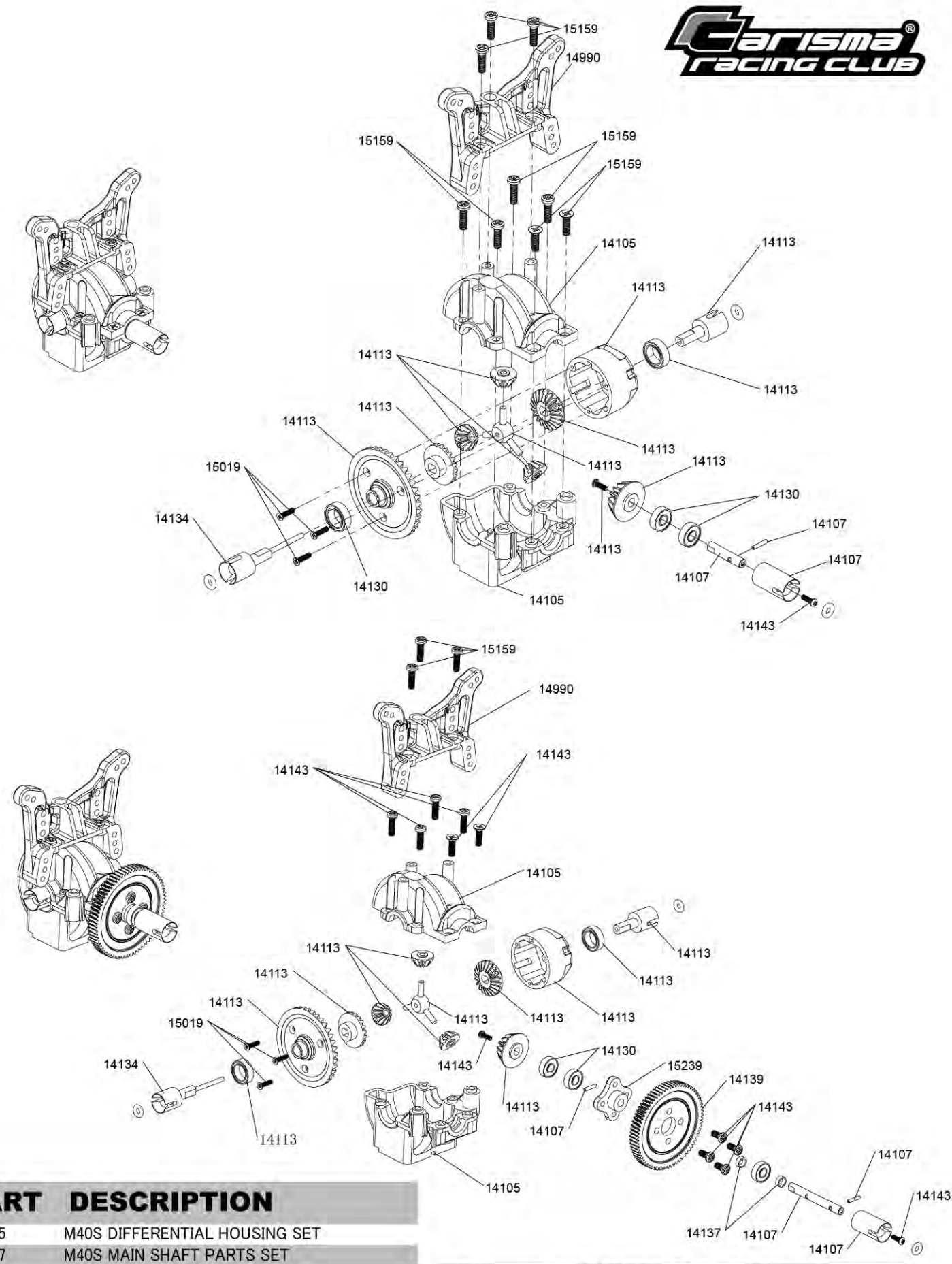
Carisma LTD

21/ Floor, Kingsway Industrial Building,
Phase 2, 173 - 175 Wo Yi Hop Road,
Kwai Chung, N.T., Hong Kong.

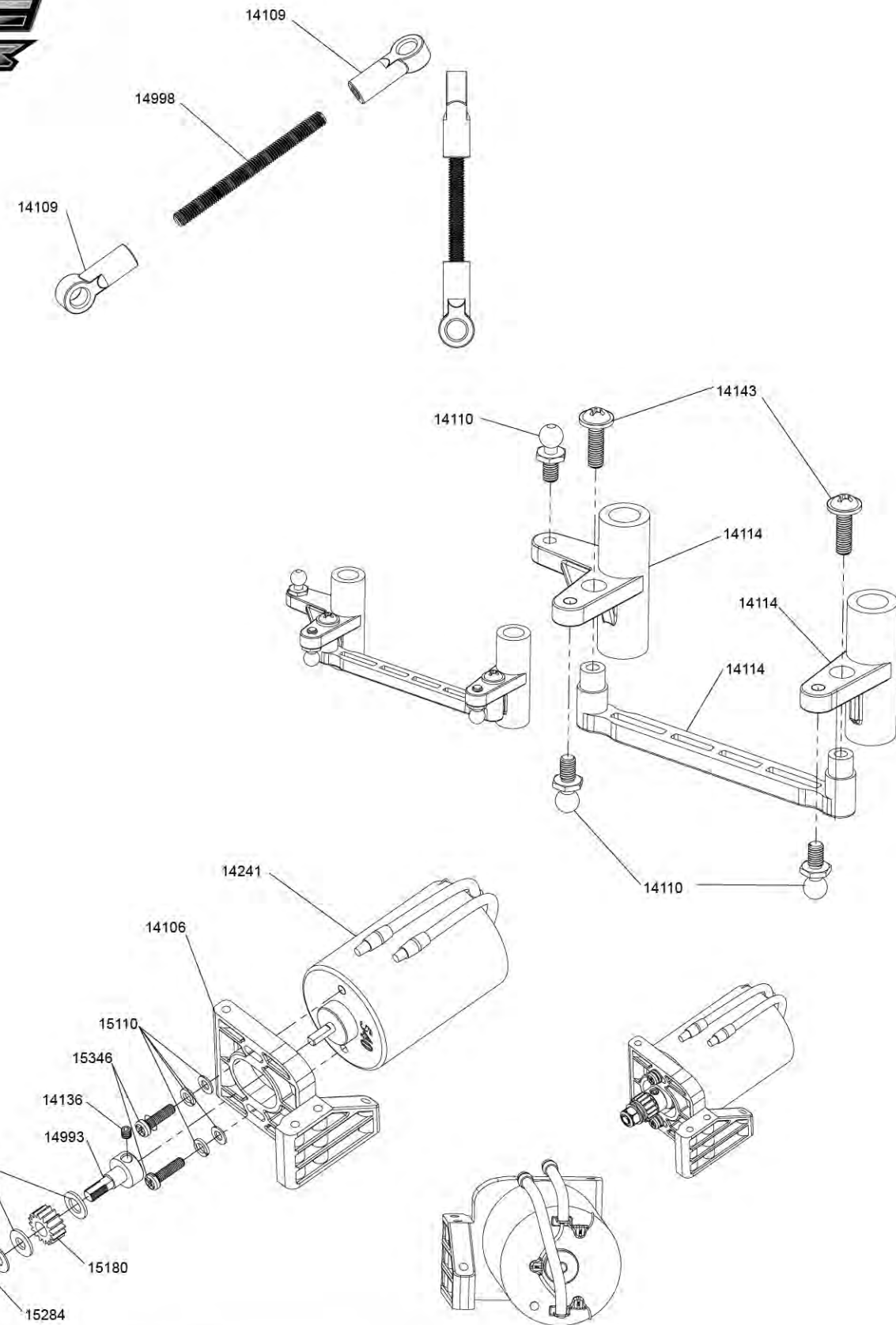
Note: For official Carisma RC spare parts, see your local hobby shop or place of purchase first. If unavailable, parts can be ordered direct at: <http://www.carisma-shop.com>



PART DESCRIPTION	
14986	M40DT WHEEL HEX/DRIVE PIN SET
14987	M40DT PLASTIC OIL SHOCK SET
15285	M10DT ALUMINUM ADJUSTABLE OIL-SHOCK SET
16324	M40 BUG-E WHEEL SET (WHITE)

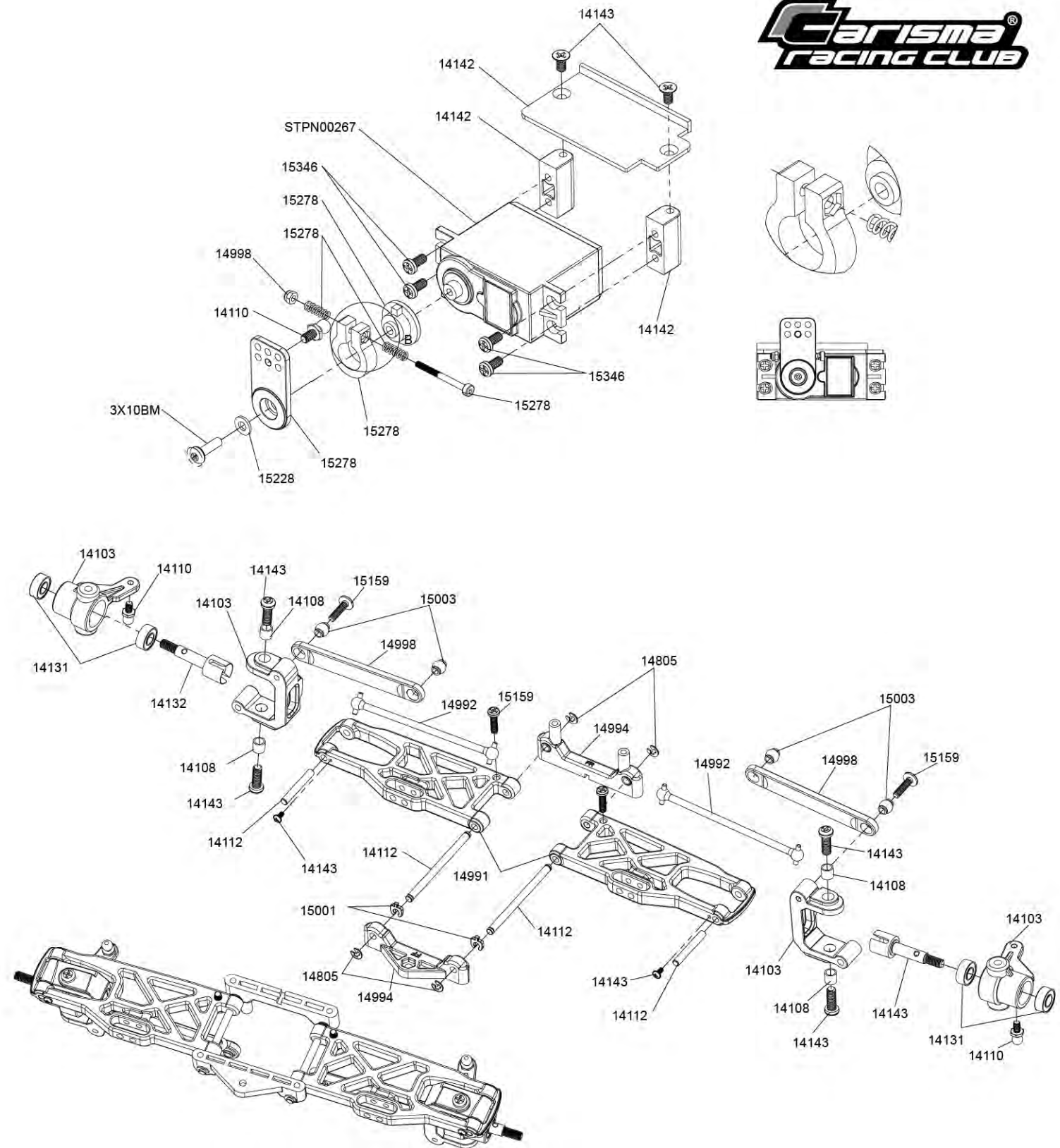


PART DESCRIPTION	
14105	M40S DIFFERENTIAL HOUSING SET
14107	M40S MAIN SHAFT PARTS SET
14113	M40S DIFFERENTIAL GEAR SET
14130	M40S BALL BEARING 4X10X3 AND 8X12X3.5
14134	M40S DIFFERENTIAL OUTDRIVE SET
14137	M40S 4.1X5.3X2MM ROLLER SPACER
14139	M40S SPUR GEAR 72T
14143	M40S SERIES HARDWARE BAG
14990	M40DT F/R SHOCK TOWER SET
15019	M40DT HARDWARE SET
15159	M40B BRUSHLESS VERSION HARDWARE SET
15239	M40DT/M40B INPUT GEAR SHAFT SET (F/R)



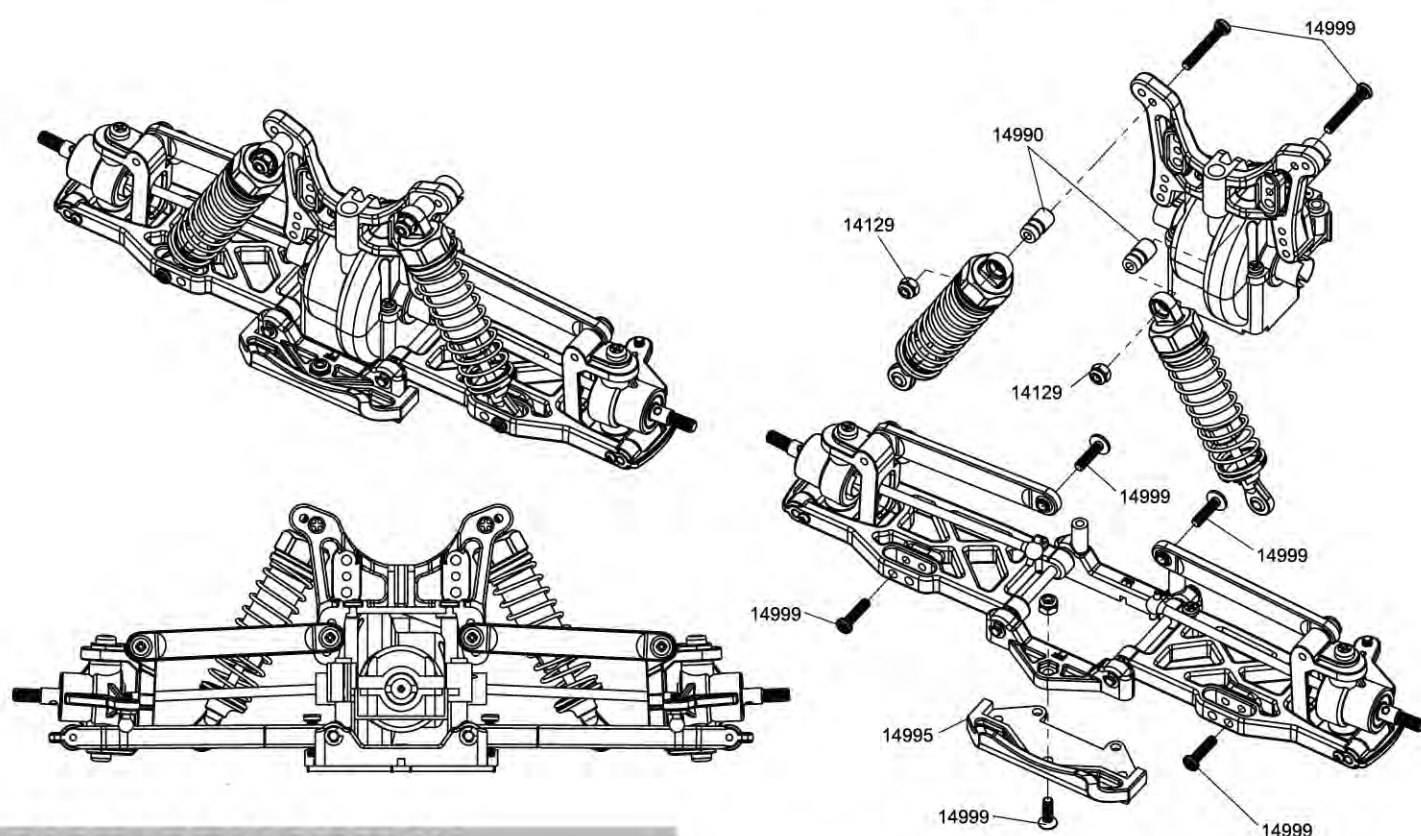
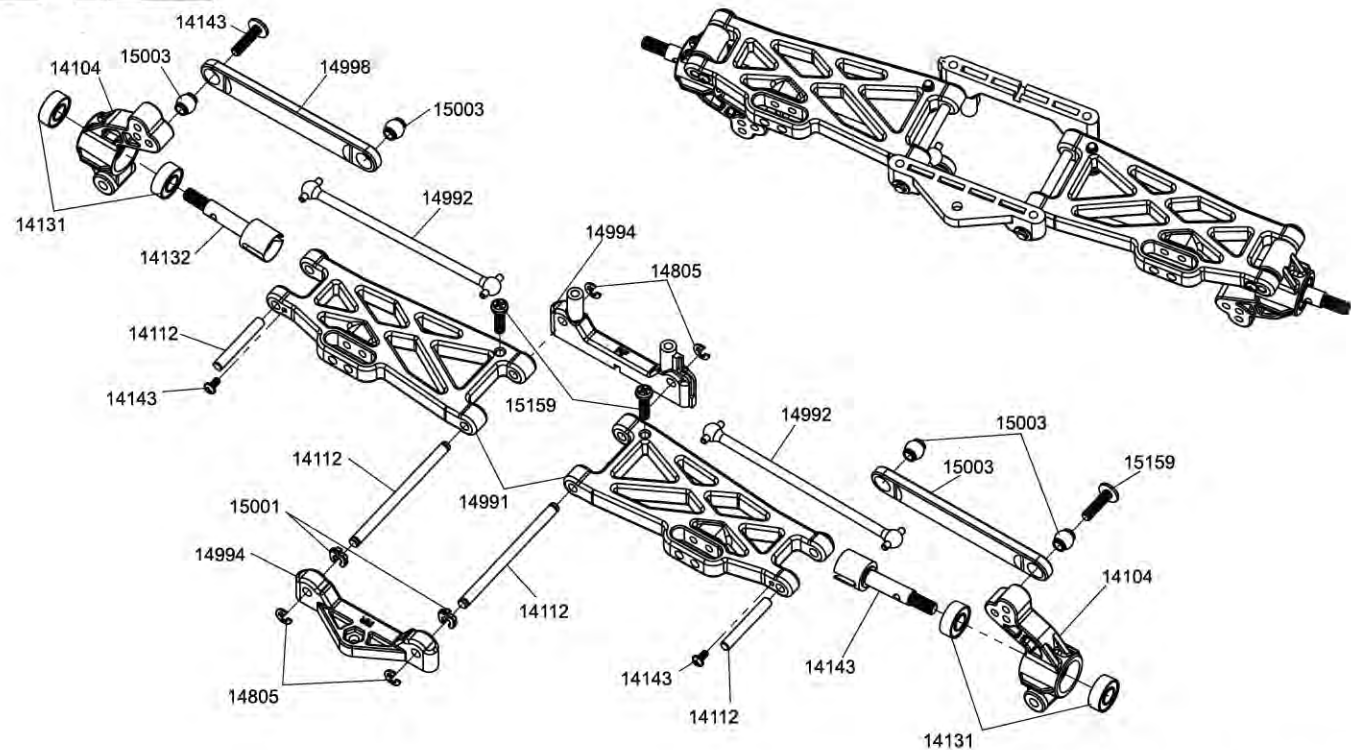
PART DESCRIPTION

14106	M40S UPPER DECK + CHASSIS BRACE + MOTOR	14993	M40B / M40DT SLIPPER PINION SET
14109	M40S BALL CAP	14998	M40B / M40DT PLASTIC LINKAGE SET
14110	M40S BALL END	15110	M10DT WASHER SET
14114	M40S STEERING POST SET	15180	M40DT PINION GEAR 16T
14136	M40S PINION GEAR 20T + M3 SET	15284	GT14B COMPLETE SLIPPER UNIT (UN-ASSEMBLE)
14143	M40S SERIES HARDWARE BAG	15346	GT10RS MERCEDES-AMG C-COUPE DTM 2014
14241	540 MOTOR 19T	15362	GT10RS SLIPPER SET



PART DESCRIPTION

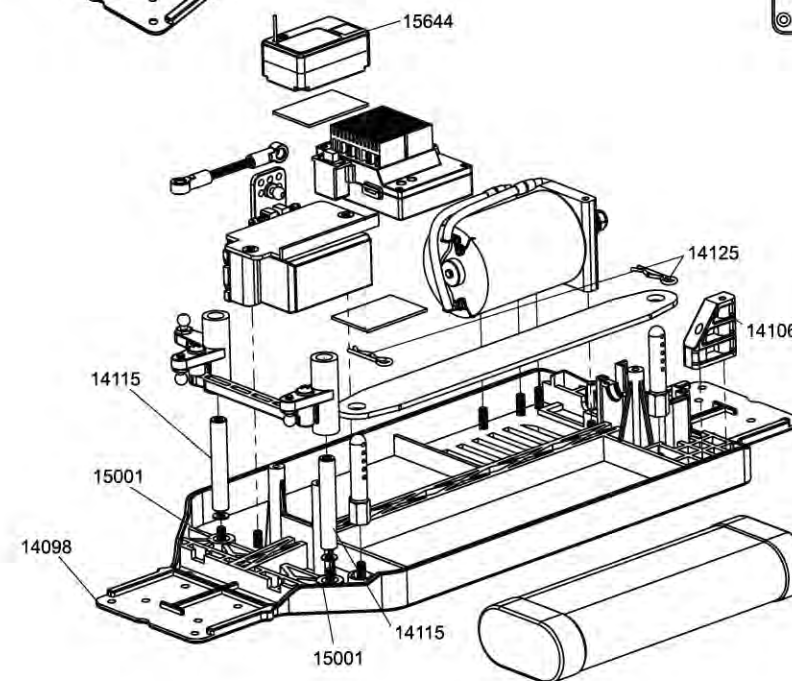
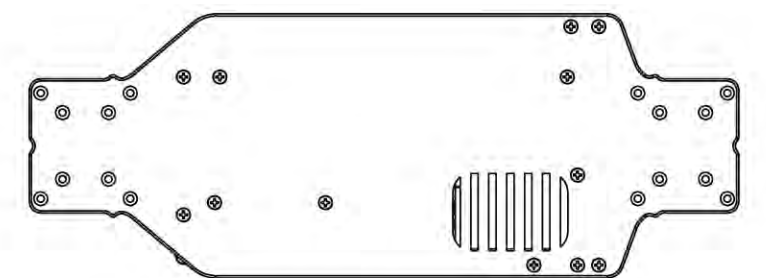
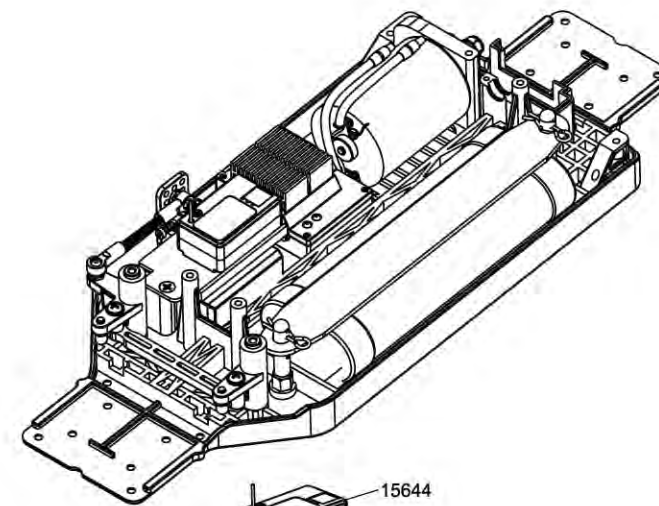
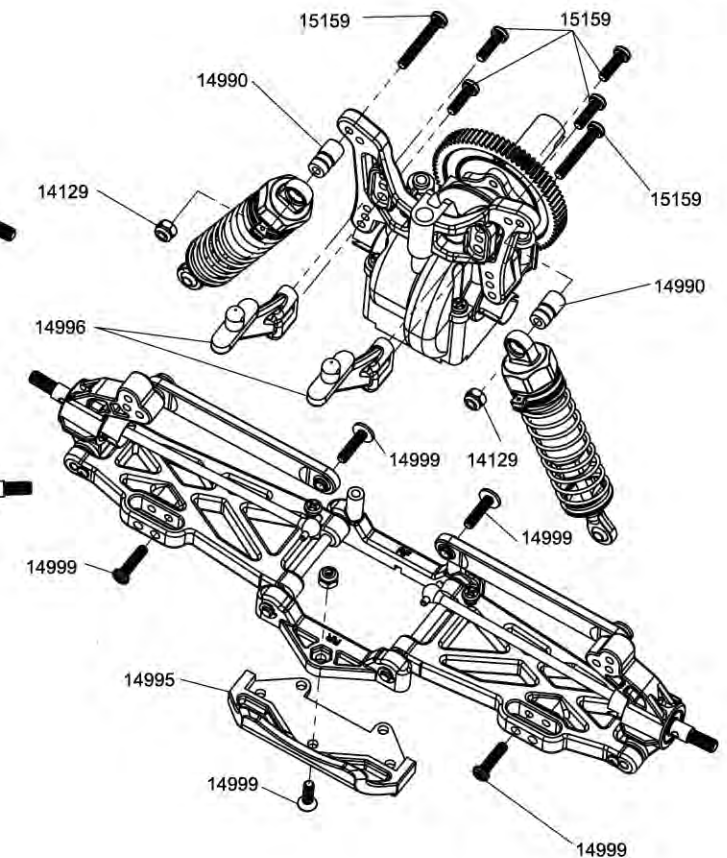
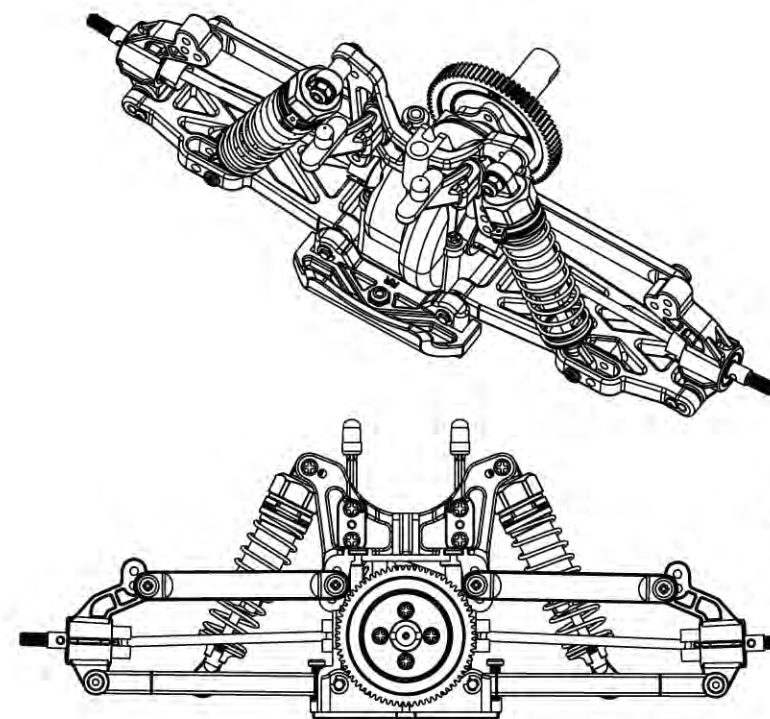
14103	M40S FRONT HUB/STEERING ARM SET	14992	M40B / M40DT DOG BONE (PAIR)
14108	M40S BODY POST SET	14994	M40B HINGE PIN BRACE SET
14110	M40S BALL END	14998	M40B / M40DT PLASTIC LINKAGE SET
14112	M40S SUSPENSION PIN SET	15001	M40B / M40DT WASHER SET
14131	M40S BALL BEARING 5X11X4	15003	M40DT BALL STUD SET
14132	M40S OUTDRIVE	15159	M40B BRUSHLESS VERSION HARDWARE SET
14142	M40S RECEIVER UNIT PLATFORM & SERVO STAND	15228	M48S WASHER SET
14143	M40S SERIES HARDWARE BAG	15278	M40S/M40B/M40DT SERVO SAVER SET 2014
14805	SHOCK SHAFT SET	15346	GT10RS MERCEDES-AMG C-COUPE DTM 2014
14991	M40B / M40DT SUSPENSION ARMS (F&R) SET		



PART DESCRIPTION

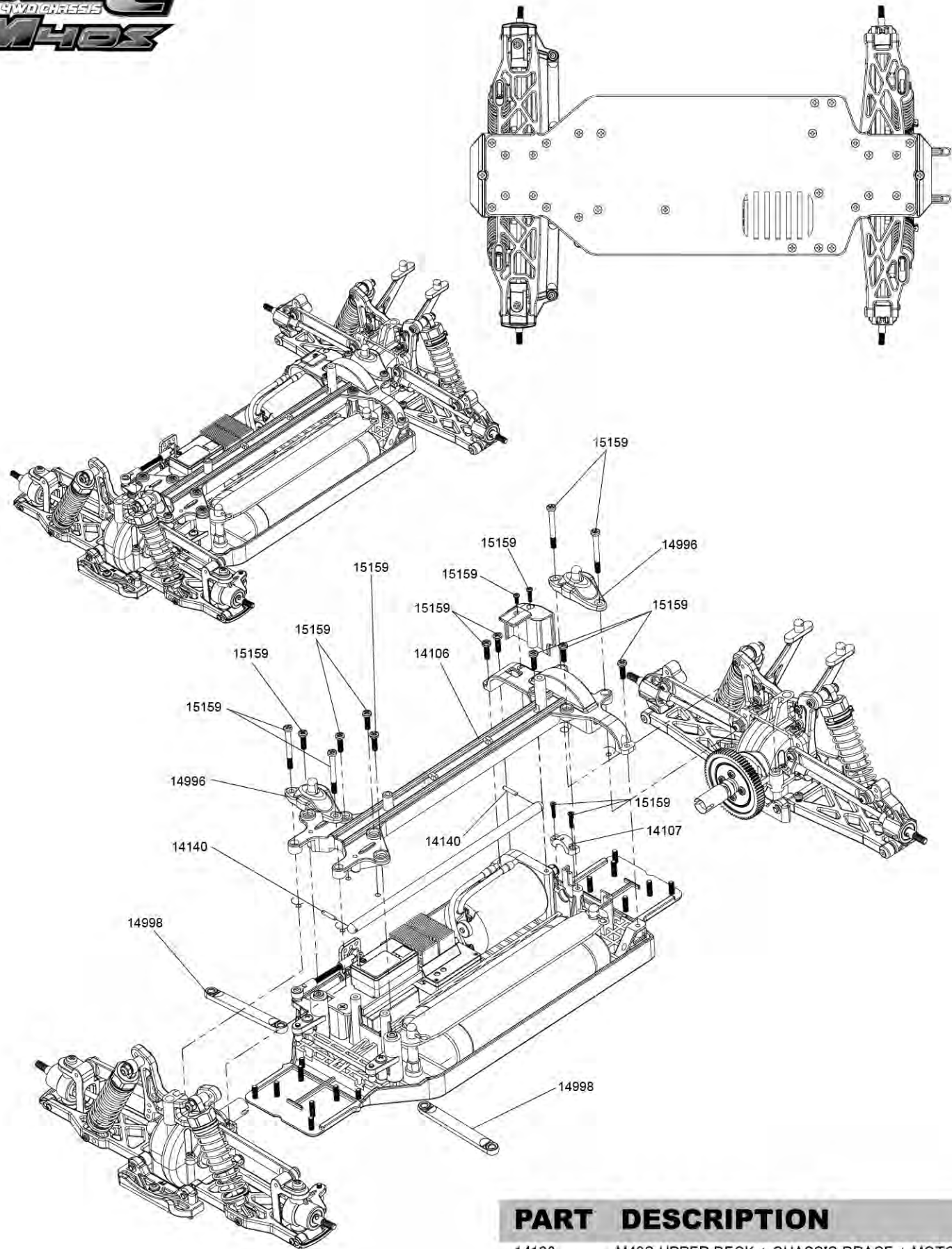
14104	M40S REAR HUB SET
14112	M40S SUSPENSION PIN SET
14129	LOCK NUT SET (4MM AND 3MM)
14131	M40S BALL BEARING 5X11X4
14132	M40S OUTDRIVE
14143	M40S SERIES HARDWARE BAG
14805	SHOCK SHAFT SET
14990	M40DT F/R SHOCK TOWER SET

14991	M40B / M40DT SUSPENSION ARMS (F&R) SET
14992	M40B / M40DT DOG BONE (PAIR)
14994	M40B HINGE PIN BRACE SET
14995	M40B FRONT/REAR BUMPER SET
14998	M40B / M40DT PLASTIC LINKAGE SET
14999	M40B HARDWARE SET
15001	M40B / M40DT WASHER SET
15003	M40DT BALL STUD SET
15159	M40B BRUSHLESS VERSION HARDWARE SET



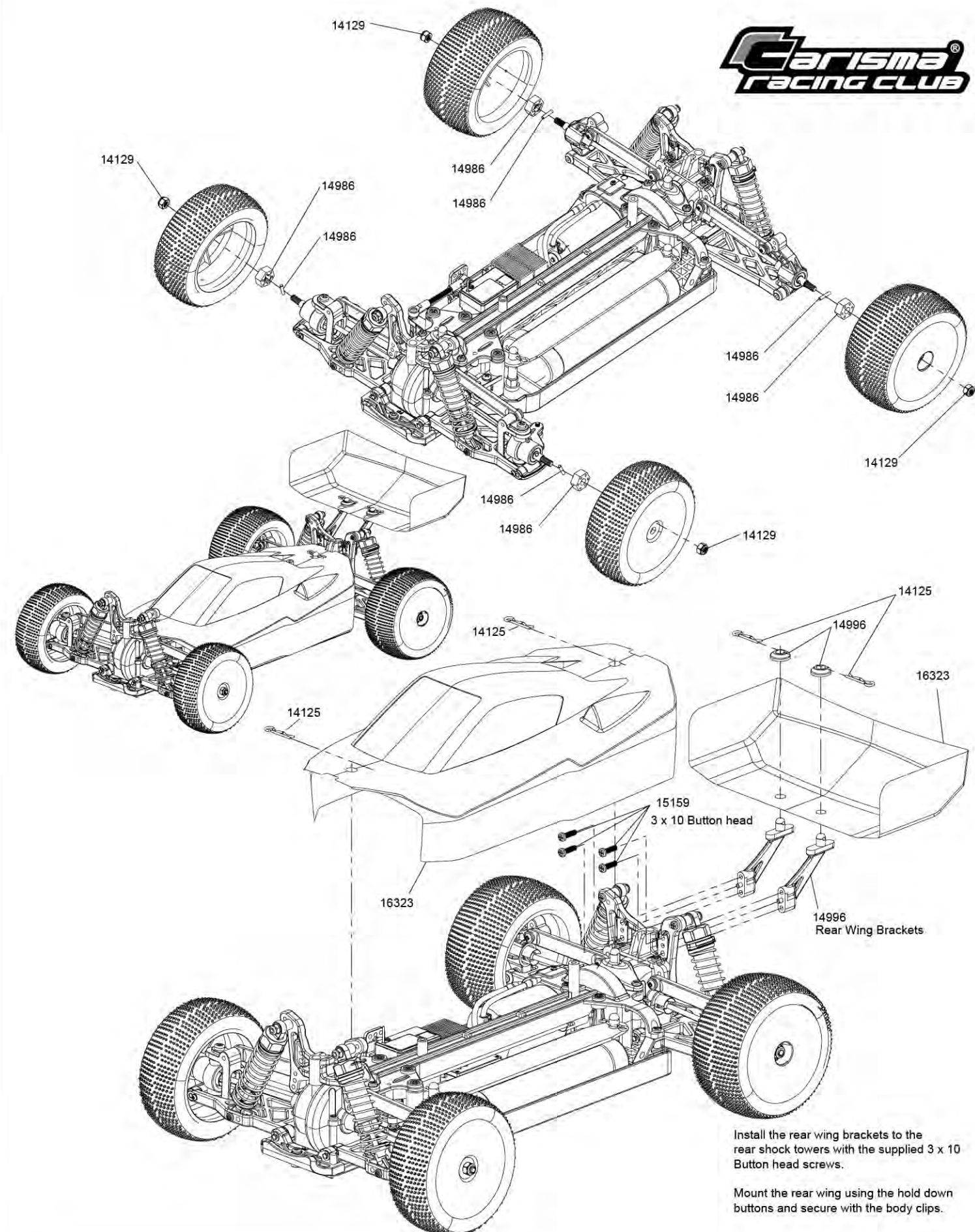
PART DESCRIPTION

14098	M40 SERIES MAIN CHASSIS
14106	M40S UPPER DECK + CHASSIS BRACE + MOTOR
14115	M40S STEERING POST STAND(D6MM)
14125	M40S SNAP PIN
14129	LOCK NUT SET (4MM AND 3MM)
14990	M40DT F/R SHOCK TOWER SET
14995	M40B FRONT/REAR BUMPER SET
14996	M40B REAR WING MOUNT / BODY POST SET
14999	M40B HARDWARE SET
15001	M40B / M40DT WASHER SET
15159	M40B BRUSHLESS VERSION HARDWARE SET
15644	CARISMA CTX8000 2-CHANNEL FHSS 2.4GZ RADIO SYSTEM W/2 x RECEIVER COMBO SET



PART DESCRIPTION

14106	M40S UPPER DECK + CHASSIS BRACE + MOTOR
14107	M40S MAIN SHAFT PARTS SET
14140	M40S MAIN DRIVE/PROP SHAFT
14996	M40B REAR WING MOUNT / BODY POST SET
14998	M40B / M40DT PLASTIC LINKAGE SET
15159	M40B BRUSHLESS VERSION HARDWARE SET



PART DESCRIPTION

14125	M40S SNAP PIN
14129	LOCK NUT SET (4MM AND 3MM)

14986	M40DT WHEEL HEX / DRIVE PIN SET
14996	M40B REAR WING MOUNT / BODY POST SET
16323	M40 BUG-E PAINTED BODY SET

Install the rear wing brackets to the rear shock towers with the supplied 3 x 10 Button head screws.

Mount the rear wing using the hold down buttons and secure with the body clips.

SPARE PARTS

PART	DESCRIPTION
14098	M40 SERIES MAIN CHASSIS
14103	M40S FRONT HUB/STEERING ARM SET
14104	M40S REAR HUB SET
14105	M40S DIFFERENTIAL HOUSING SET
14106	M40S UPPER DECK + CHASSIS BRACE + MOTOR
14107	M40S MAIN SHAFT PARTS SET
14108	M40S BODY POST SET
14109	M40S BALL CAP
14110	M40S BALL END
14112	M40S SUSPENSION PIN SET
14113	M40S DIFFERENTIAL GEAR SET
14114	M40S STEERING POST SET
14115	M40S STEERING POST STAND(D6MM)
14125	M40S SNAP PIN
14129	LOCK NUT SET (4MM AND 3MM)
14130	M40S BALL BEARING 4X10X3 AND 8X12X3.5
14131	M40S BALL BEARING 5X11X4
14132	M40S OUTDRIVE
14134	M40S DIFFERENTIAL OUTDRIVE SET
14136	M40S PINION GEAR 20T + M3 SET
14137	M40S 4.1X5.3X2MM ROLLER SPACER
14139	M40S SPUR GEAR 72T
14140	M40S MAIN DRIVE/PROP SHAFT
14142	M40S RECEIVER UNIT PLATFORM &SERVO STAND
14143	M40S SERIES HARDWARE BAG
14241	540 MOTOR 19T
14805	SHOCK SHAFT SET
14986	M40DT WHEEL HEX/DRIVE PIN SET
14987	M40DT PLASTIC OIL SHOCK SET
14990	M40DT F/R SHOCK TOWER SET
14991	M40B / M40DT SUSPENSION ARMS (F&R) SET
14992	M40B / M40DT DOG BONE (PAIR)
14993	M40B / M40DT SLIPPER PINION SET
14994	M40B HINGE PIN BRACE SET
14995	M40B FRONT/REAR BUMPER SET
14996	M40B REAR WING MOUNT / BODY POST SET
14998	M40B / M40DT PLASTIC LINKAGE SET
14999	M40B HARDWARE SET
15001	M40B / M40DT WASHER SET
15003	M40DT BALL STUD SET
15019	M40DT HARDWARE SET
15110	M10DT WASHER SET
15159	M40B BRUSHLESS VERSION HARDWARE SET
15180	M40DT PINION GEAR 16T
15228	M48S WASHER SET
15239	M40DT/M40B INPUT GEAR SHAFT SET (F/R)
15278	M40S/M40B/M40DT SERVO SAVER SET 2014
15284	GT14B COMPLETE SLIPPER UNIT (UN -ASSEMBLE)
15285	M10DT ALUMINUM ADJUSTABLE OIL-SHOCK SET
15346	GT10RS MERCEDES-AMG C-COUPE DTM 2014
15349	GT10RS FRONT SHOCK ASSEMBLED (PR.)
15360	M40S /M40DT/ GT10RS METAL SPUR GEAR ADAP
15362	GT10RS SLIPPER SET
15644	CARISMA CTX8000 2-CHANNEL FHSS 2.4GZ RADIO SYSTEM W/2 x RECEIVER COMBO SET
16323	M40 BUG-E PAINTED BODY SET
16324	M40 BUG-E WHEEL SET (WHITE)
16325	M40 BUG-E CLEAR BODY SET

OPTION PARTS

PART	DESCRIPTION
15024	ASSEMBLED PRO DIFFERENTIAL SET W/METAL
15181	M40DT PINION GEAR 18T
15351	GT10RS / M40S PINION GEAR 26T
15352	GT10RS / M40S PINION GEAR 24T
15360	M40S /M40DT/ GT10RS METAL SPUR GEAR ADAP
15365	GT10RS PINION GEAR 20T
15366	GT10RS PINION GEAR 22T
15493	4XS Ø4.8 BALL END SET(LONG)
15496	4XS TURNBUCKLE SET
15749	GT10RS ALUMINUM MOTOR MOUNT
15915	M40S ALUMINIUM MAIN SHAFT
16326	M40 BUG-E PRO SHOCKS SET
16327	M40BUG-E CVD (pr)

Setup Notes

Shocks - Spring Rate & Preload:

FPV Add On Channel Used:

Battery Type & MAh Rating:

Motor Wind & Gearing:

Other Setup Options Used: