



Instruction Manual Book

Item code: BH188

Messerschmitt BF 109G

Glow and EP



*ALL Balsa - Ply Wood Construction.
Covered in a Heat-shrink Film with Printed.*

95% ALMOST READY TO FLY

SPECIFICATION:

- Wingspan: 2,255 mm (89 in).
- Length: 1.964 mm (77 in).
- Weight: 9.5kg - 10.5kg (21lbs - 23lbs).
- Wing area: 81.6 dm².
- Wing loading: 128 g/dm².
- Wing type: Naca Airfoil.
- Servo mount: 42mm x 21mm ,
37mm x 16mm elevator.
- Spinner: 150mm.
- Main gear type: Electric retract gear
with oleo struts for main gear(included).
- Tail gear type: Oleo struts for tail gear
(included).

Parts listing required (not included):

- Radio: 07 channels minimum.
- Servo: 8 standard high torque servos +
2 standard high torque servos
(size 35 x 15)mm elevator.
- Engine: 55-65 cc gas.
- Motor: Brushless outrunner 5000 - 6500W, 180KV.
- Propeller: Suit with your engine.

Recommended motor and battery set up (not included):

- Motor: Admiral GP60 8925-180KV Brushless.
- Lipo cell: 12 cells 5500 - 6000mAh.
- Receiver battery: 6.0V-7.4V, 2600-3200mAh (3 Packs).
- ESC: 120A.

TABLE OF CONTENTS

| | | | |
|--|----|--|----|
| ▶ Warranty..... | 3 | ▶ Installing horizontal stabilizer..... | 21 |
| ▶ Disclaimer..... | 3 | ▶ Installing the rudder..... | 25 |
| ▶ Safety precaution..... | 3 | ▶ Installing the tail gear..... | 27 |
| ▶ Important building notes..... | 3 | ▶ Installing the engine mount..... | 30 |
| ▶ Suggestion..... | 3 | ▶ Installing the engine..... | 31 |
| ▶ Flight warnings..... | 4 | ▶ Installing the fuel tank..... | 32 |
| ▶ Covering tools..... | 4 | ▶ Installing the throttle..... | 35 |
| ▶ Adhesives and required tools..... | 4 | ▶ Mounting the cowl..... | 36 |
| ▶ Academy of Model Aeronautics National Model Aircraft Safety Code..... | 4 | ▶ Installing the switch, receiver and battery..... | 39 |
| ▶ Part listing (not included)..... | 6 | ▶ Installing cockpit fuselage..... | 39 |
| ▶ Tools & supplies needed..... | 6 | ▶ Installing the wing to the fuselage..... | 42 |
| ▶ Symbols used throughout this instruction manual, comprise..... | 6 | ▶ Installing the propeller and spinner..... | 43 |
| ▶ Installing the ailerons and flaps..... | 9 | ▶ Installing the electric motor..... | 44 |
| ▶ Installing the ailerons and flap servos..... | 10 | ▶ Balancing..... | 46 |
| ▶ Installing the electric retractable landing gear.. | 14 | ▶ Lateral balance..... | 46 |
| ▶ Installing the gear door..... | 16 | ▶ Control throws..... | 47 |
| ▶ Installing the mounting gear..... | 18 | ▶ Pre-flight check..... | 47 |
| ▶ Installing the wing plastic..... | 19 | ▶ Exploded view..... | 48 |
| ▶ Installing the fuselage servos..... | 20 | ▶ Main gear dimensional detail..... | 50 |
| | | ▶ Tail gear dimensional detail..... | 50 |

INTRODUCTION

Thank you for purchasing Black Horse Model products. With over 19 years experience in production and fly testing, Black Horse Model is committed to bring the best quality products and good service to customers. Along with a team of creative engineers and skilled workers, we will always accompany with customers by our great experiences, fully enthusiasm... which will burn our passion!! Joining with us to explore and conquer challenges in the sky ...

Your satisfaction is our success. Please read through this manual before starting construction.

Academy of Model Aeronautics: If you are not already a member of the AMA, please join! The AMA is the governing body of model aviation and membership provides liability insurance coverage, protects modelers' rights and interests and is required to fly at most R/C sites.

Academy of ModelAeronautics
5151 East Memorial Drive Muncie IN 47302-9252

Tele. (800) 435-9262
Fax. (765) 741-0057

Or via the Internet at: <http://www.modelaircraft.org>



WARRANTY

Black Horse Model guarantees the component parts in this kit to be free from defects in both material and workmanship at the date of purchase by the purchaser.

This warranty does not cover cosmetic damage or damage due to acts of God, accident, misuse, abuse, negligence, commercial use, or modification of or to any part of the Product.

This warranty does not cover damage due to improper installation, operation, maintenance, or attempted repair by anyone other than Black Horse Model.

Further, Black Horse Model reserves the right to change or modify this warranty without notice.

DISCLAIMER

Read this disclaimer carefully before using this product. Please strictly follow the instruction manual to assemble and use this.

In that Black Horse Model has no control over the final assembly or material used for final assembly, Black Horse Model is not responsible for loss of use, or other incidental or consequential damages.

Furthermore, Black Horse Model cannot be held liable for personal injury or property damage caused by the use or misuse of Black Horse Model products. By the act of using the user-assembled products, the user accepts all resulting liability.

SAFETY PRECAUTION

- This is not a toy and pilots must be over the age of 14
- Be sure that no other flyers are using your radio frequency.
- Do not smoke near fuel
- Store fuel in a cool, dry place, away from children and pets.
- Wear safety glasses.
- The glow plug clip must be securely attached to the glow plug.
- Do not flip the propeller with your fingers.
- Keep loose clothing and wires away from the propeller.
- Do not start the engine if people are near. Do not stand in line with the side of the propeller.
- Make engine adjustments from behind the propeller only. Do not reach around the spinning propeller.
- Moisture causes damage to electronics. Avoid water exposure to all equipment not specifically designed and protected for this purpose.

IMPORTANT BUILDING NOTES

- Please trial fit all the parts. Make sure you have the correct parts and that they fit and are aligned properly before gluing! This will assure proper assembly. This kit is hand made from natural materials, every plane is unique and minor adjustments may have to be made. However, you should find the fit superior and assembly simple.
- The painted and plastic parts used in this kit are fuel proof. However, they are not tolerant of many harsh chemicals including the following: paint thinner, C/A glue accelerator, C/A glue debonder and acetone. Do not let these chemicals come in contact with the colors on the covering and the plastic parts.
- Some parts included in this kit such as the cowl or wheel pants are made of fiberglass, the fibers of which may cause eye, skin and respiratory tract irritation. Never blow into a part to remove fiberglass dust, as the dust will blow back into your eyes. Always wear safety goggles, a particle mask and rubber gloves when grinding, drilling and sanding fiberglass parts. Vacuum the parts and the work area thoroughly after working with fiberglass parts.

SUGGESTION

To avoid scratching your new airplane, do not unwrap the pieces until they are needed for assembly. Cover your workbench with an old towel or brown paper, both to protect the aircraft and to protect the table. Keep a couple of jars or bowls handy to hold the small parts after you open the bag.

FLIGHT WARNINGS

- Always operate in open areas, away from factories, hospitals, schools, buildings and houses etc.
- NEVER fly your aircraft close to people or built up areas.
- NEVER fly near power lines, aerials or other dangerous areas including airports, motorways etc.
- NEVER fly in wet conditions or on windy or stormy days.
- ALWAYS adjust the engine from behind the propeller, and do not allow any part of your body to be in line with the propeller.
- THE PROPELLER IS DANGEROUS Keep fingers, clothing (ties, shirt sleeves, scarves) or any other loose objects that could be caught or drawn in, away from the propeller. Take care at ALL times.
- NEVER use damaged or deformed propellers or spinners.
- Keep all onlookers (especially small children and animals) well back from the area of operation. This is a flying aircraft, which will cause serious injury in case of impact with a person or animal.
- DO NOT dispose of empty fuel containers on a fire, this can lead to an explosion.

FLIGHT WARNINGS

- When ready to fly, first extend the transmitter aerial.
- Switch on the transmitter.
- Switch on the receiver.
- Check that the wings are correctly fitted to the fuselage.
- Operate the control sticks on the transmitter and check that the control surfaces move freely and in the CORRECT directions.
- Check that the transmitter batteries have adequate power.
- ALWAYS take off into the wind.
- If the model does not respond correctly to the controls, land it as soon as possible and correct the fault.
- ALWAYS land the model INTO the wind, this ensures that the model lands at the slowest possible speed.
- Switch off the receiver.
- Switch off the transmitter.
- Empty the fuel tank after flying, fuel left in the tank can cause corrosion and lead to engine problems.

COVERING TOOLS

- Top Flite® MonoKote® Sealing Iron
- Top Flite Hot Sock Iron Cover
- Top Flite MonoKote Trim Seal Iron
- Top Flite MonoKote Heat Gun

ADHESIVES AND REQUIRED TOOLS

- Thin CA
- 30-minute epoxy
- 6-minute epoxy
- Threadlocker thread locking cement
- Mixing sticks
- Mixing cups (GPMR8056)
- Epoxy brushes
- Denatured alcohol
- Canopy Glue
- Felt-tipped pen or pencil
- Flat screwdriver
- Adjustable wrench
- Drill
- Hobby knife
- Masking tape
- Phillips screwdriver (large)
- Phillips screwdriver (small)
- Ruler
- Sandpaper
- Soldering iron
- Solder
- Hex wrench
- Drill bit: 1/16-inch (1.5mm), 5/64-inch (2mm), 1/8-inch (3,2mm), 3/16-inch (4,8mm), 11/64-inch (4.5mm), 13/64-inch (5,2mm), 1/4-inch (6,4mm)

Academy of Model Aeronautics National Model Aircraft Safety Code

Effective January 1, 2018

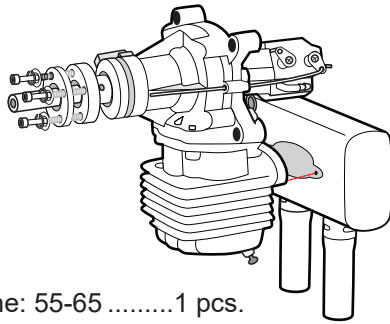
A. GENERAL: A model aircraft is a non-human-carrying device capable of sustained flight within visual line of sight of the pilot or spotter(s). It may not exceed limitations of this code and is intended exclusively for sport, recreation, education and/or competition. All model flights must be conducted in accordance with this safety code and related AMA guidelines, any additional rules specific to the flying site, as well as all applicable laws and regulations.

As an AMA member I agree:

- I will not fly a model aircraft in a careless or reckless manner.
- I will not interfere with and will yield the right of way to all human-carrying aircraft using AMA's See and Avoid Guidance and a spotter when appropriate.
- I will not operate any model aircraft while I am under the influence of alcohol or any drug that could adversely affect my ability to safely control the model.
- I will avoid flying directly over unprotected people, moving vehicles, and occupied structures.
- I will fly Free Flight (FF) and Control Line (CL) models in compliance with AMA's safety programming.
- I will maintain visual contact of an RC model aircraft without enhancement other than corrective lenses prescribed to me. When using an advanced flight system, such as an autopilot, or flying First-Person View (FPV), I will comply with AMA's Advanced Flight System programming.
- I will only fly models weighing more than 55 pounds, including fuel, if certified through AMA's Large Model Airplane Program.
- I will only fly a turbine-powered model aircraft in compliance with AMA's Gas Turbine Program.
- I will not fly a powered model outdoors closer than 25 feet to any individual, except for myself or my helper(s) located at the flightline, unless I am taking off and landing, or as otherwise provided in AMA's Competition Regulation.
- I will use an established safety line to separate all model aircraft operations from spectators and bystanders.

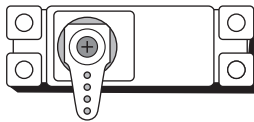
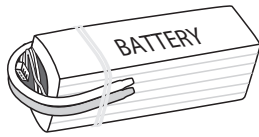
- Officially designated AMA Air Show Teams (AST) are authorized to use devices and practices as defined within the Team AMA Program Document. (AMA Document #718.)
- (j) Not operate a turbine-powered aircraft, unless in compliance with the AMA turbine regulations. (AMA Document #510-A.)
- 3. Model aircraft will not be flown in AMA sanctioned events, air shows or model demonstrations unless:
 - (a) The aircraft, control system and pilot skills have successfully demonstrated all maneuvers intended or anticipated prior to the specific event.
 - (b) An inexperienced pilot is assisted by an experienced pilot.
- 4. When and where required by rule, helmets must be properly worn and fastened. They must be OSHA, DOT, ANSI, SNELL or NOCSAE approved or comply with comparable standards.
- B. RADIO CONTROL (RC)
 - 1. All pilots shall avoid flying directly over unprotected people, vessels, vehicles or structures and shall avoid endangerment of life and property of others.
 - 2. A successful radio equipment ground-range check in accordance with manufacturer's recommendations will be completed before the first flight of a new or repaired model aircraft.
 - 3. At all flying sites a safety line(s) must be established in front of which all flying takes place. (AMA Document #706.)
 - (a) Only personnel associated with flying the model aircraft are allowed at or in front of the safety line.
 - (b) At air shows or demonstrations, a straight safety line must be established.
 - (c) An area away from the safety line must be maintained for spectators.
 - (d) Intentional flying behind the safety line is prohibited.
 - 4. RC model aircraft must use the radio-control frequencies currently allowed by the Federal Communications Commission (FCC). Only individuals properly licensed by the FCC are authorized to operate equipment on Amateur Band frequencies.
 - 5. RC model aircraft will not knowingly operate within three (3) miles of any pre-existing flying site without a frequency-management agreement. (AMA Documents #922 and #923.)
 - 6. With the exception of events flown under official AMA Competition Regulations, excluding takeoff and landing, no powered model may be flown outdoors closer than 25 feet to any individual, except for the pilot and the pilot's helper(s) located at the flightline.
 - 7. Under no circumstances may a pilot or other person touch an outdoor model aircraft in flight while it is still under power, except to divert it from striking an individual.
 - 8. RC night flying requires a lighting system providing the pilot with a clear view of the model's attitude and orientation at all times. Hand-held illumination systems are inadequate for night flying operations.
 - 9. The pilot of an RC model aircraft shall:
 - (a) Maintain control during the entire flight, maintaining visual contact without enhancement other than by corrective lenses prescribed for the pilot.
 - (b) Fly using the assistance of a camera or First-Person View (FPV) only in accordance with the procedures outlined in AMA Document #550.
 - (c) Fly using the assistance of autopilot or stabilization system only in accordance with the procedures outlined in AMA Document #560.
- C. FREE FLIGHT
 - 1. Must be at least 100 feet downwind of spectators and automobile parking when the model aircraft is launched.
 - 2. Launch area must be clear of all individuals except mechanics, officials, and other fliers.
 - 3. An effective device will be used to extinguish any fuse on the model aircraft after the fuse has completed its function.
- D. CONTROL LINE
 - 1. The complete control system (including the safety thong where applicable) must have an inspection and pull test prior to flying.
 - 2. The pull test will be in accordance with the current Competition Regulations for the applicable model aircraft category.
 - 3. Model aircraft not fitting a specific category shall use those pull-test requirements as indicated for Control Line Precision Aerobatics.
 - 4. The flying area must be clear of all utility wires or poles and a model aircraft will not be flown closer than 50 feet to any above-ground electric utility lines.
 - 5. The flying area must be clear of all nonessential participants and spectators before the engine is started.

PARTS LISTING (NOT INCLUDED).



Engine: 55-651 pcs.

LiPo. 6S - 22.2V 3000-5000mAh 2 Packs



8 servos. Size: (39.9 x 20.12 x 37.1)mm
Torque: 6V (11.3kg/cm), 7.4V (12.9 kg/cm).
2 servos. Size: (35 x 15 x 29.2)mm
Torque: 7.4V (8kg/cm).

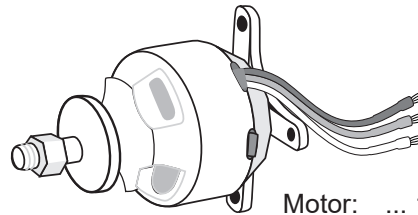
Servo extension leads.

- 2 pcs.
- 4 pcs.
- 4 pcs.
- 2 pcs.

Propeller: Suit with your engine.



Brushless outrunner 5000 - 6500W, 180KV.



Motor: ... 1 pcs.



ESC: 120A 1 pcs.

TOOLS & SUPPLIES NEEDED.

- CA
Medium C/A glue
- Threadlocker
(screw cement).
- Modeling knife.

- Straight edge ruler.
- 2 bender plier
- Wire cutters.
- Pencil

- EPOXY A
- EPOXY B
- 30 minute epoxy.
5 minute epoxy.
- Screw driver
- Hand with pencil

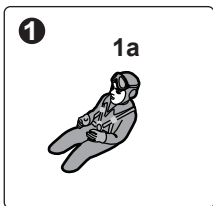
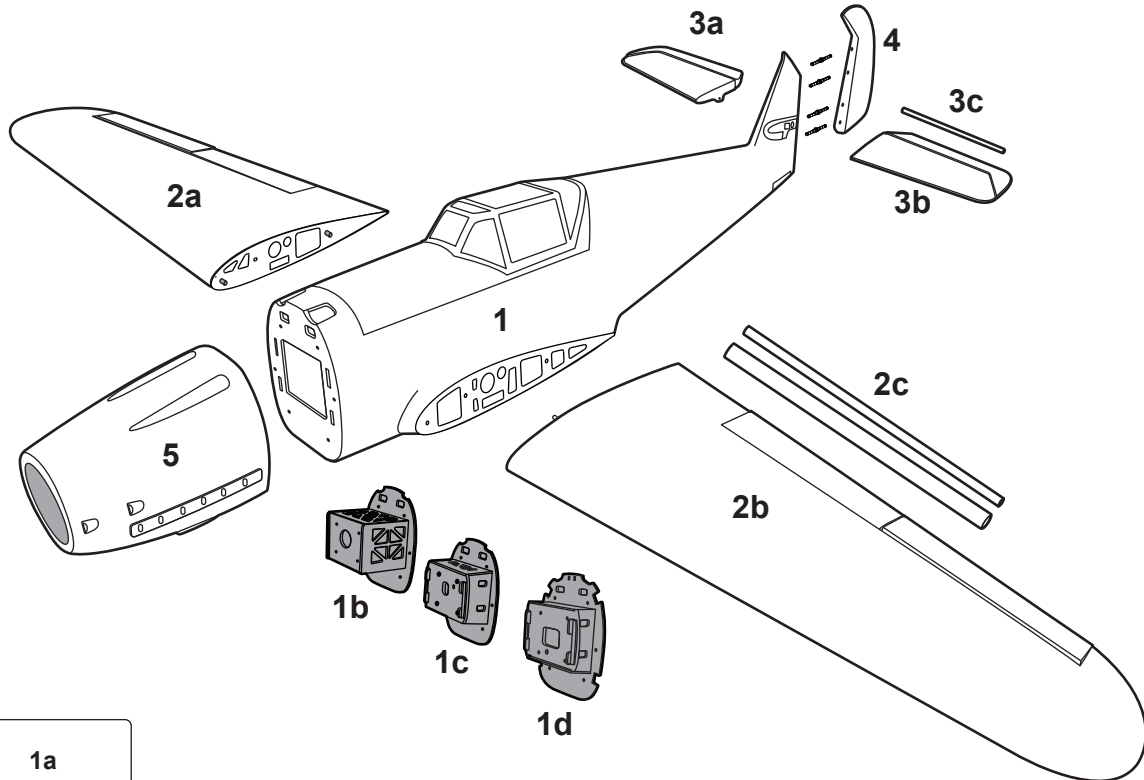
- Hex Wrench.
- Hand or electric drill.

- Some more tools.
- Assorted drill bits.
 - Masking tape.
 - Paper towels.
 - Rubbing alcohol
 - 90° square or builder's triangle.

Symbols used throughout this instruction manual, comprise:

- Cut off excess.
- Cut off shaded portion carefully.
- Pay close attention here.
- Take particular care here.
- Warning!** Set all screws securely . If they come off during flight you will lose control of your aircraft!
- Apply threadlocker (screw cement).
- Apply instant glue (C.A glue, super glue).
- Apply epoxy glue.
- Assemble left and right sides the same way
- Must be purchased separately!
- Ensure smooth, non-binding movement when assembling.
- Drill holes using the stated (in this case 1.5mm ø).
- The number of times the same way Assembly (in this case twice).
- Use a pencil to mark

- 1:** Fuselage (1a: Pilot, 1b: Motor mount, 1c, 1d: Engin mount).
- 2:** Wing (2a(right wing); 2b(left wing); 2c: Aluminium wing tube).
- 3:** Horizontal stabilizer (3a; 3b; 3c: Aluminium tube).
- 4:** Rudder.
- 5:** Cowling.
- 6:** Wing spare part.
- 7:** Horizontal stabilizer spare part.
- 8:** Rudder spare part.
- 9:** Cowling spare part.
- 10:** Tail gear spare part.
- 11:** Main gear spare part (11a: Controller Box).
- 12:** Engine spare part.
- 13:** Fuel tank.
- 14:** Motor spare part.
- 15:** Spinner spare part.
- 16:** CG spare part.
- 17:** Plastic fuselage spare part.

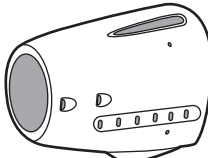



| | | | | | |
|----------|----------------------------|----------------------------|---------------------------------------|---|------------------|
| 6 | 44mm Pinned hinge --- 6 | Horn --- 4 | 3x12mm Button Head Cap Screw --- 8 | 6X50 Aluminium --- 4 | Coolant radiator |
| | 67mm Pinned hinge --- 6 | 2.6x80mm Push rod --- 2 | 3mm Flat Washer --- 4 | ø32x610mm Aluminium wing tube. --- 1 | (R) |
| | Horn --- 4 | 2.6x55mm Push rod --- 2 | 3mm Lock Nut --- 8 | ø19x888mm Aluminium wing tube. --- 1 | (L) |
| | --- 2 | Ball link --- 8 | 2x10mm Tp Screw --- 16 | Plastic --- 4 | |


| | | | | |
|----------|-----------------------|---------------------------------------|---------------------------------------|------------------------------------|
| 7 | Pinned Hinge --- 6 | 2.6x55mm Push rod --- 2 | 3mm Flat Washer --- 2 | 4mm Aluminium Washer --- 2 |
| | Horn --- 4 | Ball link --- 4 | 3mm Lock Nut --- 4 | ø12x295mm Aluminium tube. --- 1 |
| | --- 2 | 3x12mm Button Head Cap Screw --- 4 | 4X15mm Button Head Cap Screw --- 2 | |

| | | | | |
|----------|---------------|------------------------------|---------------------------------------|-----------------------|
| 8 | Horn --- 2 | 2.6x1068mm Push rod --- 1 | 3x12mm Button Head Cap Screw --- 2 | 3mm Lock Nut --- 2 |
| | --- 1 | Ball link --- 2 | 3mm Flat Washer --- 2 | |

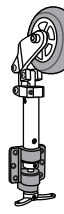
9





Plastic  --- 4


3x12mm Tp Screw  --- 8


10





1200mm Cable rod  --- 2


Lock Tube  --- 4


M3 Metal Clevis  --- 2


3mm Spring Washer  --- 4

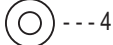
3mm Flat Washer  --- 4


3mm Hex Nut  --- 2

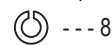
3x30mm Cablink  --- 2


3x15mm Button Head Cap Screw  --- 4

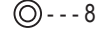
6x50mm Socket Head Cap Screw  --- 2


6X16mm Flat washer  --- 4


4x20mm Button Head Cap Screw  --- 8

4mm Spring Washer  --- 8

3x8mm Button Head Cap Screw  --- 8

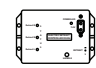
3mm Flat Washer  --- 8

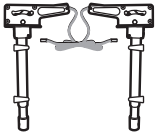
2x10mm Tp Screw  --- 8


3x4mm Set Screw  --- 4

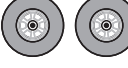
11


11a


Controller Box  --- 1

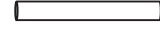


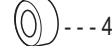
Gear door (R) (L) 


115mm Wheel 


Mounting gear (R) (L) 


5x100mm Socket Head Cap Screw  --- 4

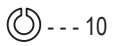
12x65mm Aluminum  --- 4

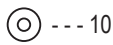
5x18mm Plastic Washer  --- 4


Connector (use in page 35)  --- 1


500mm Pushrod wire  --- 1

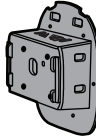
5x20mm Socket Head Cap Screw  --- 6


5mm Spring Washer  --- 10

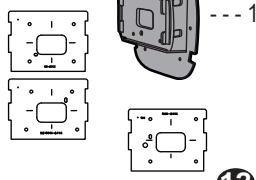
5x12mm Flat washer  --- 10

5x16mm Flat washer  --- 10

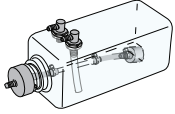
5mm Lock Nut  --- 10


Plywood engin Mount  --- 1


5x40mm Socket Head Cap Screw  --- 4


Plywood engin Mount  --- 1

12

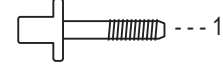
Fuel Tank 700cc  --- 1

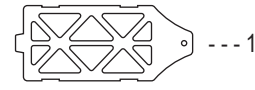
Magnetic Anodized Fuel Dot  --- 1


Alu. Anodized Fuel Vent Line Plug  --- 1

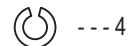
2x5mm Tp Screw  --- 9

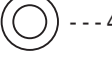
13


6x25mm Plastic Screw  --- 1

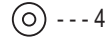
Battery Tray  --- 1

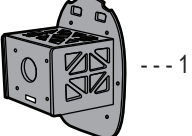
5x25mm Socket Head Cap Screw  --- 4

5mm Spring Washer  --- 4

5x16mm Flat Washer  --- 4


5mm Lock Nut  --- 4


5x12mm Flat washer  --- 4


Motor Mount  --- 1

14

15



Spinner 150mm  --- 1

3x8 mm Button Head Cap Screw  --- 6



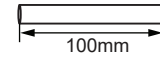

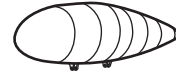
6 x 25mm Plastic Screw  --- 2


Plate of plywood  --- 2


Aluminium Ø12mm  --- 1

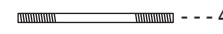
2000mm Wire  --- 1

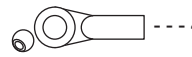
16


Drop tank plastic  --- 1

Drop tank tray plastic  --- 1

3x12mm Button Head Cap Screw  --- 4

2.6x45mm Push rod  --- 4

Ball link  --- 4

Air scoop plastic  --- 1

17

INSTALLING THE AILERONS AND FLAPS.

44mm Pinned hinge



--- 6

Horn

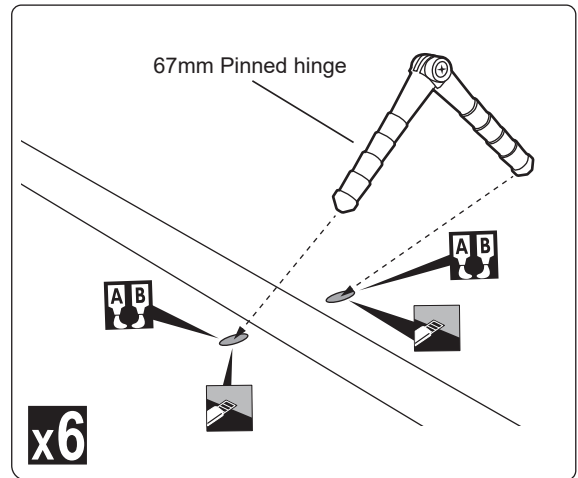
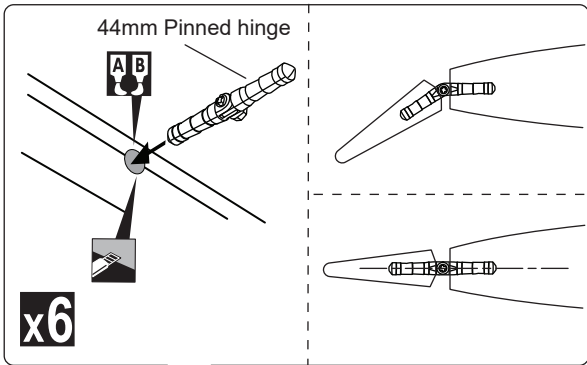


--- 4

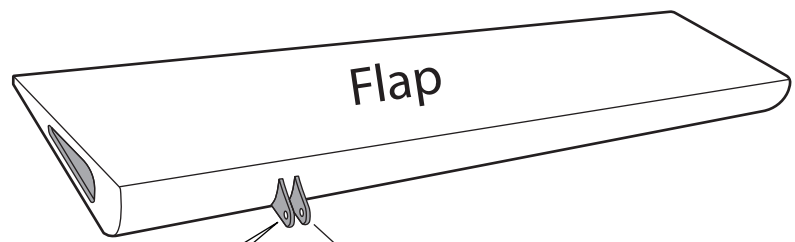
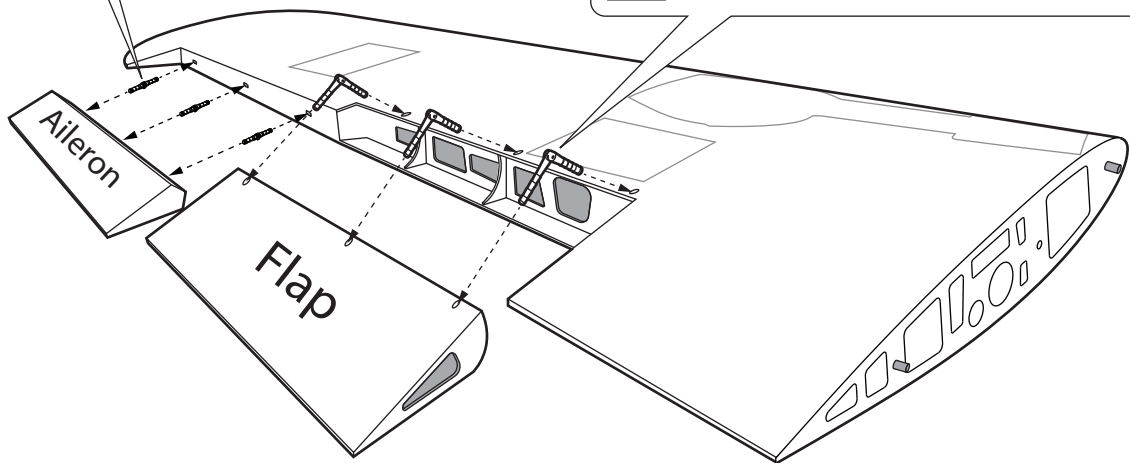
67mm Pinned hinge



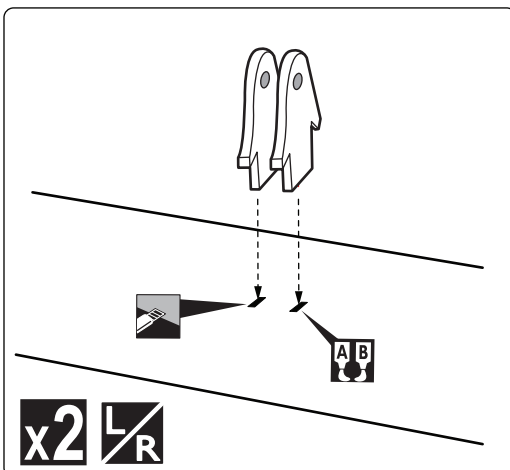
--- 6



Bottom View



Horn



x6 The number of times the same way Assembly (in this case six times).

x2 The number of times the same way Assembly (in this case two times).



Apply epoxy glue.

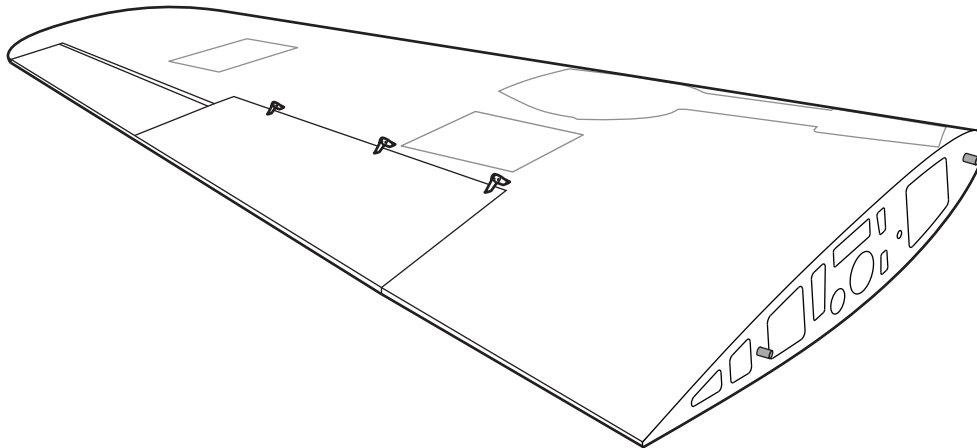


Cut off shaded portion carefully.

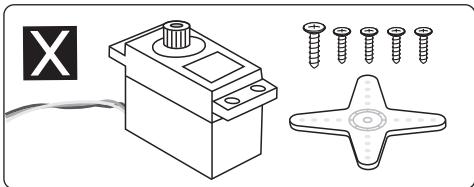


Assemble left and right sides the same way.

Bottom View

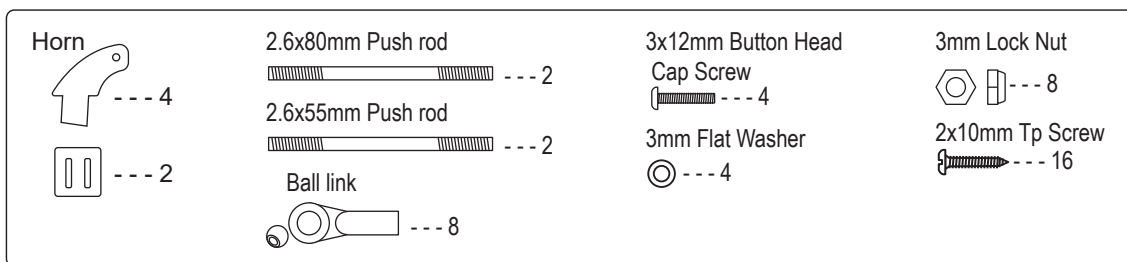


INSTALLING THE AILERONS AND FLAPS SERVOS.

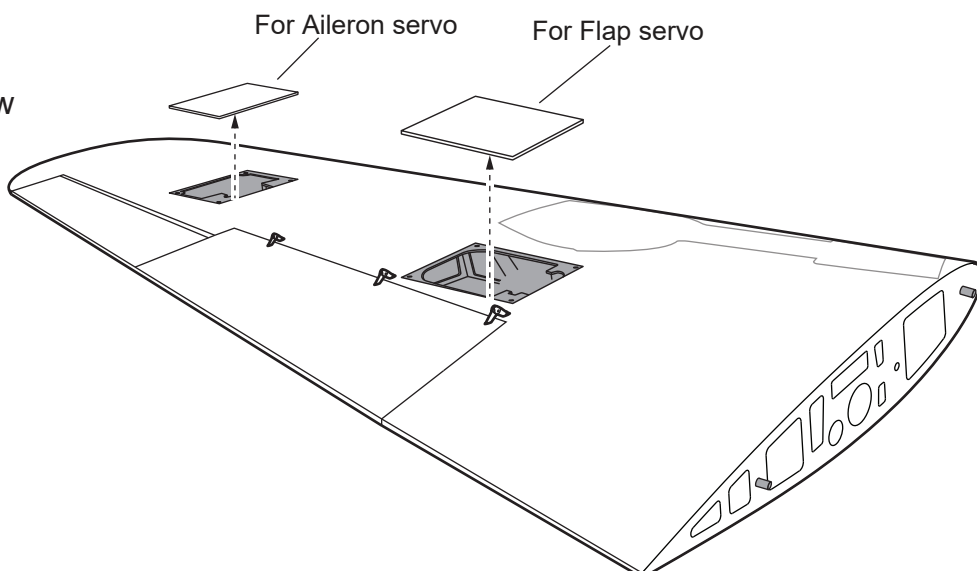


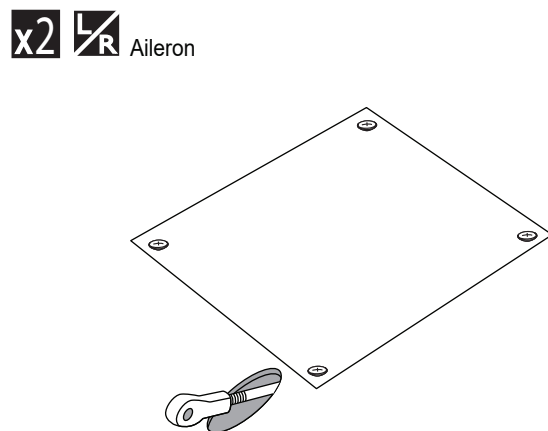
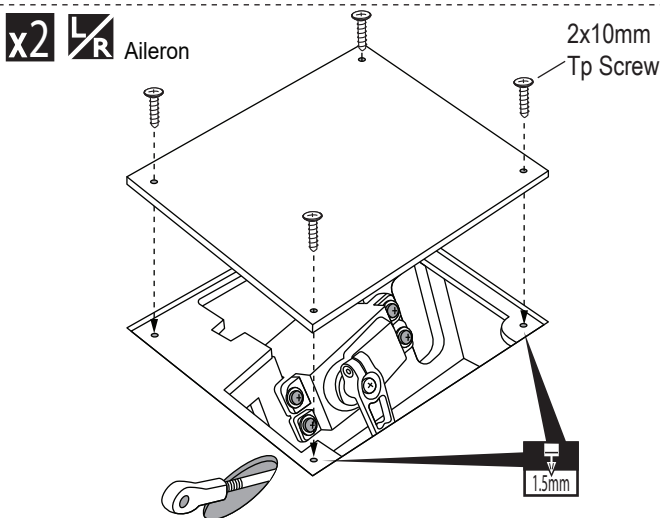
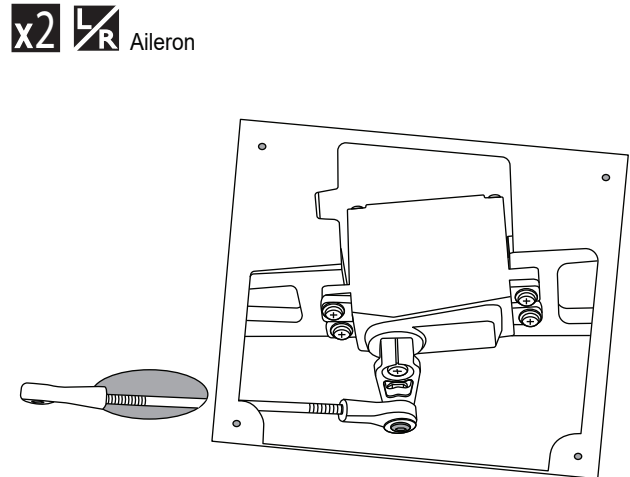
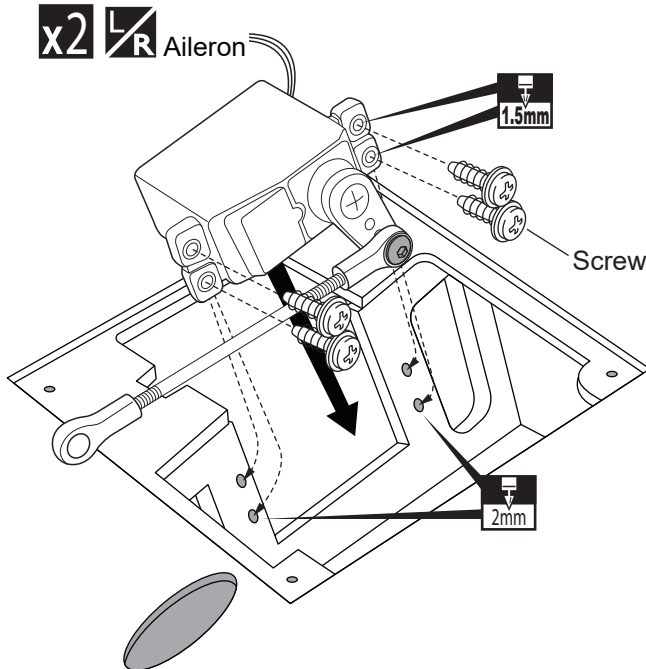
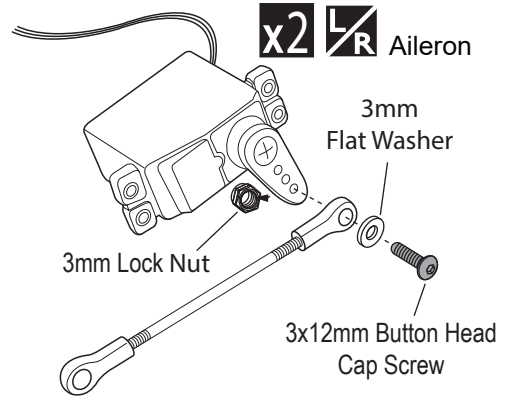
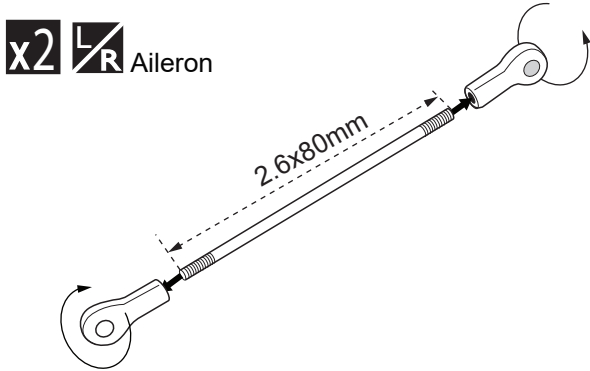
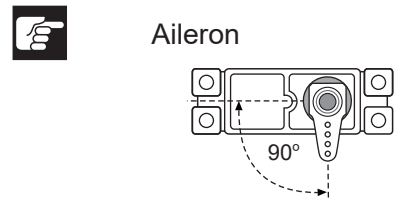
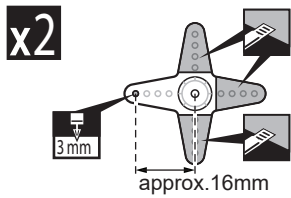
1. Install the rubber grommets and brass eyelets onto the aileron servos.
2. Using a modeling knife, remove the covering from over the pre-cut servo arm exit hole on the aileron servo tray / hatch. This hole will allow the servo arm to pass through when installing the aileron pushrods.

3. Place the servo into the servo tray. Center the servo within the tray and drill 1.5mm pilot holes through the block of wood for each of the four mounting screws provided with the servo.
4. Using the thread as a guide and using masking tape, tape the servo lead to the end of the thread: carefully pull the thread out. When you have pulled the servo lead out, remove the masking tape and the servo lead from the thread.
5. Place the servo into the servo tray/ hatch into the servo box on the bottom of the wing and drill 1.5mm pilot holes through the tray and servo box for each of the four mounting screws. Secure the servo tray in place using the mounting screws provided.
6. Repeat step # 2 - # 5 to install the second aileron servo in the opposite wing half.



Bottom View





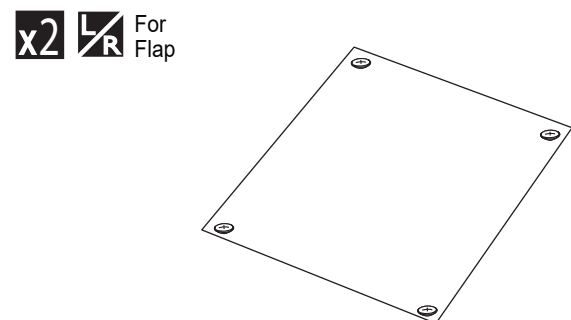
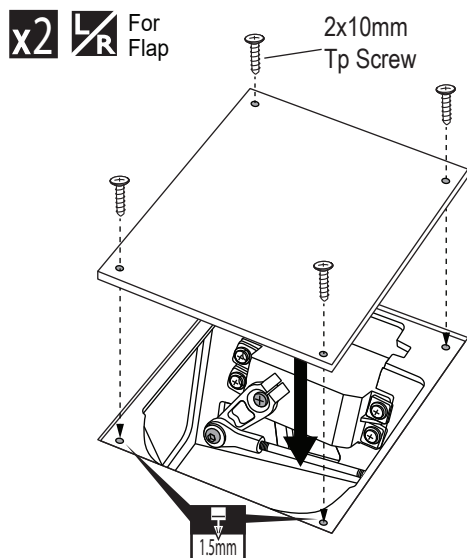
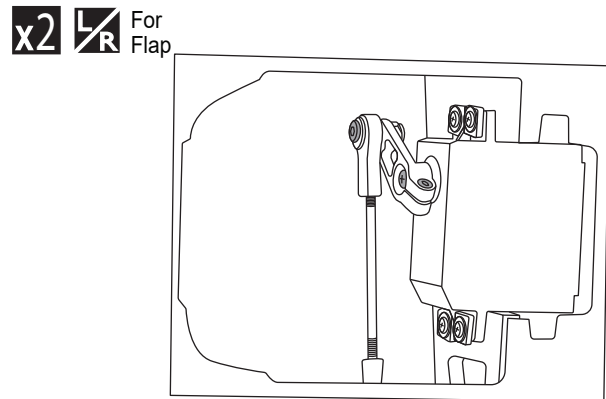
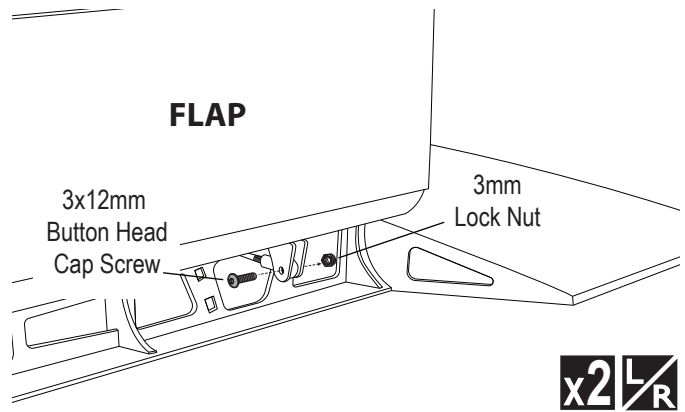
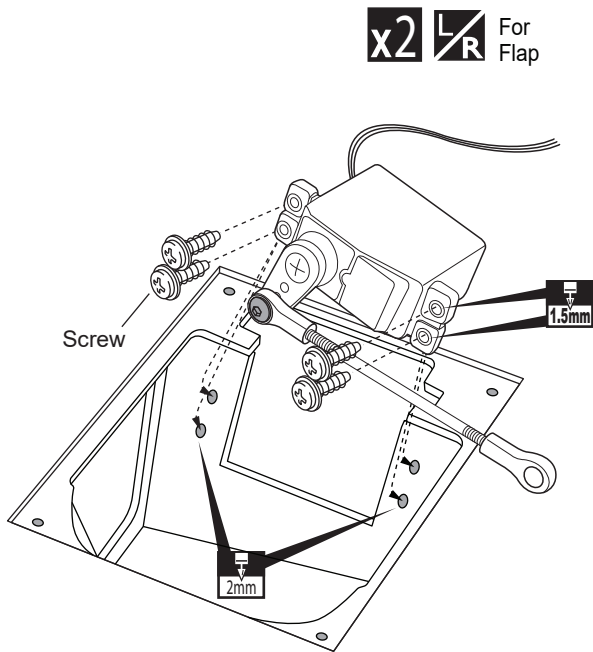
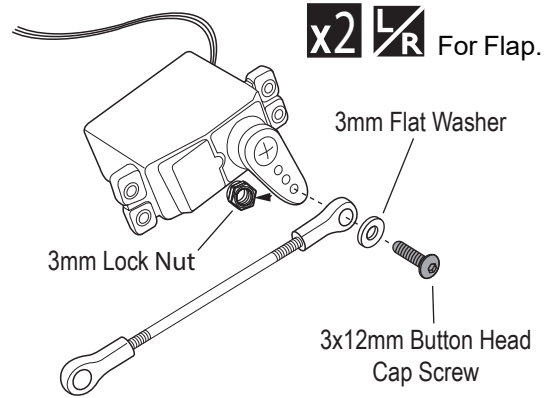
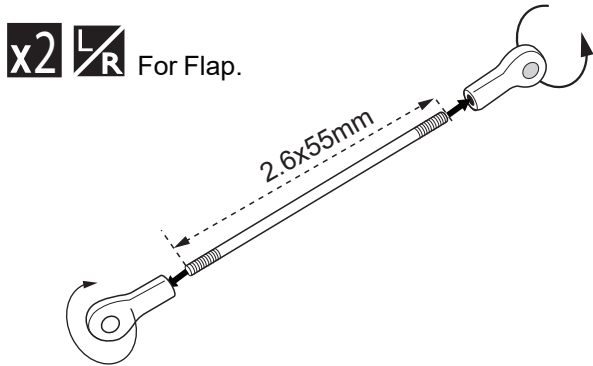
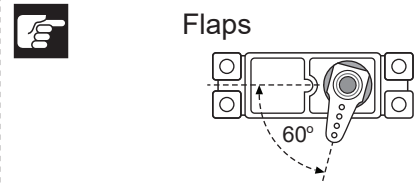
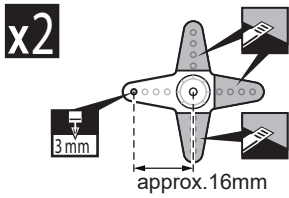
Hand icon Cut off shaded portion carefully.

Drill icon Drill holes using the stated. (in this case 1.5mm Ø).

Hand icon Pay close attention here.

x2 The number of times the same way Assembly (in this case twice).

L/R Assemble left and right sides the same way.



Cut off shaded portion carefully.

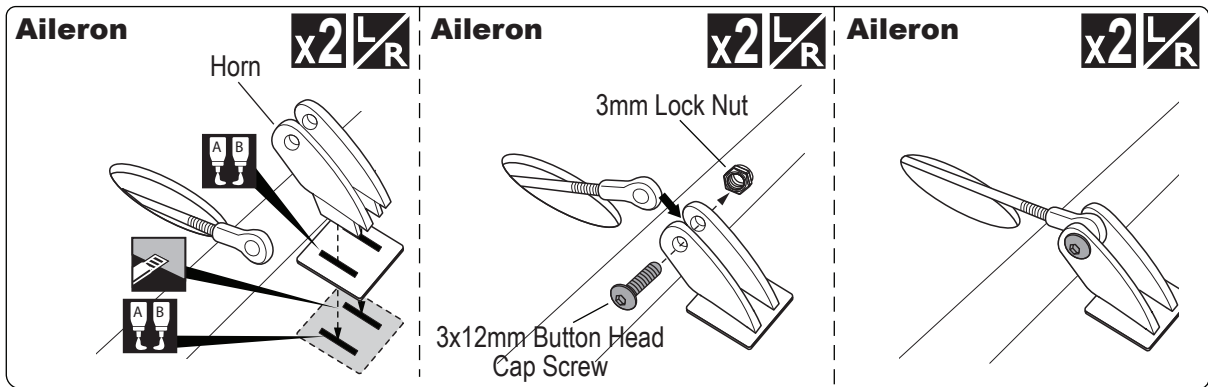
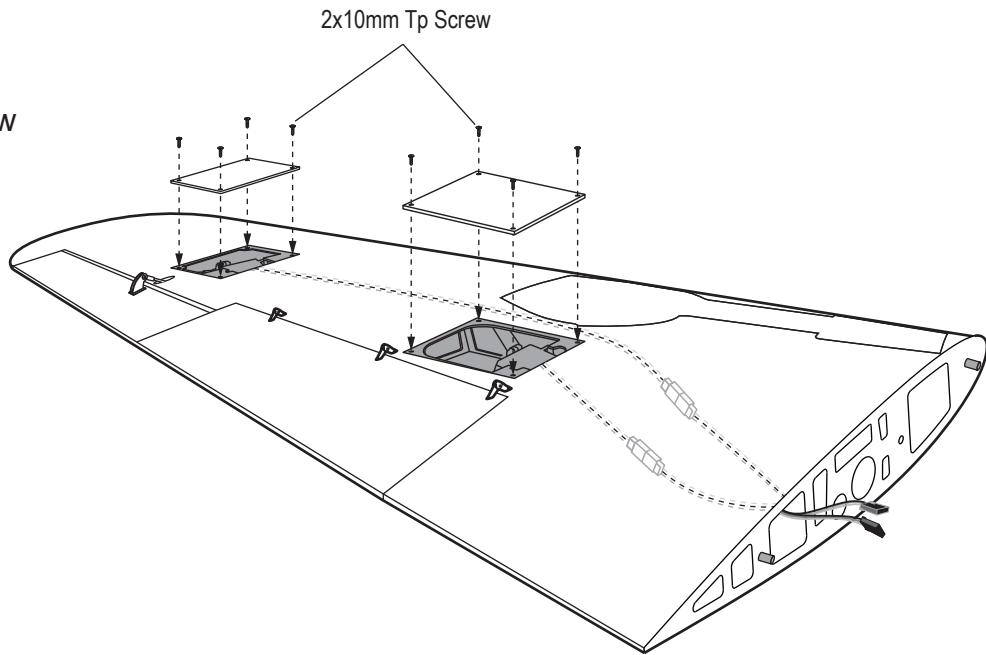
Drill holes using the stated. (in this case 1.5mm Ø).

Pay close attention here.

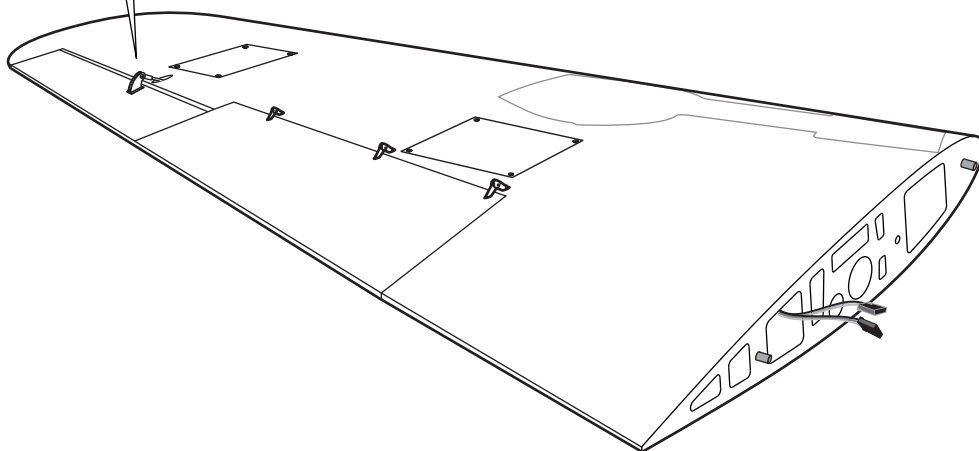
x2 The number of times the same way Assembly (in this case twice).

L/R Assemble left and right sides the same way.

Bottom View



Bottom View





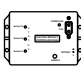
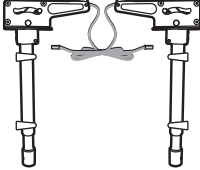
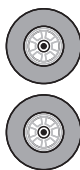


x2 The number of times the same way Assembly (in this case twice).

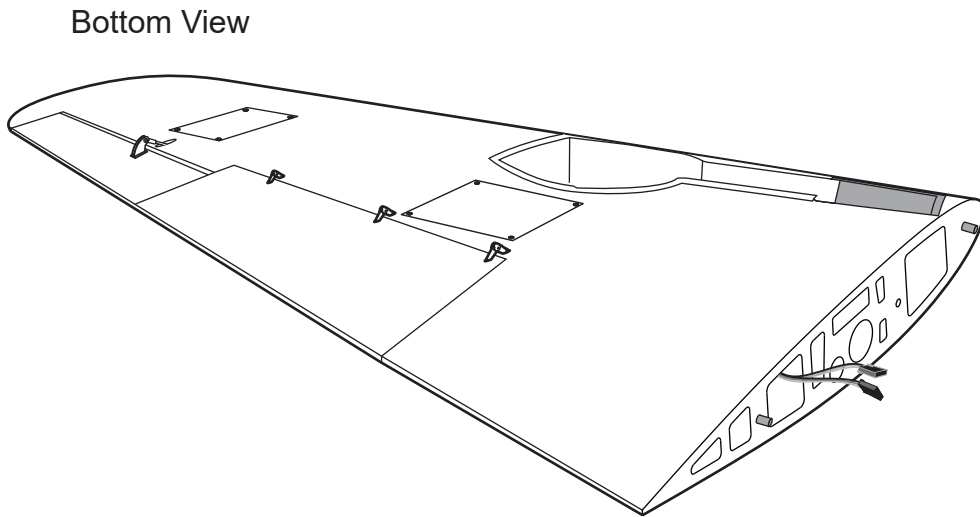
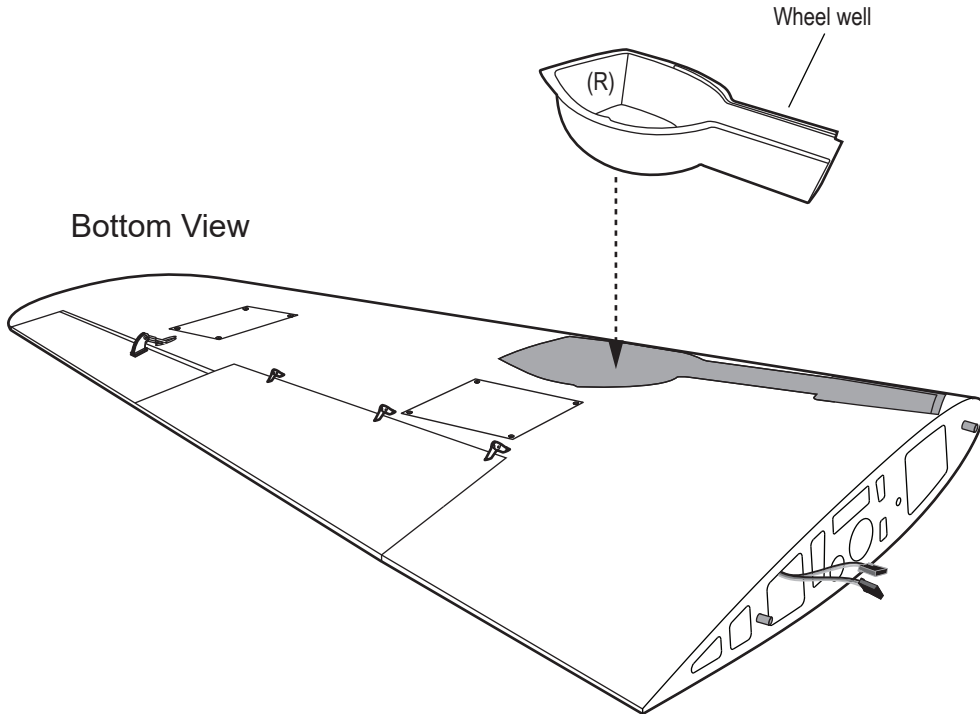
Cut off shaded portion carefully.

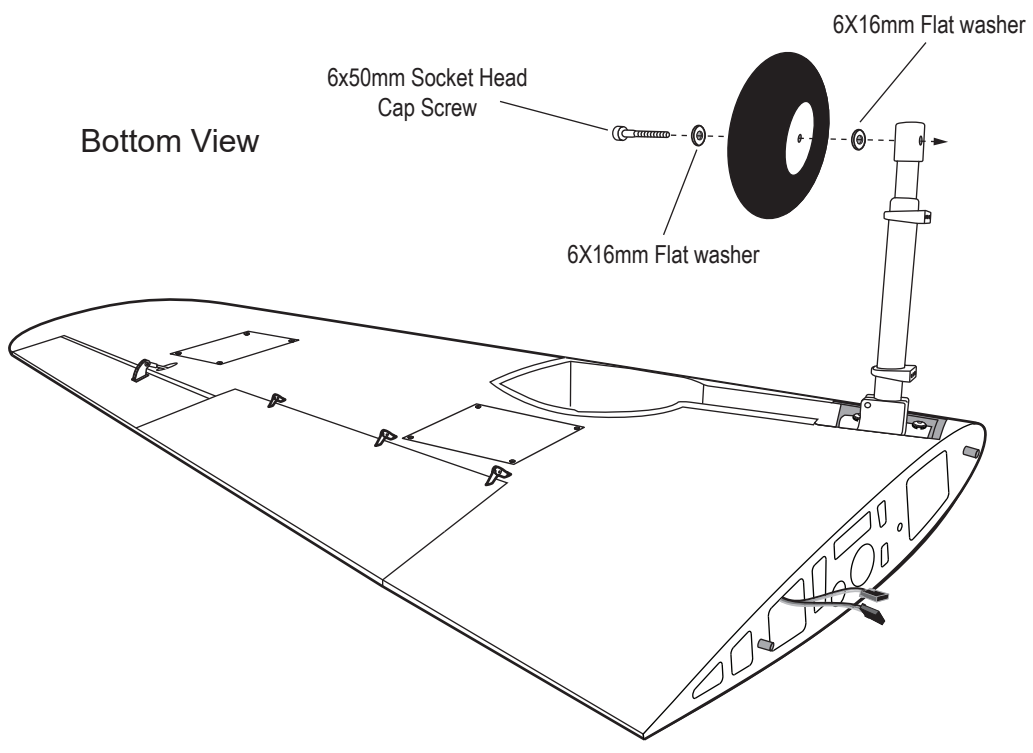
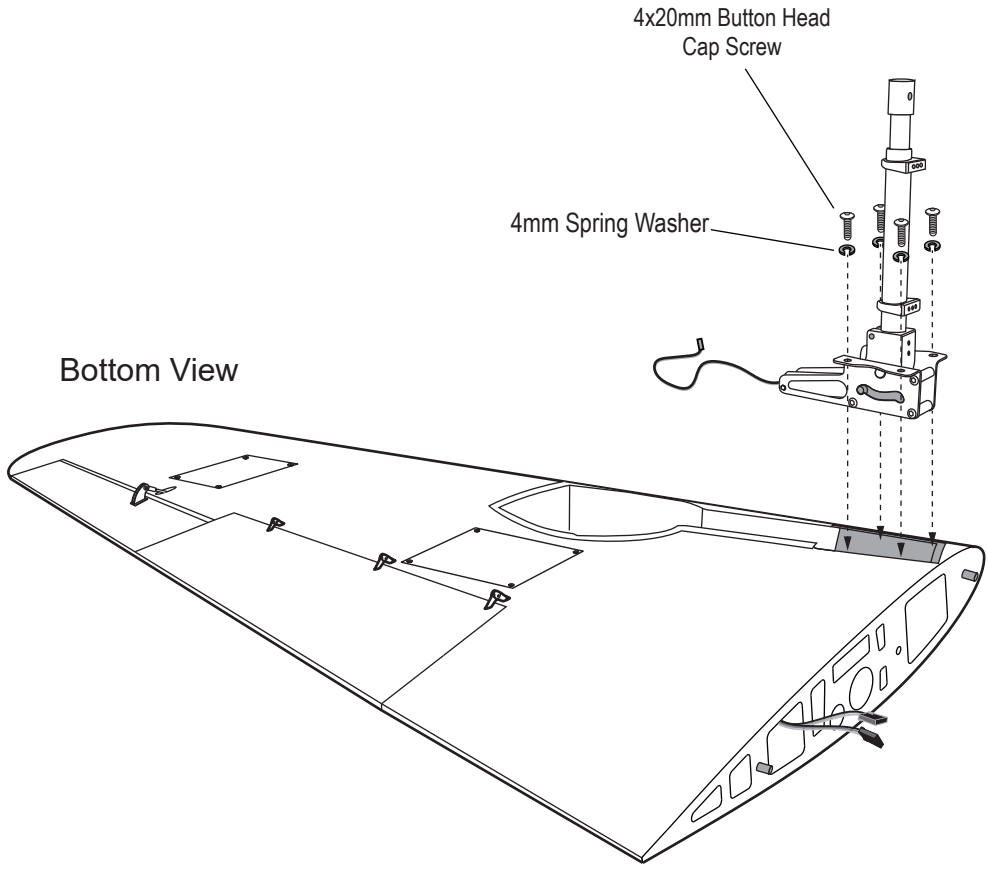
Apply epoxy glue.

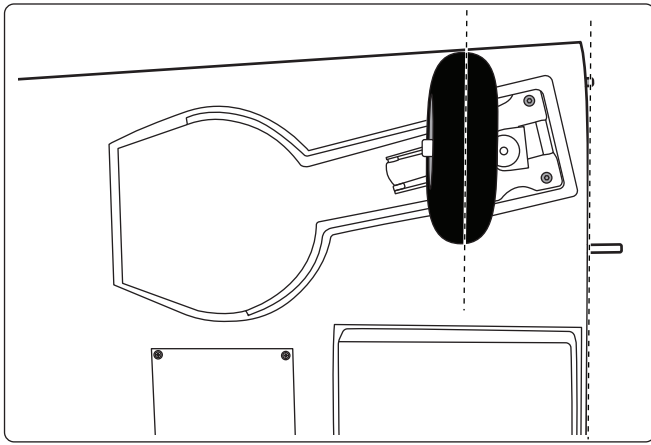
Assemble left and right sides the same way.

INSTALLING THE ELECTRIC RETRACTABLE LANDING GEAR

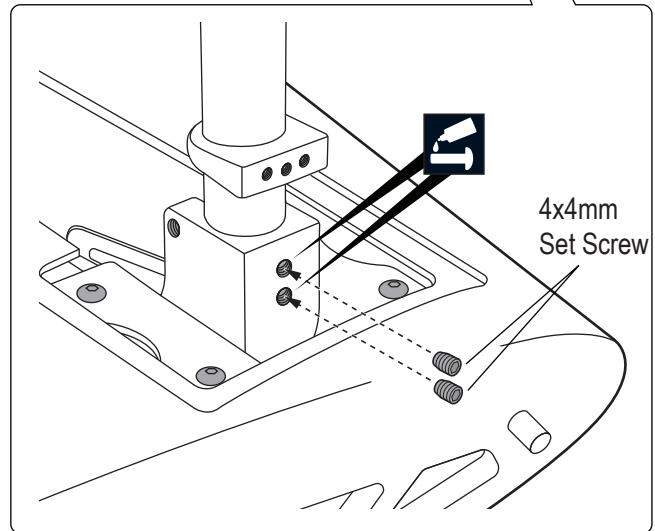
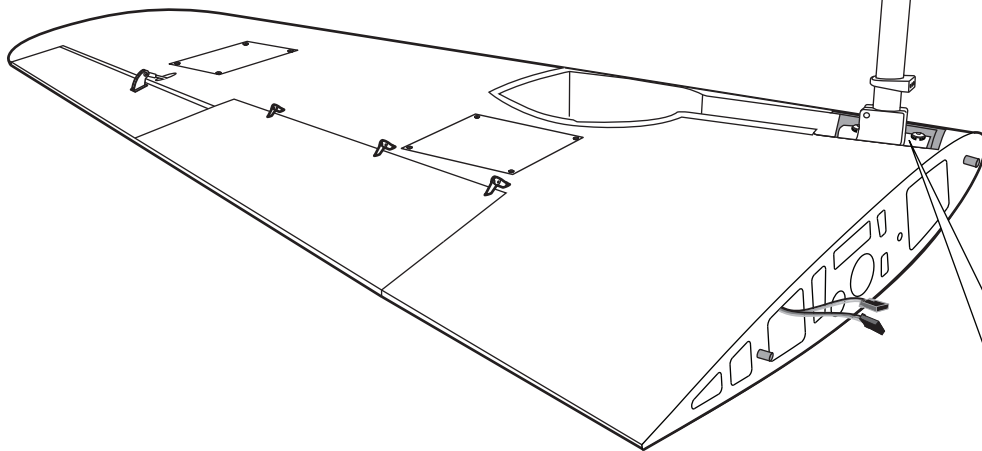
| | | | | |
|---|---|---|--|--|
| 6x50mm Socket Head Cap Screw  - 2 | 4x20mm Button Head Cap Screw  - 8 | Controller Box  - 1 |  | 115mm Wheel  |
| 6X16mm Flat washer  - 4 | 4mm Spring Washer  - 8 | | | |







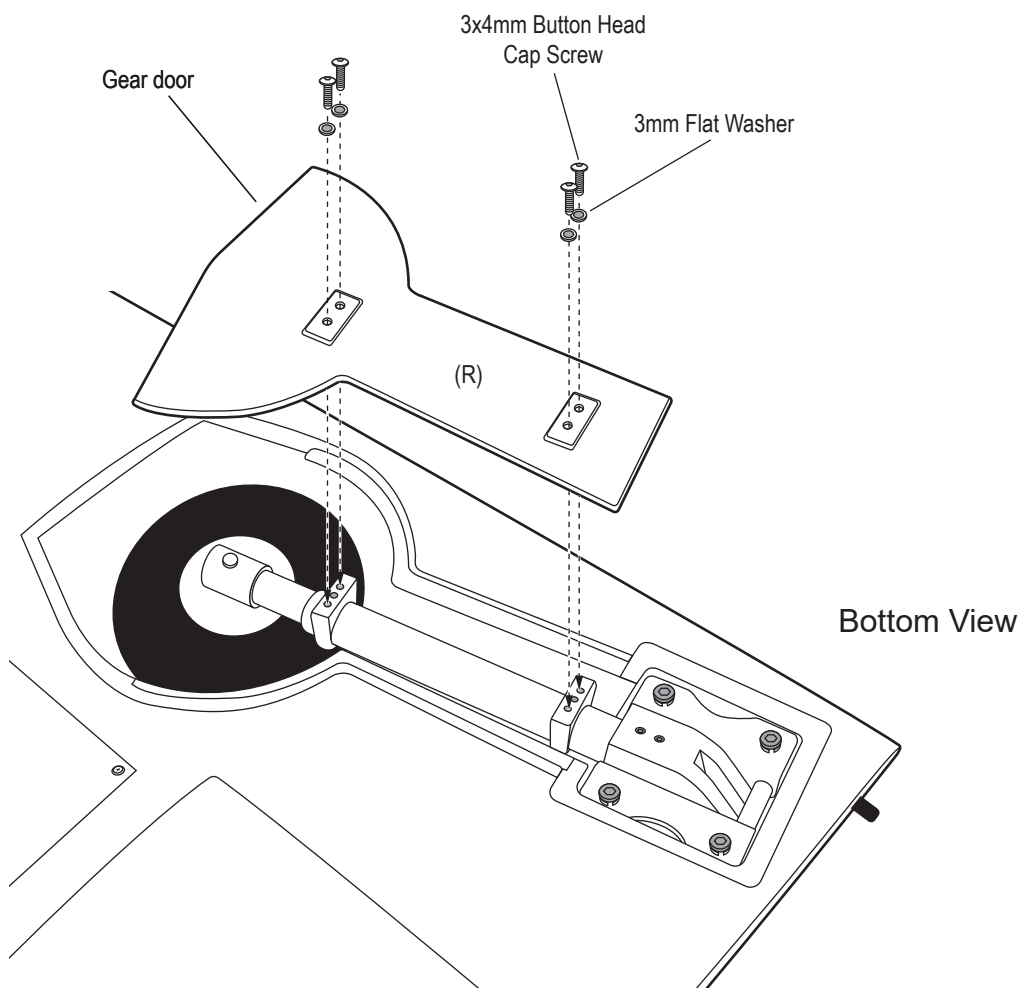
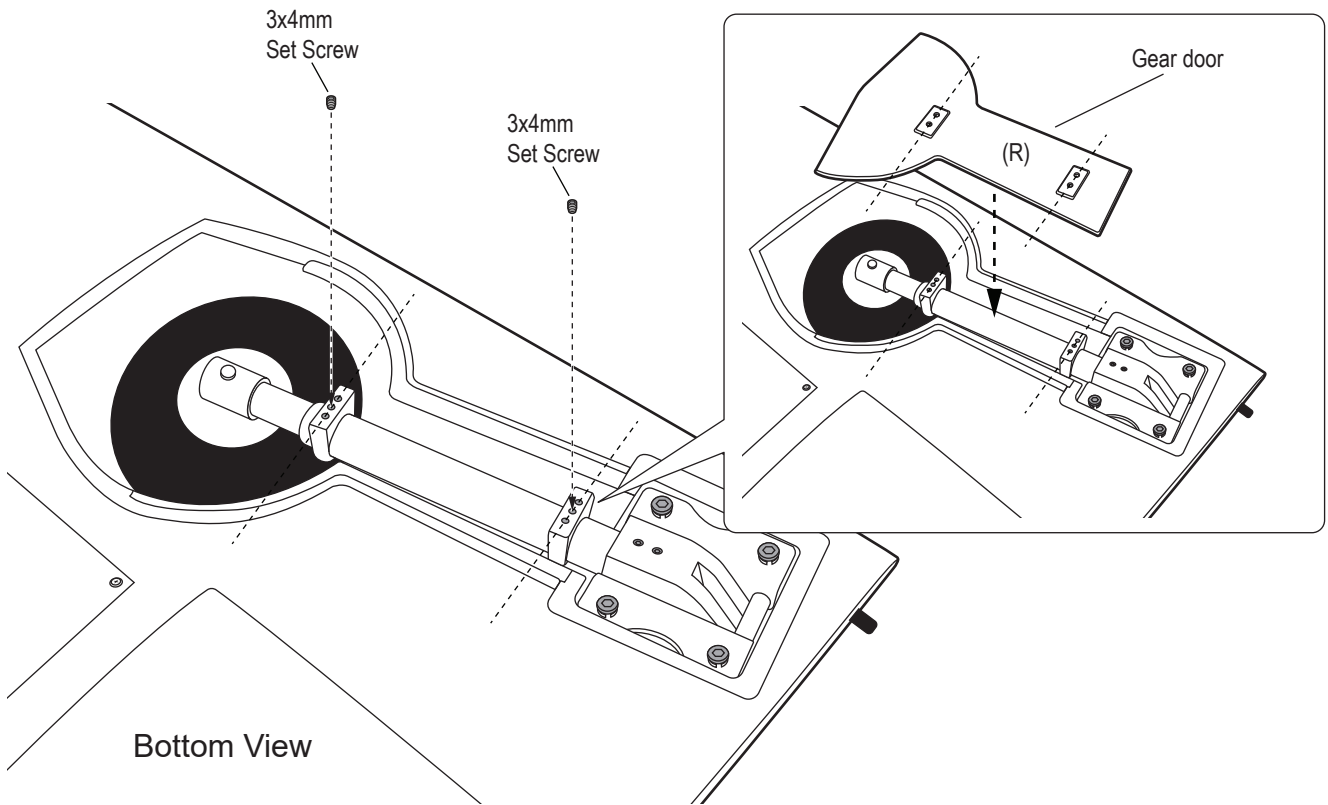
Bottom View

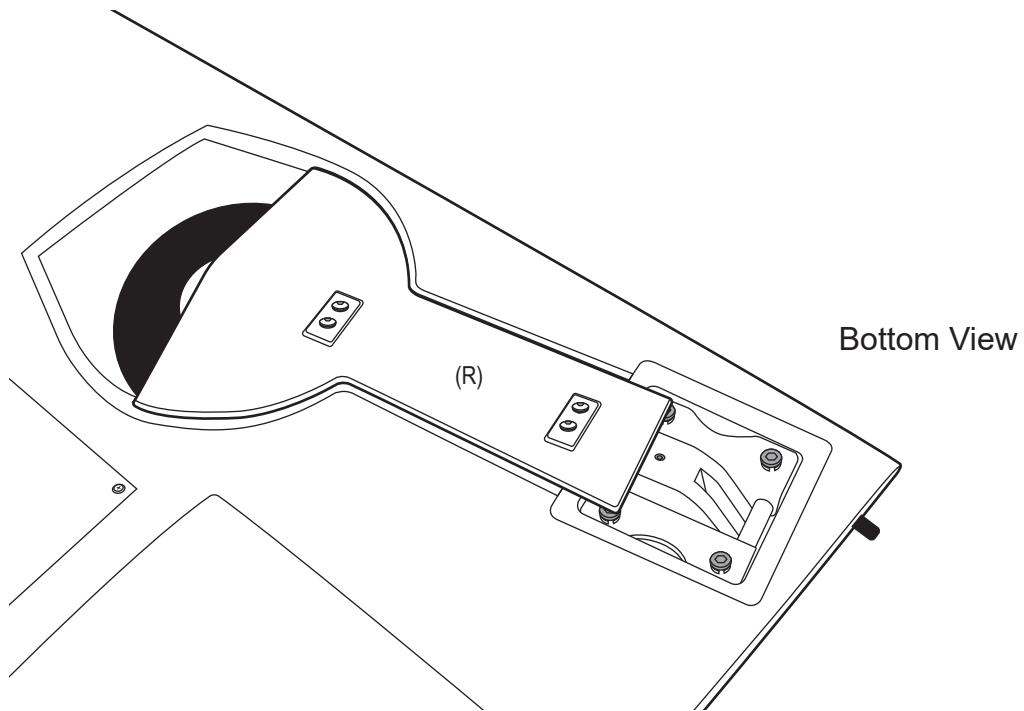


4x4mm Set Screw

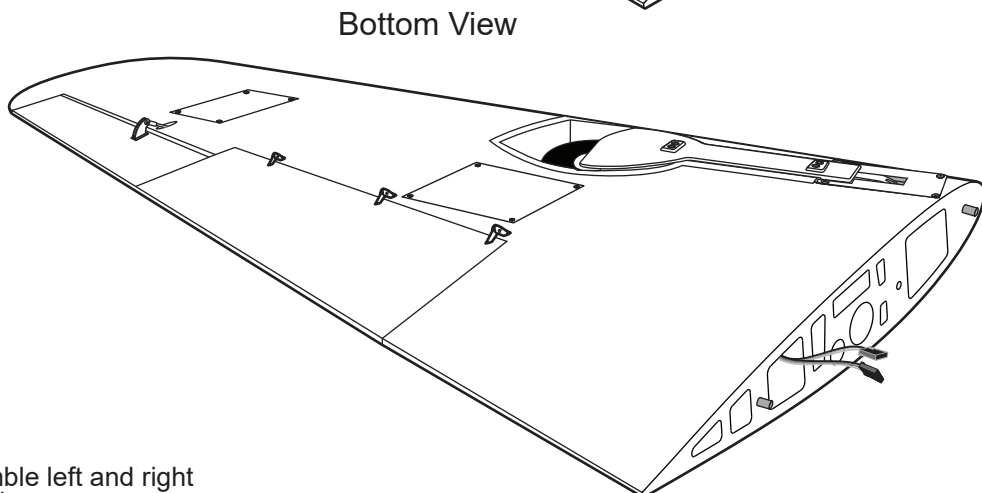
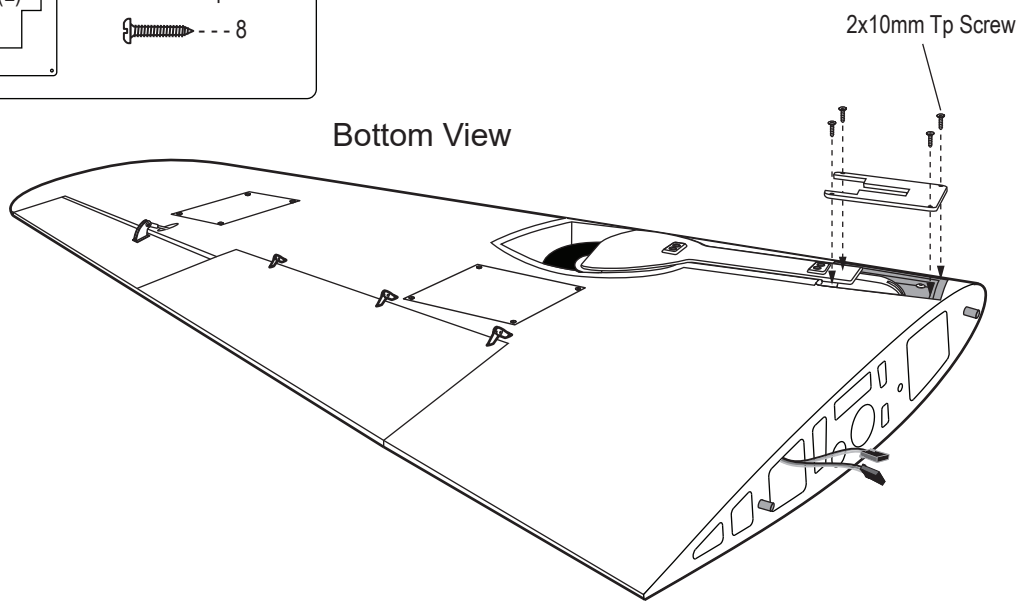
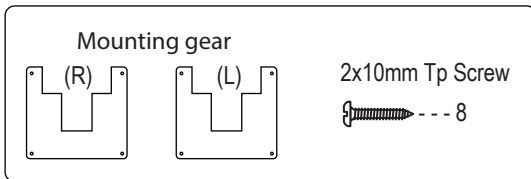
INSTALLING THE GEAR DOOR

| | |
|---------------------------------|--|
| <p>Gear door</p> <p>(L) (R)</p> | <p>3x8mm Button Head Cap Screw --- 8</p> <p>3mm Flat Washer --- 8</p> <p>3x4mm Set Screw --- 4</p> |
|---------------------------------|--|

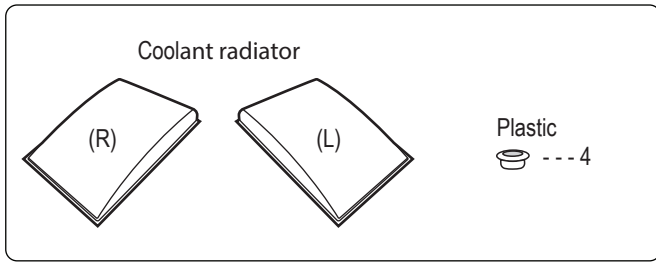




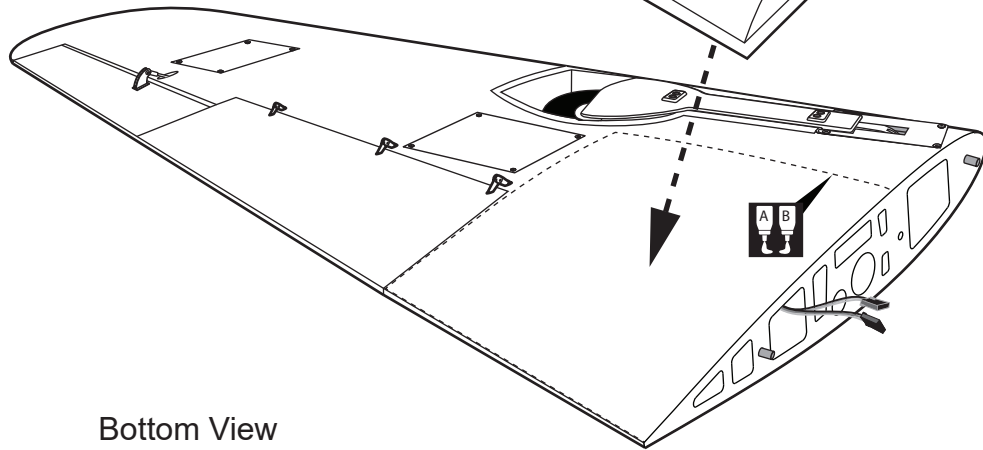
INSTALLING THE MOUNTING GEAR



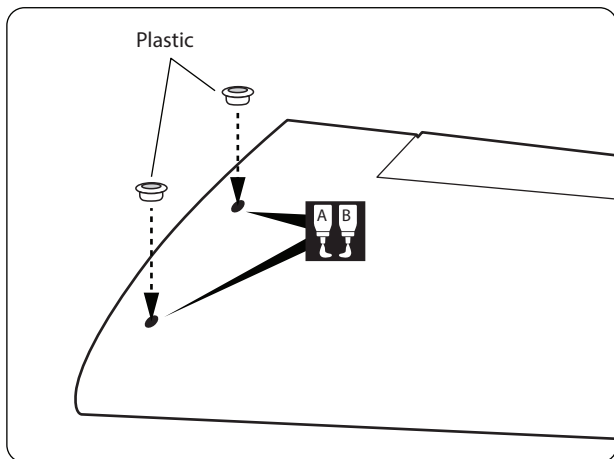
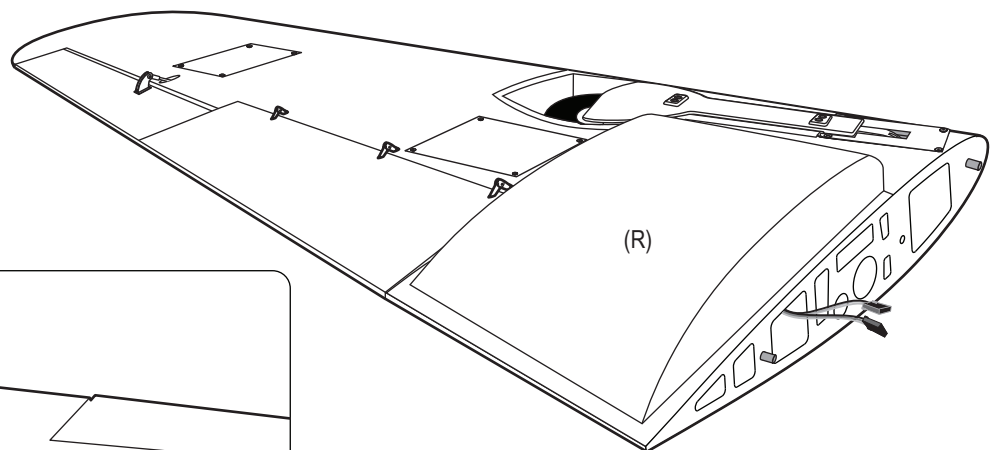
INSTALLING THE WING PLASTIC



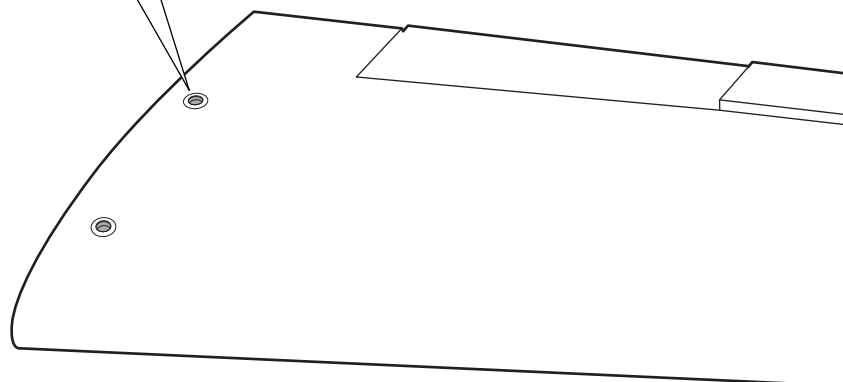
Bottom View



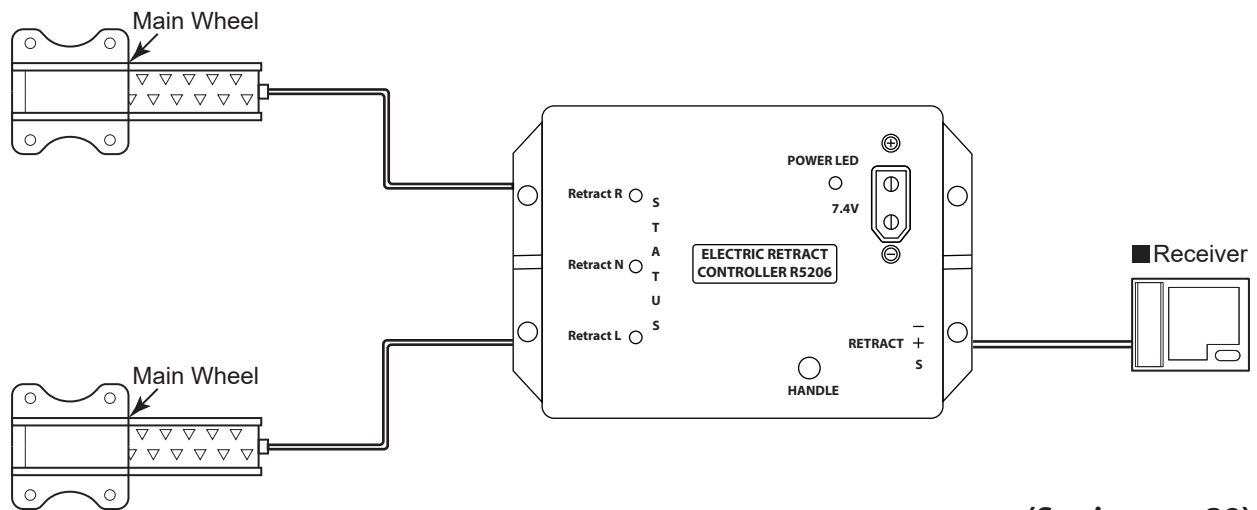
Bottom View



Top View



ELECTRIC RETRACT SYSTEM

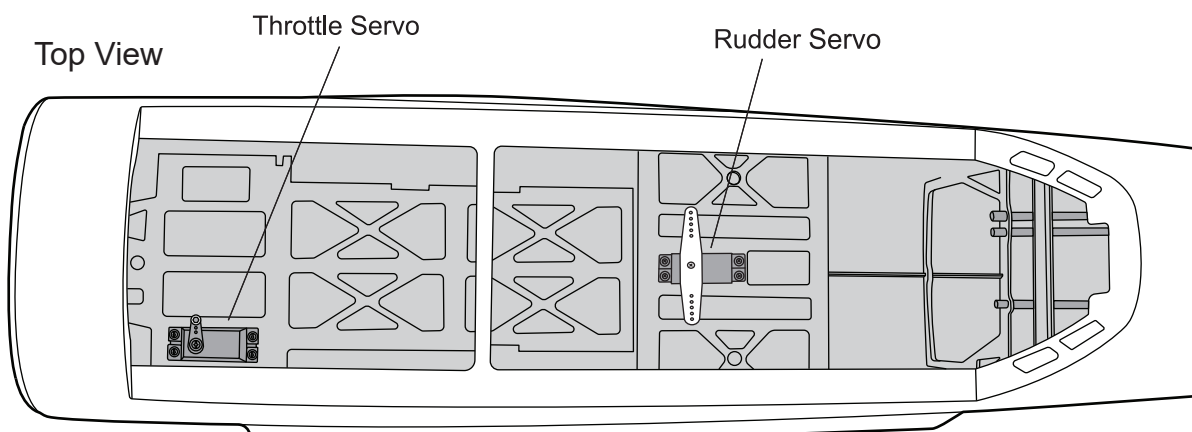
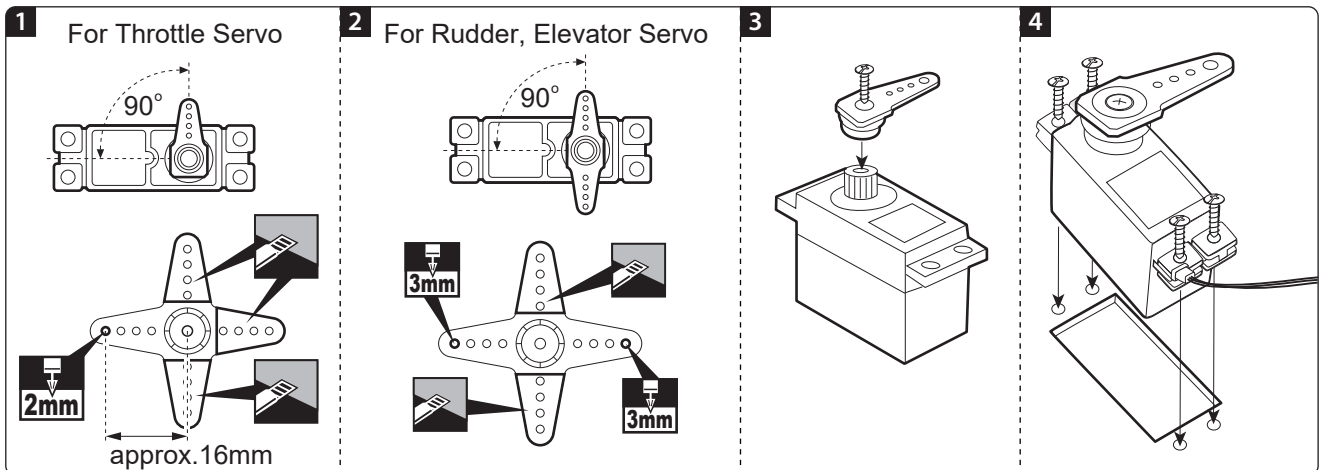
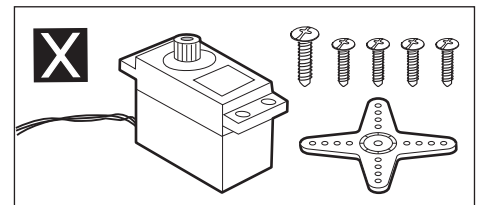


(See in page 39)

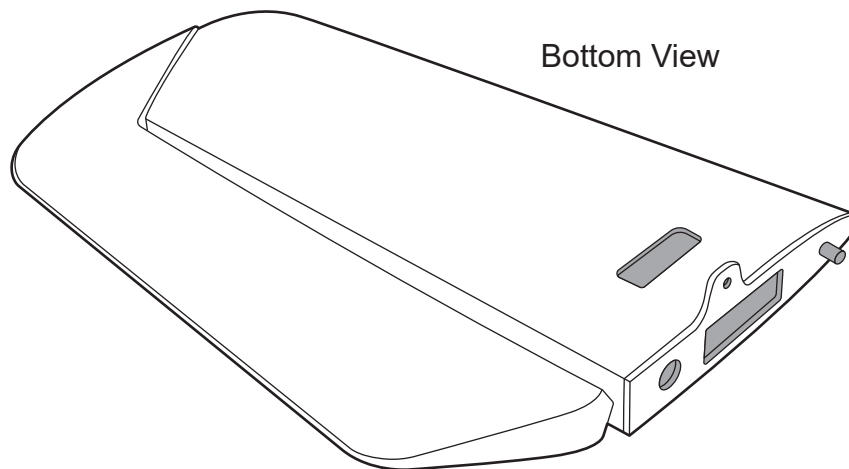
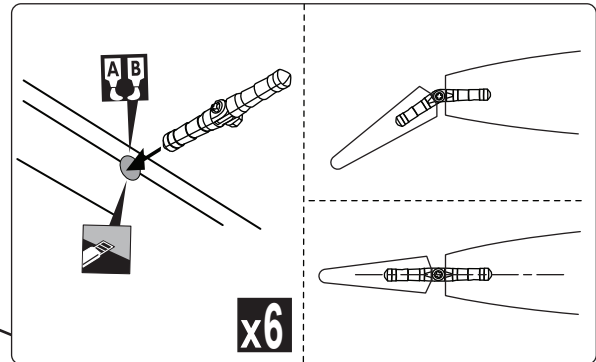
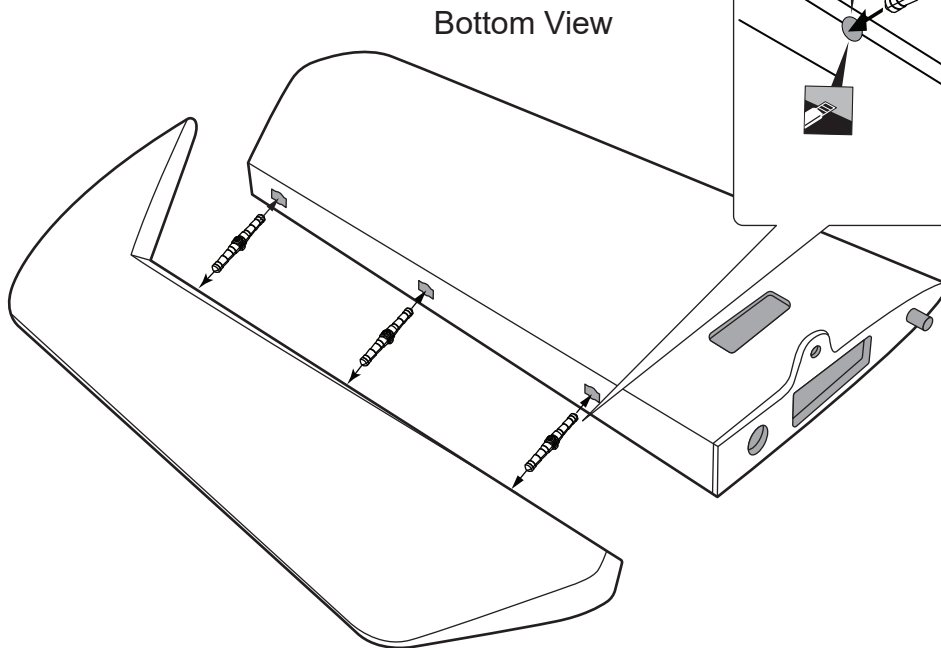
INSTALLING THE FUSELAGE SERVOS

1) Install the rubber grommets and brass collets into the elevator, rudder and throttle servor. Test fit the servos into the servo tray. Trim the tray if necessary to fit your servos.

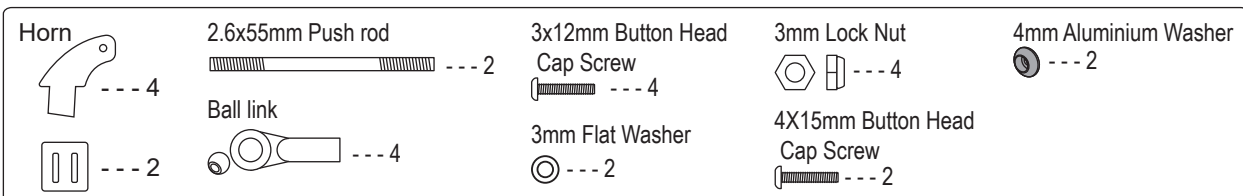
2) Mount the servo to the tray using the mounting screws provided with your radio system.



INSTALLING HORIZONTAL STABILIZER



ELEVATOR CONTROL HORN AND ELEVATOR PUSHROD INSTALLATION



x6 The number of times the same way Assembly (in this case six times).

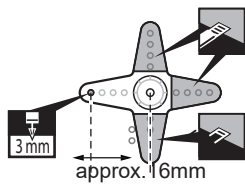
L/R Assemble left and right sides the same way.

A/B Apply epoxy glue.

Cut off shaded portion carefully.

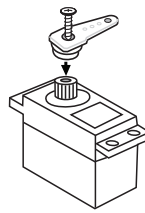
INSTALLING THE ELEVATOR SERVOS.

x2

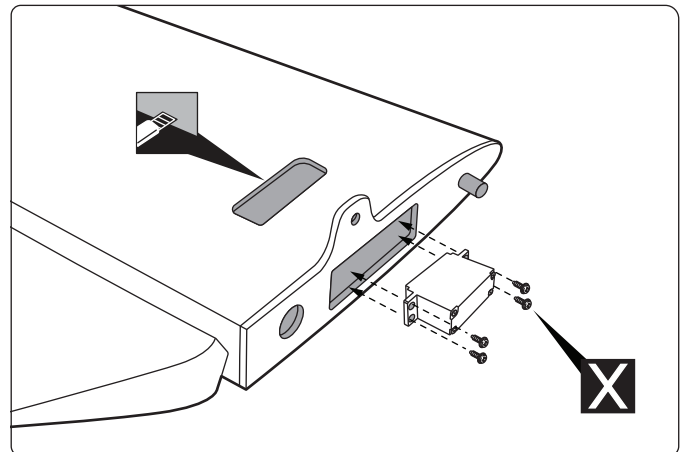
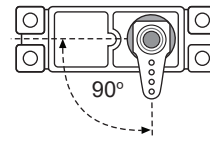


x2

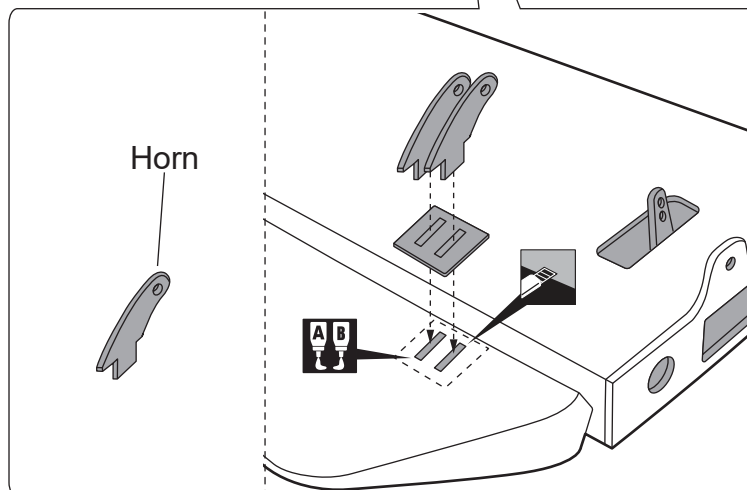
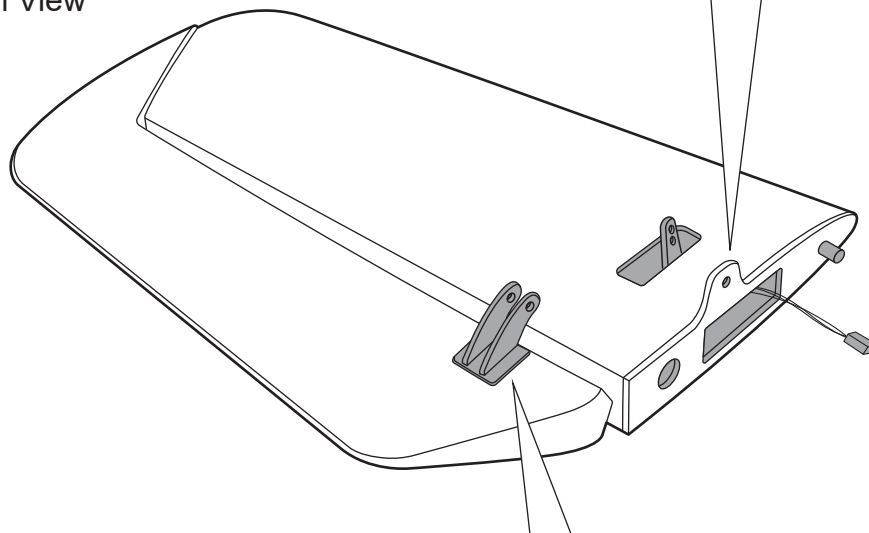
Elevator servos.



Elevator



Bottom View



Must be purchased separately!

x2

The number of times the same way Assembly (in this case twice).



Drill holes using the stated (in this case 2mm).



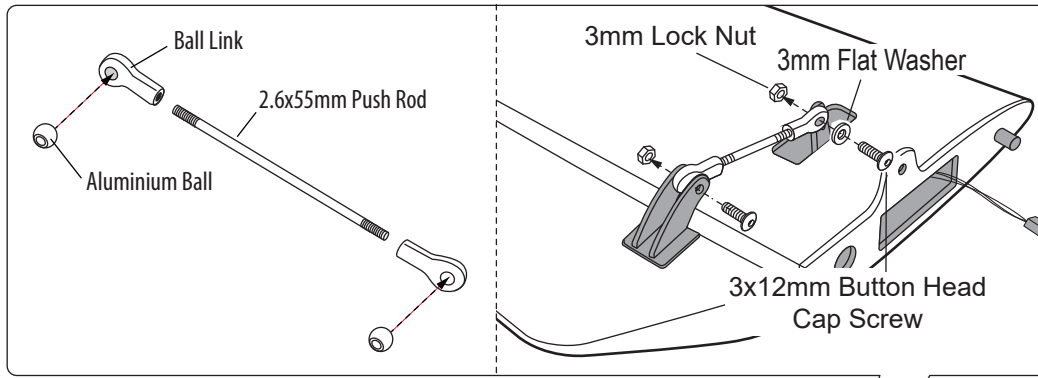
Apply epoxy glue.



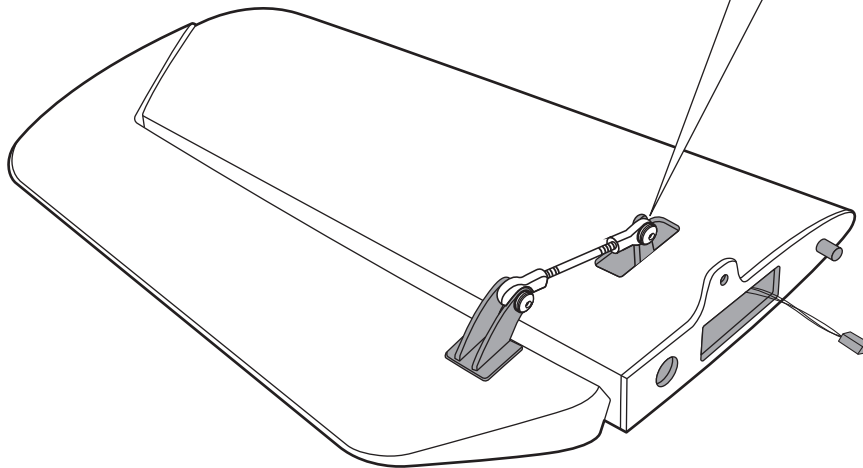
Cut off shaded portion carefully.



Assemble left and right sides the same way.

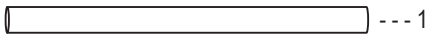


Bottom View

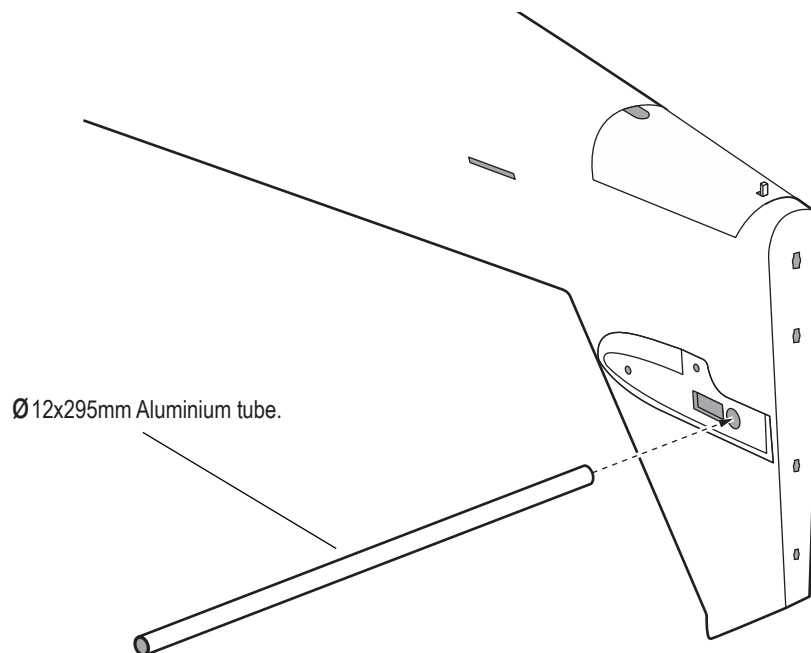


INSTALLING HORIZONTAL STABILIZER

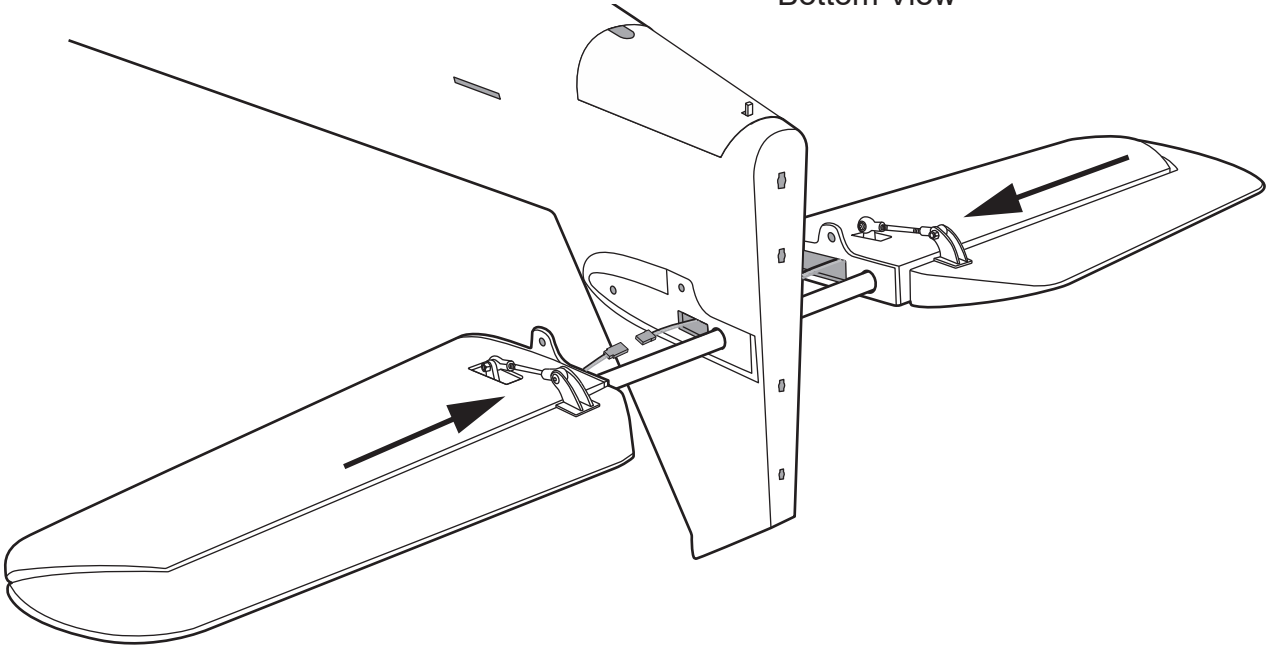
Ø12x295mm Aluminium tube.



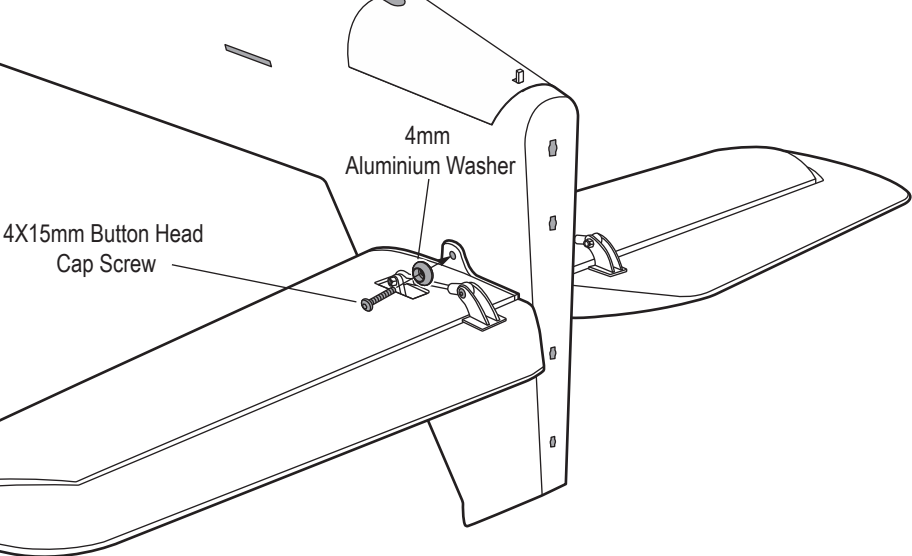
Bottom View



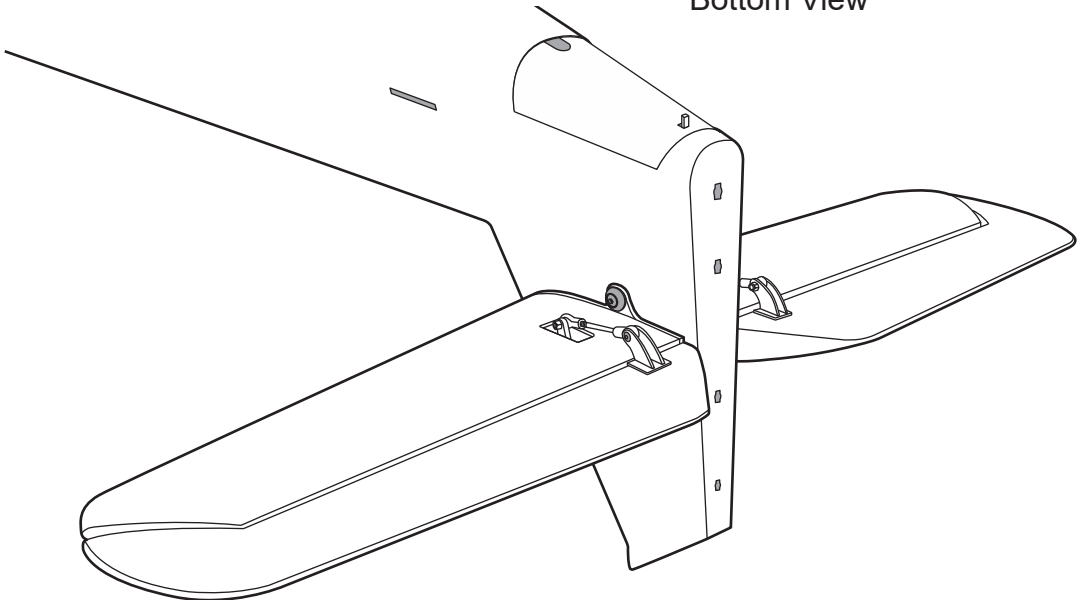
Bottom View



Bottom View

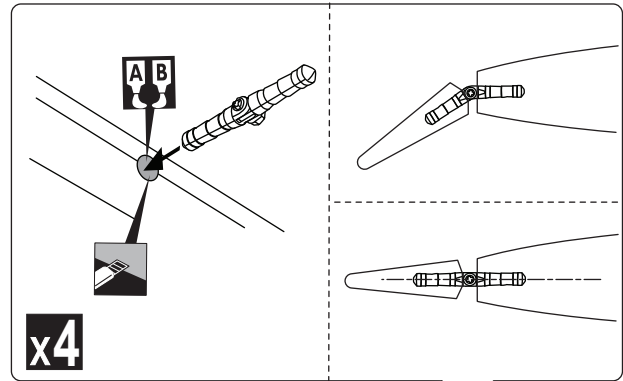


Bottom View

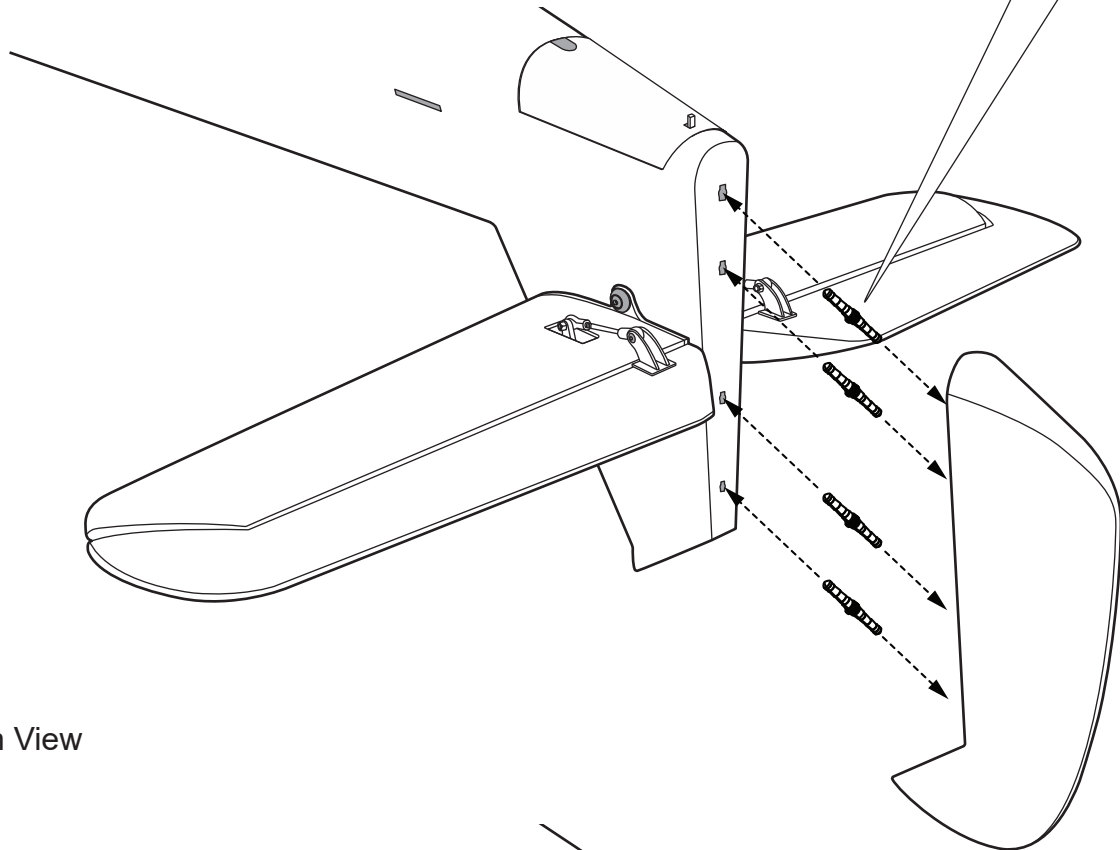


INSTALLING THE RUDDER

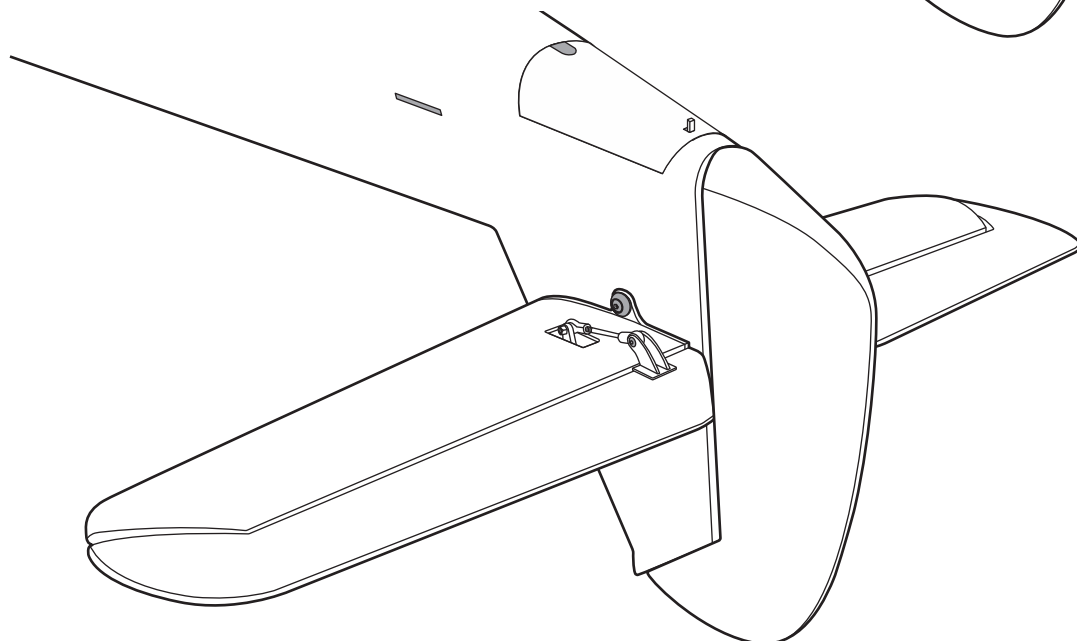
44mm Pinned hinge



Bottom View



Bottom View



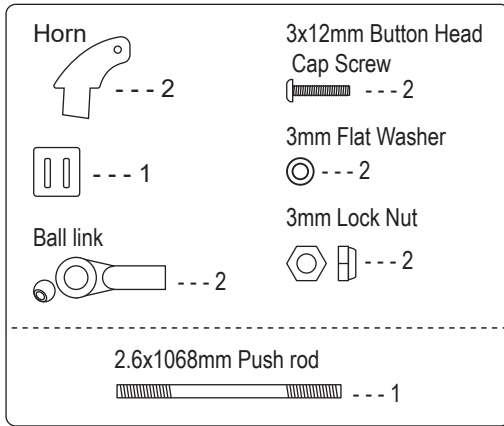
x4 The number of times the same way Assembly (in this case four times).



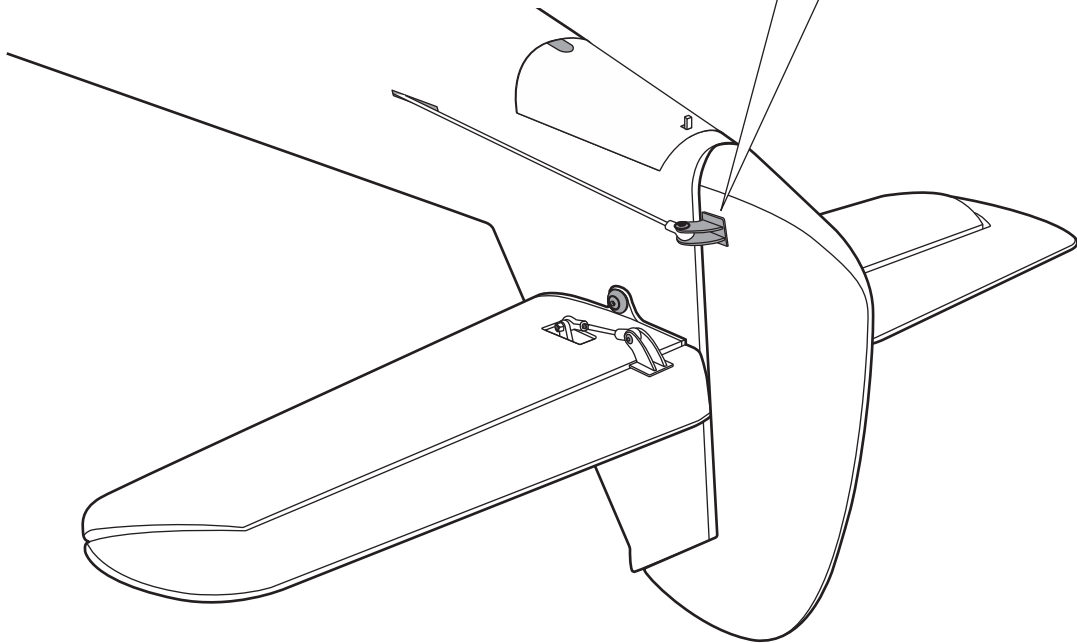
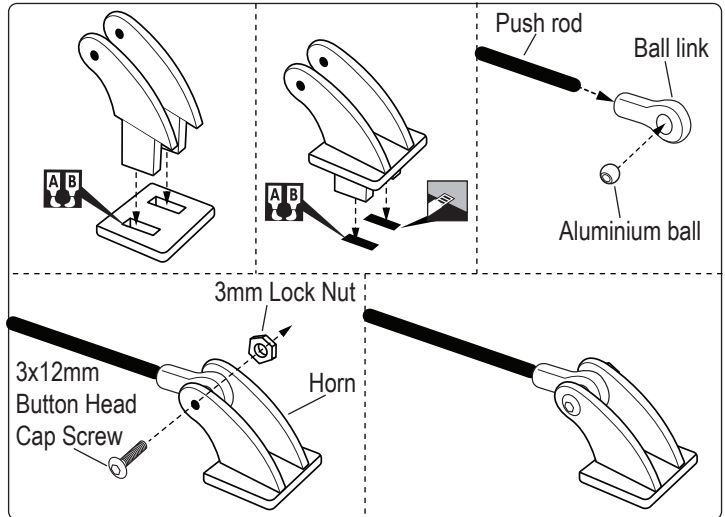
Apply epoxy glue.



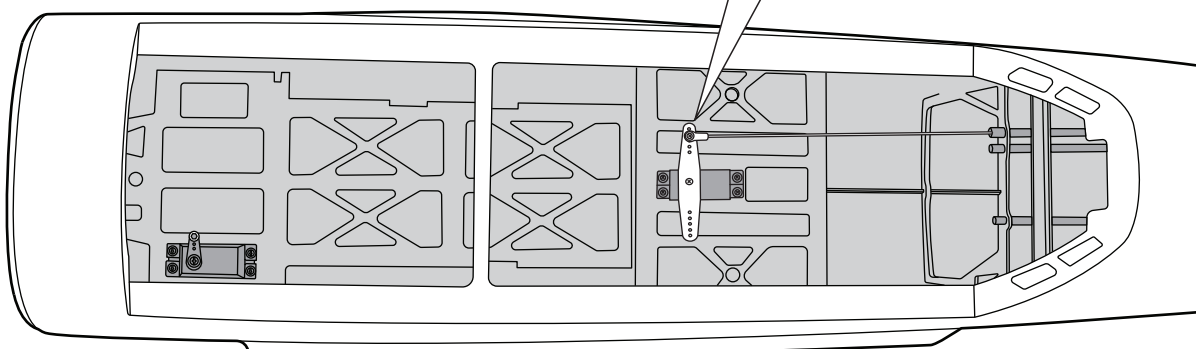
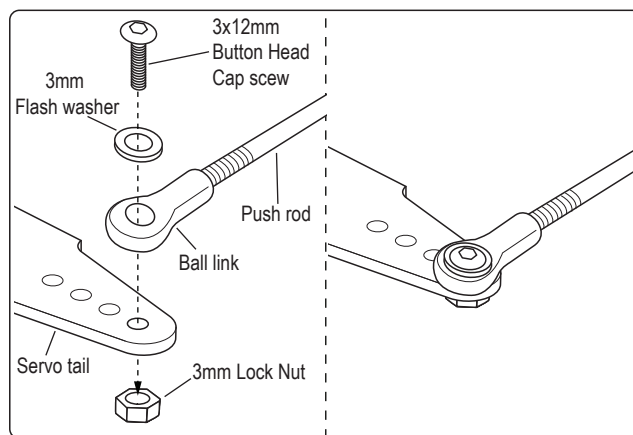
Cut off shaded portion carefully.

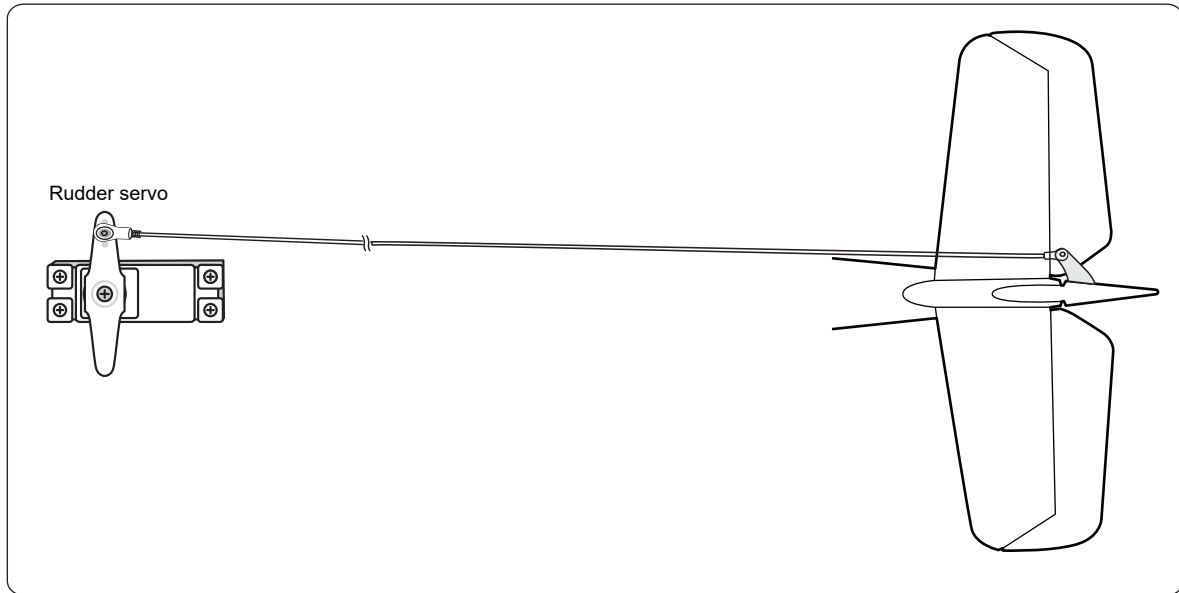


Bottom View




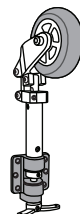







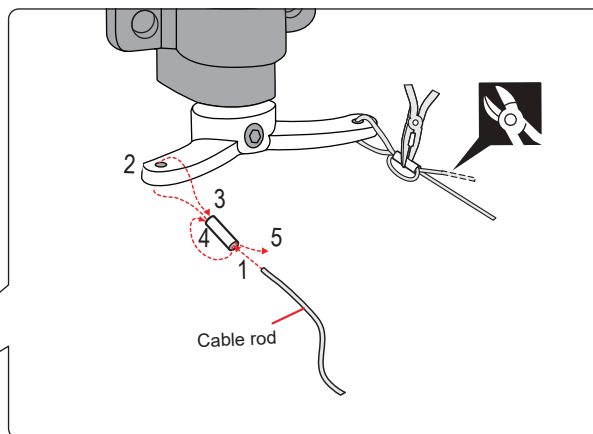
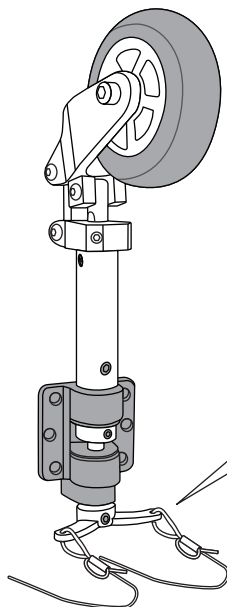
Top View



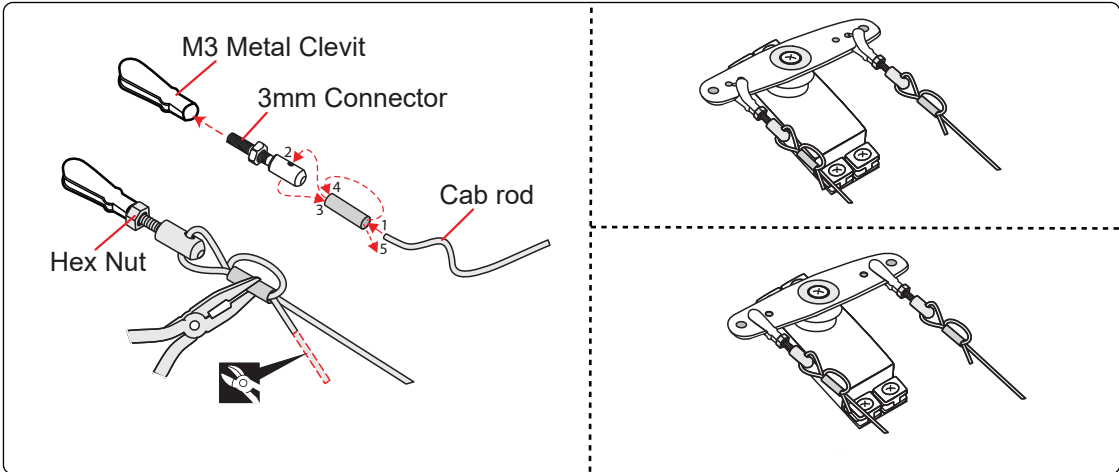
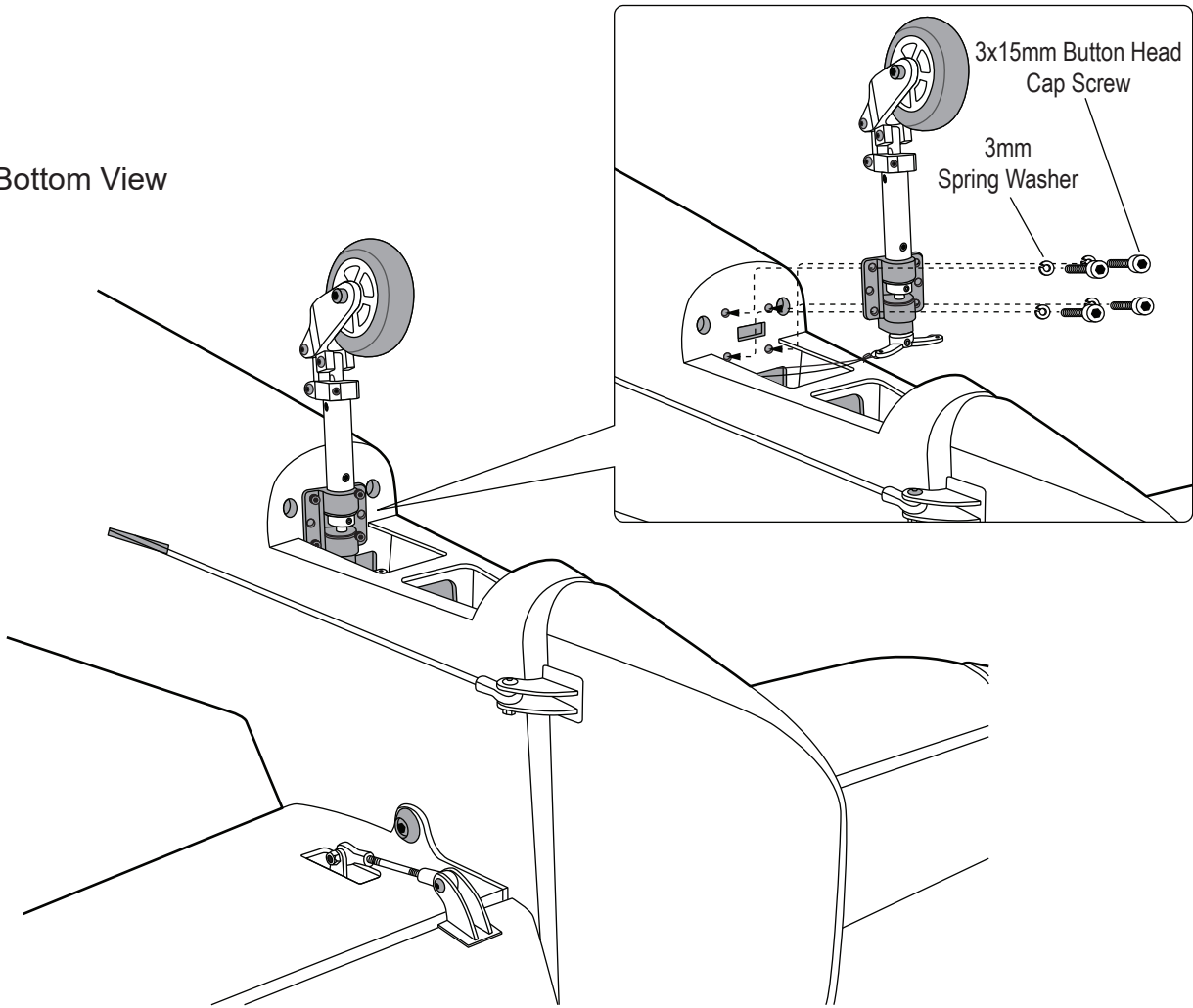


INSTALLING THE TAIL GEAR

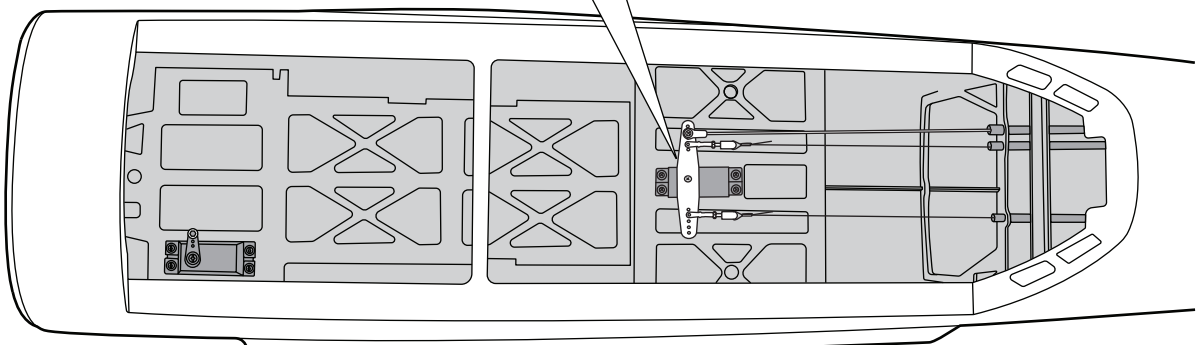
| | | | |
|--|---|---|--|
| 1200mm Cable rod  --- 2 | 3x30mm Cablink  --- 2 | 3mm Flat Washer  --- 4 | TAIL GEAR  |
| Lock Tube  --- 4 | 3x15mm Button Head Cap Screw  --- 4 | 3mm Spring Washer  --- 4 | |
| M3 Metal Clevis  --- 2 | 3mm Hex Nut  --- 2 | | |
| | | | |
| | | | |



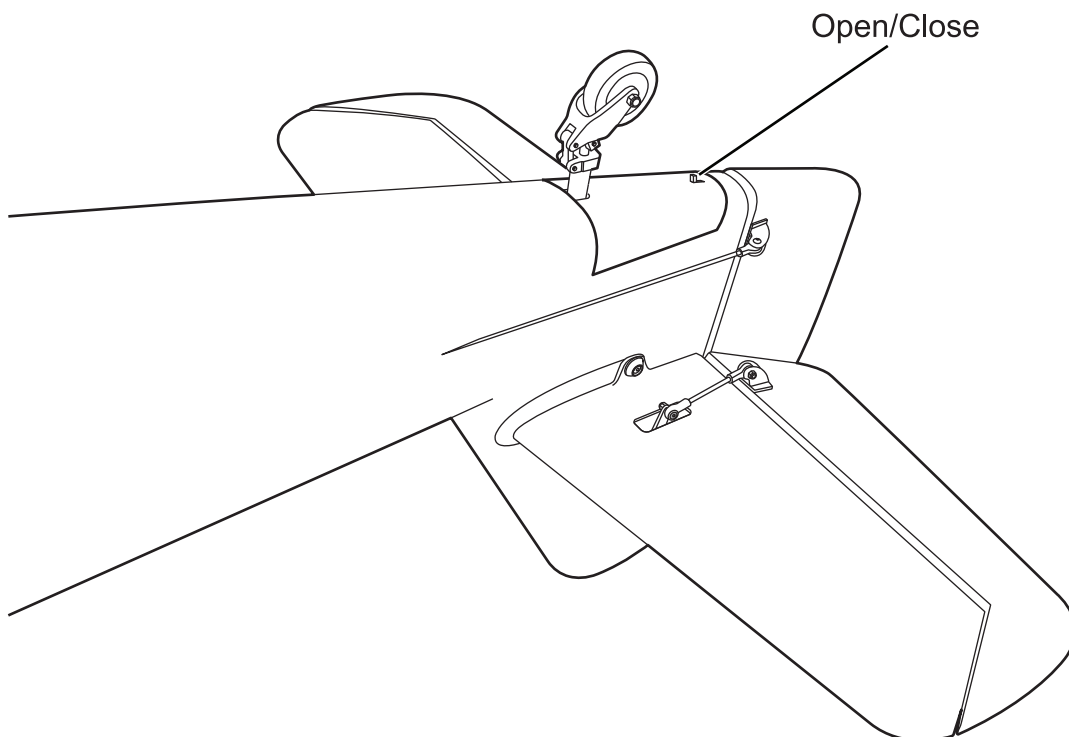
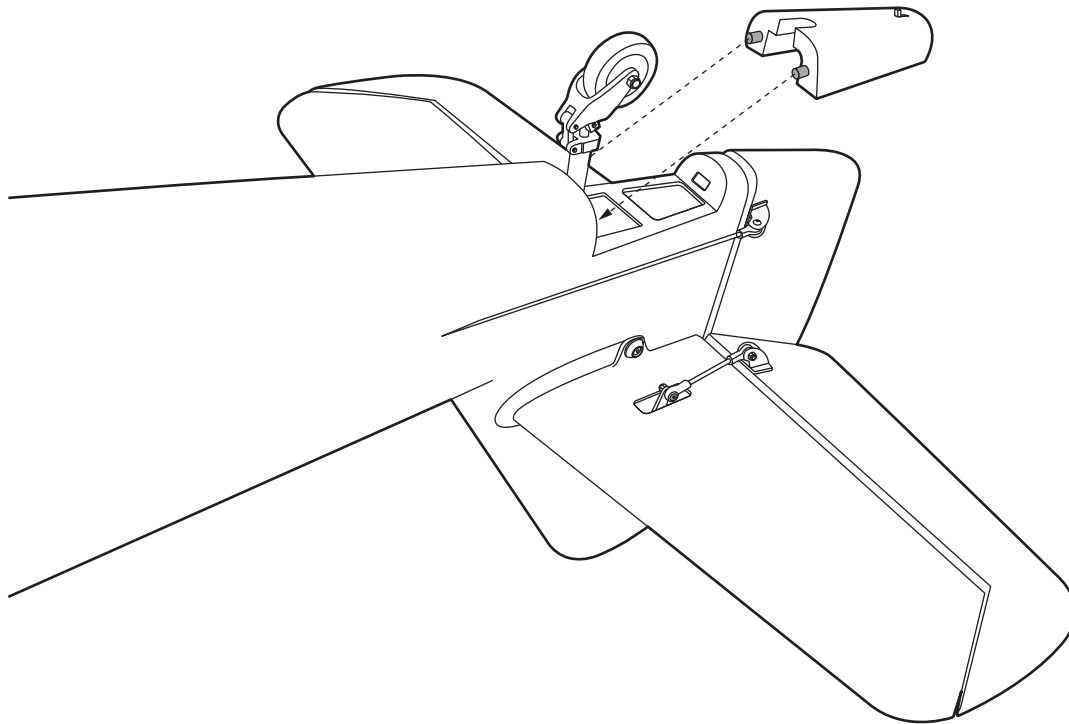
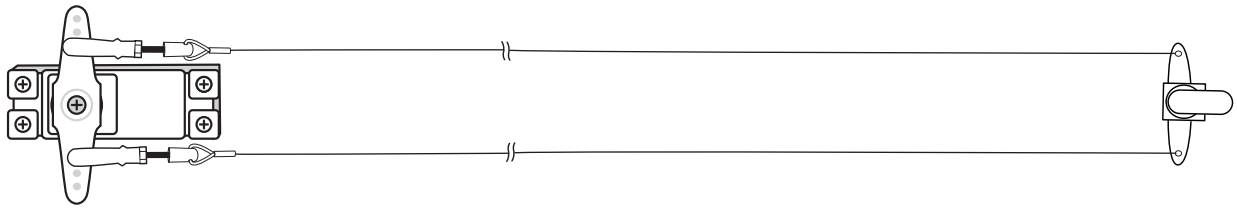
Bottom View



Bottom View

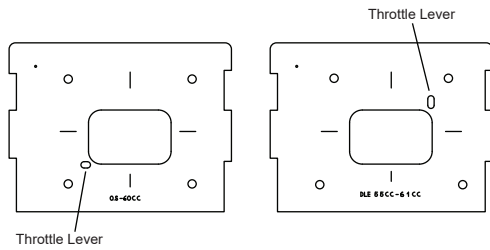


Rudder servo

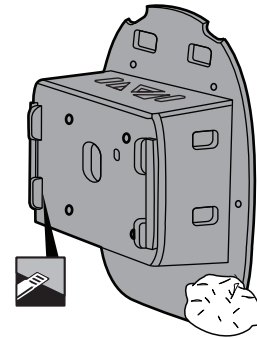


INSTALLING THE ENGINE MOUNT

Using plate of plywood (supplied with the kit) mark the holes onto the fire wall for installing the engine mount for DLE-55CC or OS-60CC.

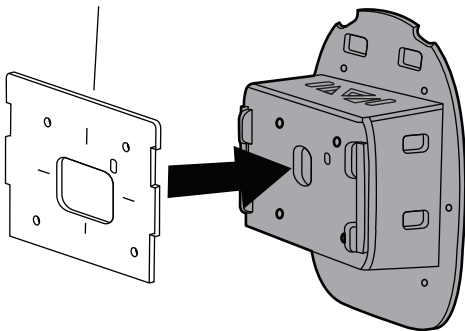


May be you also need to trim some wood from the tri-angle wood for the installation is easy.

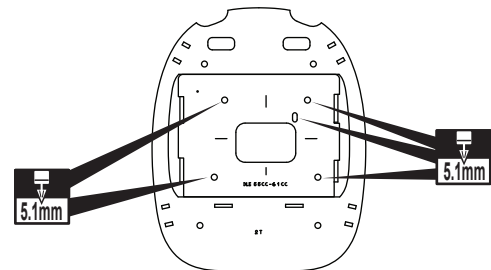
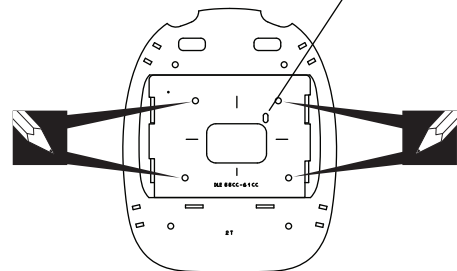


DLE-55CC-61CC

Plate of plywood

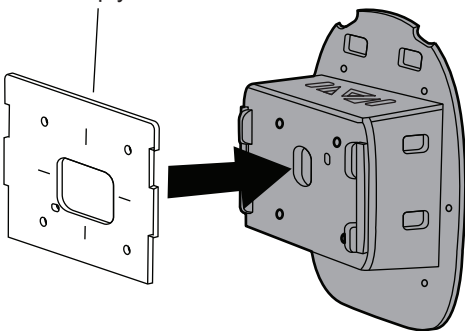


Throttle hole
Φ 6mm

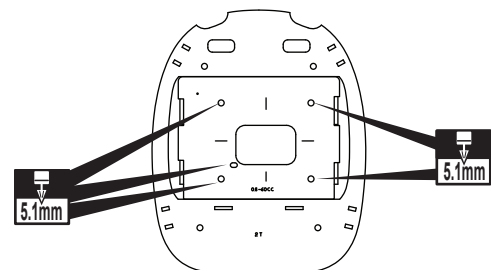
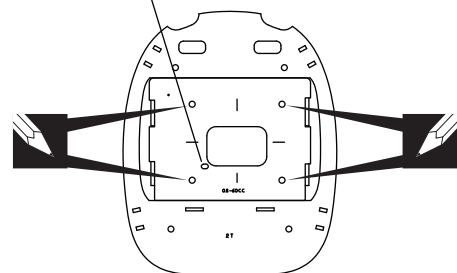


OS-60CC

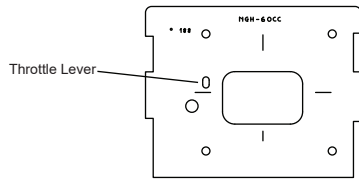
Plate of plywood



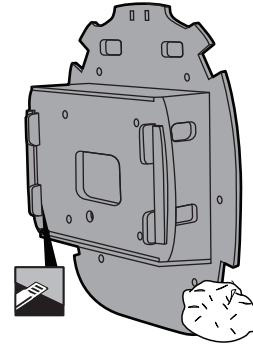
Throttle hole
Φ 6mm



Using plate of plywood (supplied with the kit) mark the holes onto the fire wall for installing the engine mount for NGH-60CC.

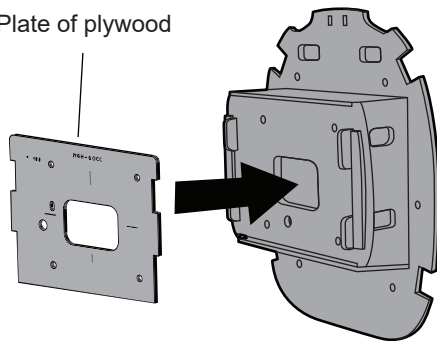


May be you also need to trim some wood from the tri-angle wood for the installation is easy.

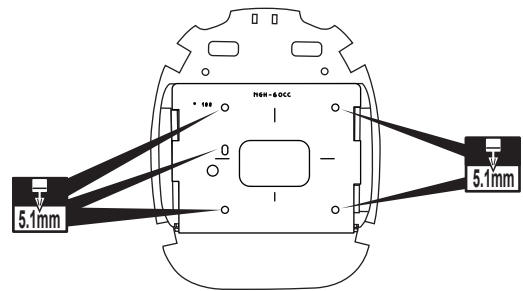
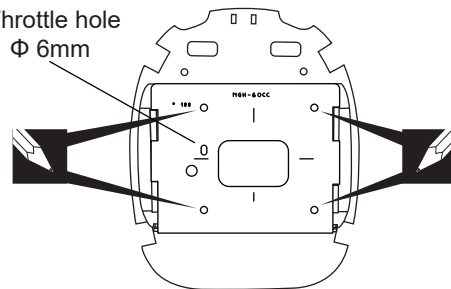


NGH-60CC

Plate of plywood



Throttle hole
Φ 6mm



Drill holes using the stated (in this case 1.5mm ø).



Cut off shaded portion carefully.





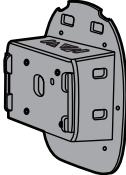






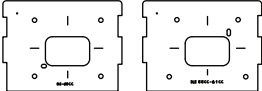


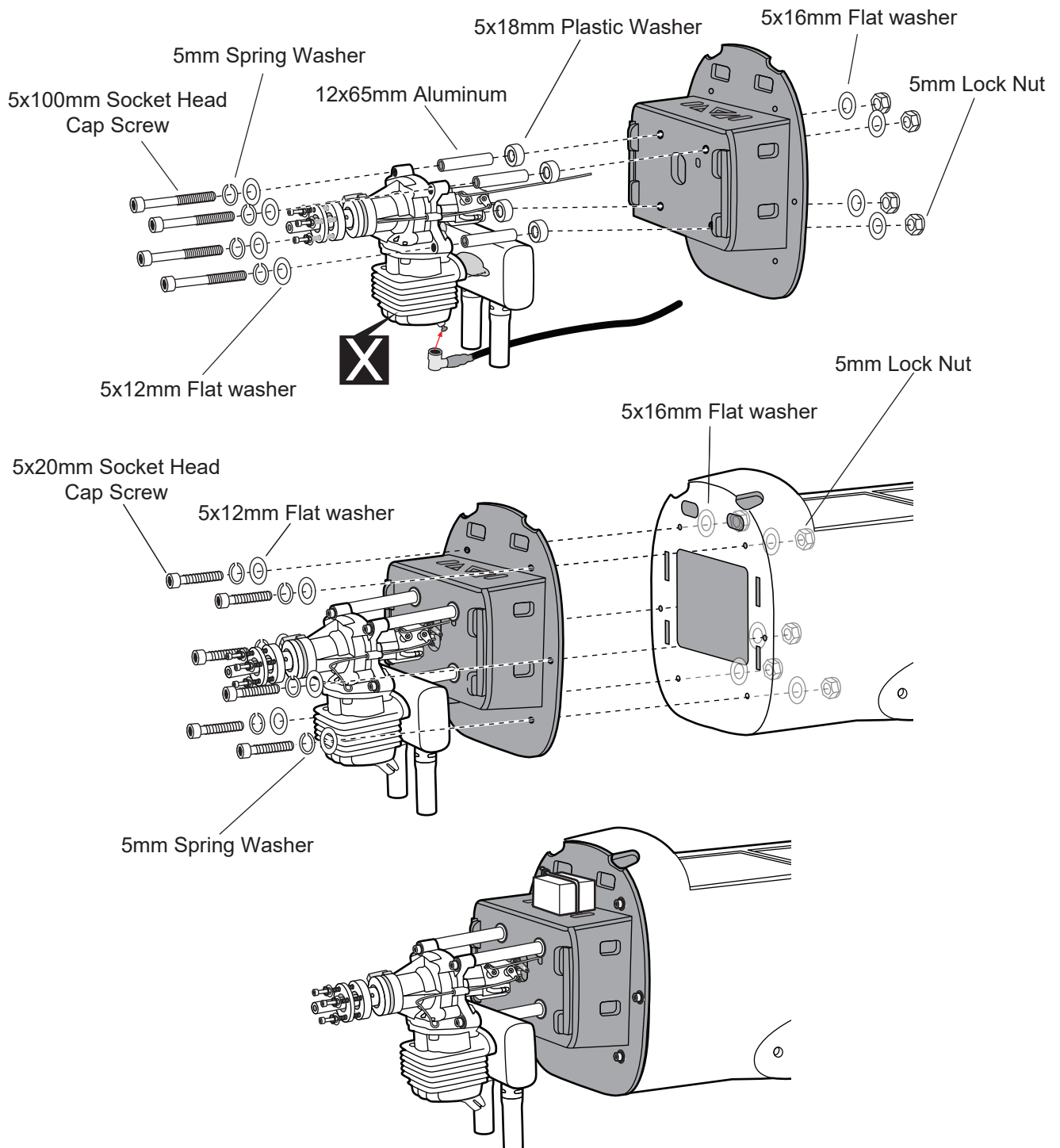
Use a pencil to mark


INSTALLING THE ENGINE

There are two options:

1. Option 1:

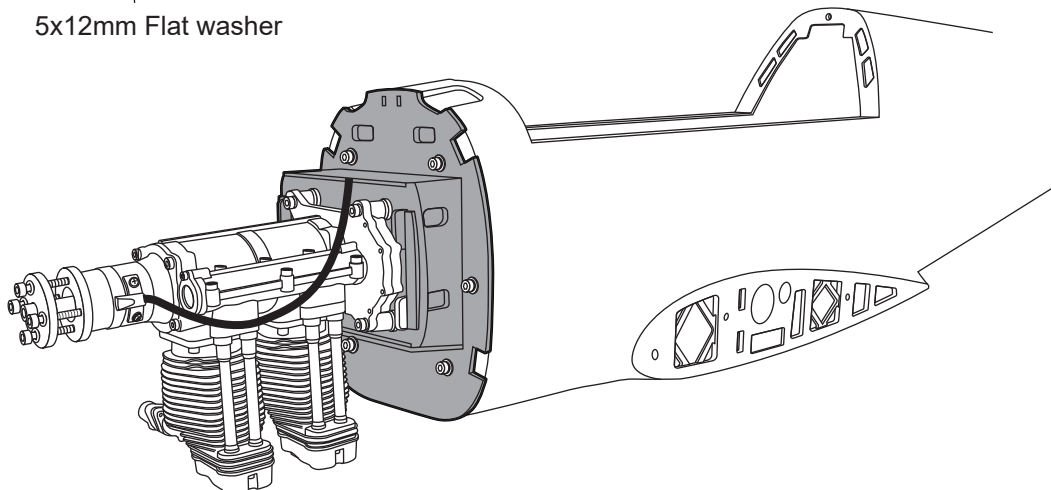
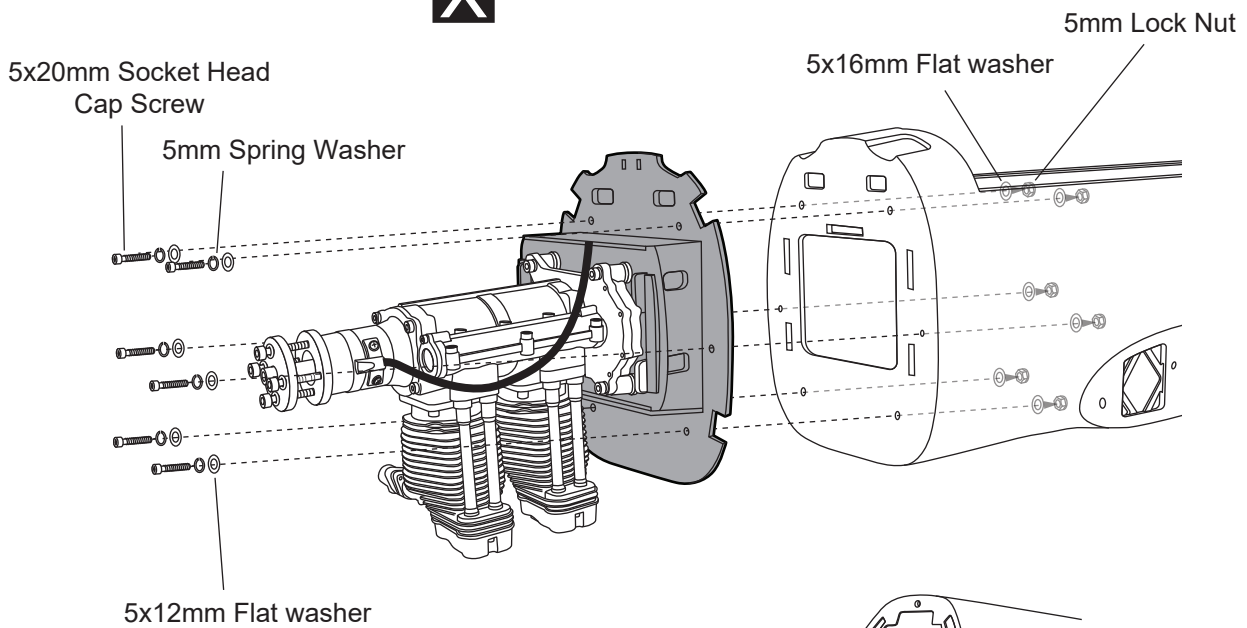
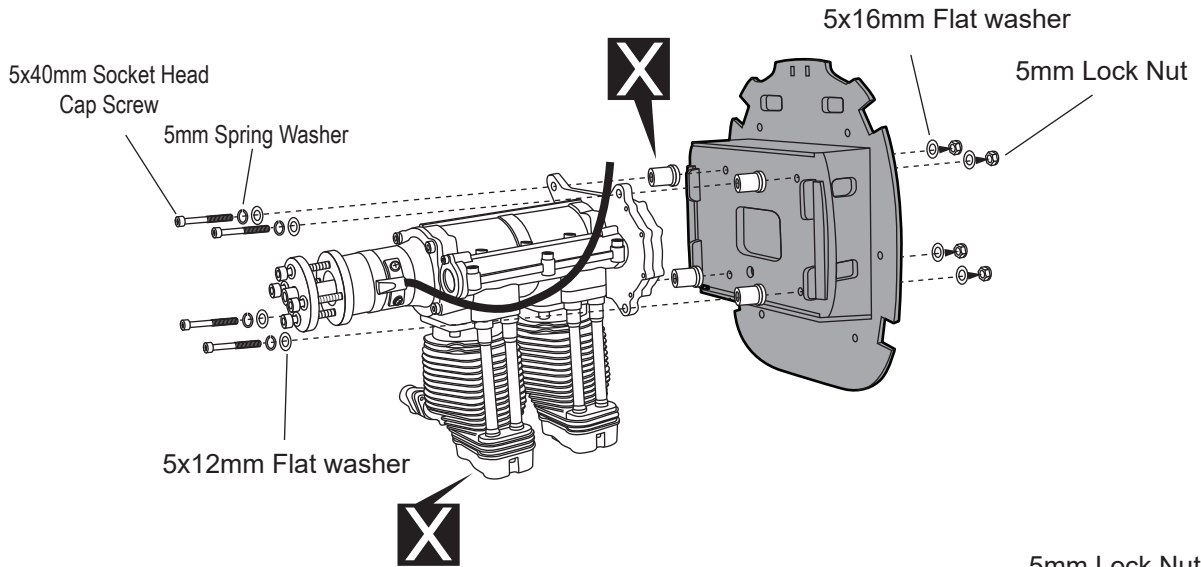
| | | | | |
|--|---|--|--|---|
| 5x100mm Socket Head Cap Screw  --- 4 | 500mm Pushrod wire  --- 1 | 5mm Spring Washer  --- 10 | 5x16mm Flat washer  --- 10 | Plywood engine Mount  --- 1 |
| 12x65mm Aluminum  --- 4 | 5x20mm Socket Head Cap Screw  --- 6 | 5x12mm Flat washer  --- 10 | 5mm Lock Nut  --- 10 | |
| 5x18mm Plastic Washer  --- 4 | Connector (use in page 35)  --- 1 |  | | |



 Must be purchased separately!

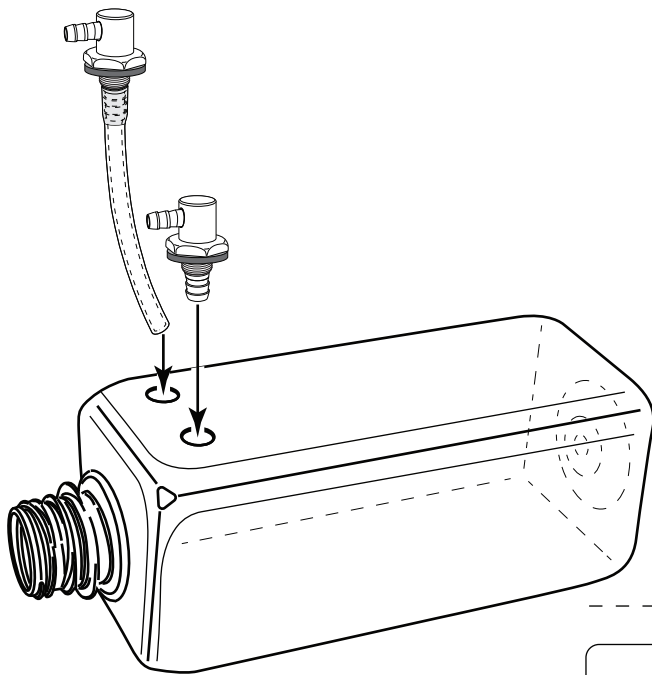
2. Option 2:

| | | | |
|---------------------------------------|-----------------------------|-----------------------|-------------------------------|
| 5x40mm Socket Head Cap Screw --- 4 | 5mm Spring Washer --- 4 | 5mm Lock Nut --- 4 | Plywood engine Mount --- 1 |
| 5x12mm Flat washer --- 4 | 5x16mm Flat washer --- 4 | | |



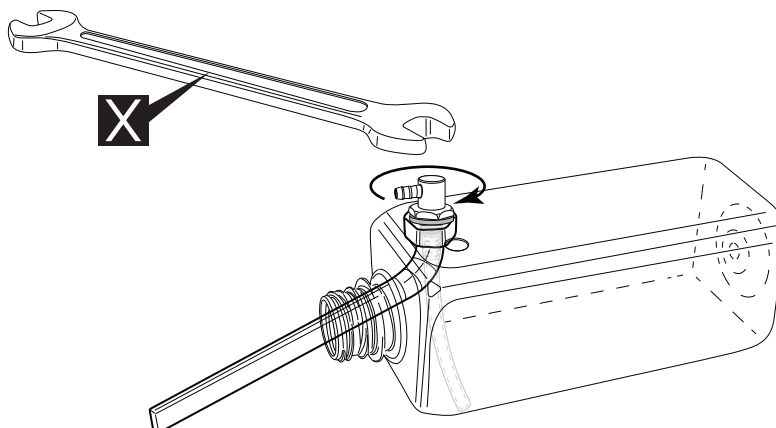
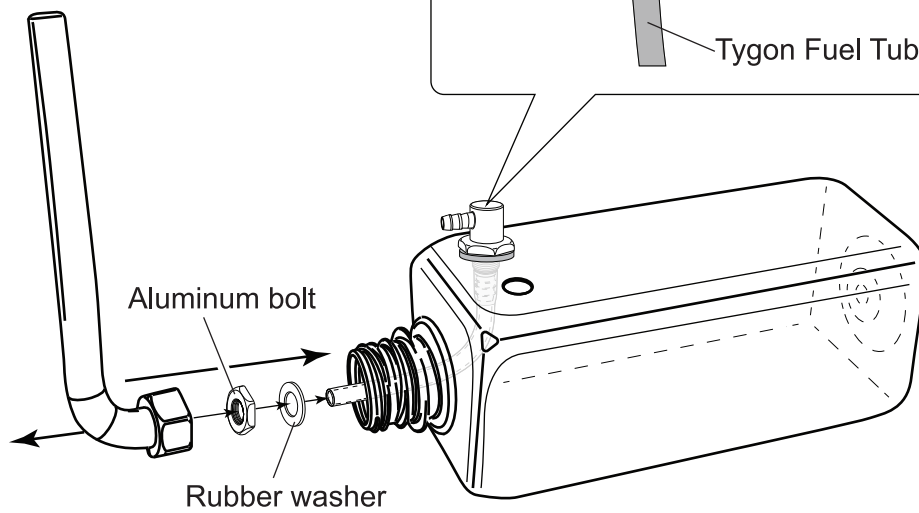
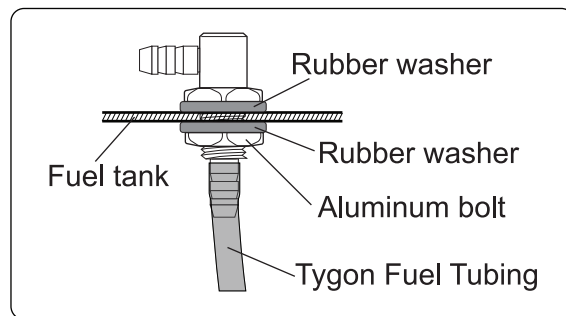
X Must be purchased separately!

• ASSEMBLY FUEL TANK GUIDE

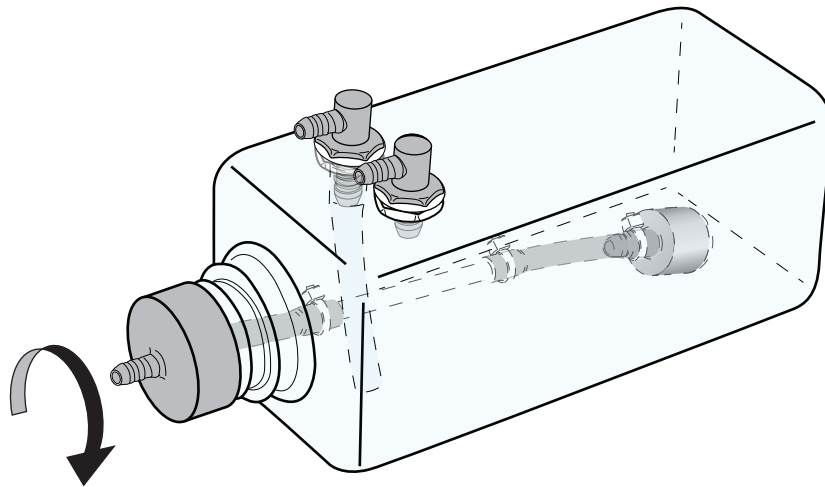
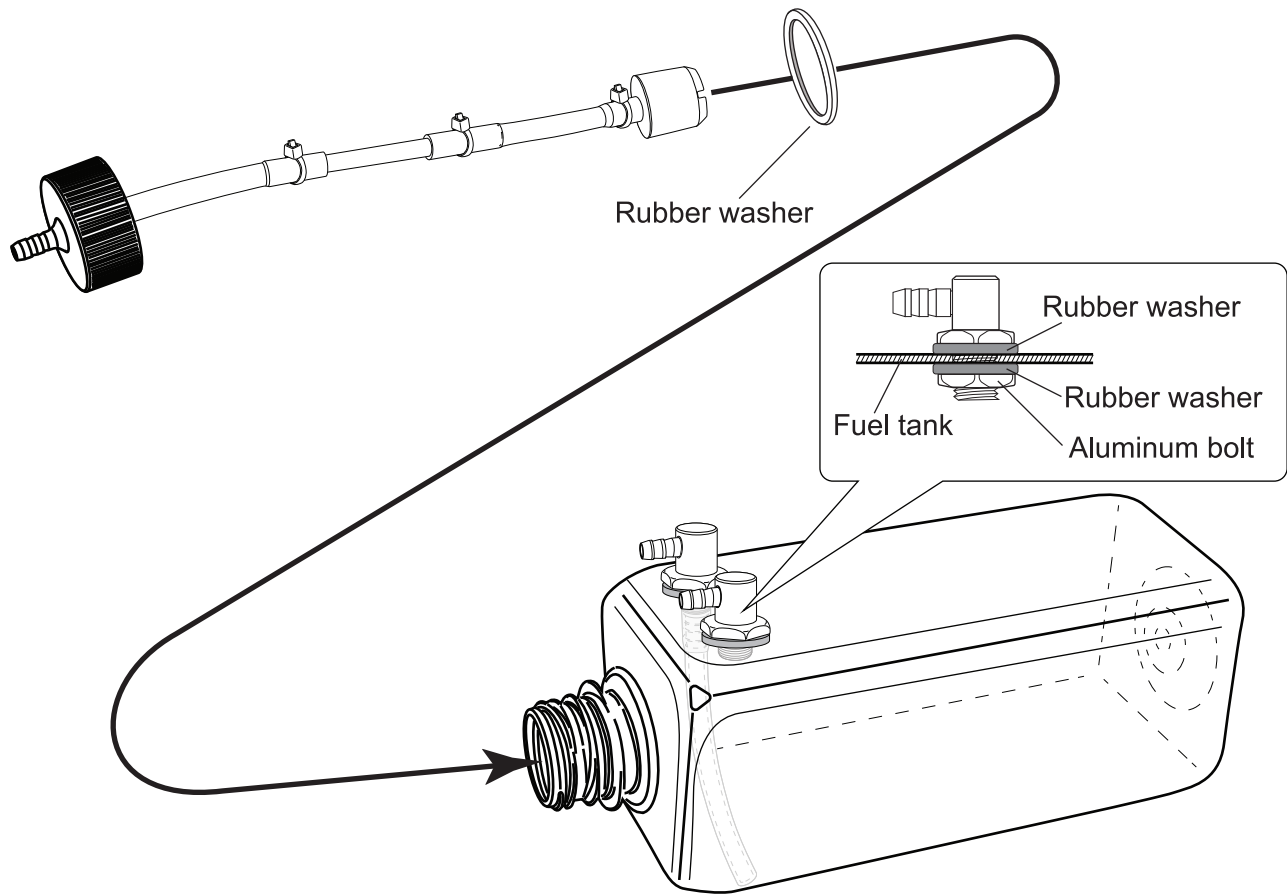


| | |
|--------------------|---|
| Fuel Tank | 1 |
| Rubber washer | 4 |
| Full CNC machining | 1 |
| | 1 |
| | 1 |
| | 2 |

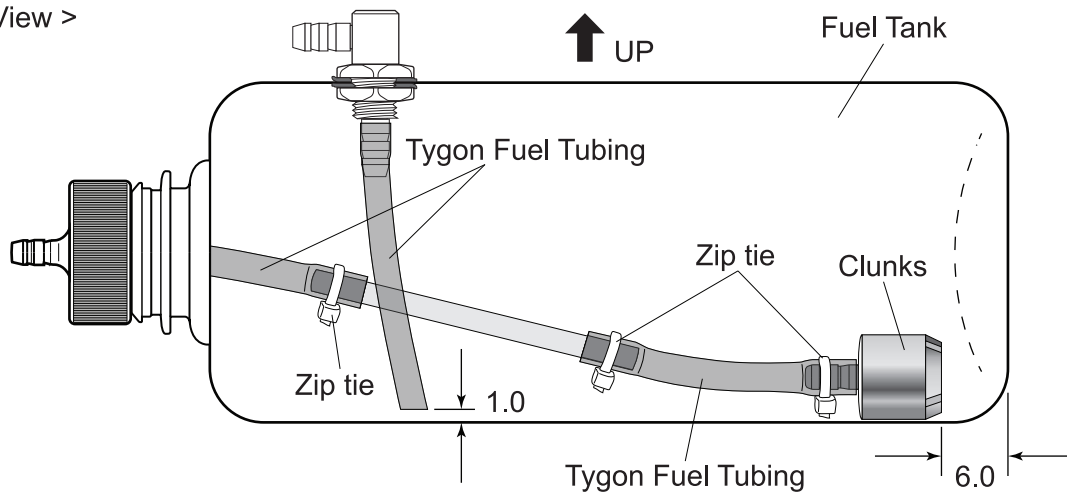
| | |
|-------------------|---|
| Plastic | 1 |
| Zip tie | 3 |
| Brass pipes | 1 |
| Clunks | 1 |
| Tygon Fuel Tubing | 1 |



X Must be purchased separately!



< Front View >



- 1) The stopper has been pre-assembled at the factory.
- 2) Using a modeling knife, cut one length of silicon fuel line (the length of silicon fuel line is calculated by how the weighted clunk should rest about 8mm away from the rear of the tank and move freely inside the tank). Connect one end of the line to the weighted clunk and the other end to the nylon pick up tube in the stopper.
- 3) Carefully bend the second nylon tube up at a 45 degree angle (using a cigarette lighter). This tube will be the vent tube to the muffler.
- 4) Carefully bend the third nylon tube down at a 45 degree angle (using a cigarette lighter). This tube will be vent tube to the fueling valve.



When the stopper assembly is installed in the tank, the top of the vent tube should rest just below the top surface of the tank. It should not touch the top of the tank.



Do not secure the tank into place permanently until after balancing the airplane. You may need to remove the tank to mount the battery in the fuel tank compartment.

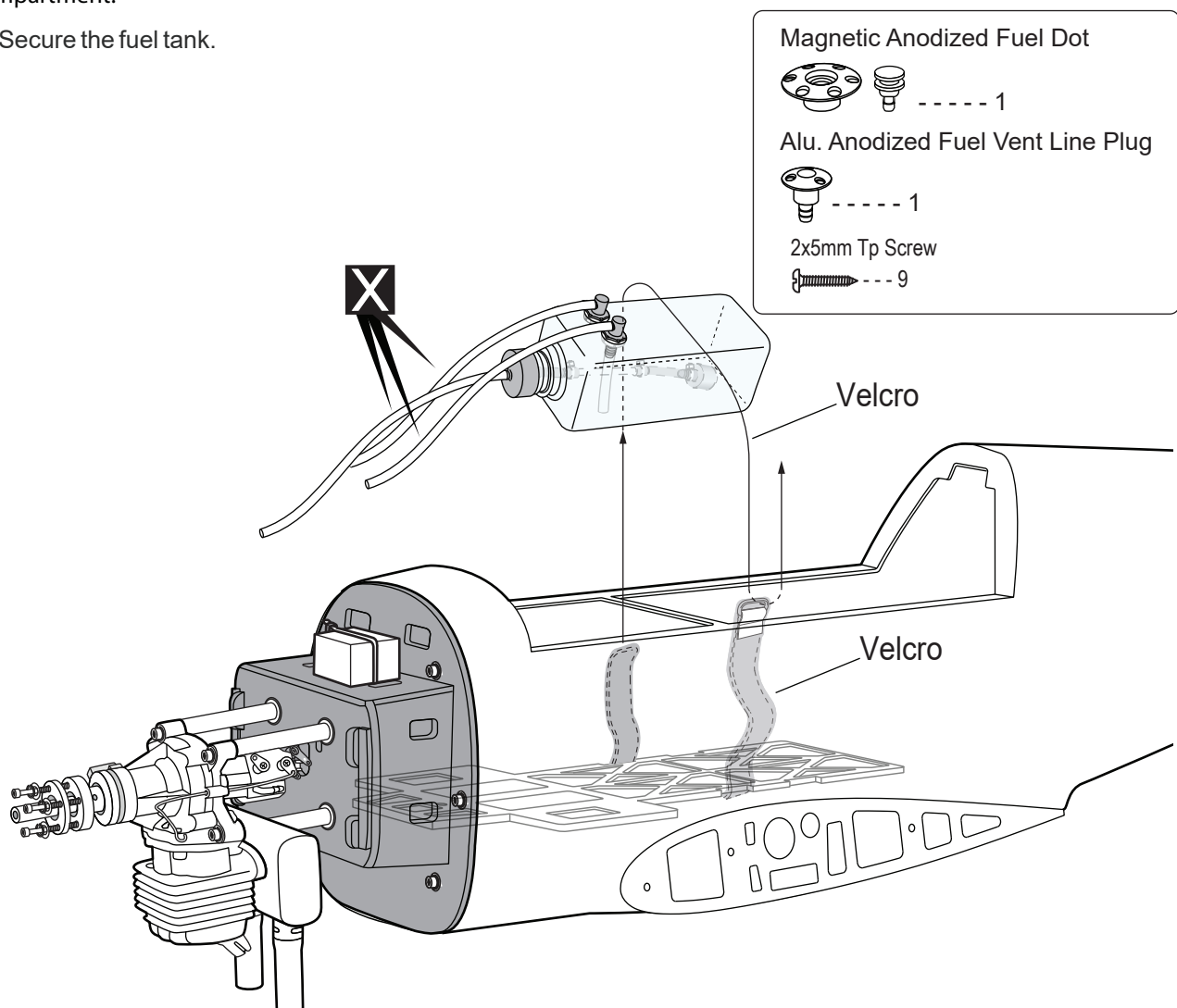
9. Secure the fuel tank.

- 5) Test fit the stopper assembly into the tank. It may be necessary to remove some of the flashing around the tank opening using a modeling knife. If flashing is present, make sure none of it falls into the tank.

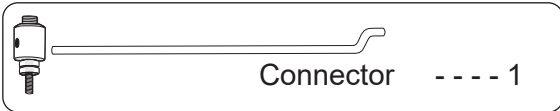
- 6) When satisfied with the alignment of the stopper assembly tighten the 3mm x 20mm machine screw until the rubber stopper expands and seals the tank opening. Do not over tighten the assembly as this could cause the tank to split.

- 7) Using a modeling knife, cut 3 lengths of fuel line. Connect 2 lines to the 2 vent tubes and 1 line to the fuel pickup tube in the stopper.


- 8) Feed three lines through the fuel tank compartment and through the pre-drilled hole in the firewall. Pull the lines out from behind the engine, while guiding the fuel tank into place. Push the fuel tank as far forward as possible, the front of the tank should just about touch the back of the firewall. Blow through one of the lines to ensure the fuel lines have not become kinked inside the fuel tank compartment. Air should flow through easily.



INSTALLING THE THROTTLE



1) Install one adjustable metal connector through the third hole out from the center of one servo arm, enlarge the hole in the servo arm using a 2mm drill bit to accommodate the servo connector. Remove the excess material from the arm.

 After installing the adjustable metal connector apply a small drop of thin C/A to the bottom nut. This will prevent the connector from loosening during flight.

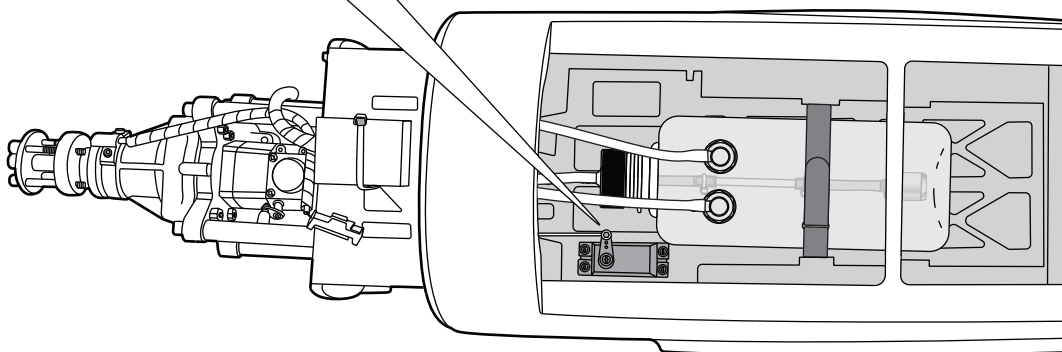
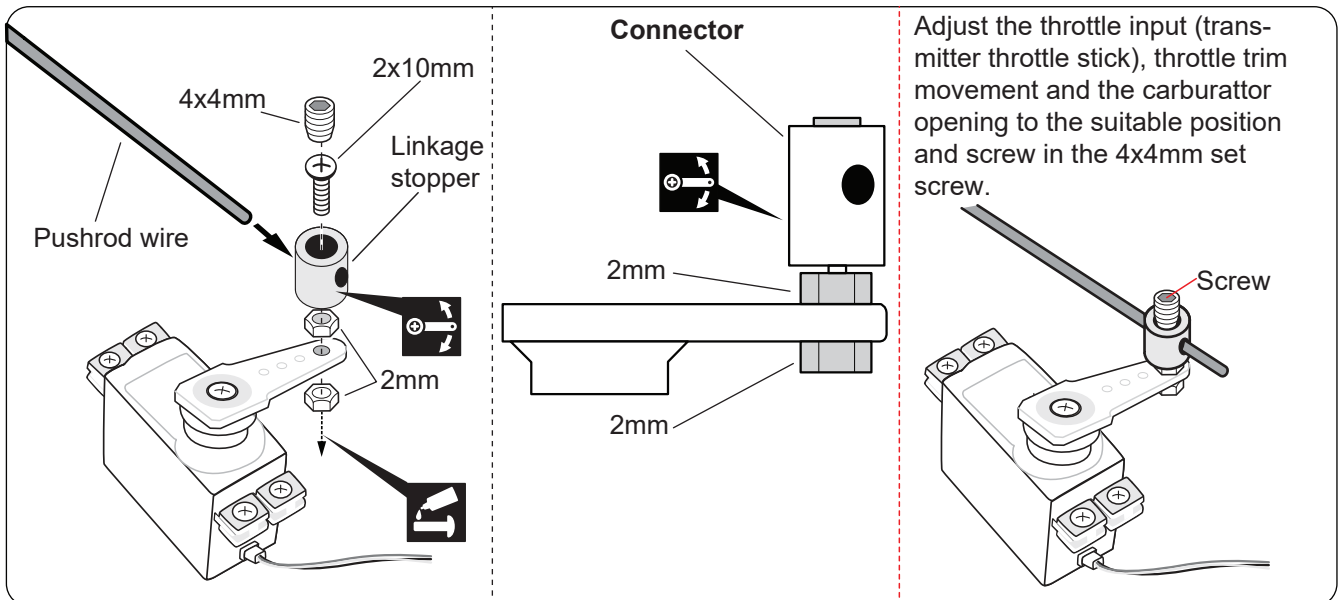
2) Plug the throttle servo into the receiver and turn on the radio system. Check to ensure that the throttle servo output shaft is moving in the correct

direction. When the throttle stick is moved forward from idle to full throttle, the throttle barrel should also open and close using this motion. If not, reverse the direction of the servo, using the transmitter.

3) Slide the adjustable metal connector / servo arm assembly over the plain end of the pushrod wire. Position the throttle stick and the throttle trim at their lowest positions.

4) Manually push the carburetor barrel fully closed. Angle the arm back about 45 degree from center and attach the servo arm onto the servo. With the carburetor barrel fully closed, tighte the set screw in the adjustable metal connector.

5) Remove the excess throttle pushrod wire using wire cutters and install the servo arm retaining screw.



MOUNTING THE COWL

Plastic

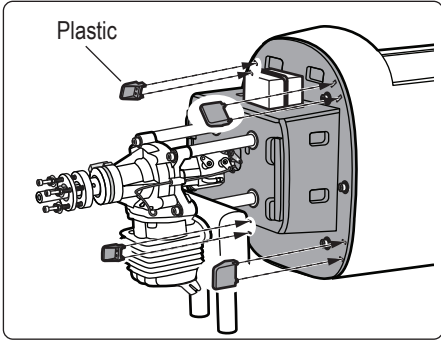
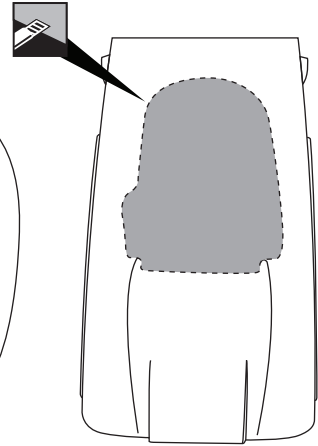
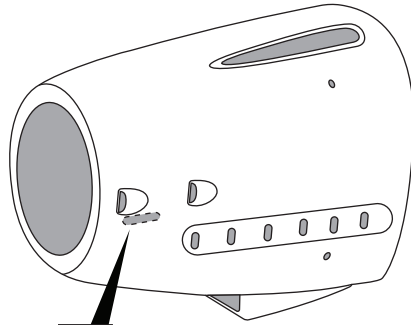
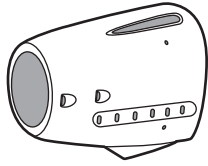


--- 4

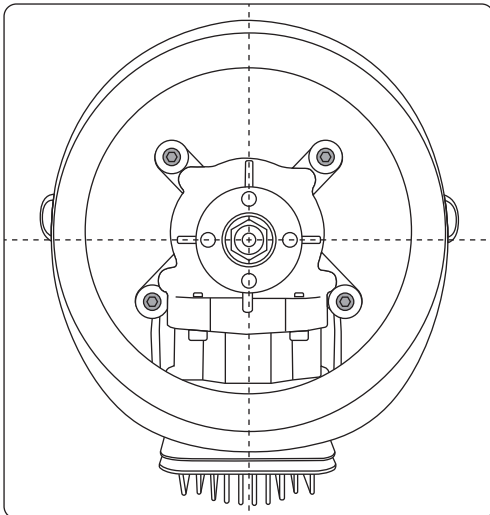
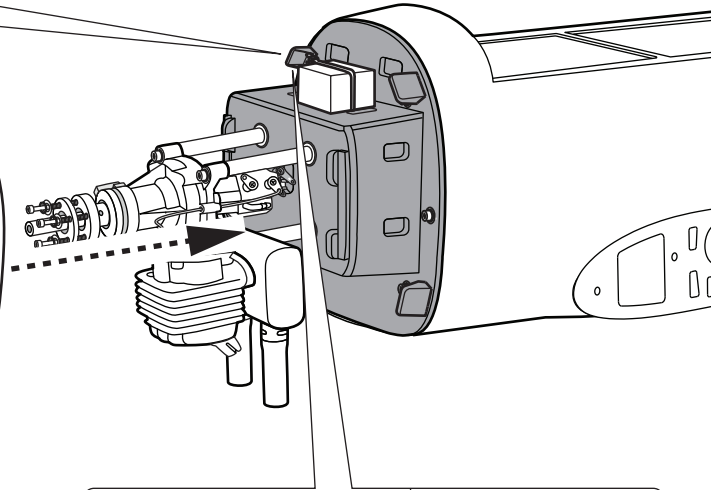
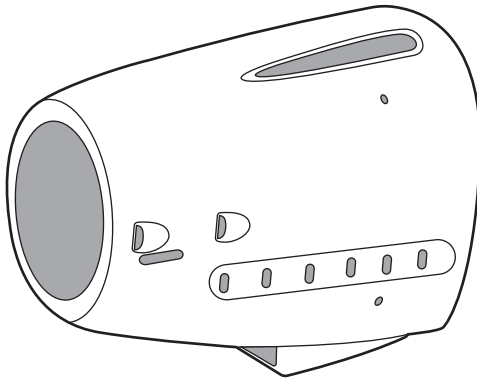
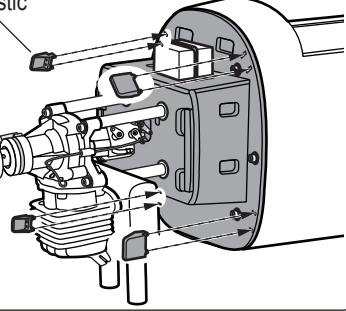
3x12mm Tp Screw



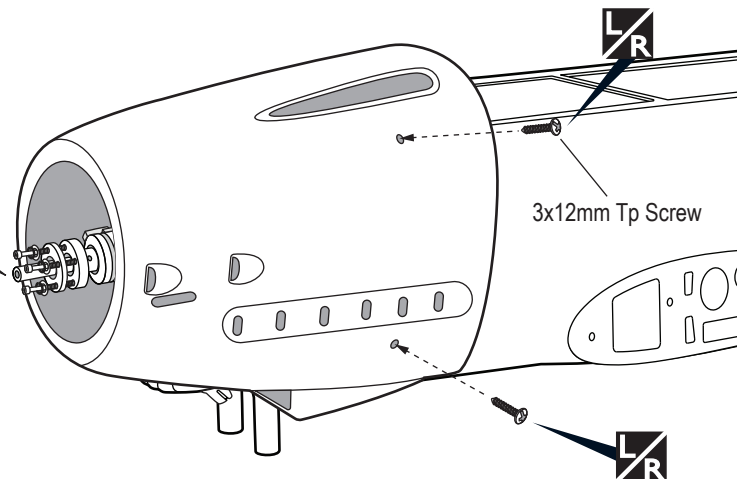
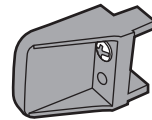
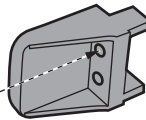
--- 8



Plastic



3x12mm
Tp Screw



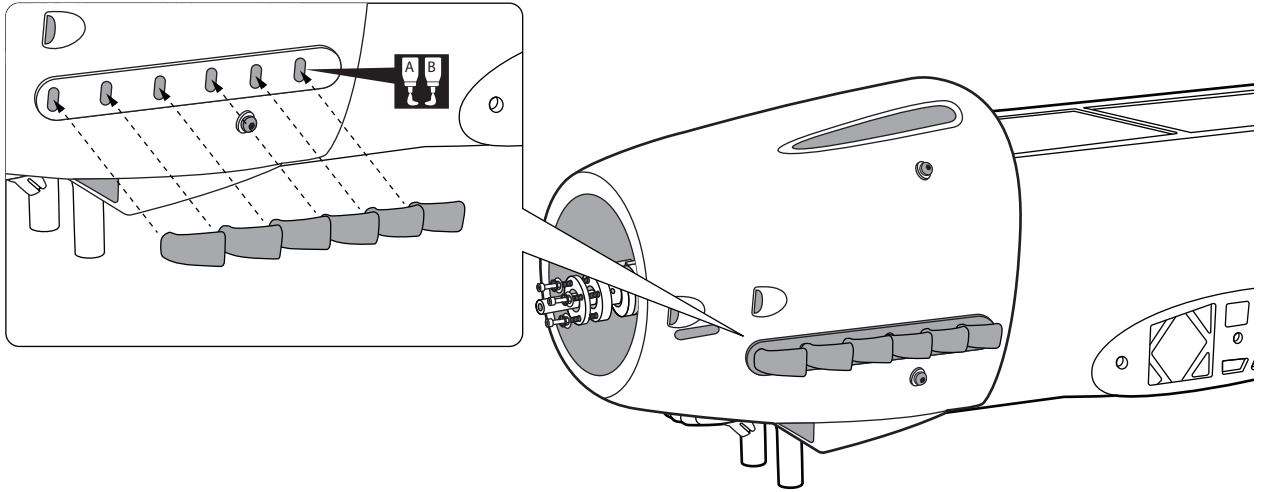
3x12mm Tp Screw



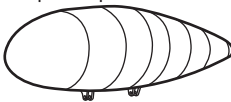


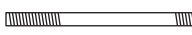

Assemble left and right sides the same way.




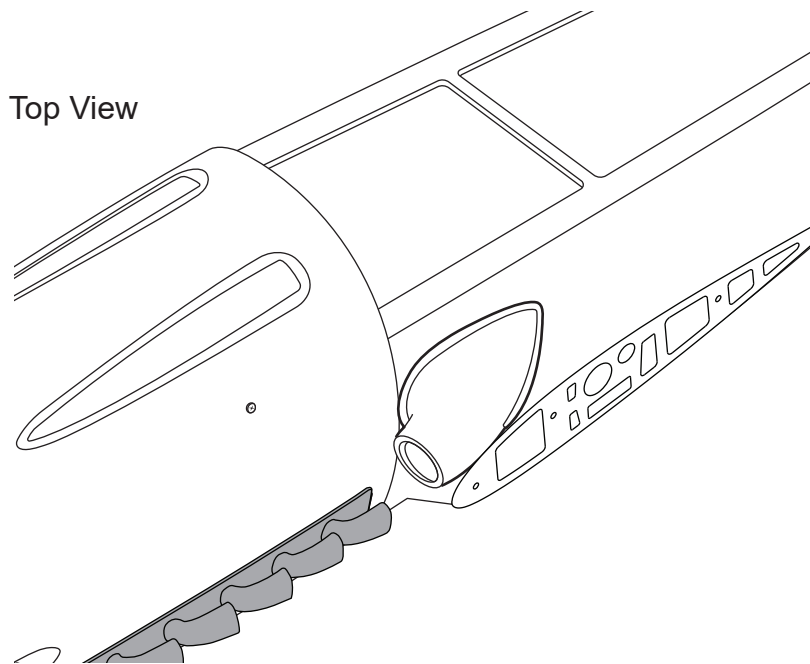
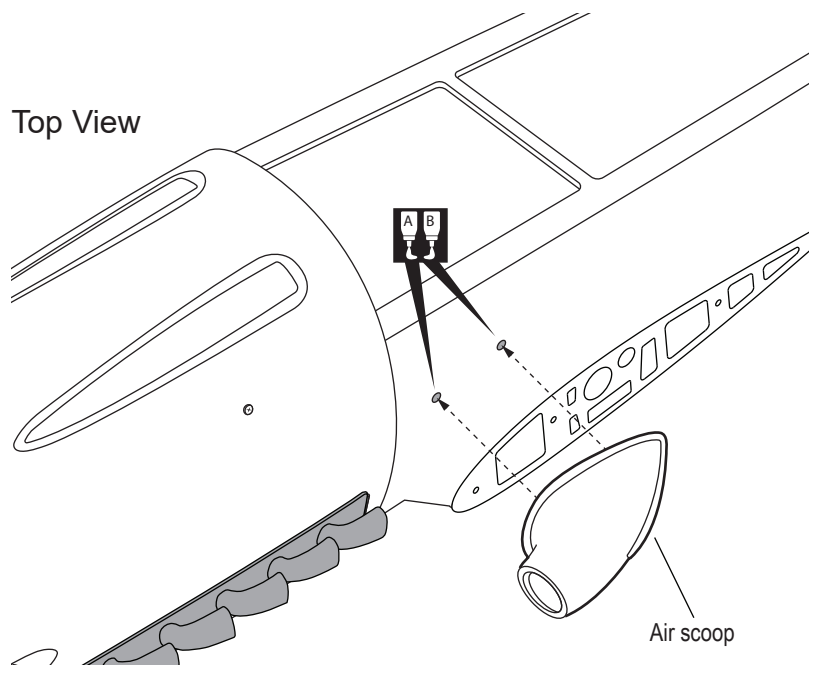
Cut off shaded portion carefully.

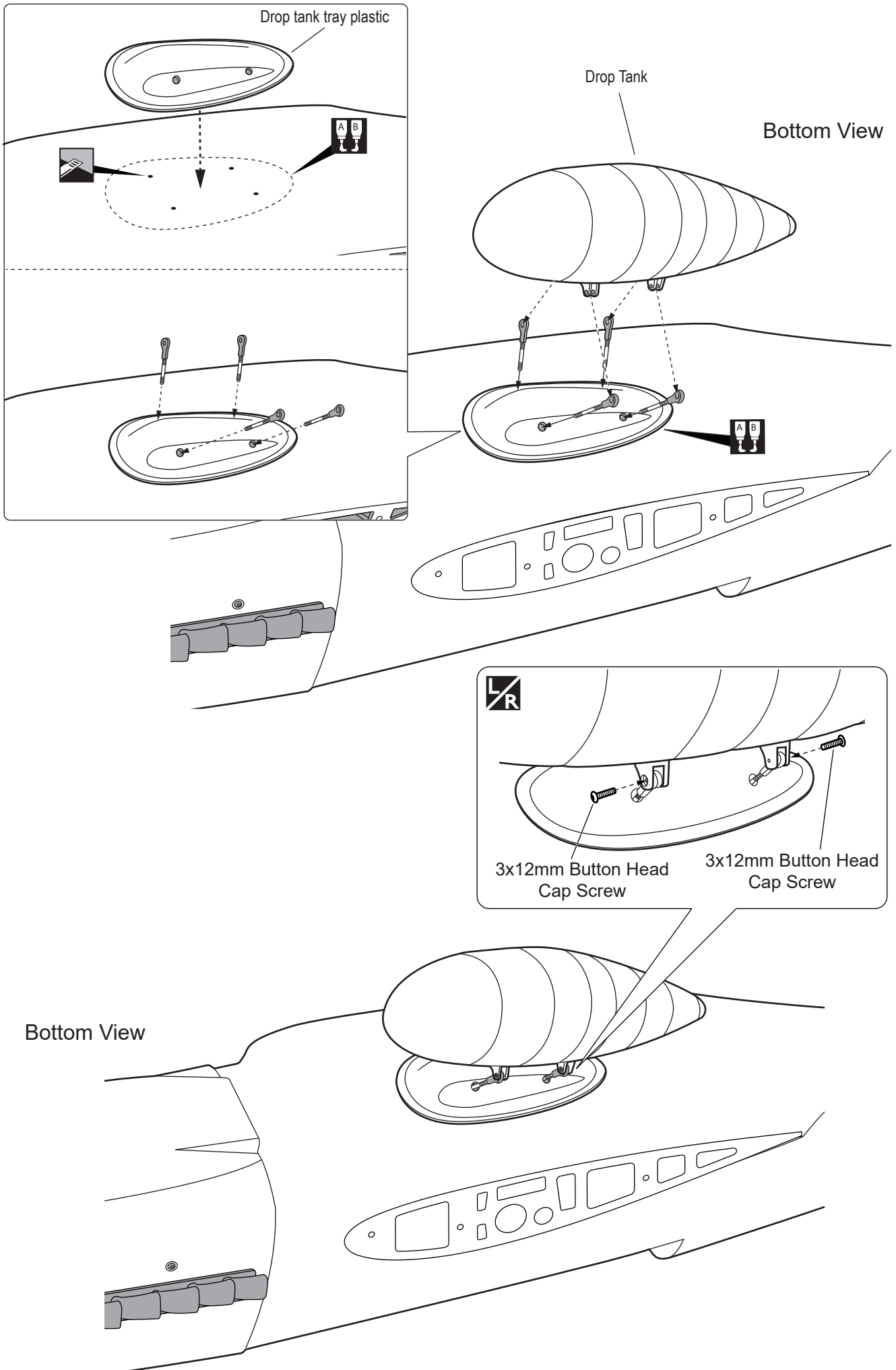


INSTALLING THE PLASTIC FUSELAGE

- Drop tank plastic
 ----- 1
- Drop tank tray plastic
 ----- 1
- 3x12mm Button Head Cap Screw
 ----- 4
- 2.6x45mm Push rod
 ----- 4
- Ball link
 ----- 4

- Air scoop plastic
 ----- 1






INSTALLING THE SWITCH, RECEIVER AND BATTERY

1) Plug the servo leads and the switch lead into the receiver. You may want to plug an aileron extension into the receiver to make plugging in the aileron servo lead easier when you are installing the wing. Plug the battery pack lead into the switch.

2) Wrap the receiver and battery pack in the protective foam to protect them from vibration. Use a rubber band or masking tape to hold the foam in place.

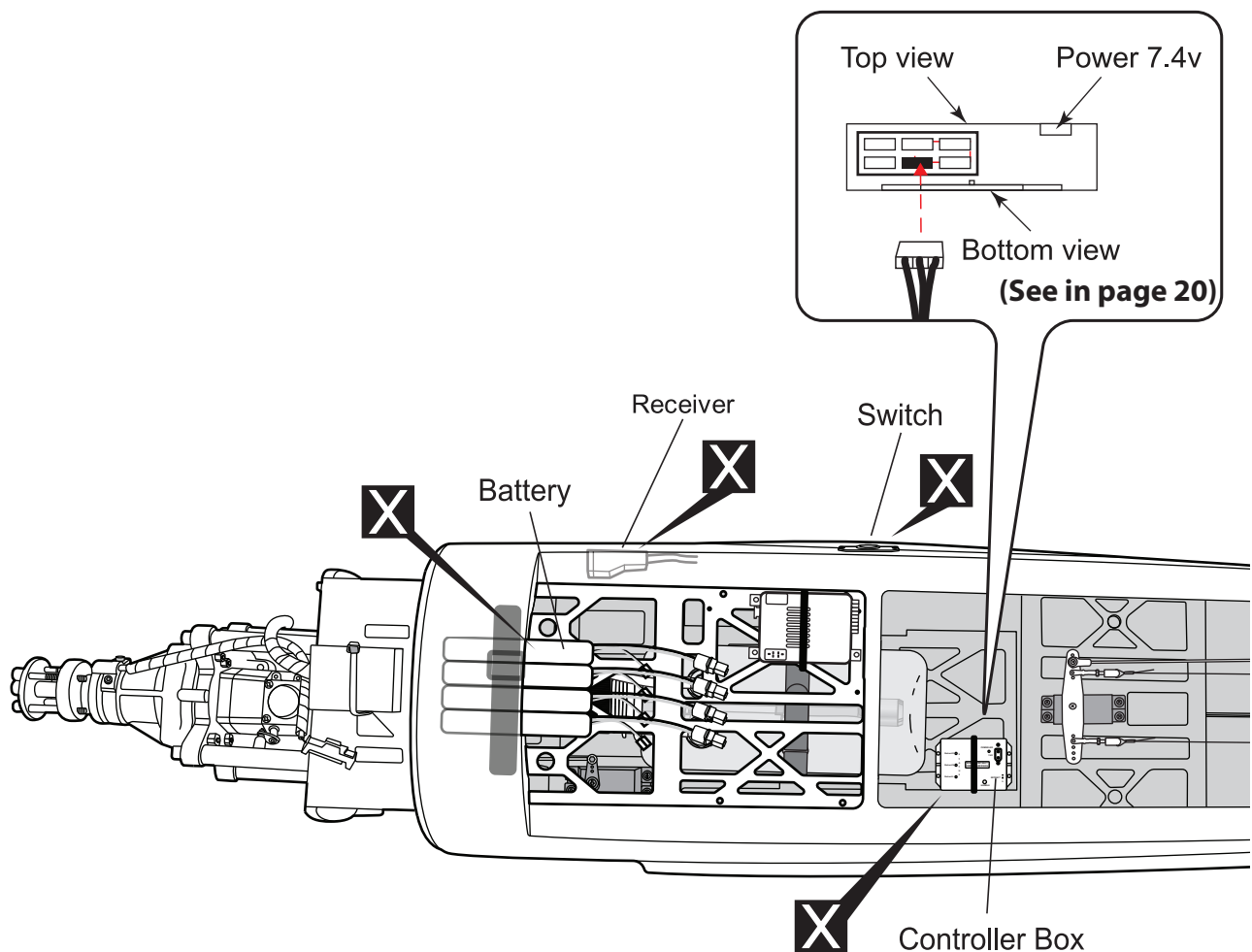
 Do not permanently secure the receiver and battery until after balancing the model.

INSTALLING THE SWITCH

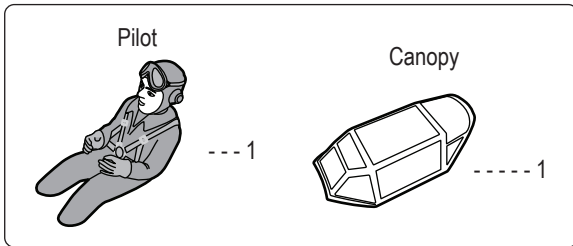
1) The switch should be mounted on the fuselage side, opposite the muffler, close enough to the receiver so the lead will reach. Use the face plate of the switch cut out and locate the mounting holes.

2) Cut out the switch hole using a modeling knife. Use a 2mm drill bit and drill out the two mounting holes through the fuselage side.

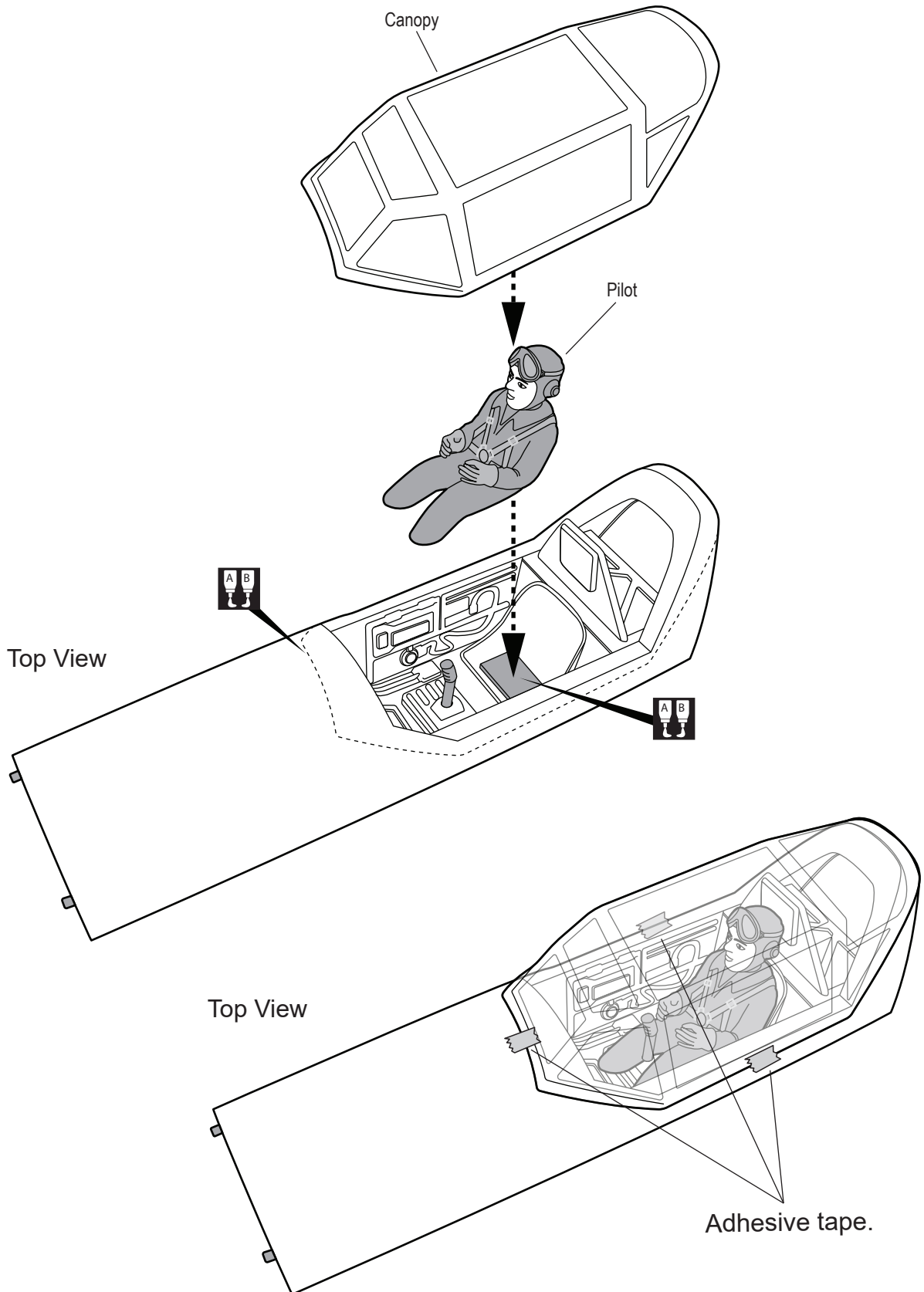
3) Secure the switch in place using the two machine screws provided with the radio system.

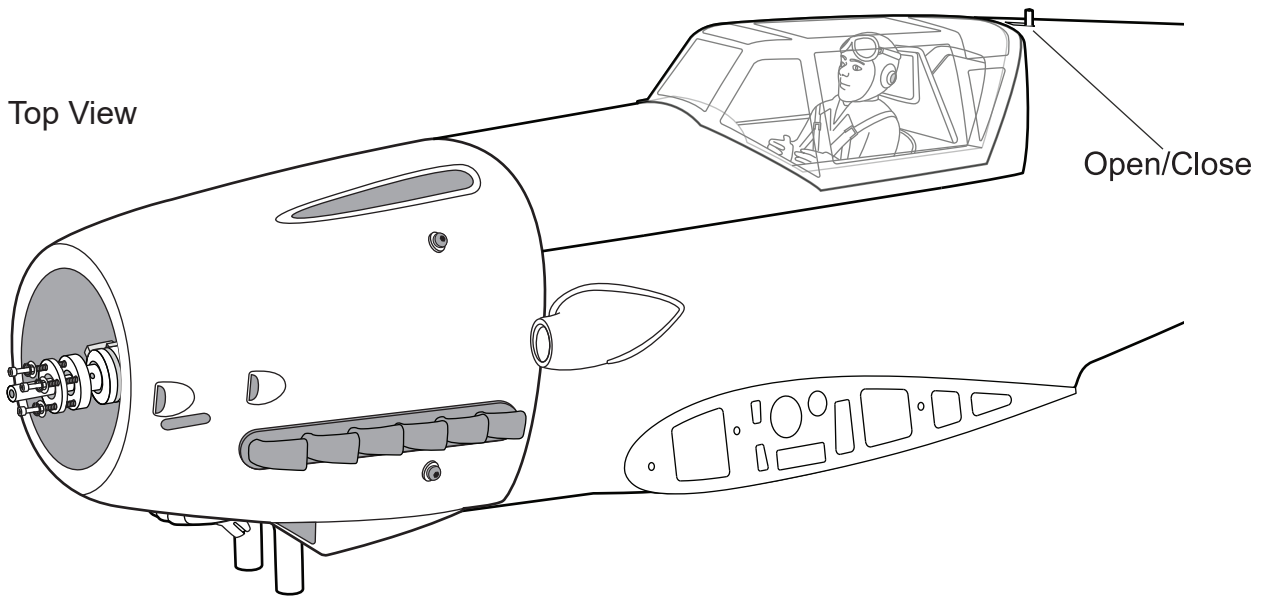
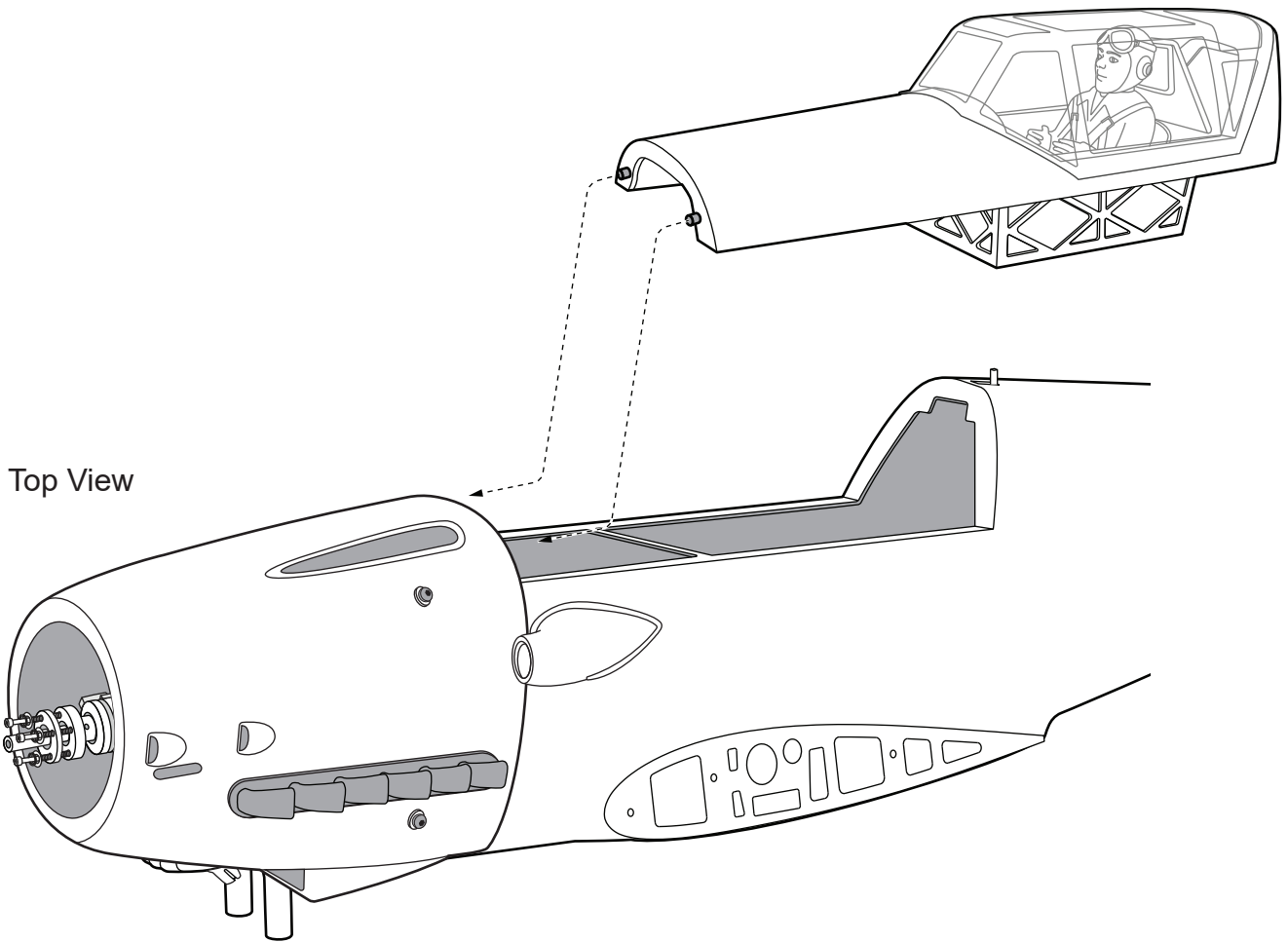


INSTALLING THE CANOPY AND PILOT



Position the canopy so the rear frame on the canopy is aligned with the rear edge of the cockpit opening. Use canopy glue to secure the canopy to the canopy hatch. Use low-tack tape to hold the canopy in position until the glue fully cures. Wrap the tape completely around the canopy hatch.



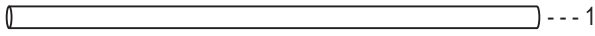


INSTALLING THE WING TO THE FUSELAGE

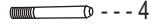
Ø32x610mm Aluminium wing tube.



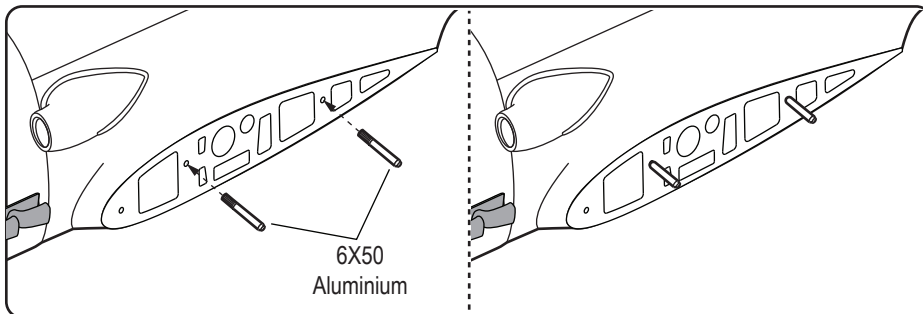
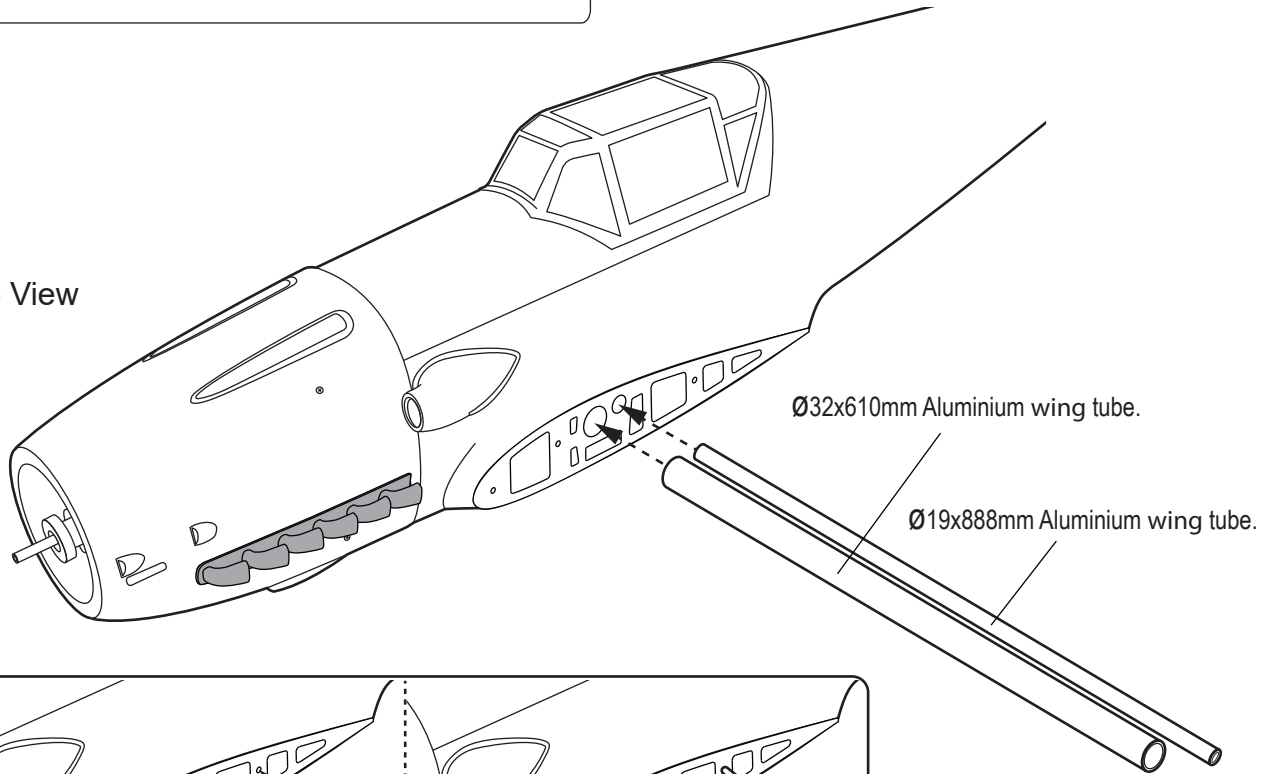
Ø19x888mm Aluminium wing tube.



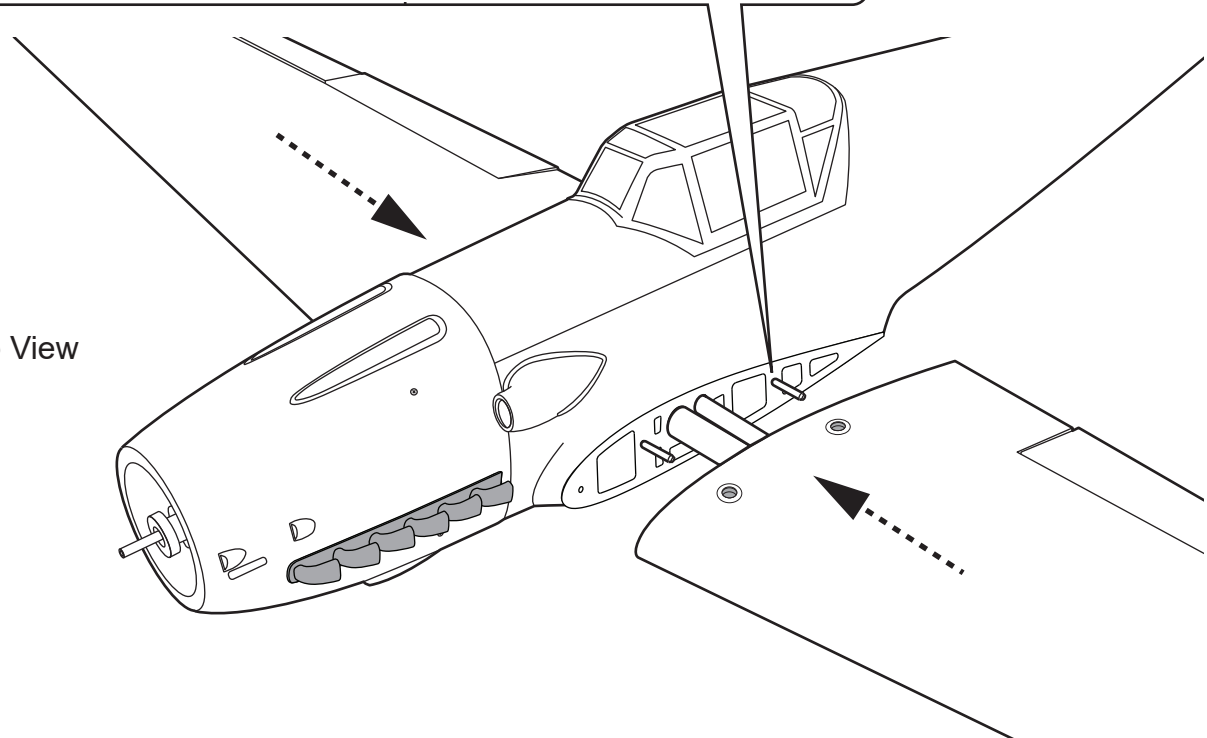
6X50 Aluminium



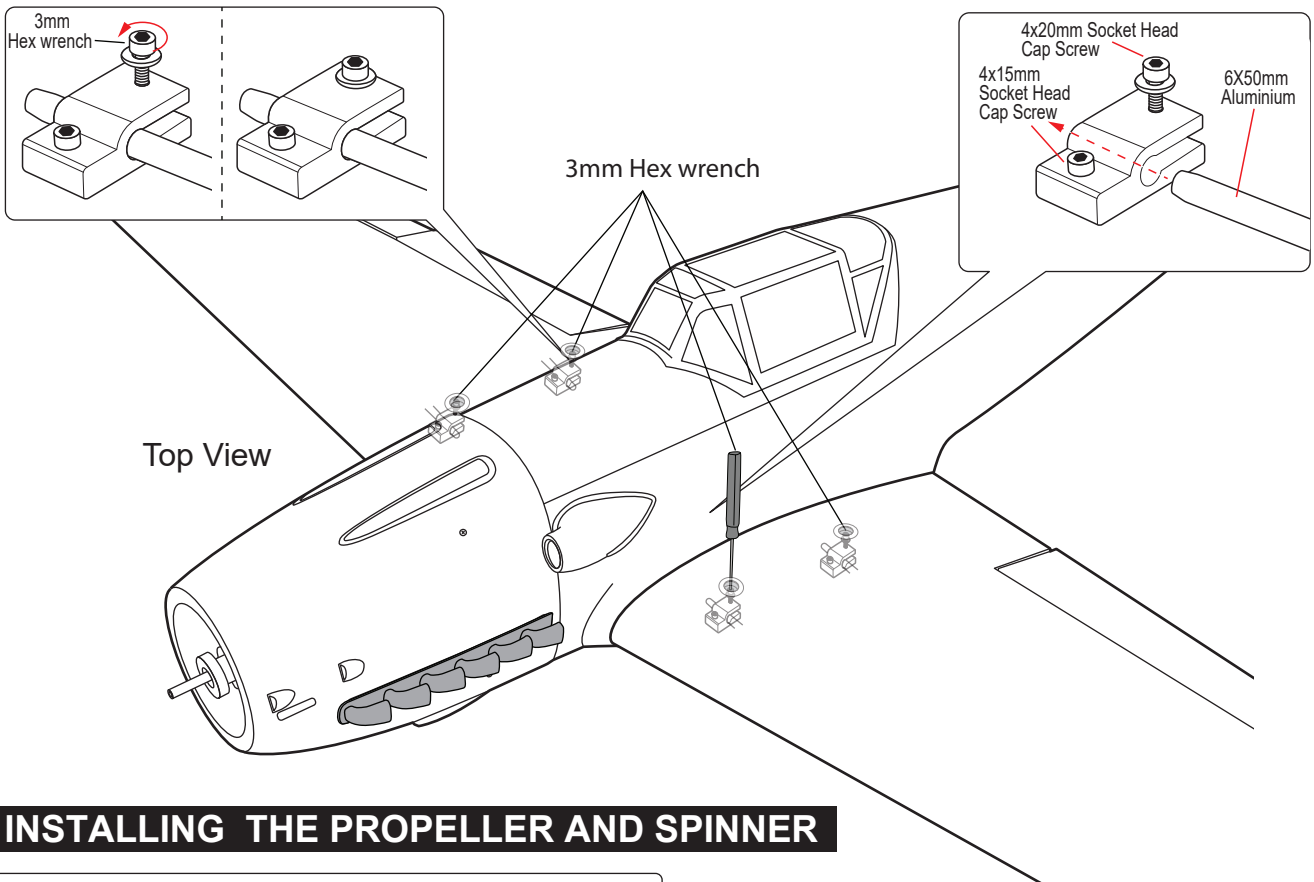
Top View



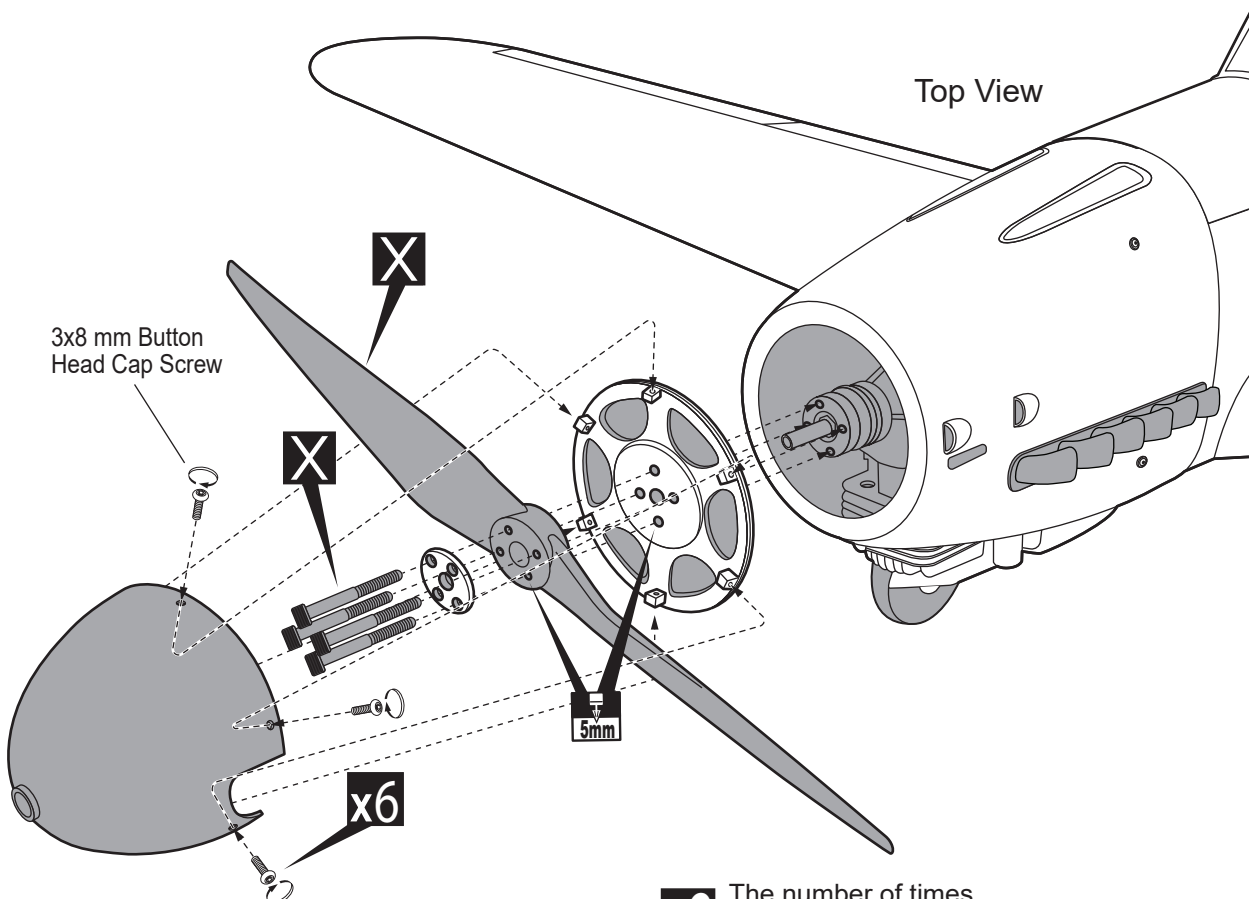
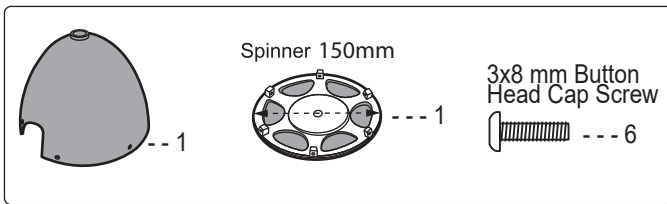
Top View



Main wing must be inserted and attached completely before fixing with screw.



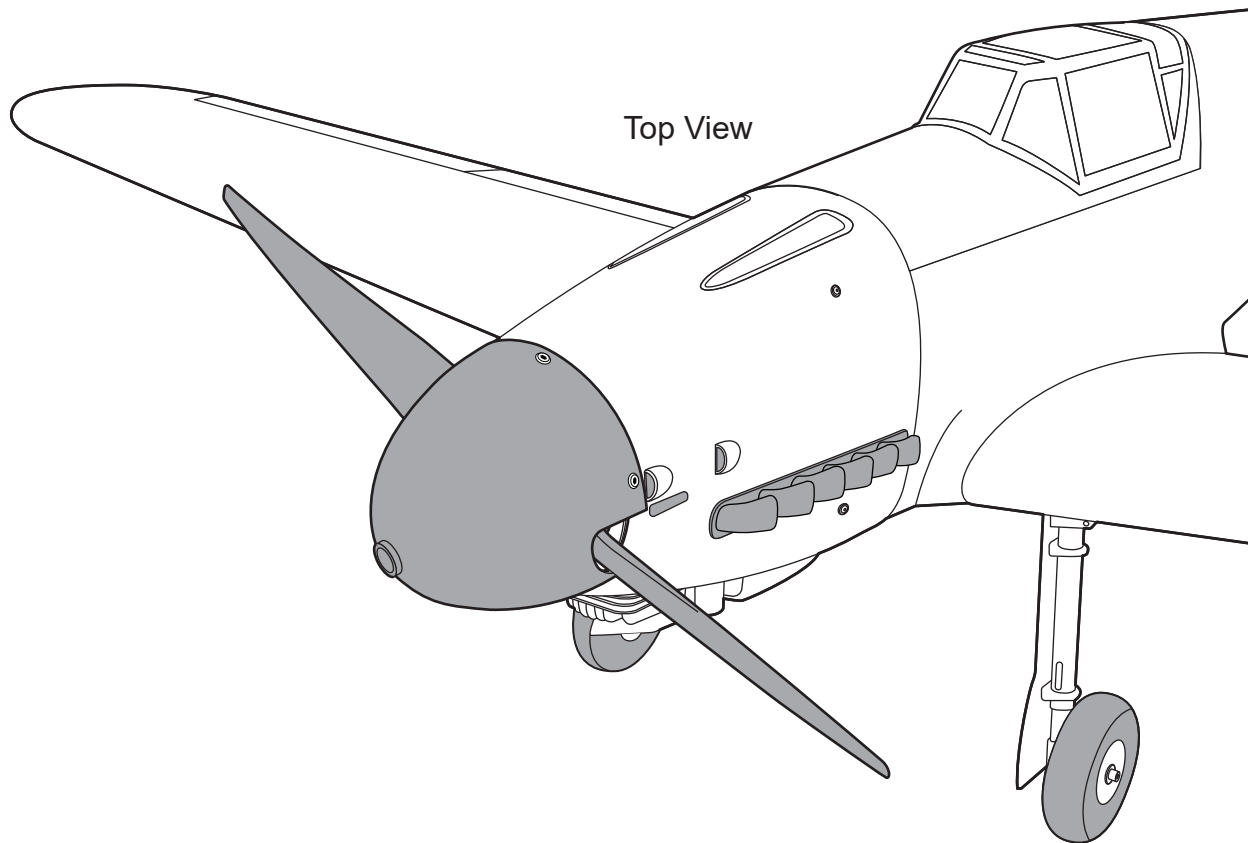
INSTALLING THE PROPELLER AND SPINNER



5mm Drill holes using the stated (in this case 5mm ø).



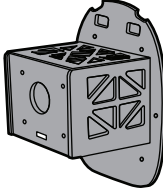
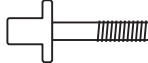




X Must be purchased separately!

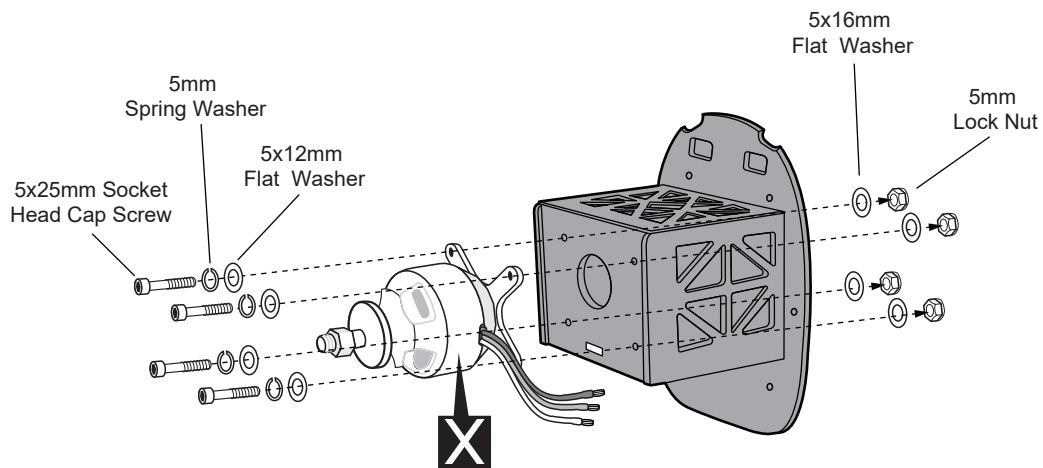
x6 The number of times the same way Assembly (in this case six times).

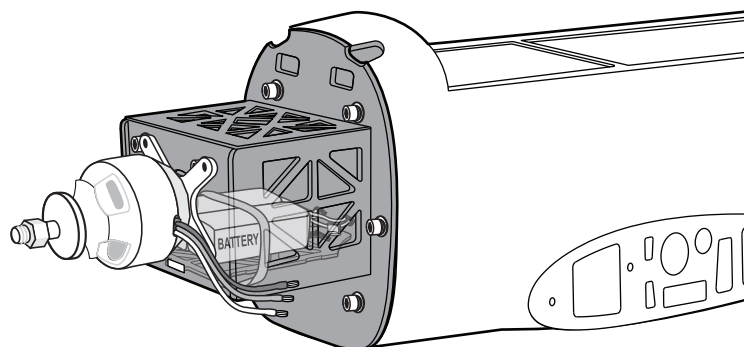
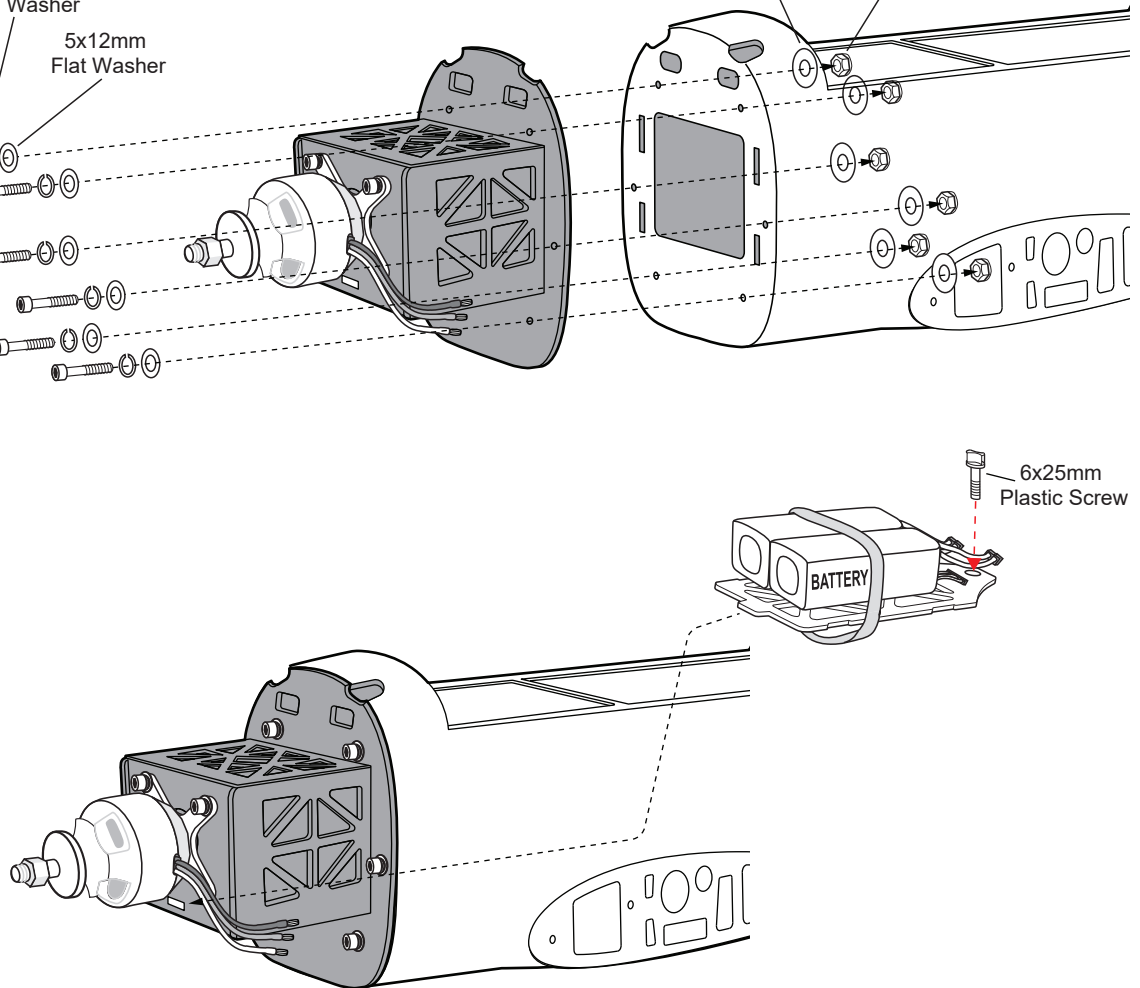
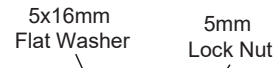
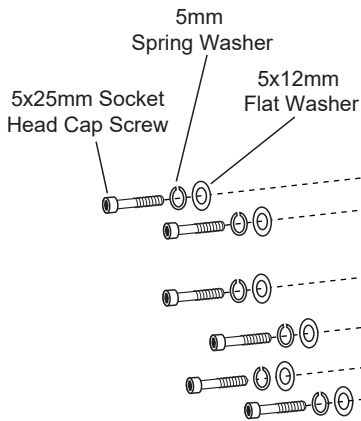
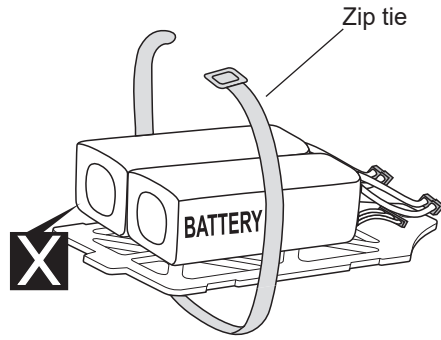


INSTALLING THE ELECTRIC MOTOR

INSTALLING THE ELECTRIC MOTOR (EP VERSION)

| | | | | |
|--|--|---|---|--|
| <p>5x25mm Socket Head Cap Screw</p>  <p>--- 4</p> | <p>5x16mm Flat Washer</p>  <p>--- 4</p> | <p>Motor Mount</p>  <p>--- 1</p> | <p>6x25mm Plastic Screw</p>  <p>--- 1</p> | <p>5x12mm Flat washer</p>  <p>--- 4</p> |
| <p>5mm Spring Washer</p>  <p>--- 4</p> | <p>5mm Lock Nut</p>  <p>--- 4</p> | | <p>Battery Tray</p>  <p>--- 1</p> | |





BALANCING

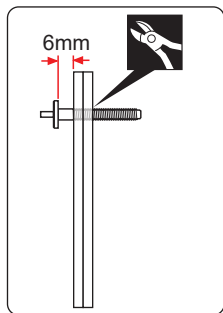
1) It is critical that your airplane be balanced correctly. Improper balance will cause your plane to lose control and crash.

THE CENTER OF GRAVITY IS LOCATED 126MM BACK FROM THE LEADING EDGE OF THE WING. AT THE FUSELAGE. BALANCE A PLANE UPSIDE DOWN WITH THE FUEL TANK EMPTY.

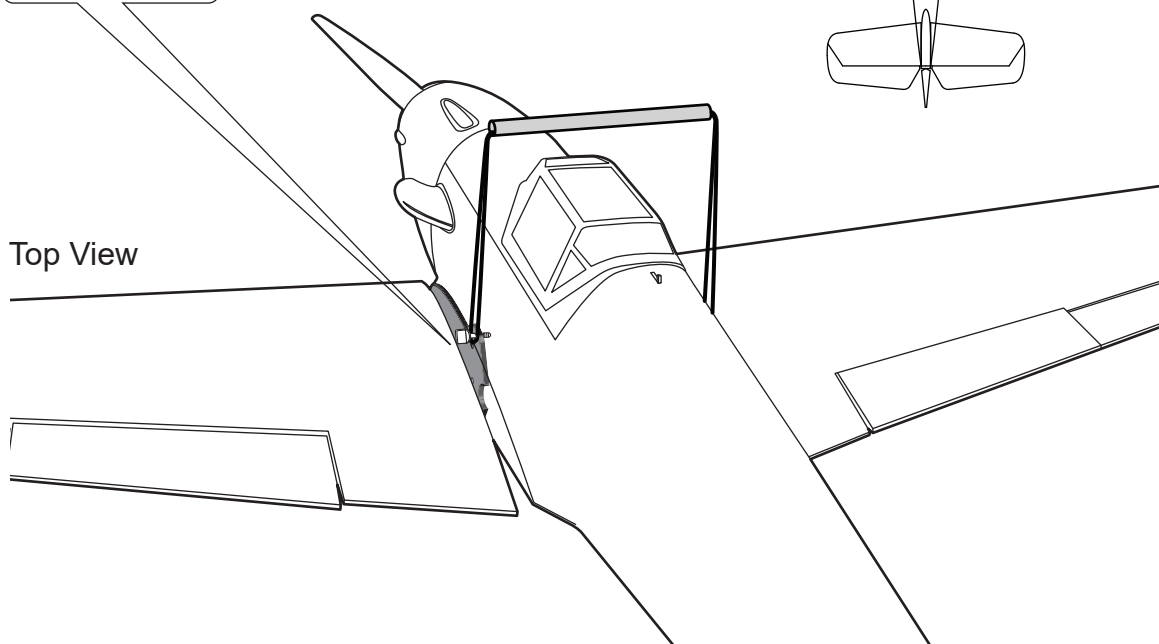
2) Mount the wing to the fuselage. Using a couple of pieces of masking tape, place them on the top side of the wing 126mm back from the leading edge, at the fuselage sides.

3) Turn the airplane upside down. Place your fingers on the masking tape and carefully lift the plane.

4) If the nose of the plane falls, the plane is nose heavy. To correct this first move the battery pack further back in the fuselage. If this is not possible or does not correct it, stick small amounts of lead weight on the fuselage under the horizontal stabilizer. If the tail of the plane falls, the plane is tail heavy. To correct this, move the battery and receiver forward or if this is not possible, stick weight into the firewall. When balanced correctly, the airplane should sit level or slightly nose down when you lift it up with your fingers.



Top View

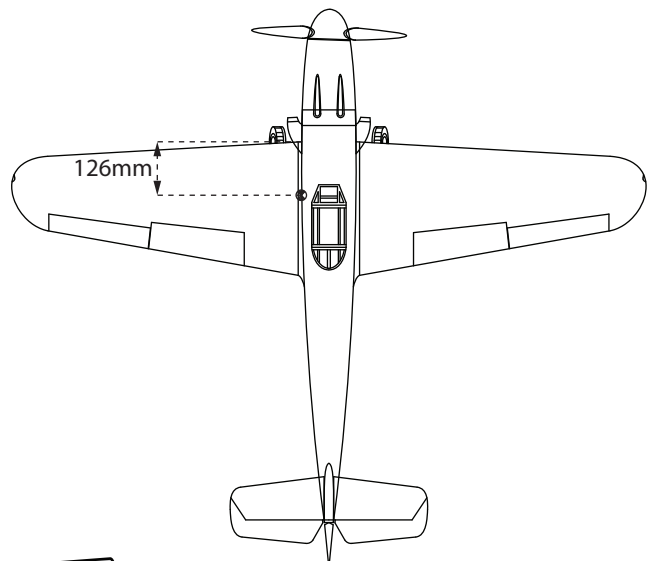
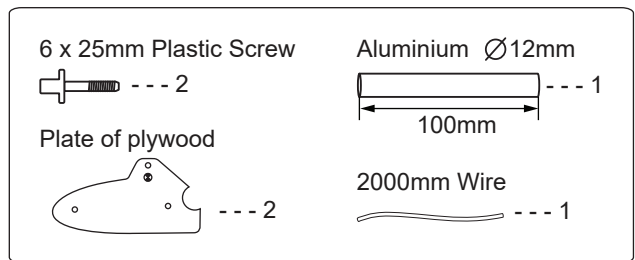


LATERAL BALANCE

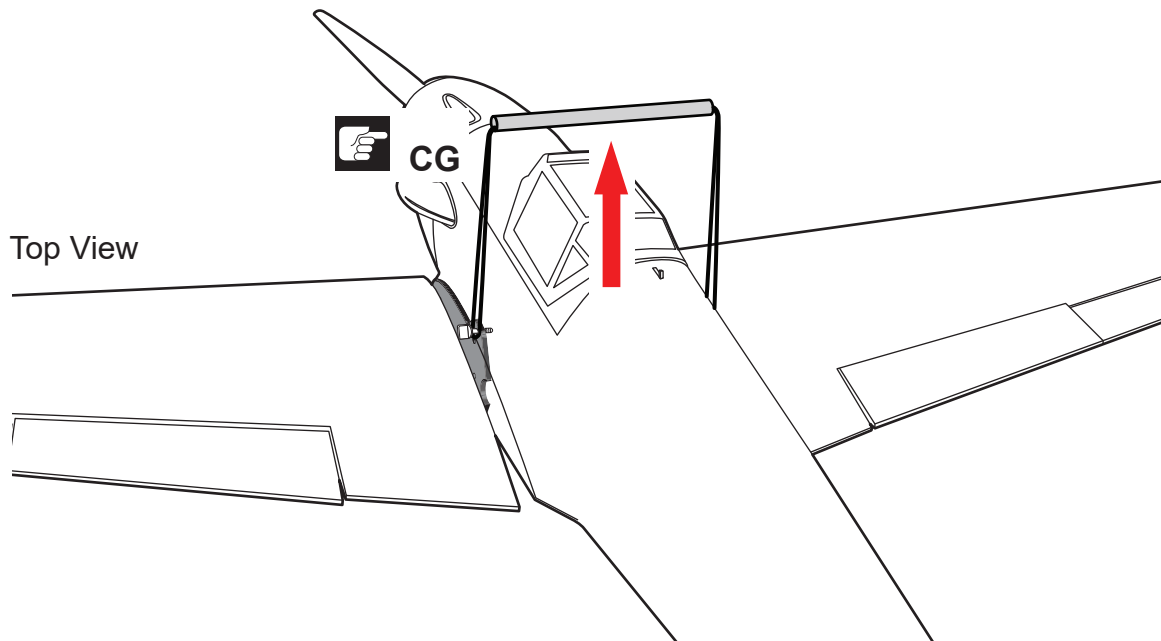


After you have balanced a plane on the C.G. You should laterally balance it. Doing this will help the airplane track straighter.

1. Turn the airplane upside down. Attach one loop of heavy string to the engine crankshaft and one to the tail wheel wire. With the wings level, carefully lift the airplane by the string. This may require two people to make it easier.
2. If one side of the wing fall, that side is heavier than the opposite. Add small amounts of lead weight to the bottom side of the lighter wing half's wing tip. Follow this procedure until the wing stays level when you lift the airplane.



- ▶ In order to obtain the CG specified, reposition the receiver and other equipment.
- ▶ If not obtain the CG specified, add a weight and adjust.



Warning!

- ▶ Do not fly before confirming the correct location of the CG. If the CG is incorrect, you lose control of your airplane which leads to accidents.

CONTROL THROWS

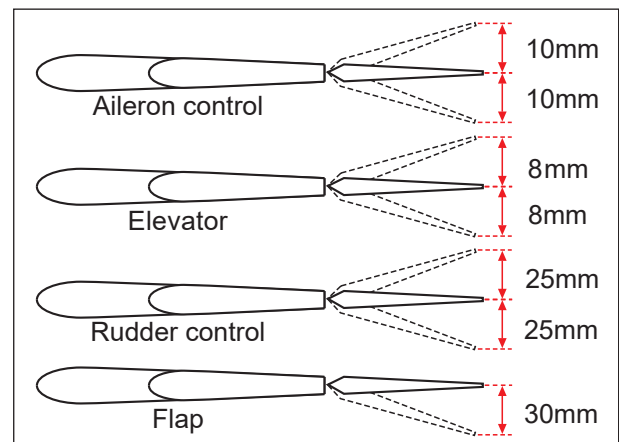
- 1) We highly recommend setting up a plane using the control throws listed.
- 2) The control throws should be measured at the widest point of each control surface.
- 3) Check to be sure the control surfaces move in the correct directions.

Low rate:

- Aileron: 10 mm up 10 mm down
- Elevator: 8 mm up 8 mm down
- Rudder: 25mm right 25 mm left
- Flap: 30 mm down for take off

High rate:

- Aileron: 14 mm up 14 mm down
- Elevator: 12 mm up 12 mm down
- Rudder: 35 mm right 35mm left
- Flap: 40 mm down for landing

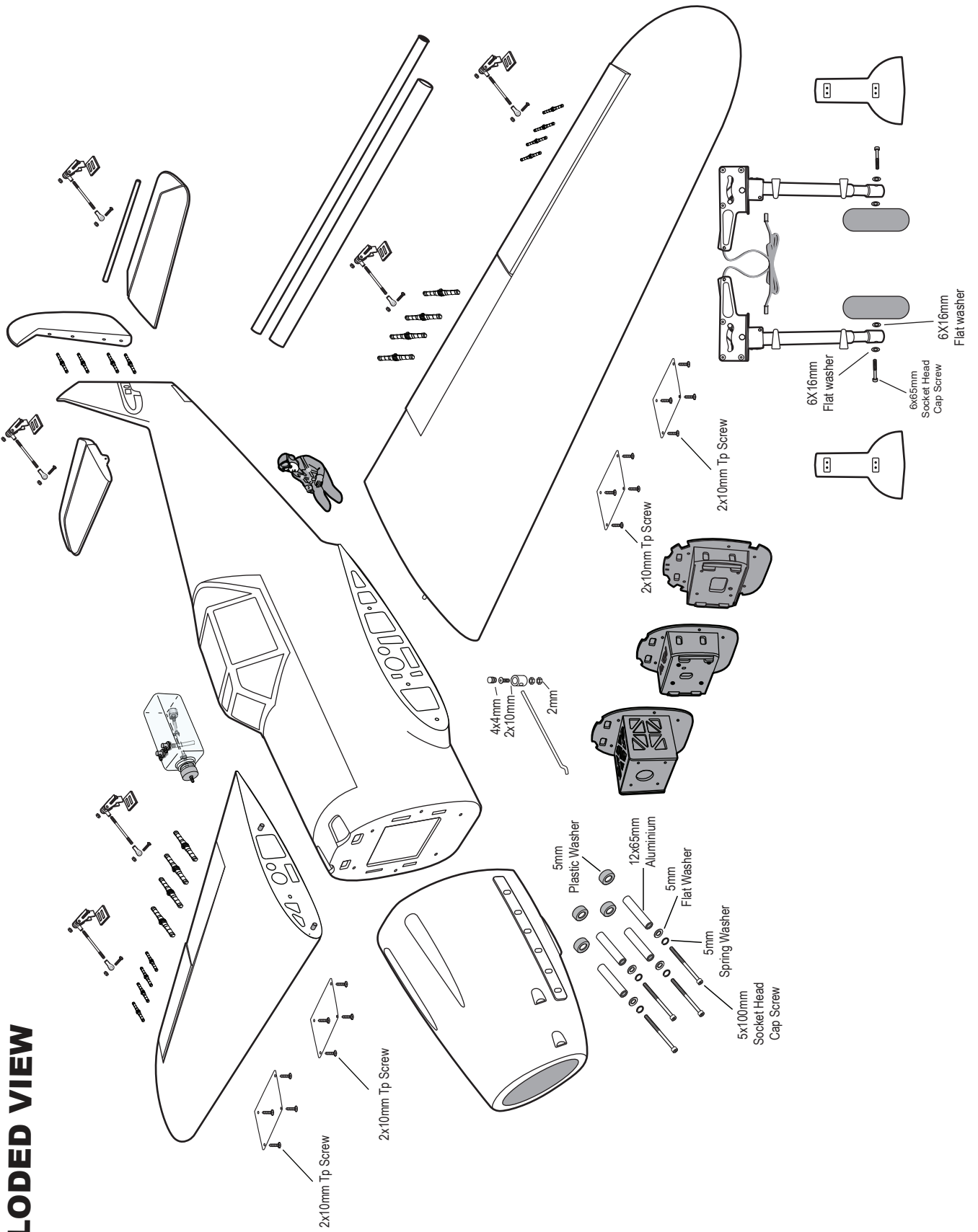


PRE-FLIGHT CHECK

- 1) Completely charge your transmitter and receiver batteries before your first day of flying.
- 2) Check every bolt and every glue joint in your plane to ensure that everything is tight and well bonded.
- 3) Double check the balance of the airplane.
- 4) Check the control surface.
- 5) Check the receiver antenna. It should be fully extended and not coiled up inside the fuselage.
- 6) Properly balance the propeller.



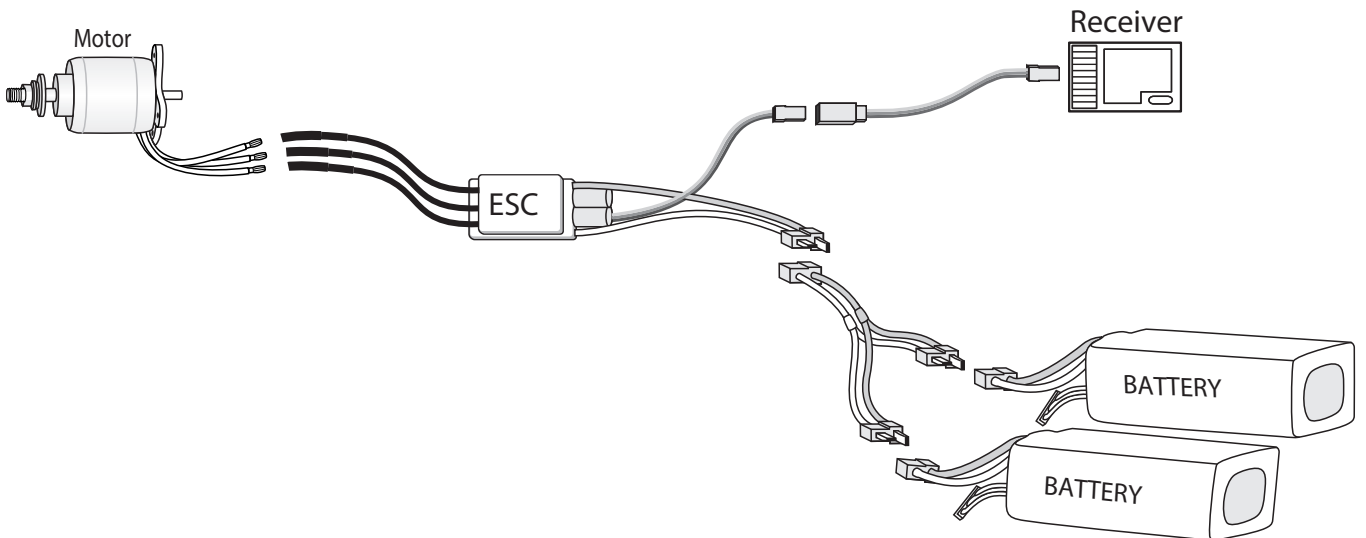
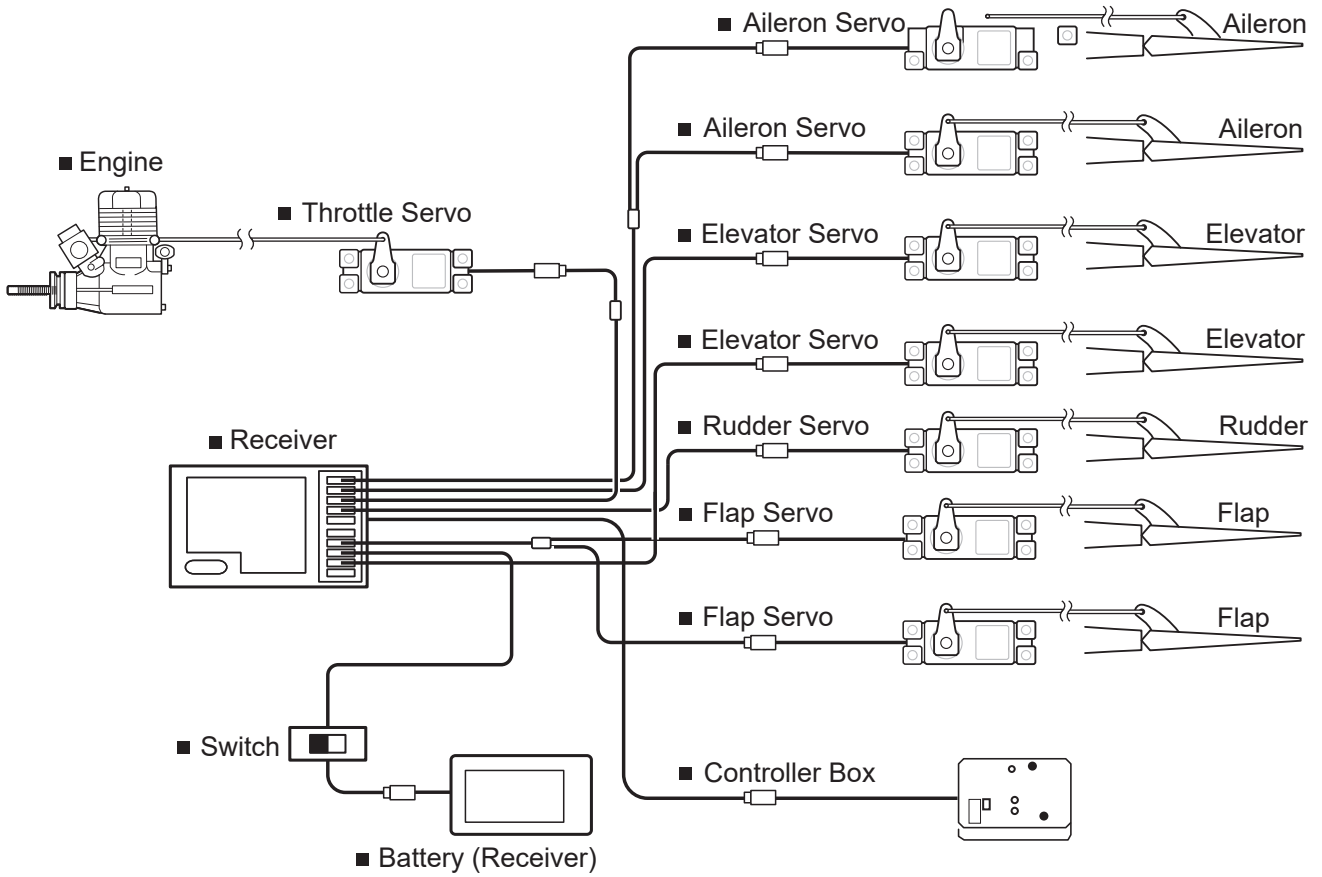
Pay close attention here.



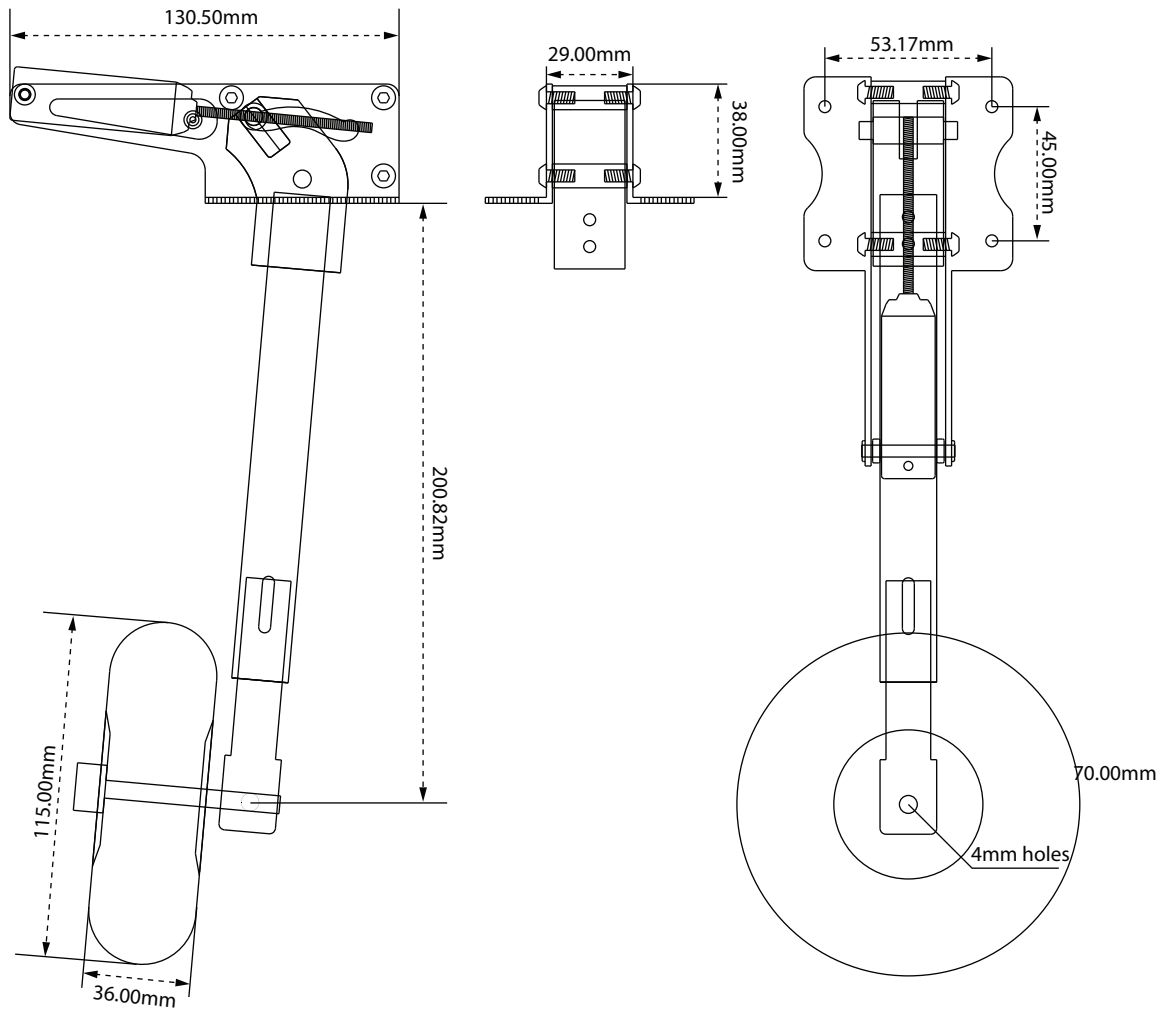
FOR YOUR RADIO INSTALLATION BASIC CONNECTION FOR AIRPLANE AND ADJUSTMENT OF SERVOS

Example of connection

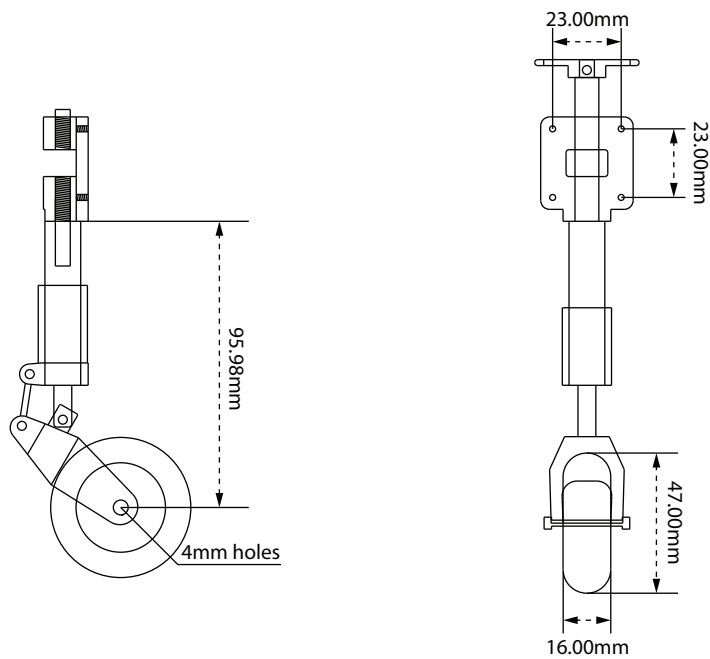
- For more information, refer to radio system instruction manual.
- Follow instruction manual of Engine and Battery.



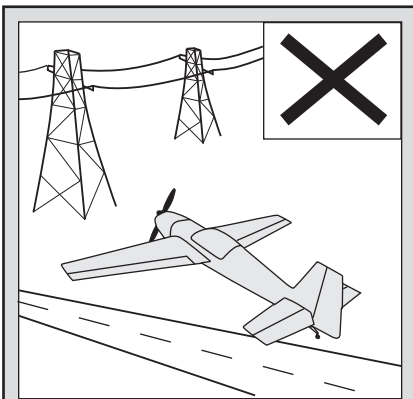
MAIN GEAR DIMENSIONAL DETAIL



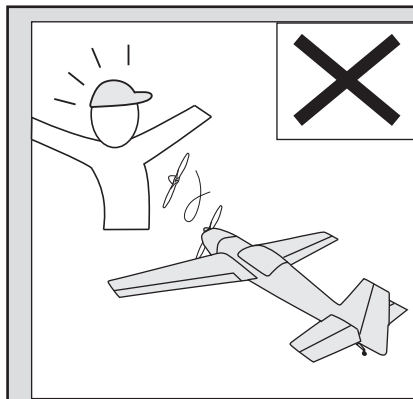
TAIL GEAR DIMENSIONAL DETAIL



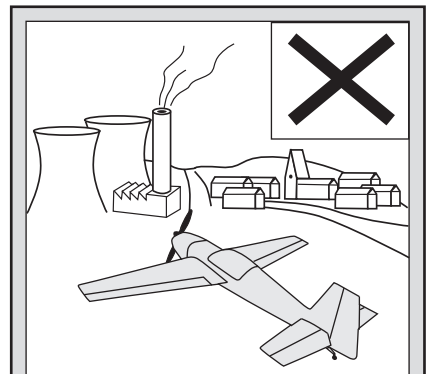
I/C FLYING WARNINGS



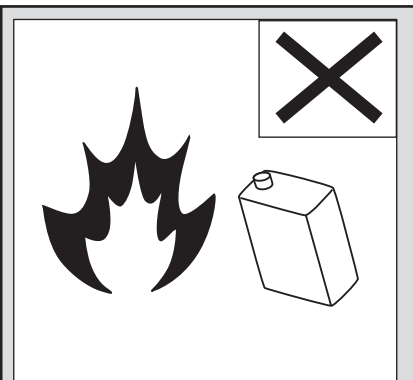
NEVER fly near power lines, aerials or other dangerous areas including airports, motorways etc.



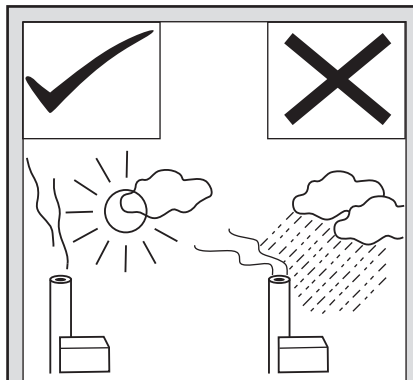
ALWAYS adjust the engine from behind the propeller, and do not allow any part of your body to be in line with the propeller.



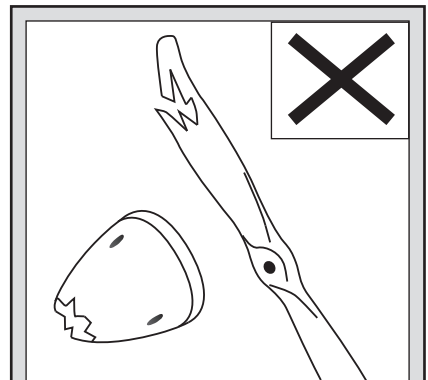
Always operate in open areas, away from factories, hospitals, schools, buildings and houses etc. NEVER fly your aircraft close to people or built up areas.



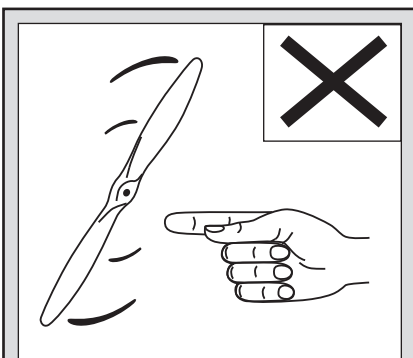
DO NOT dispose of empty fuel containers on a fire, this can lead to an explosion.



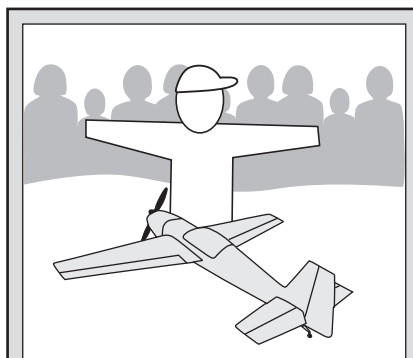
NEVER fly in wet conditions or on windy or stormy days.



NEVER use damaged or deformed propellers or spinners.



THE PROPELLER IS DANGEROUS. Keep fingers, clothing (ties, shirt sleeves, scarves) or any other loose objects that could be caught or drawn in, away from the propeller. Take care at ALL times.



Keep all onlookers (especially small children and animals) well back from the area of operation. This is a flying aircraft, which will cause serious injury in case of impact with a person or animal.

I/C FLYING GUIDELINES

