



KOPS TWO

PRODUCT NAME
KOPS TWO Dining Table

DIMENSIONS
H: 75cm, Ø 119/120cm

GENERAL LEAD TIME
8 to 10 weeks

BRAND
Van Rossum

MATERIAL
Solid French Oak, American Walnut, End Grain or Normal Top, Steel Plate and Base

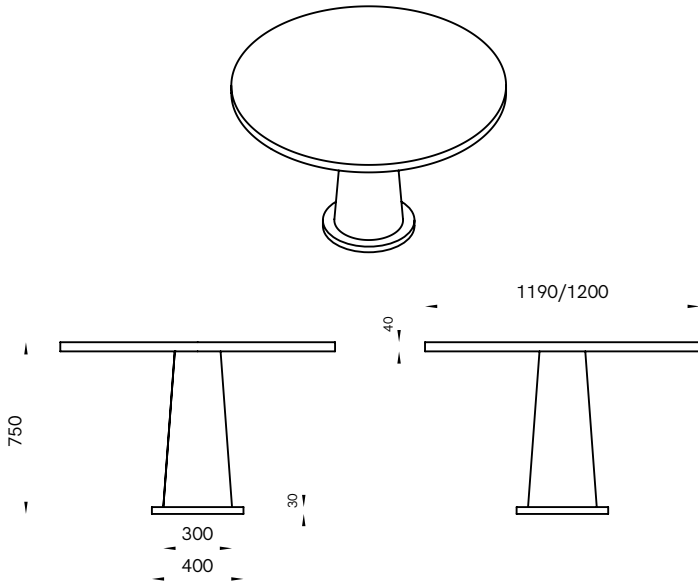
CUSTOMISABLE
Yes

DESIGNER
Marlieke van Rossum

FINISHES

PACKING DIMENSIONS
N/A

CATEGORY
Dining Table INDOOR



Additional Info

The height of the solid end grain table top is about 6 cm.
The height of the solid normal table top is about 5 cm.

End grain tops are exclusively available in oak.

The steel bases and floor plates are protected by a powder coating, available in 4 finishes: matt black, black sable, anthracite and deep bronze. At an additional cost, the base can be finished in any RAL colour.

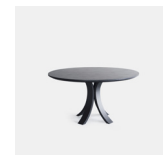
Related Products



KOPS ONE Dining Table



KOPS Coffee Table



KOPS SLIM Dining Table