

FERRUM

PRODUCT NAME

FERRUM Dining Table

BRAND

Van Rossum

DESIGNER

Marlieke van Rossum

CATEGORY

Dining Table INDOOR

DIMENSIONS

H: 74cm, Ø 130/150/170cm

H: 74cm, L: 240/260/280cm, D: 120cm

MATERIAL

Solid French Oak, American Walnut, Cast Iron

GENERAL LEAD TIME

8 to 10 weeks

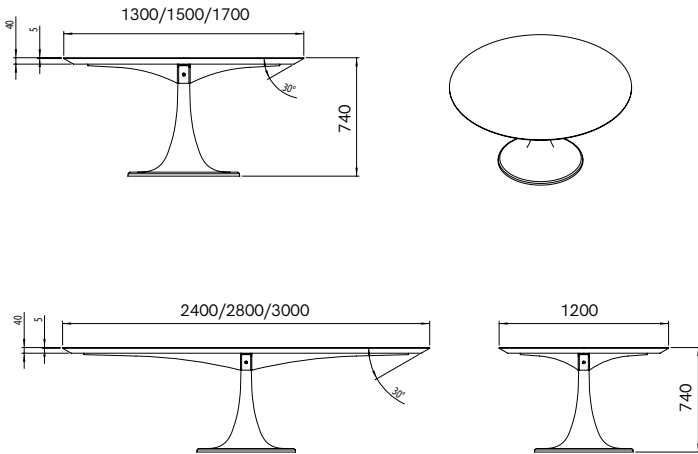
CUSTOMISABLE

Yes

PACKING DIMENSIONS

N/A

FINISHES



Additional Info

The height of the solid table top is about 4cm.

The cast iron trumpet base is protected by a transparent lacquer. At an additional cost, it can be finished in any RAL colour.

The base of FERRUM is hand-moulded, and traditionally cast in sand at an iron foundry. Unevenness in structure and colour is inherent to this process and thus not subject to warranty repair.