

BRACCI

PRODUCT NAME
BRACCI Armchair

DIMENSIONS
H: 76cm, L: 62cm, D: 72cm

GENERAL LEAD TIME
8 to 10 weeks

BRAND
Van Rossum

MATERIAL
Solid French Oak, American Walnut, Upholstery

CUSTOMISABLE
Yes

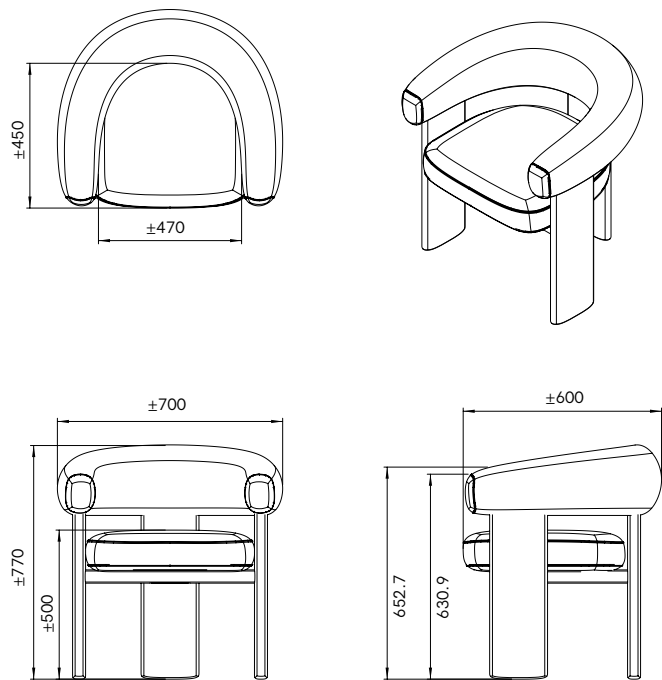
DESIGNER
Pieter Maes

FINISHES



PACKING DIMENSIONS
N/A

CATEGORY
Armchair INDOOR



ADDITIONAL INFO **Fabric Options & Categories**

- Category 1: Standard Fabric
- Category 2: Standard Sierra Leather
- Category 3: Standard Velvet / Divina Leather

Leather usage 3 m²
Fabric usage 230 cm

COM options be approved by Van Rossum to ensure suitability for upholstery.