

# BEAM

PRODUCT NAME

**BEAM Coffee Table**  
Round

BRAND

**Van Rossum**

DESIGNER

**Marlieke van Rossum**

CATEGORY

**Coffee Table** INDOOR

DIMENSIONS

**H: 28cm, Ø 91cm**

MATERIAL

**Solid French Oak, Steel**

FINISHES



GENERAL LEAD TIME

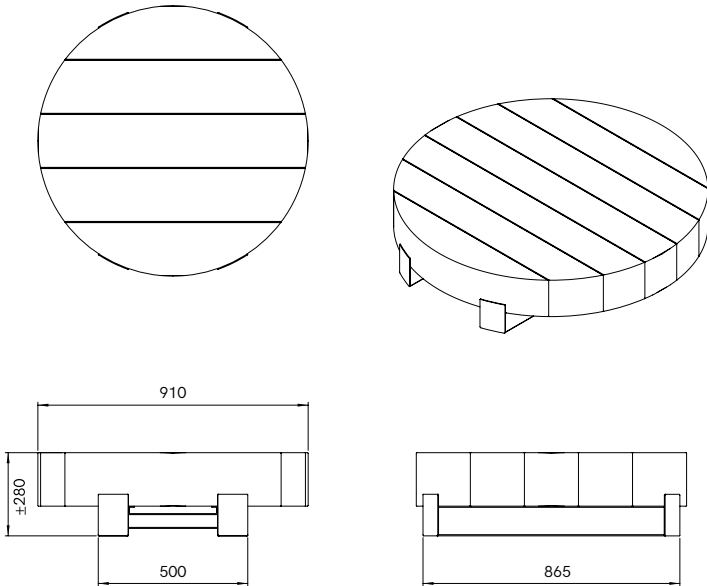
**8 to 10 weeks**

CUSTOMISABLE

**Yes**

PACKING DIMENSIONS

**N/A**



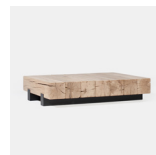
## Additional Info

Beam thickness is about 18.2 x 18.2 cm.

The natural character of the wood is allowed to show through, so not all knots and cracks will be filled.

The steel feet are protected by a powder coating, available in 4 finishes: matt black, black sable, anthracite and deep bronze. At an additional cost, the feet can be finished in any RAL colour.

## Related Products



**BEAM Coffee Table Rectangular**



**BEAM Coffee Table Oval**



**BEAM Console**



**BEAM Dining Table**