

# Costela Armchair

**PRODUCT NAME**

Costela Armchair

**DIMENSIONS**

Armchair - H: 83cm, L: 74cm, D: 80cm  
 Ottoman - H: 40cm, L: 74cm, D: 55cm

**GENERAL LEAD TIME**

8 to 10 weeks

**BRAND**

Tacchini

**MATERIAL**

Wood, Polyurethane, Upholstery

**CUSTOMISABLE**

Yes

**DESIGNER**

Martin Eisler

**OPTIONS**

With or Without Ottoman

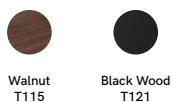
**PACKING DIMENSIONS**

Armchair - 84 x 90 x 93cm / 0.80 m<sup>3</sup>  
 Ottoman - 84 x 65 x 50cm / 0.35 m<sup>3</sup>

**CATEGORY**

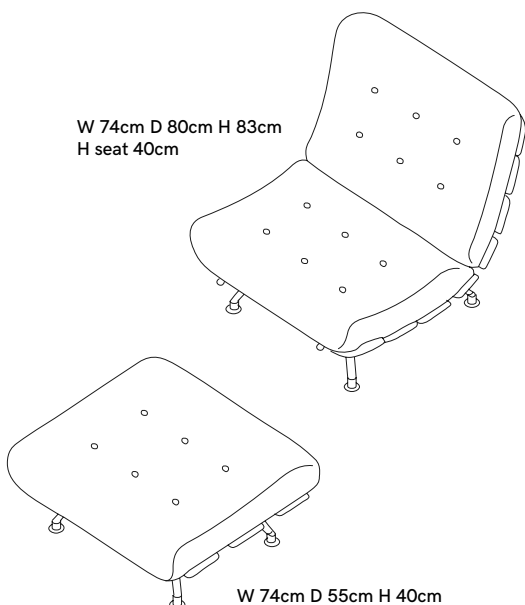
Armchair & Ottoman **INDOOR**

**FINISHES**



**NET WEIGHT**

Armchair - 38kg  
 Ottoman - 28kg



**ADDITIONAL INFO Fabric Options & Categories**

- Category B.: Bamboo, Biola
- Category C.: Cacao, Calantha
- Category D.: Dionea, Dulcamara
- Category M.: Malva, Morus
- Category T.: Tamaya
- Category U.: Ombra, Ulex
- Category V.: Guarana, Mirabilis, Ricinus, Vandelia, Vite
- Category Z.: Aniline, Zahir, Zamia, Zante, Zelkovia, Zinia, Zoe

Fabric usage Armchair 5m / Ottoman 3.5m  
 Leather usage Armchair 9sqm / Ottoman 6.5sqm

COM options must be approved by Tacchini to ensure suitability for upholstery.