

# Pick Up Sticks Armchair

**PRODUCT NAME**

Pick Up Sticks Armchair

**DIMENSIONS**

H: 72cm, L: 68cm, D: 67cm

**GENERAL LEAD TIME**

6 to 8 weeks

**BRAND**

Resident

**MATERIAL**

Solid Oak Frame, Upholstered MDF, Foam

**CUSTOMISABLE**

Yes

**DESIGNER**

Simon James

**FINISHES**



Natural Oak



Black Stain



Umber Stain

**PACKING DIMENSIONS**

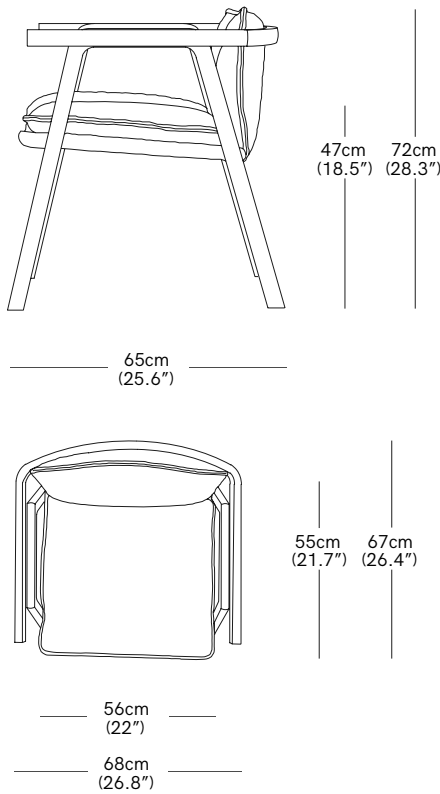
73 x 76 x 76cm (14kg)

**CATEGORY**

Armchair INDOOR

**CERTIFICATIONS**

FSC Certified Wood



**ADDITIONAL INFO Fabric Options & Categories**

- Category One - Maharam Mode / Messenger / COM
- Category Two - Camira Synergy / Mainline Flax
- Category Three - Kvadrat Hallingdal 65 / Sorensen Envy
- Category Four - Sorensen Royal Nubuck

Fabric usage 1.5 meters (1.6 yards) / Leather usage 2.6 meters squared (27.5 feet squared)

COM options must be approved by Resident to ensure suitability for upholstery.