

Offset Dining Table

PRODUCT NAME

Offset Dining Table

DIMENSIONS

H: 74cm, L: 80-280cm, D: 80-120cm

GENERAL LEAD TIME

6 to 8 weeks

BRAND

Resident

MATERIAL

Solid Oak

CUSTOMISABLE

Yes

DESIGNER

Philippe Malouin

FINISHES



Natural Oak

Umber Stain

PACKING DIMENSIONS

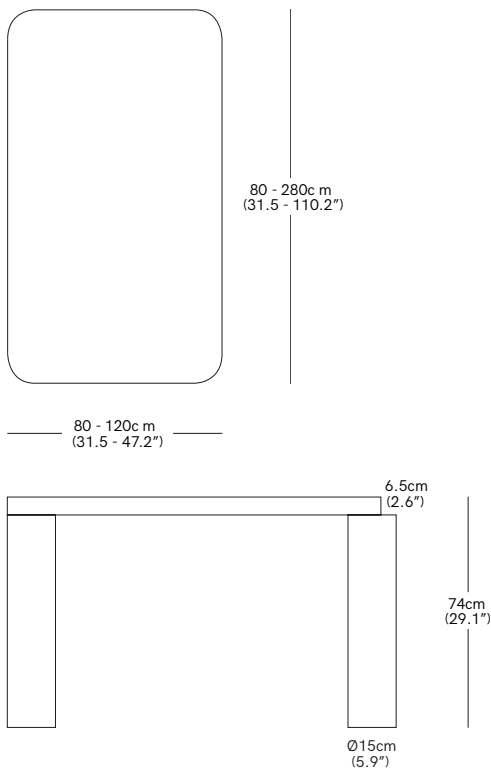
Box dimensions will vary based on table size

CERTIFICATIONS

FSC Certified Wood

CATEGORY

Dining Table INDOOR



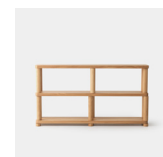
Related Products



Offset Stool / Side Table



Offset Coffee Table



Offset Shelf



Offset Bench