



Kashmir Chair

PRODUCT NAME

Kashmir Chair

DIMENSIONS

H: 75cm, L: 62.5cm, D: 42cm

GENERAL LEAD TIME

6 to 8 weeks

BRAND

Resident

MATERIAL

Upholstered MDF, Foam, Steel

CUSTOMISABLE

Yes

DESIGNER

Simon James

FINISHES



Black Base

PACKING DIMENSIONS

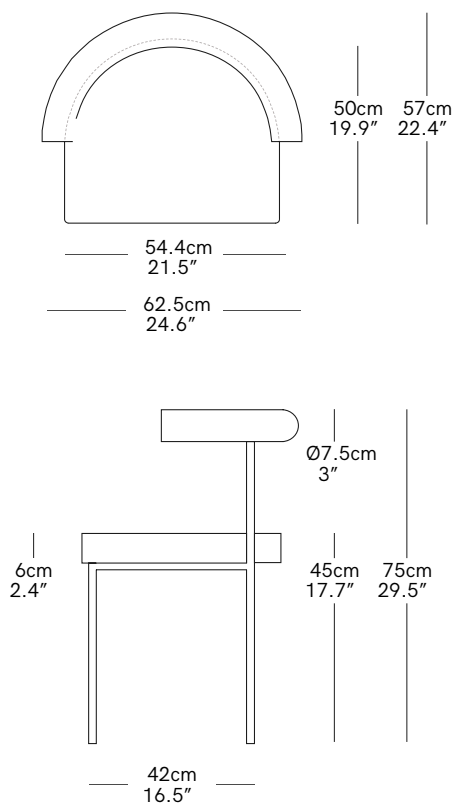
59 x 64 x 80cm (14.8kg)

CATEGORY

Chair INDOOR

CERTIFICATIONS

CAL 117-2013, BS 5852 Crib 5, EN 1021-1 EN 1021-9



ADDITIONAL INFO **Fabric Options & Categories**

- Category One - Maharam Mode / Messenger / COM
- Category Two - Camira Synergy / Mainline Flax
- Category Three - Kvadrat Hallingdal 65 / Sorensen Envj
- Category Four - Sorensen Royal Nubuck

Fabric usage 1 m (1.1 yd) / Leather usage 1.7 m2 (18.3 ft2)

COM options must be approved by Resident to ensure suitability for upholstery.

Related Products



Kashmir Bar Stool

NEED MORE HELP?

If you require a quotation or more information about this product or brand, please get in touch with our team:

GENERAL ENQUIRIES
info@monologuelondon.com

CONTRACT ENQUIRIES
contracts@monologuelondon.com

ONLINE STORE
www.monologuelondon.com
@monologuelondon