



Kashmir Bar Stool

PRODUCT NAME

Kashmir Bar Stool

BRAND

Resident

DESIGNER

Simon James

CATEGORY

Bar & Counter Stool INDOOR

DIMENSIONS

Counter Stool - H: 86cm, L: 49.5cm, D: 50cm
Bar Stool - H: 96cm, L: 49.5cm, D: 50cm

MATERIAL

Upholstered MDF, Foam, Steel

FINISHES



Matt Black Frame

GENERAL LEAD TIME

6 to 8 weeks

CUSTOMISABLE

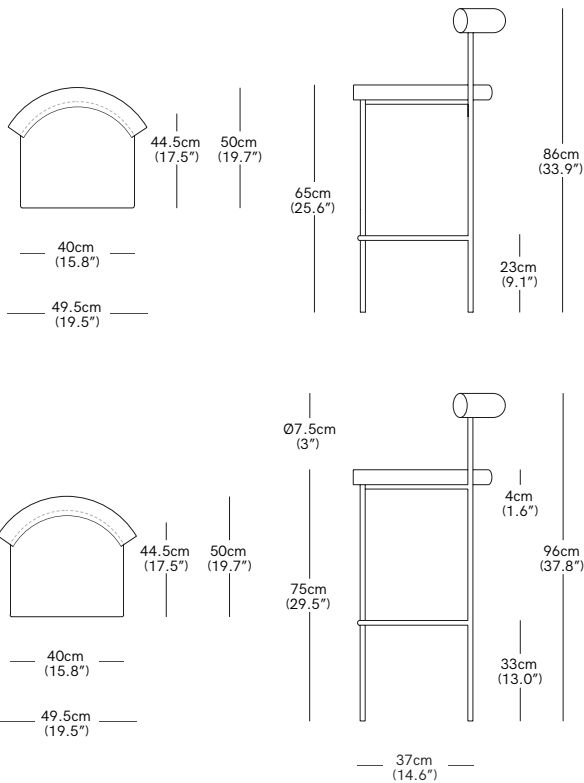
Yes

PACKING DIMENSIONS

54 x 55 x 100cm (13kg)
54 x 55 x 110cm (15.6kg)

CERTIFICATIONS

CAL 117-2013, BS 5852 Crib 5, EN 1021-1 EN 1021-9



ADDITIONAL INFO Fabric Options & Categories

- Category One - Maharam Mode / Messenger / COM
- Category Two - Camira Synergy / Mainline Flax
- Category Three - Kvadrat Hallingdal 65 / Sorensen Envj
- Category Four - Sorensen Royal Nubuck

Fabric usage 1 m (1.1 yd) / Leather usage 1.7 m2 (18.3 ft2)

COM options must be approved by Resident to ensure suitability for upholstery.

Related Products



Kashmir Chair

NEED MORE HELP?

If you require a quotation or more information about this product or brand, please get in touch with our team:

GENERAL ENQUIRIES
 info@monologuelondon.com

CONTRACT ENQUIRIES
 contracts@monologuelondon.com

ONLINE STORE
 www.monologuelondon.com

©
 @monologuelondon