

# Jiro Bar Stool

**PRODUCT NAME**

Jiro Bar Stool

**BRAND**

Resident

**DESIGNER**

John Tree

**CATEGORY**

Bar Stool <sup>INDOOR</sup>

**DIMENSIONS**

Counter Stool - H: 88cm, SH: 66cm, L: 48.5cm, D: 48.5cm  
 Bar Stool - H: 99.5cm, SH: 77.5cm, L: 48.5cm, D: 48.5cm

**MATERIAL**

Aluminium, Oak Veneer, Upholstered Foam Pad

**OPTIONS**

Non-Upholstered or Upholstered Seat

**FINISHES**



**GENERAL LEAD TIME**

6 to 8 weeks

**CUSTOMISABLE**

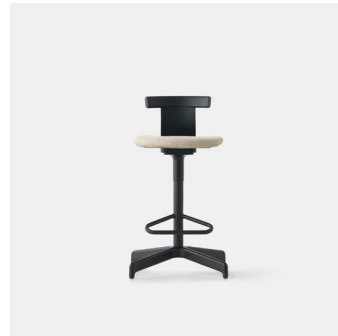
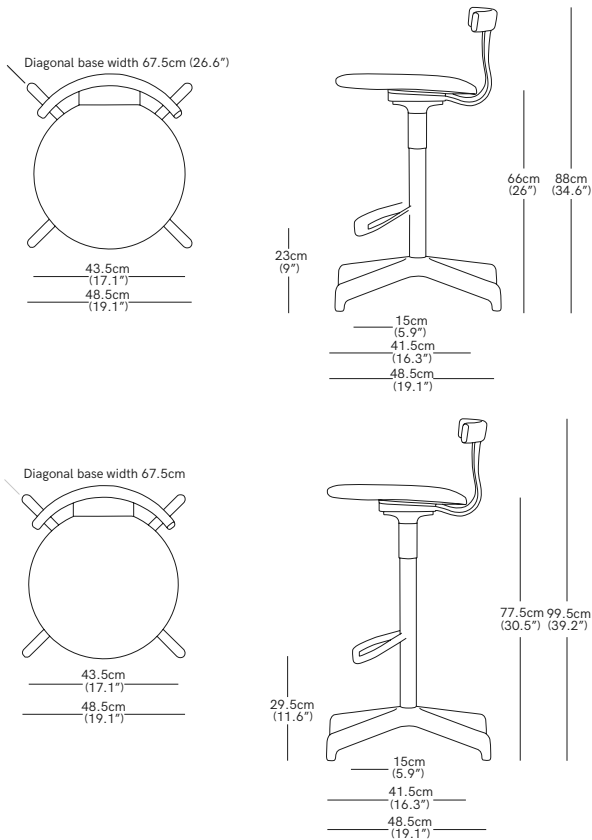
Yes

**PACKING DIMENSIONS**

53 x 53 x 95cm (11.4kg)  
 53 x 53 x 107cm (12.3kg)

**CERTIFICATIONS**

CAL 117-2013, BS 5852 Crib 5, EN 1021-1 EN 1021-5, FSC Certified Wood



**ADDITIONAL INFO Fabric Options & Categories**

Category One - Maharam Mode / COM  
 Category Two - Camira Synergy / Mainline Flax  
 Category Three - Kvadrat Hallingdal 65 / Sorensen Envj

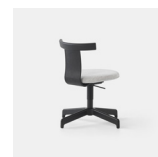
Fabric usage 0.7 m (0.8 yd) / Leather usage 1.2 m2 (12.9 ft2)

COM options must be approved by Resident to ensure suitability for upholstery.

**Related Products**



Jiro Chair



Jiro Desk Chair



Jiro Bistrot Table