



Isabella Armchair

PRODUCT NAME

Isabella Armchair

DIMENSIONS

H: 69cm, L: 67cm, D: 55cm

GENERAL LEAD TIME

6 to 8 weeks

BRAND

Resident

MATERIAL

Upholstered MDF and Foam, Steel

CUSTOMISABLE

Yes

DESIGNER

Simon James

FINISHES



Black Base

PACKING DIMENSIONS

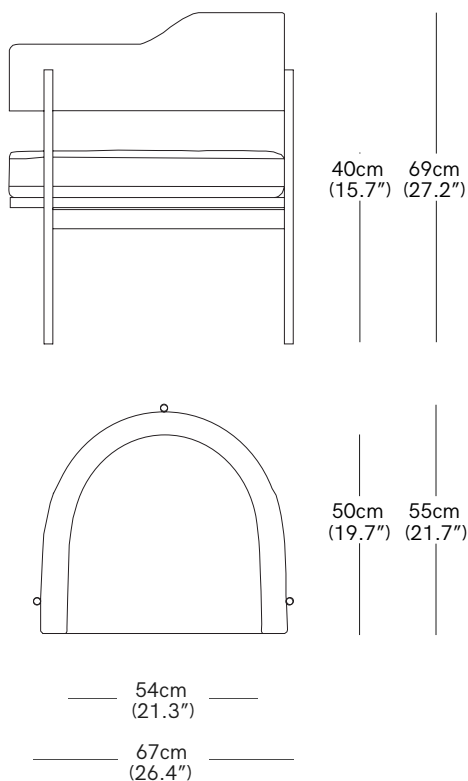
65 x 76 x 78cm (19kg)

CATEGORY

Armchair INDOOR

CERTIFICATIONS

CAL 117-2013, BS 5852 Crib 5, EN 1021-1 EN 1021-4



ADDITIONAL INFO Fabric Options & Categories

- Category One - Maharam Mode / Messenger / COM
- Category Two - Camira Synergy / Mainline Flax
- Category Three - Kvadrat Hallingdal 65 / Sorensen Envoy
- Category Four - Sorensen Royal Nubuck / Maharam Mohair Supreme

Fabric usage 2.5 m (2.75 yd) / Leather usage 4.3 m² (46.5 ft²)

COM options must be approved by Resident to ensure suitability for upholstery. Split Upholstery is available.