

# Unio Armchair

PRODUCT NAME

Unio

DIMENSIONS

H: 72cm, L: 75cm, D: 75cm

GENERAL LEAD TIME

10 to 12 weeks

BRAND

Poiat

MATERIAL

Fully Upholstered Plywood, Commercial Grade Foam, Solid Ash, Rubio Monocoat Finishing

CUSTOMISABLE

Yes

DESIGNER

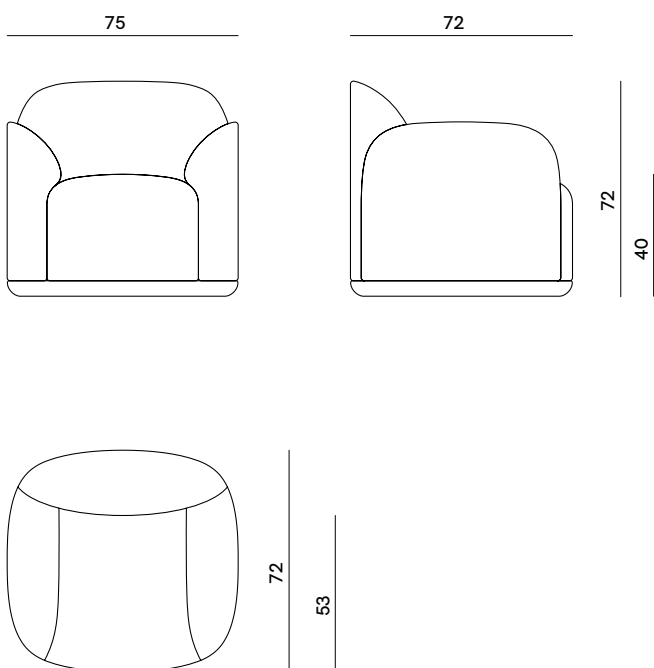
Timo Mikkonen & Antti Rouhunkoski

PACKING DIMENSIONS

N/A

CATEGORY

Armchair INDOOR



ADDITIONAL INFO **Fabric Options & Categories**

- Fabric Group 1: Yang by Chivasso, Tsuga by Larsen
- Fabric Group 3: Martingana by Zinc, Baltazar by Pierre Frey, Wrangell by Larsen, Einede by Dedar
- Fabric Group 4: Karakorom by Dedar, Aut Aut by Dedar

Fabric usage 4 meters based on 140 cm roll.

COM options must be approved by Poiat to ensure suitability for upholstery.

**Related Products**



Unio Sofa