

# Tango One

**PRODUCT NAME**

Tango One

**BRAND**

Paul Matter

**DESIGNER**

Paul Matter

**CATEGORY**

Pendant Lamp <sup>INDOOR</sup>

**DIMENSIONS**

D: 26.67cm (Subject to Dome Angle), Height to order

**MATERIAL**

Brass

**FINISHES**

Burnt Brass with Aged Brass / Buff Brass with Buff Brass details

**LIGHT SOURCE & VOLTAGE**

1 Type E27 Medium Base | 40W Incandescent | 220V-240V | Warm White

**CONTROL**

Dimmable

**GENERAL LEAD TIME**

8 to 10 weeks

**CUSTOMISABLE**

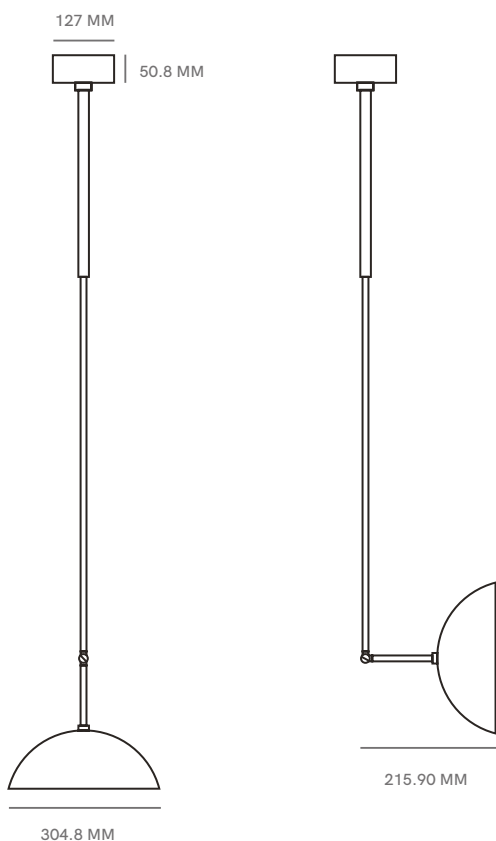
Yes

**PACKING DIMENSIONS**

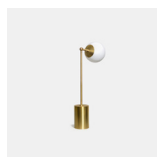
N/A

**CERTIFICATIONS**

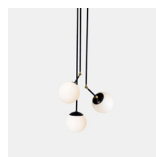
CE Certified



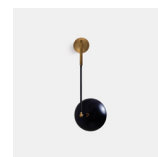
## Related Products



Tango Table



Tango Pendant - Etched Glass



Tango Sconce



# Tango Two

**PRODUCT NAME**

Tango Two

**DIMENSIONS**

D: 58.44cm (Subject to Dome Angle), Height to order

**CONTROL**

Dimmable

**BRAND**

Paul Matter

**MATERIAL**

Brass

**GENERAL LEAD TIME**

8 to 10 weeks

**DESIGNER**

Paul Matter

**FINISHES**

Burnt Brass with Aged Brass / Buff Brass with Buff Brass details

**CUSTOMISABLE**

Yes

**CATEGORY**

Pendant Lamp <sup>INDOOR</sup>

**LIGHT SOURCE & VOLTAGE**

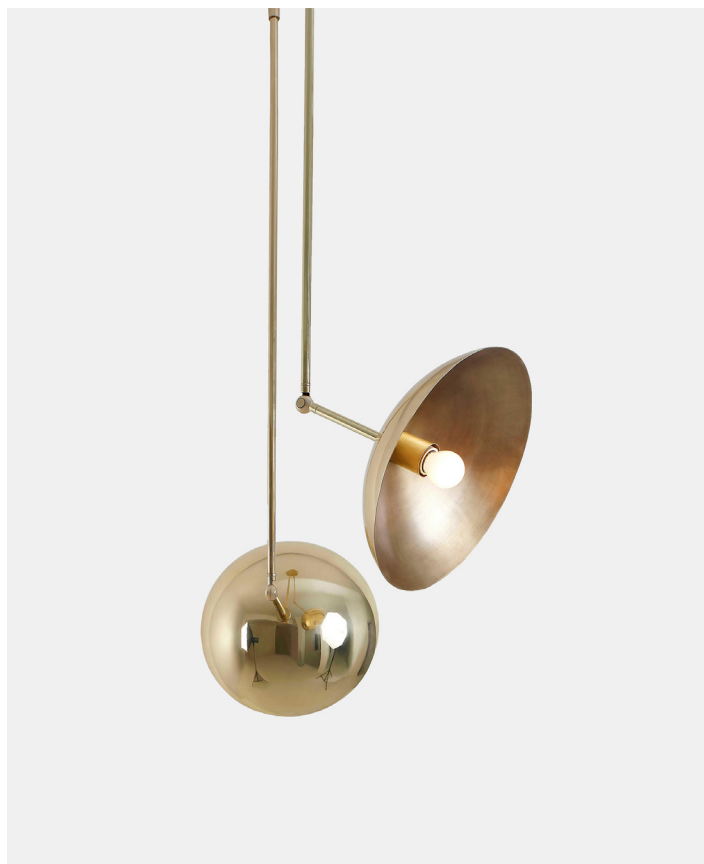
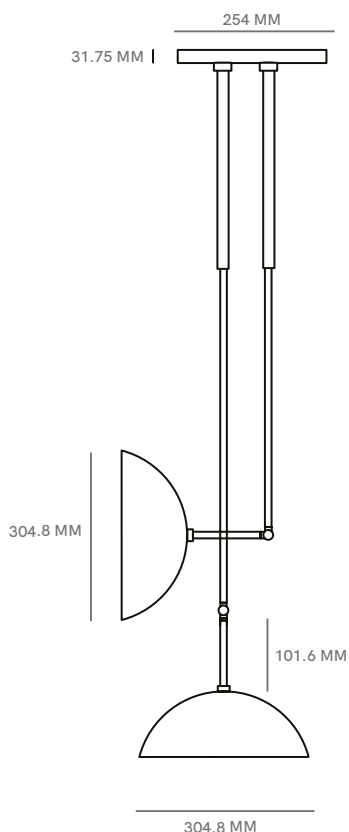
2 Type E27 Medium Base | 40W Incandescent | 220V-240V | Warm White

**PACKING DIMENSIONS**

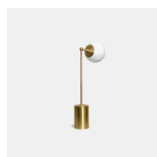
N/A

**CERTIFICATIONS**

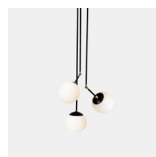
CE Certified



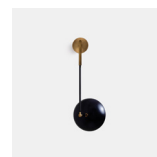
### Related Products



Tango Table



Tango Pendant - Etched Glass



Tango Sconce

**NEED MORE HELP?**

If you require a quotation or more information about this product or brand, please get in touch with our team:

GENERAL ENQUIRIES  
info@monologuelondon.com

CONTRACT ENQUIRIES  
contracts@monologuelondon.com

ONLINE STORE  
www.monologuelondon.com  
@monologuelondon

# Tango Three

PRODUCT NAME  
**Tango Three**

DIMENSIONS  
**D: 64.67cm (Subject to Dome Angle), Height to order**

CONTROL  
**Dimmable**

BRAND  
**Paul Matter**

MATERIAL  
**Brass**

GENERAL LEAD TIME  
**8 to 10 weeks**

DESIGNER  
**Paul Matter**

FINISHES  
**Burnt Brass with Aged Brass / Buff Brass with Buff Brass details**

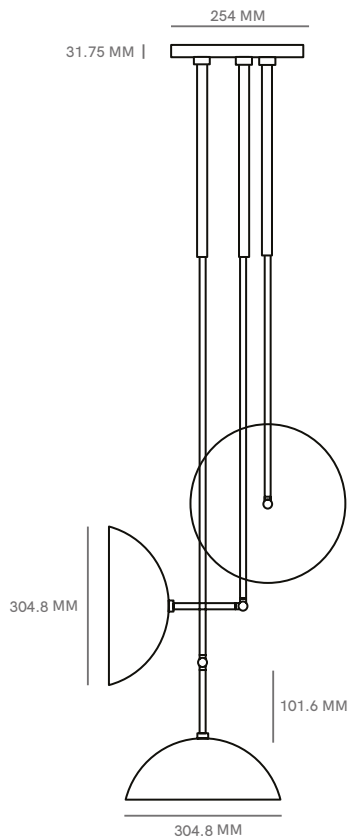
CUSTOMISABLE  
**Yes**

CATEGORY  
**Pendant Lamp <sup>INDOOR</sup>**

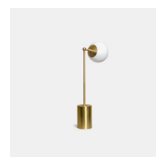
LIGHT SOURCE & VOLTAGE  
**3 Type E27 Medium Base | 40W Incandescent | 220V-240V | Warm White**

PACKING DIMENSIONS  
**N/A**

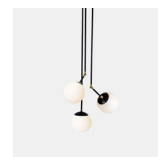
CERTIFICATIONS  
**CE Certified**



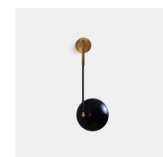
## Related Products



Tango Table



Tango Pendant -  
Etched Glass



Tango Sconce