



# FDC1 Lounge Chair

PRODUCT NAME  
FDC1 Lounge Chair

DIMENSIONS  
H: 81cm, W: 78cm, D: 70cm

GENERAL LEAD TIME  
6 to 8 weeks

BRAND  
Objekto

MATERIAL  
Powder Coated Carbon Steel, Full Grain Aniline Vegetal Tanned Leather

CUSTOMISABLE  
No

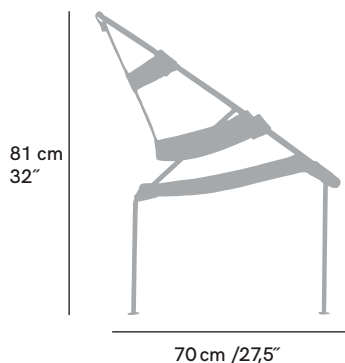
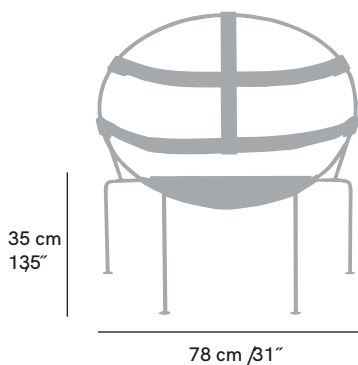
DESIGNER  
Flavio de Carvalho

FINISHES

			
Black Powder Coated Carbon Steel	Leather Black	Leather Aubrac	Leather London

PACKING DIMENSIONS  
N/A

CATEGORY  
Lounge Chair INDOOR



## ADDITIONAL INFO Fabric Options & Categories

Note: The leather is full grain, which means that its natural surface structure has been preserved and all natural markings are visible. Natural markings are the hallmarks of the animal's active life and give the piece of furniture a unique sense of character.